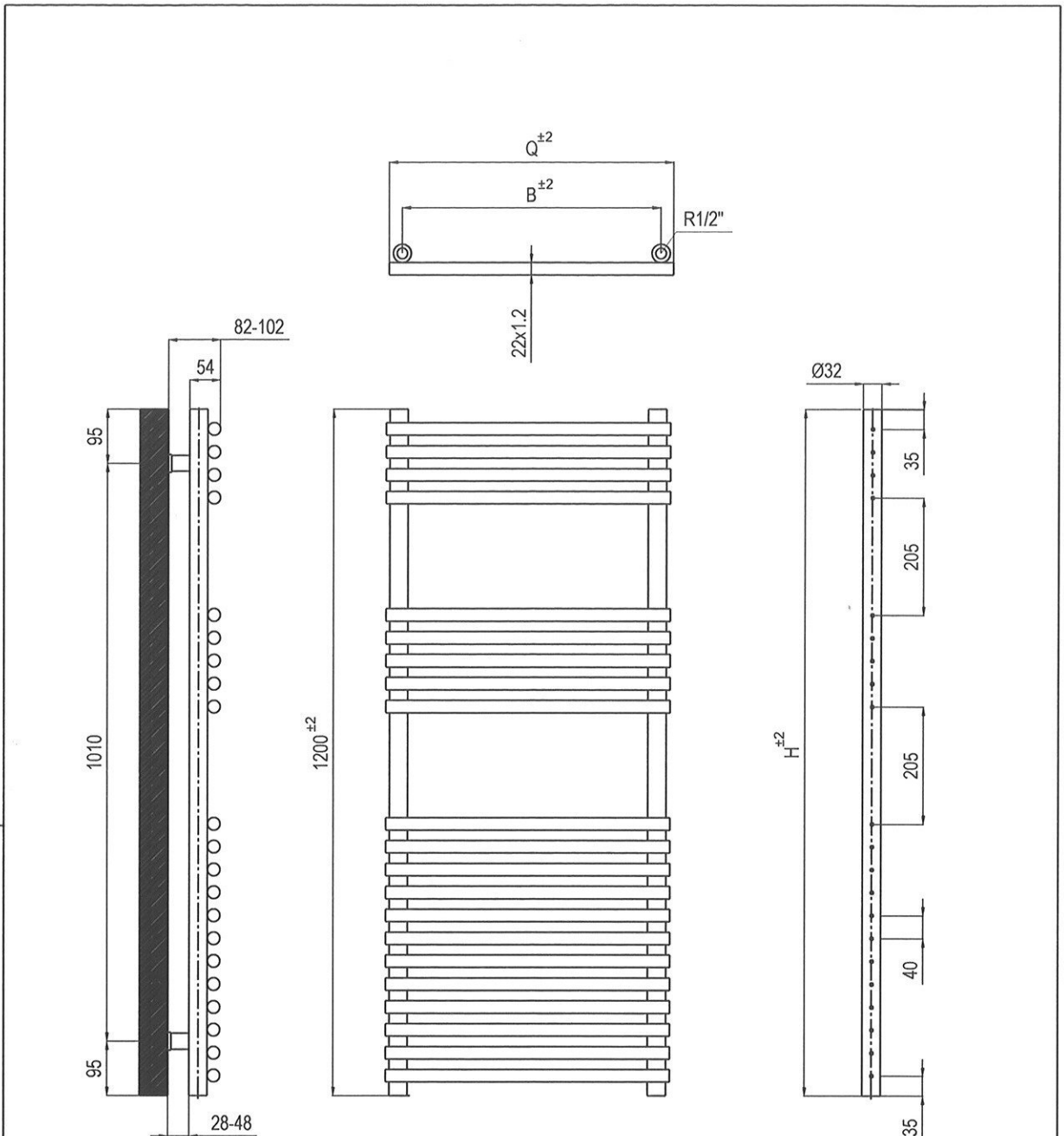


DO NOT TAKE ANY DIMENSION FROM THE DRAWING



WITHD Q	DISTANCE OF AXES B	PROFIL LENGHT H	NUMBER OF PIPE	DIAMETER OF PIPE
600	555	1200	21	$\varnothing 22 \times 1.2$

	Date	Name	Material	
Drawer				
Controler				
Approval				
Degree	SANICARE TOT 1200			
1/10				
Dimension without tolerance	0 - 30 mm.	± 0.2	180-500 mm.	± 0.5
	30-180 mm	± 0.4	500-3000 mm.	± 1

SANICARE

DRAWING NO

A 4

