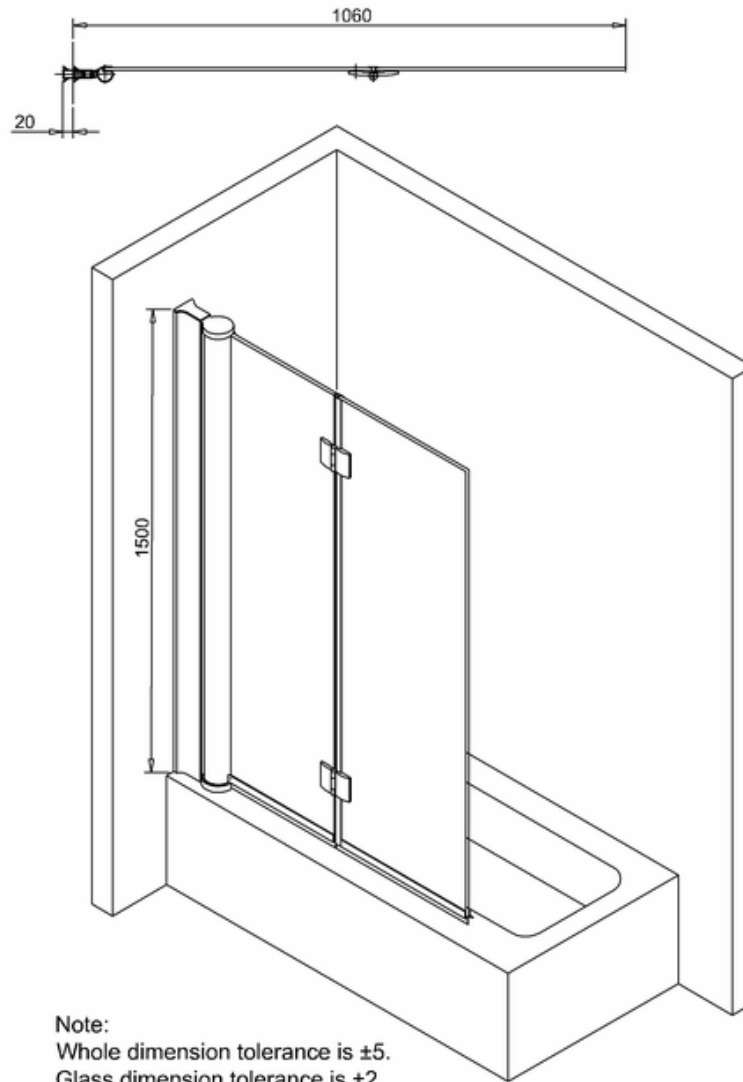


DBVSC1060+ - View Bath Screen



Note:
Whole dimension tolerance is ± 5 .
Glass dimension tolerance is ± 2 .