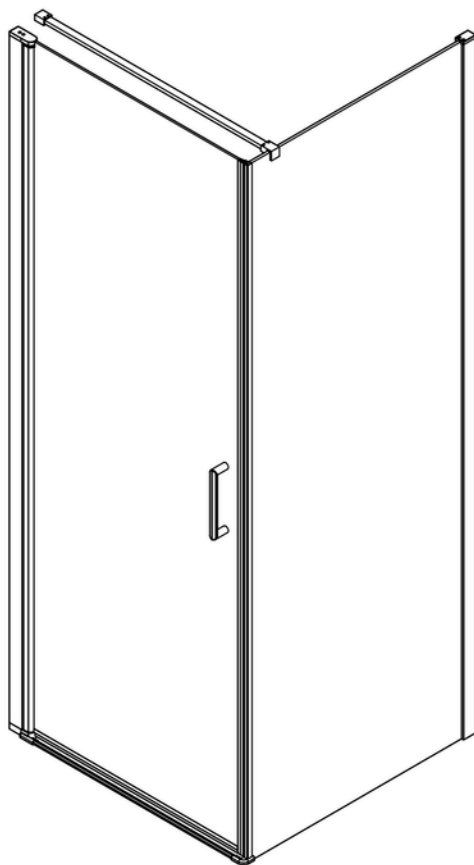


INSTALLATION INSTRUCTIONS



fortifura



GENERAL INFORMATION

Please inspect the product immediately upon receipt for transit damage, missing packs/parts or manufacturing fault. Damage reported later cannot be accepted. Please handle the product with care avoiding knocks and shock loading to all sides and edges of the glass.

NOTES: Safety glass can not be re-worked

Please read these instructions carefully before start of installation.

Special care should be taken when drilling walls to avoid hidden pipes or electrical cables.

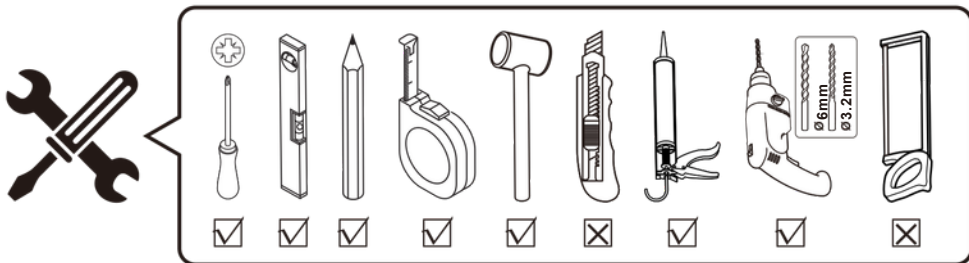
Note: This product is heavy and may require two people to install.

AFTERCARE INSTRUCTIONS

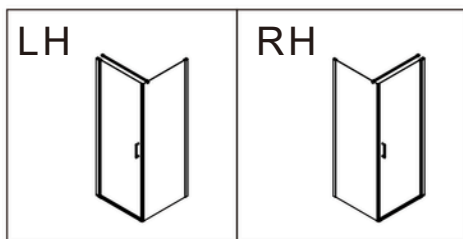
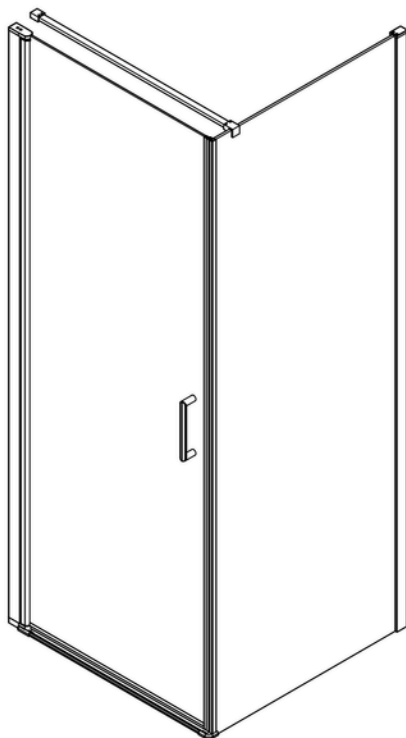
After use, your shower should be cleaned with soap and water. This is particularly important in hard water districts where insoluble lime salts may be deposited and allowed to build up. Cleaners of a gritty or abrasive nature should not be used. Care should be taken to avoid contact with strong chemicals such as organic solvents and strippers.

Class cleaners can be used but with caution, if in doubt contact the manufacturer of the cleaner in question.

Please keep these instructions for aftercare and customer service details.



Shower Enclosure





Box -1



[01] x2



[02] x1



[03] x1



6mm

[04] x1



[05] x1



[06] x1



[07] x1



[08A] x1



[08B] x1



[09] x2



[10A] x1



[10B] x1



[11] x8



[12] x8



[13] x8



[14] x8



[15] x1

Additional hardwares



[16] x1



[17A] x1



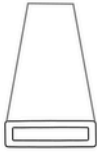
[17B] x1



Box -2



[18] x1



[19] x1



[20] x1



[21] x1



[22] x1



[23] x1



[24] x4



ST4x16

[25] x2



[26] x4

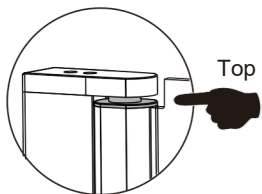
ST4x30



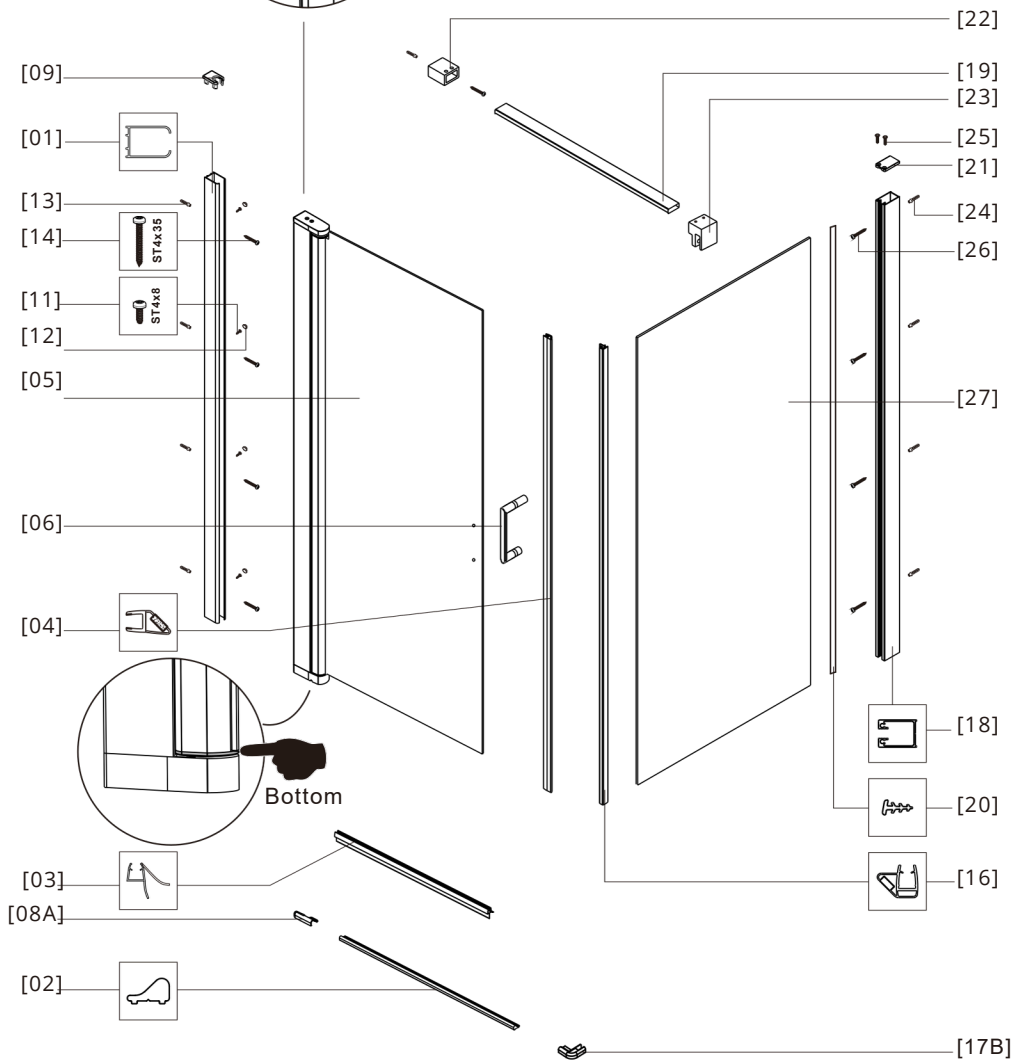
Box -3



[27] x1



Top



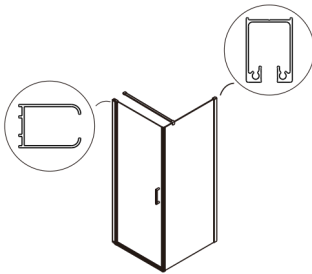


01

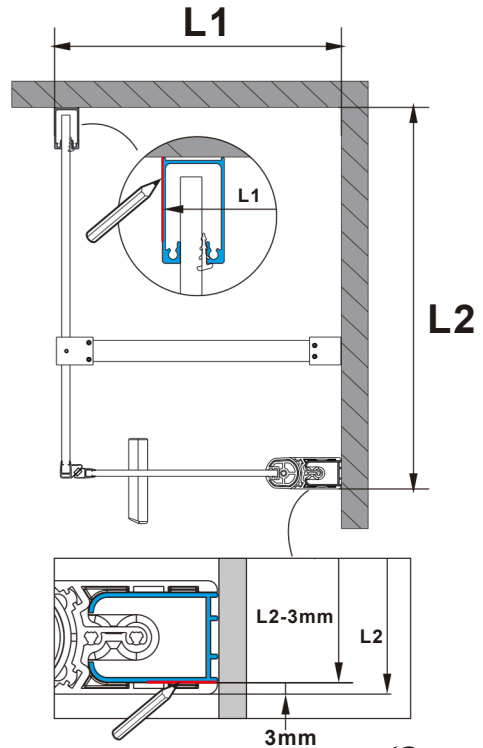
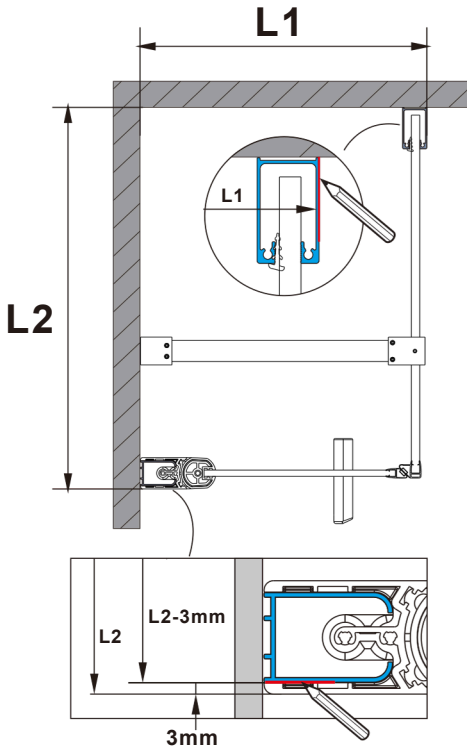
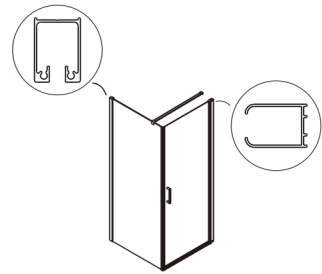
Size (mm)	L1	
	Min.	Max.
600	554	574
700	654	674
800	754	774
900	854	874
1000	954	974

Size (mm)	L2	
	Min.	Max.
800	780	805
900	880	905
1000	980	1005
1100	1080	1105
1200	1180	1205
1400	1380	1405
1600	1580	1605
1800	1780	1805

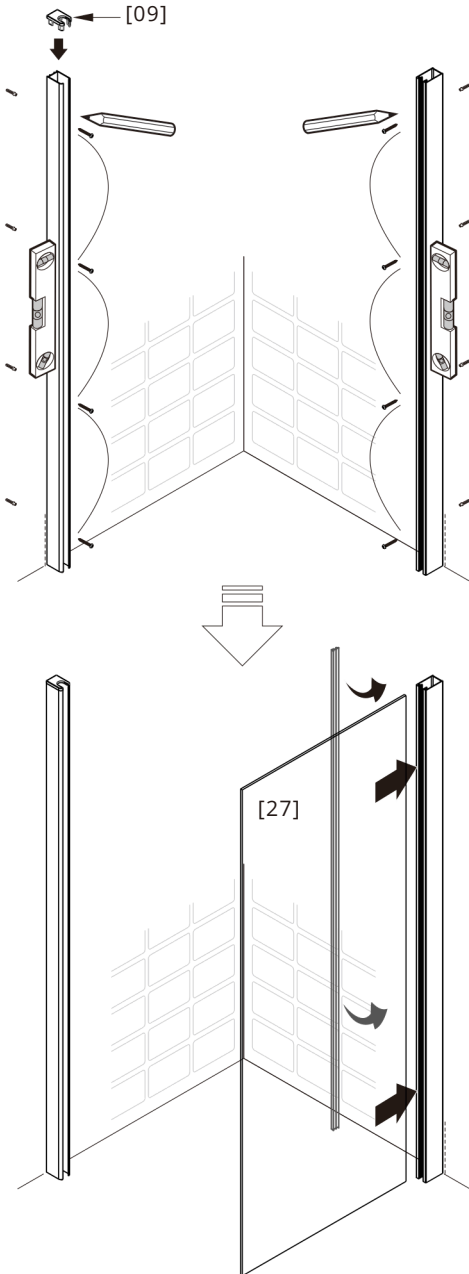
LH



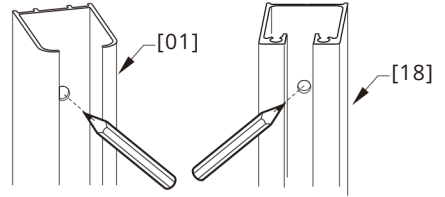
RH



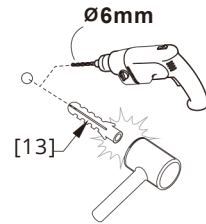
02



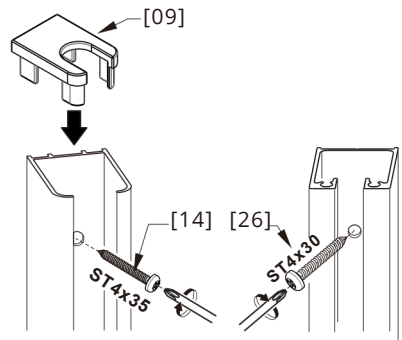
2.1



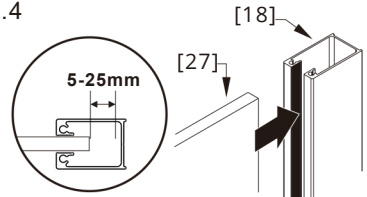
2.2



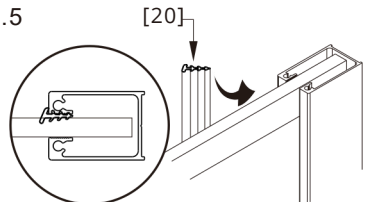
2.3



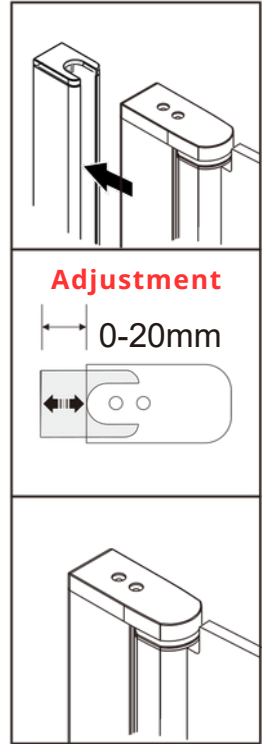
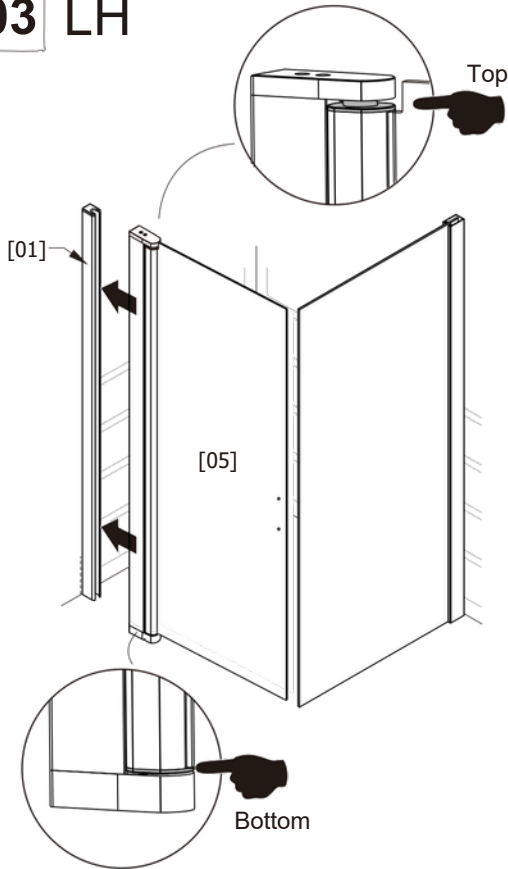
2.4



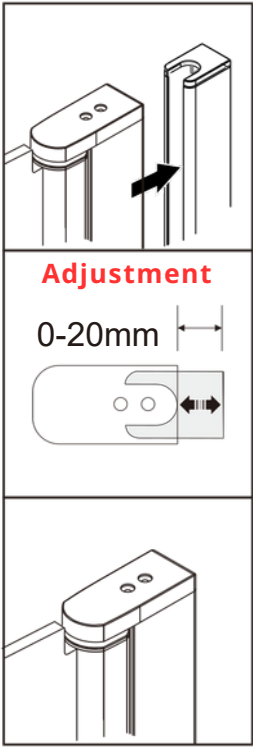
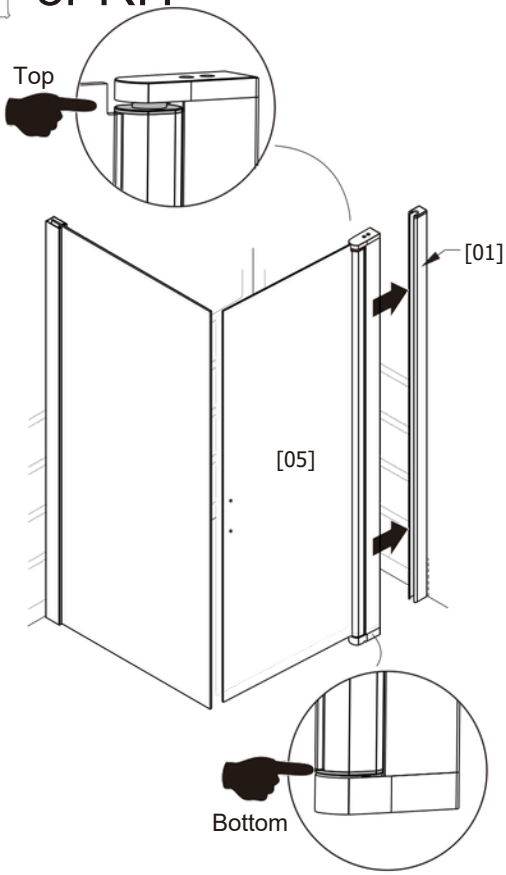
2.5



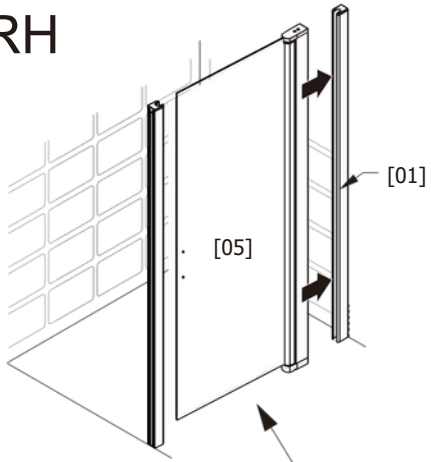
03 LH



03b or RH

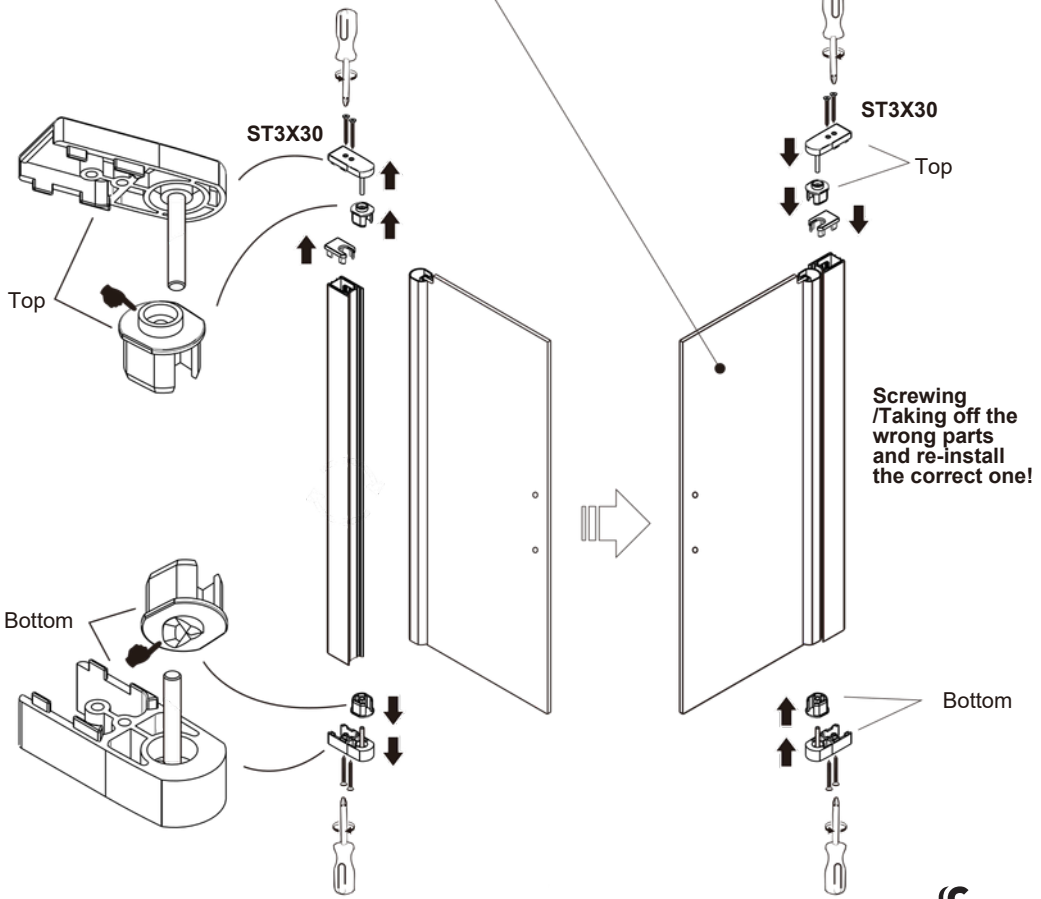


03c RH

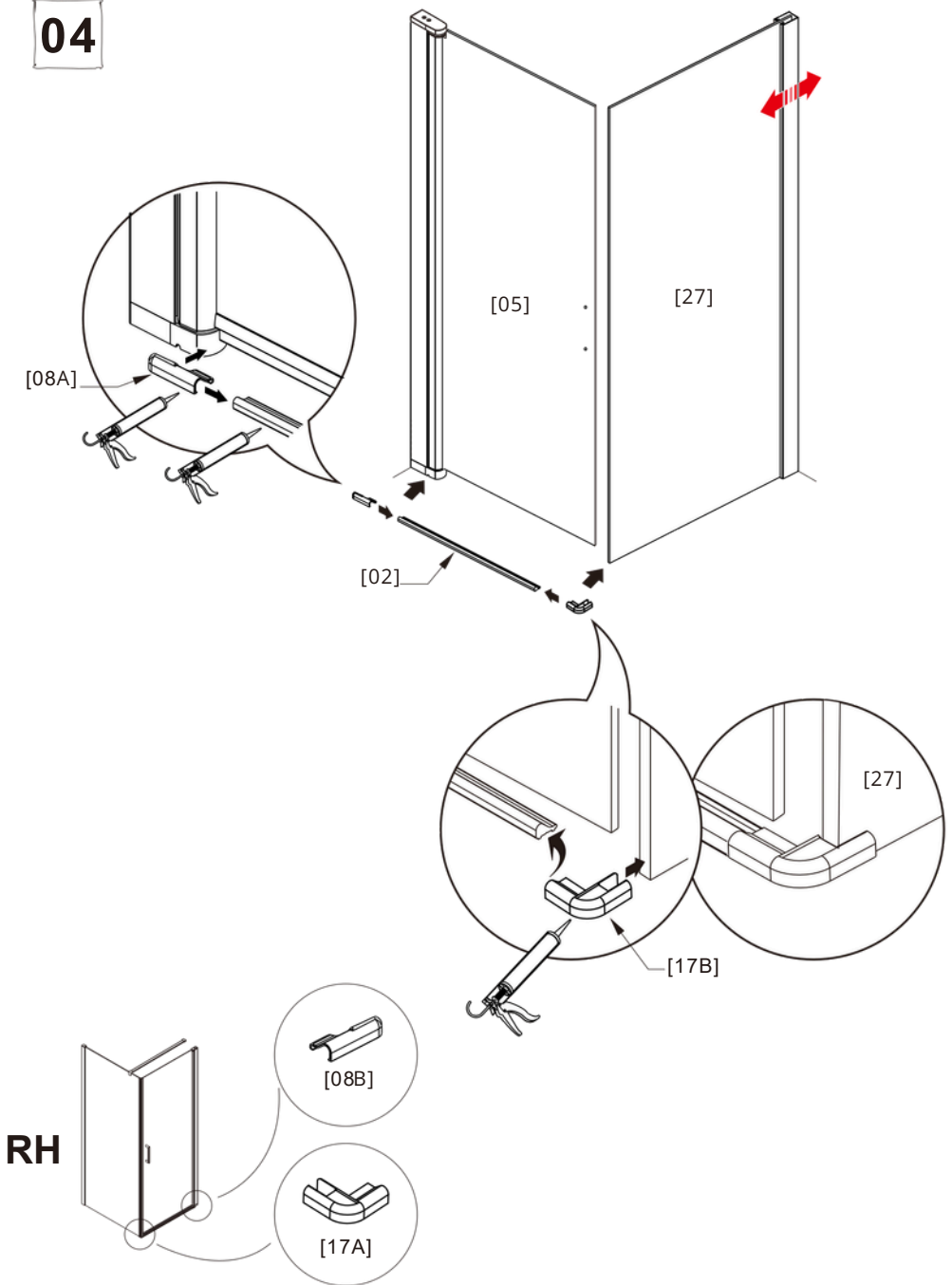




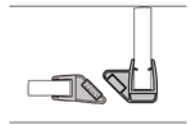
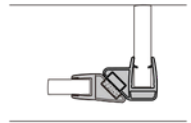
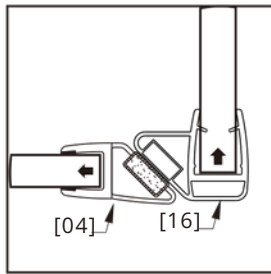
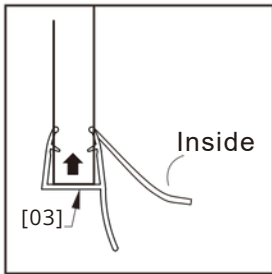
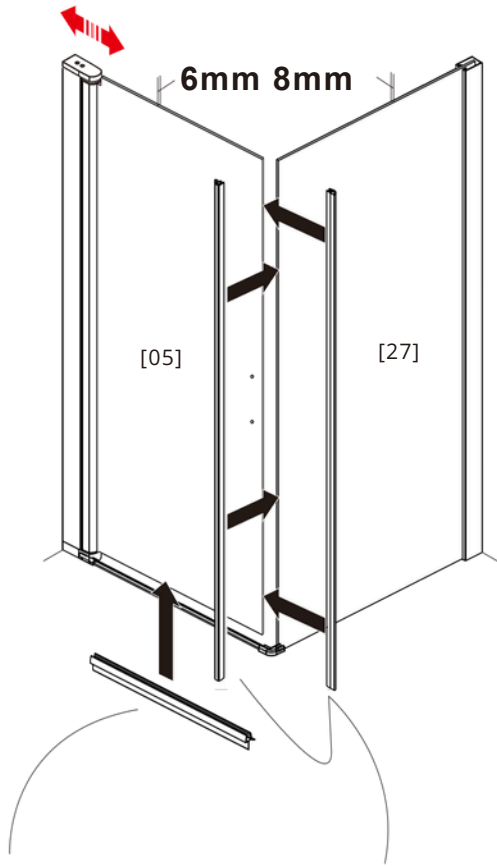
**Please note:
Screw holes
must be on
the inside of
the shower
door**

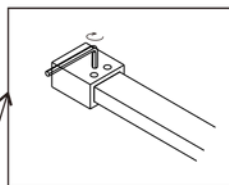
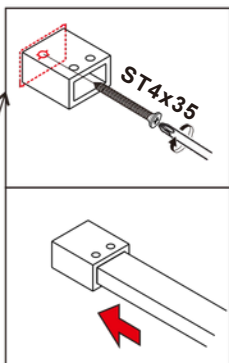
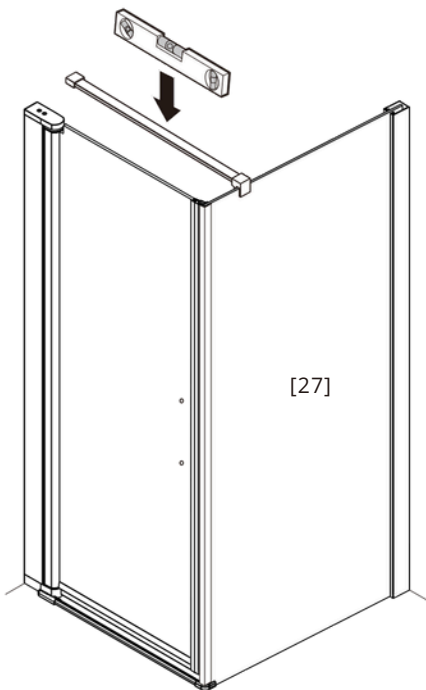
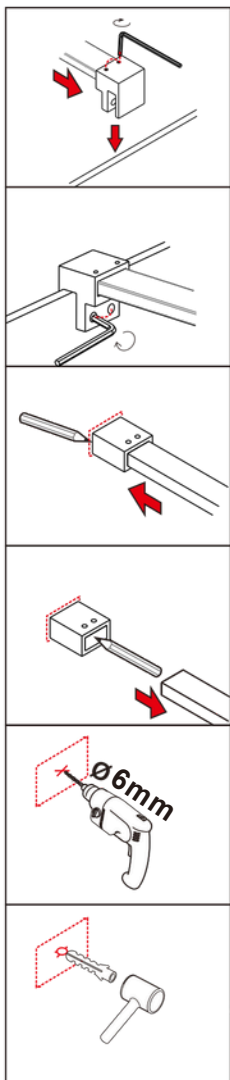
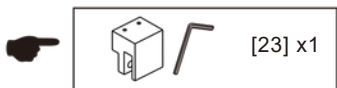
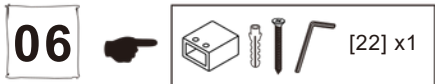


04

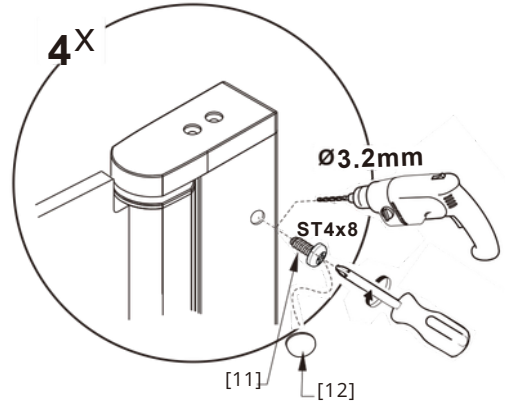
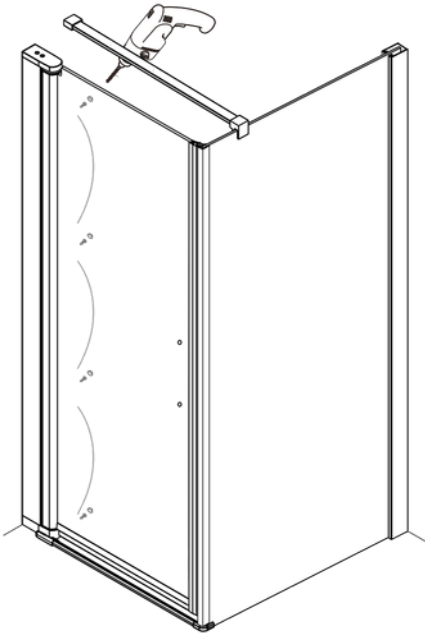


05

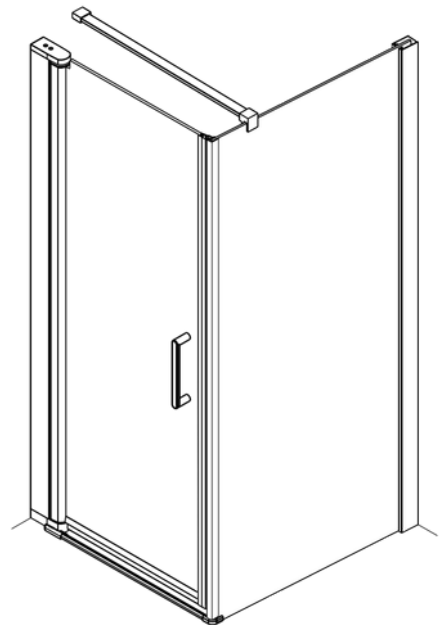
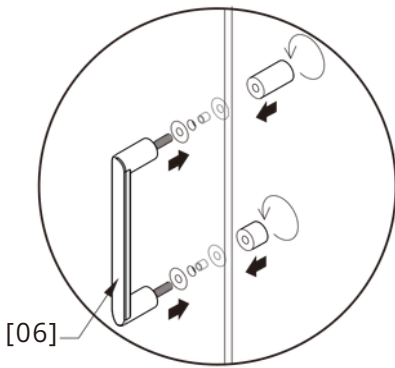




07



08



09

