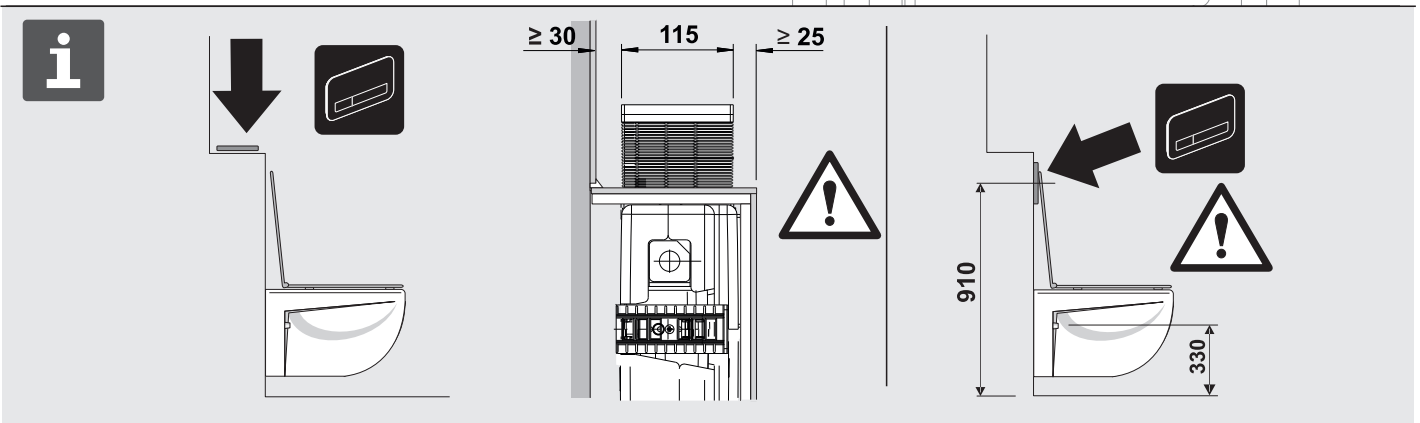
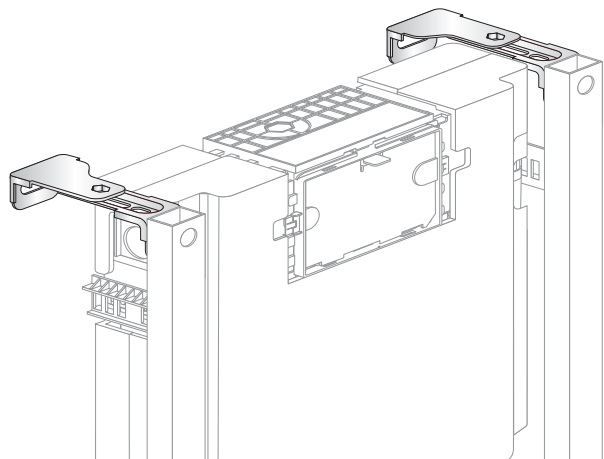
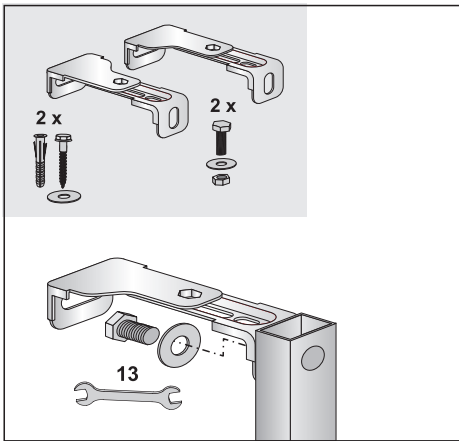
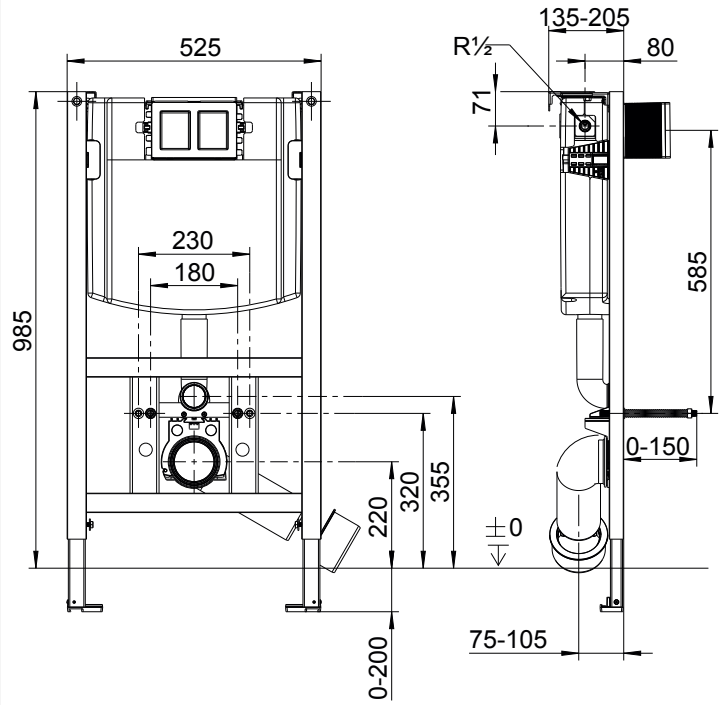
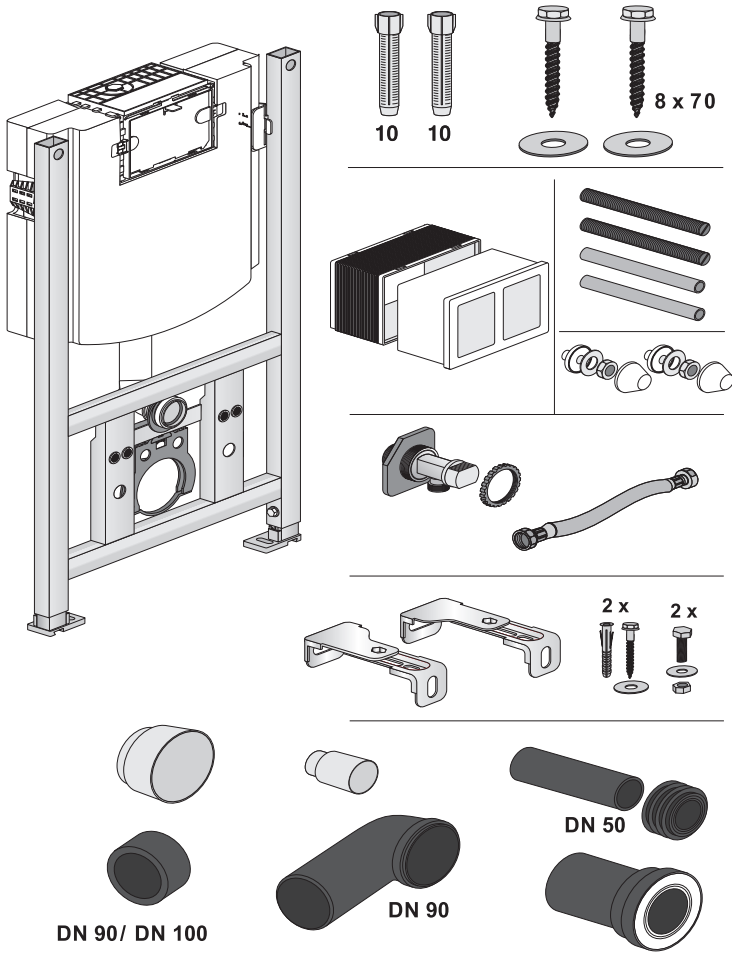
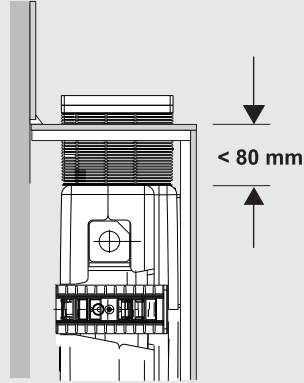
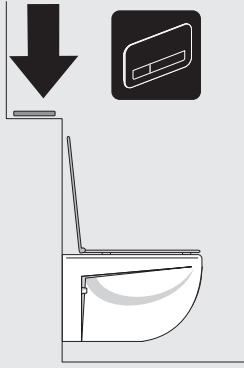
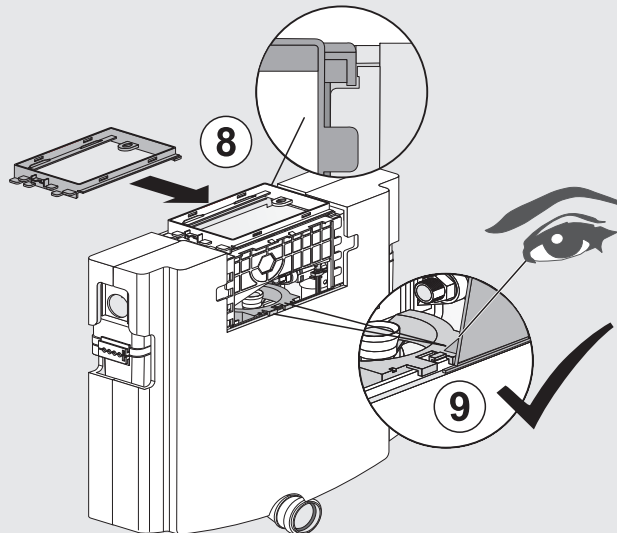
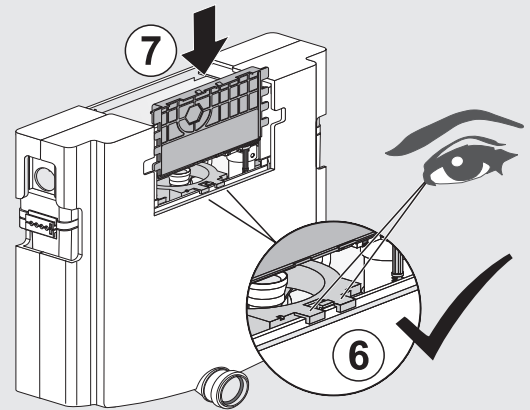
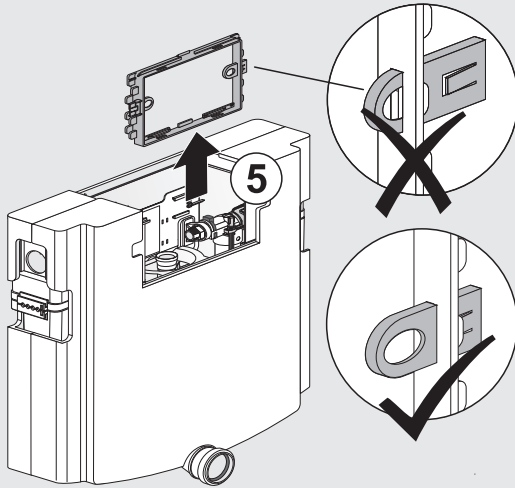
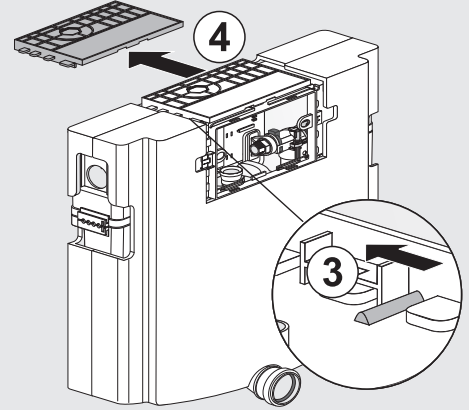
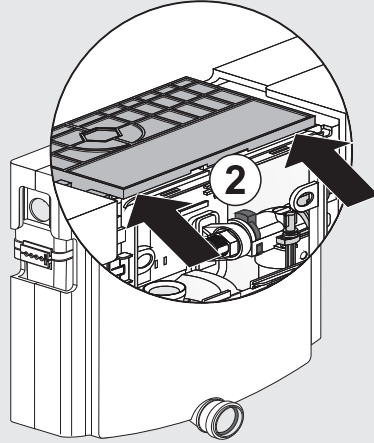
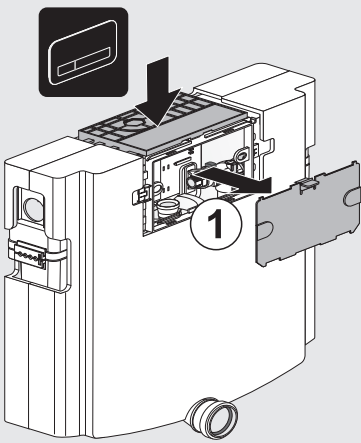


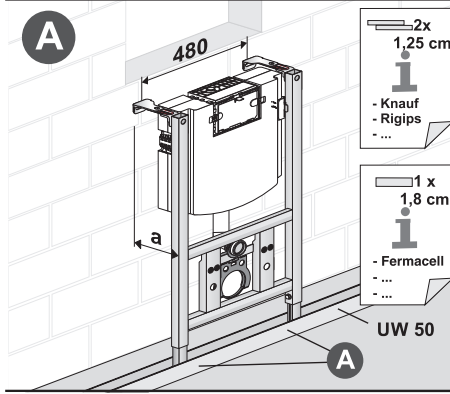
[mm]



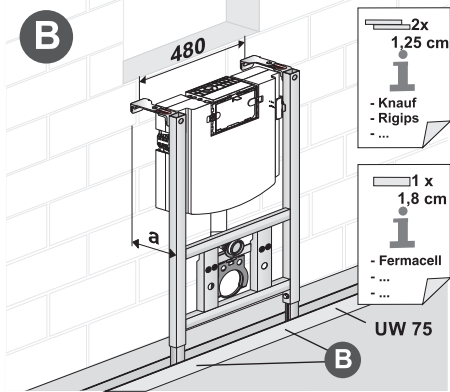
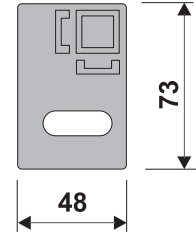
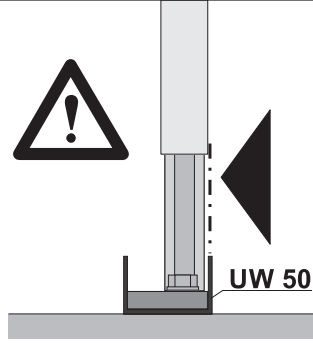


> 80 mm  
+  
Art. 05.018.00..0000

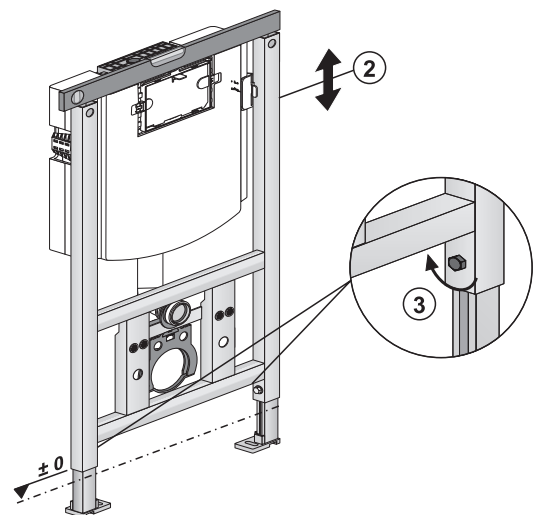
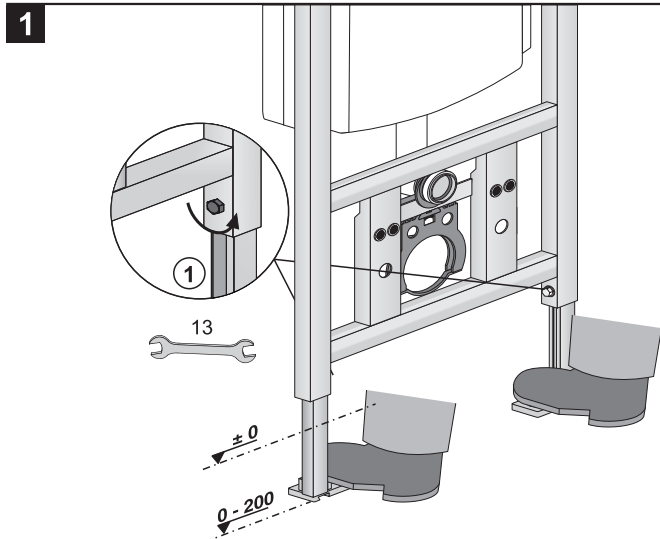
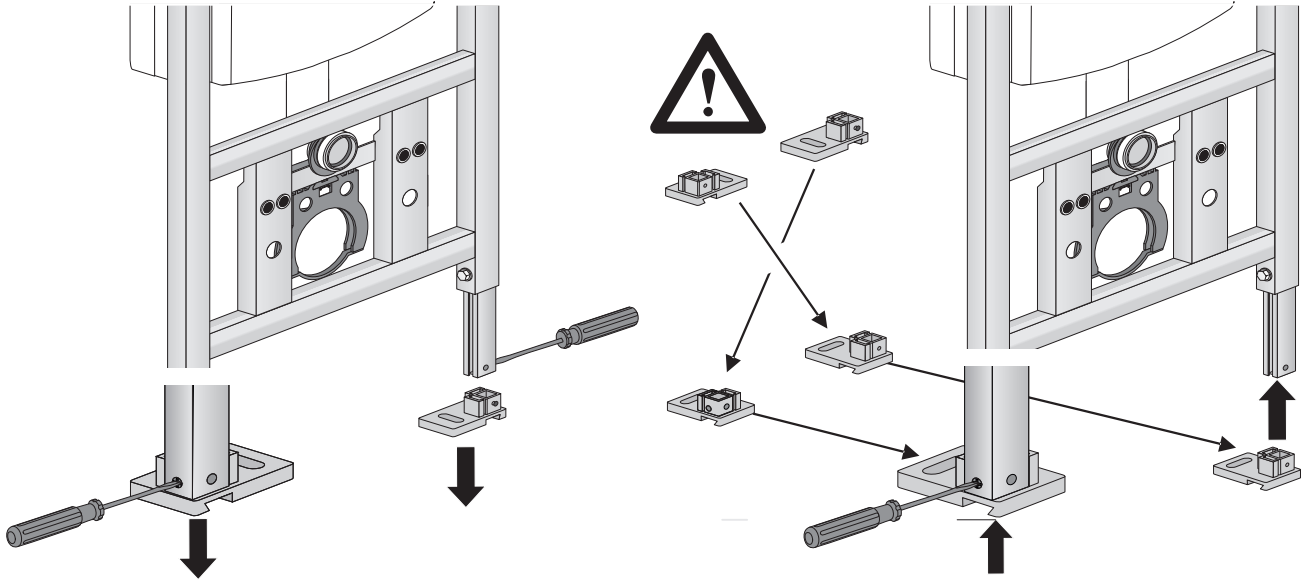
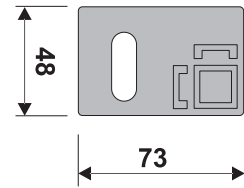
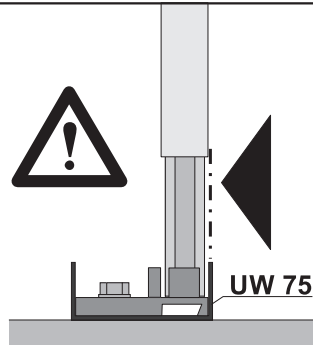




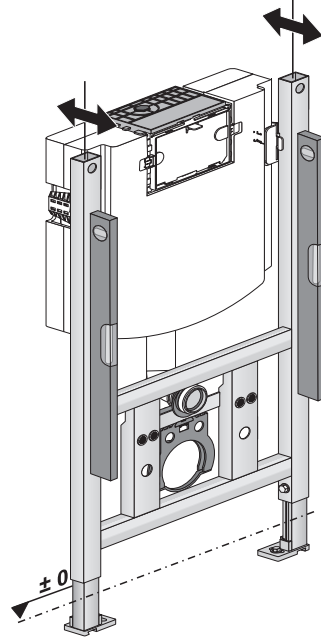
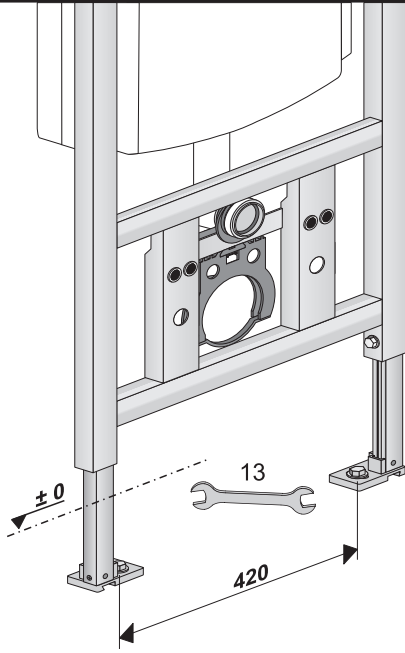
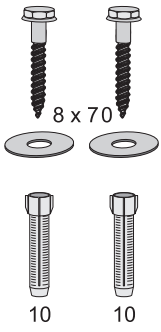
UW 50



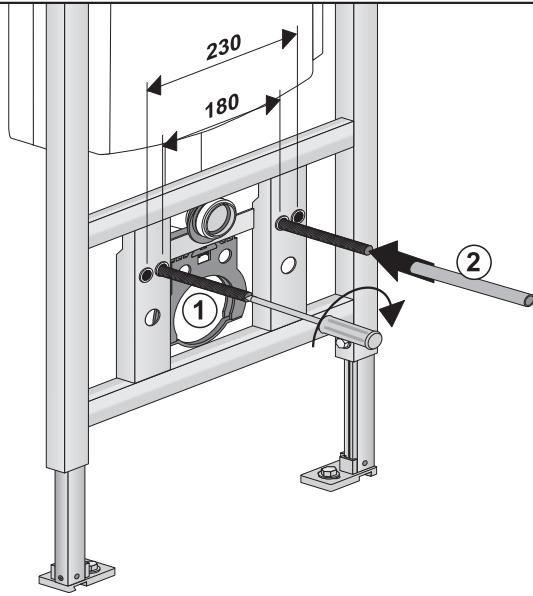
UW 75



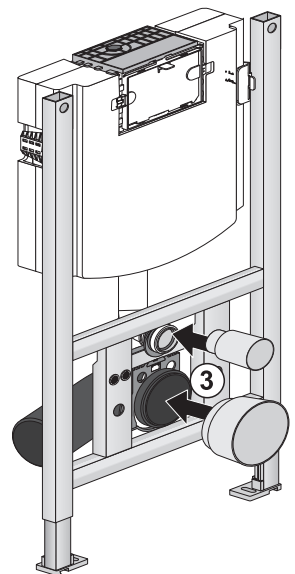
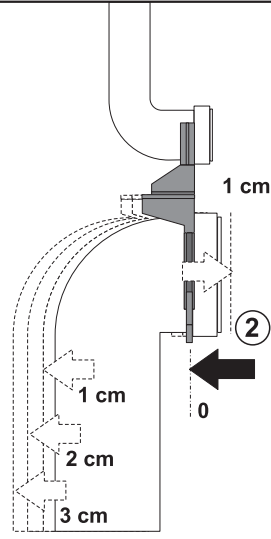
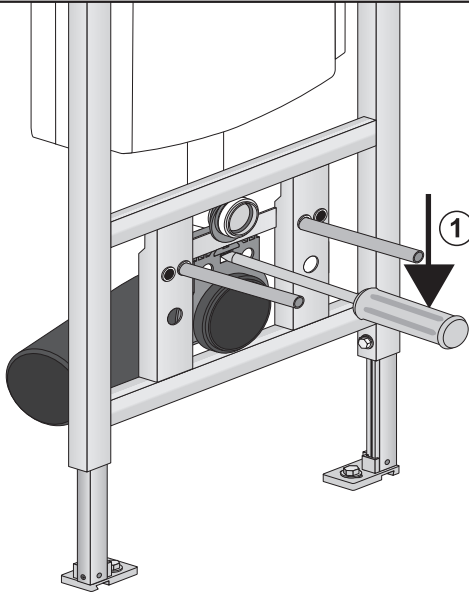
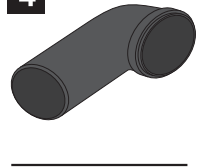
2



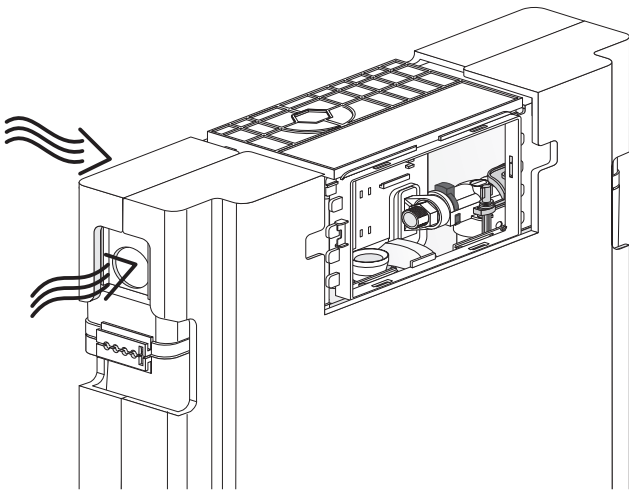
3



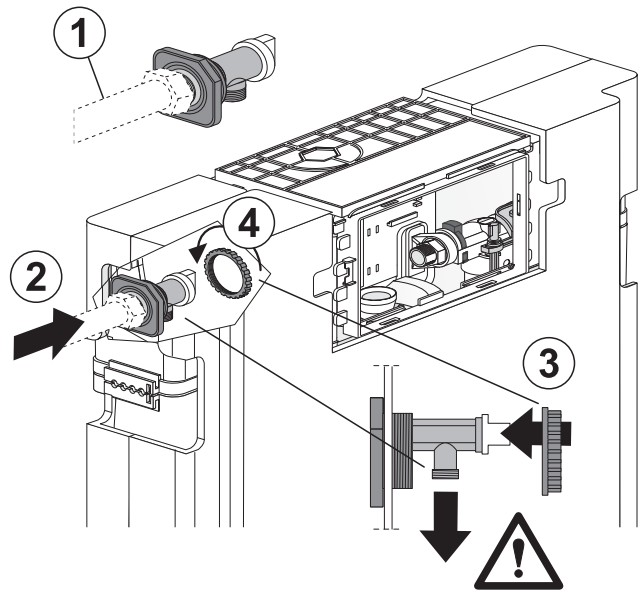
4



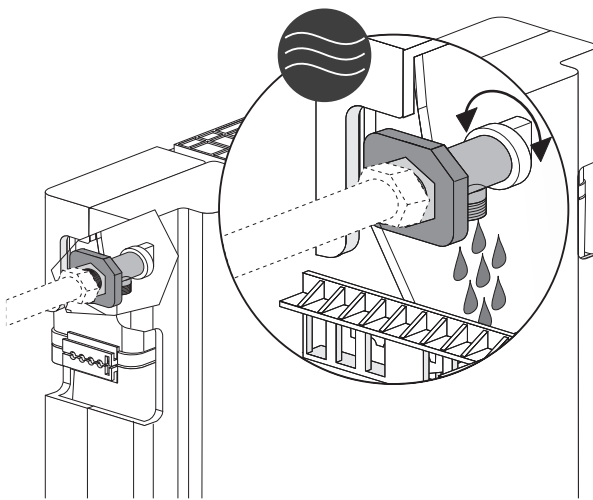
5



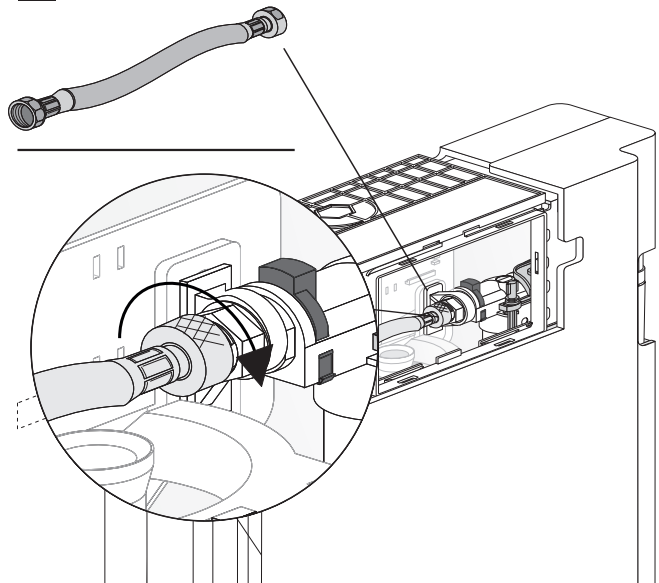
6



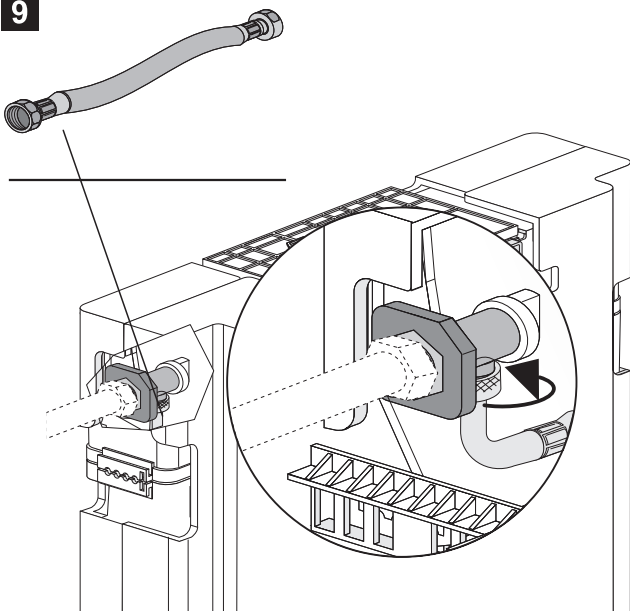
7



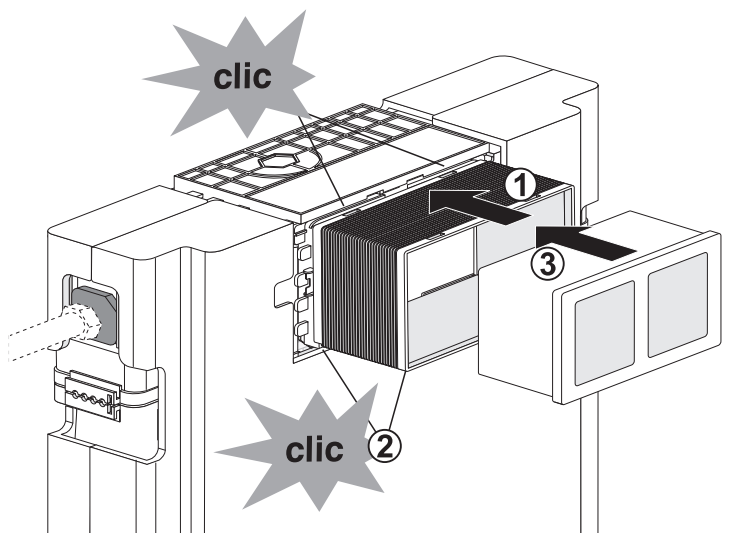
8



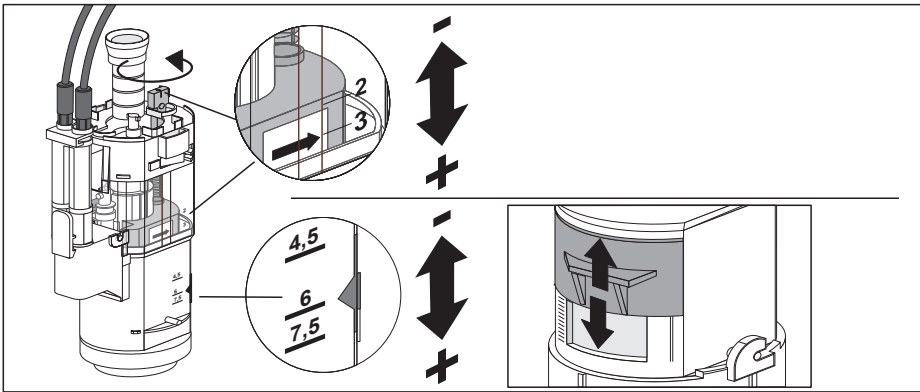
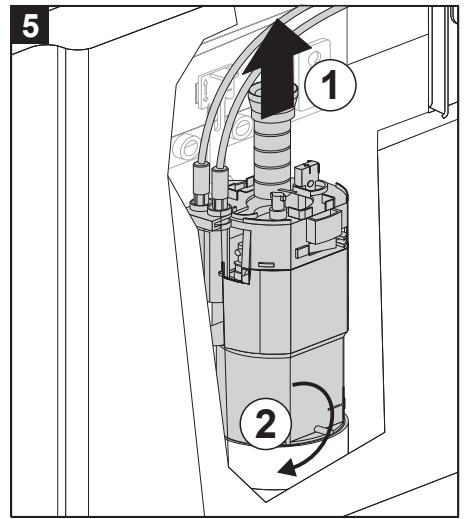
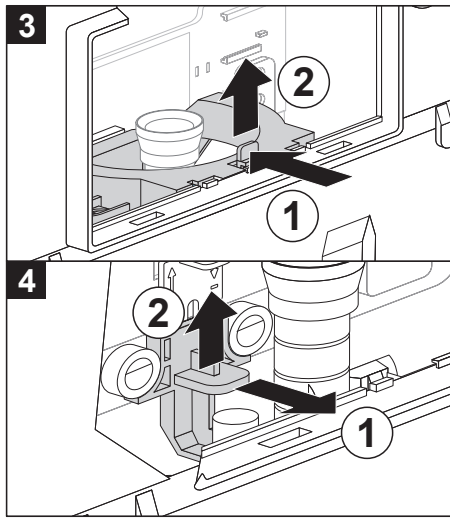
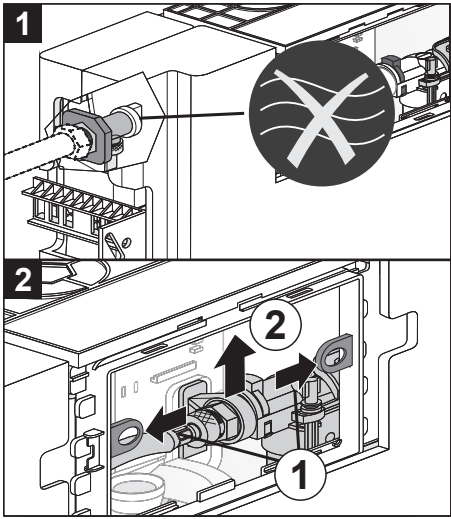
9



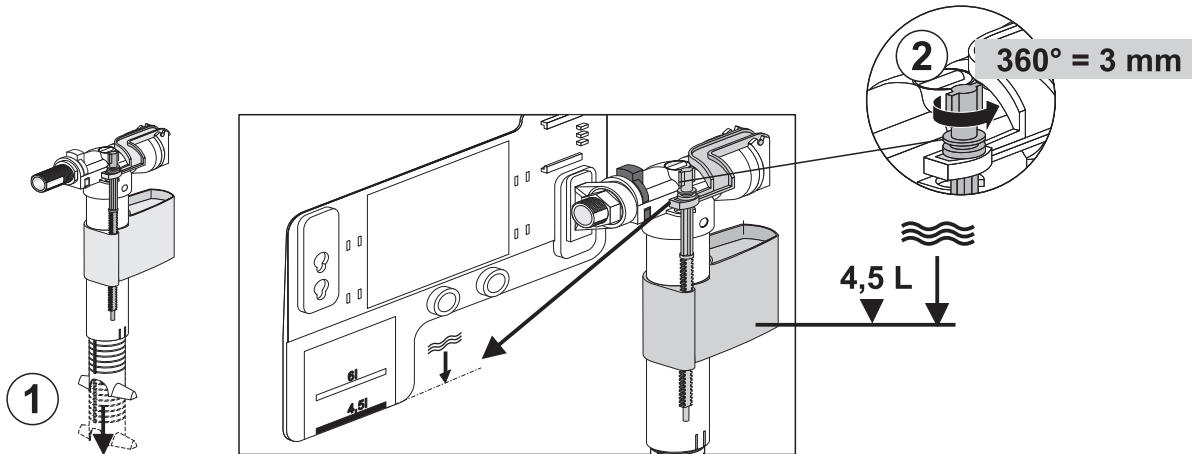
10

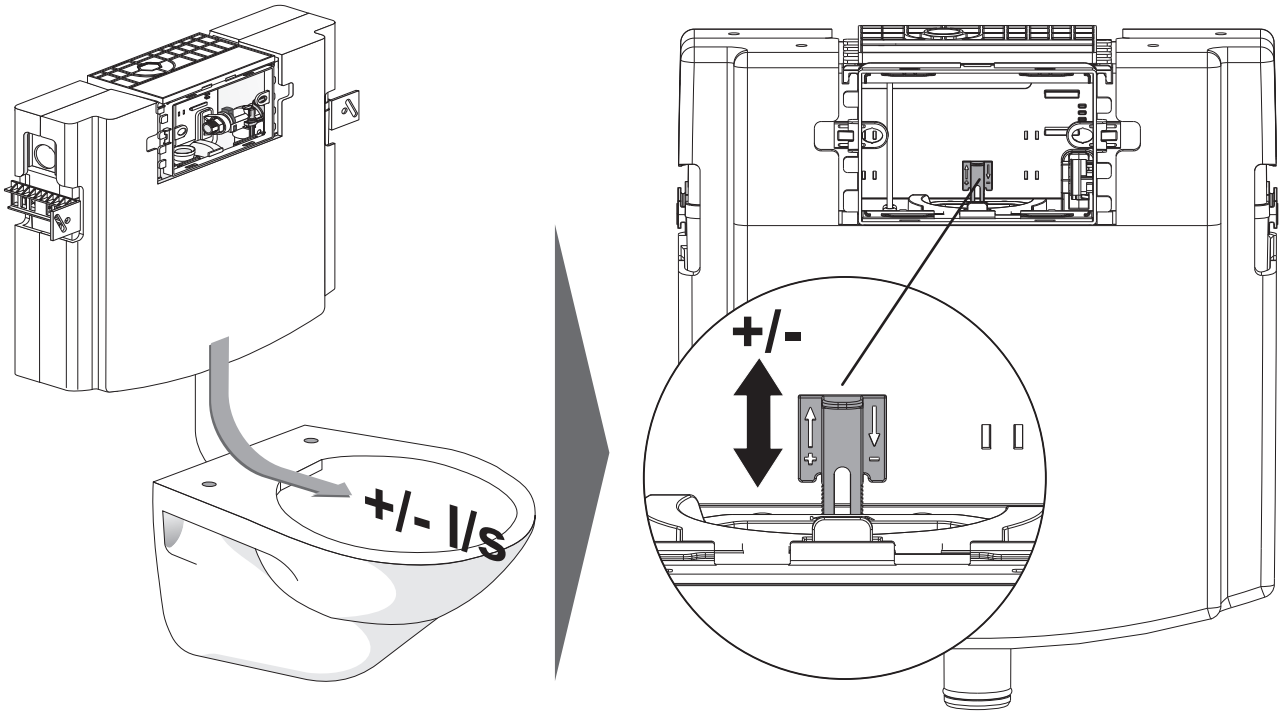


Service



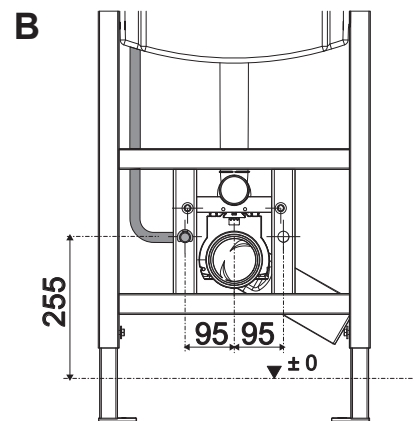
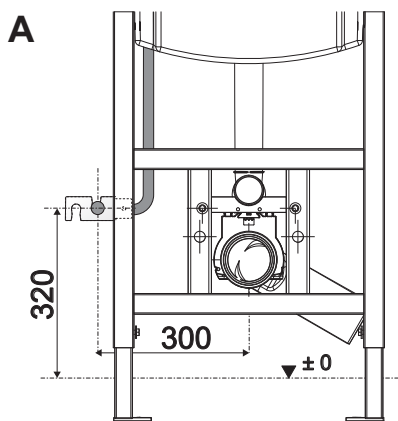
CE  
Villeroy & Boch AG  
Saarferstraße 1  
D - 66693 Mettlach  
18  
DoP Nr. M244-01  
CC-122-S-UO-2V-2C  
Personal hygiene  
EN 14065-CL1-6-NLI-VR11

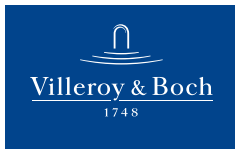




**Rohbauset ViClean Art. 9218 51 00**

Model	Article No.	Region	Connection Set	Position
ViClean-I100	V0E 1 00 R 1	E ME A	V990 84 00	B
ViClean-L4	V02E L4 01	E ME A	9219 80 00	
ViClean-L3	V02C L3 01	APAC (excl. TW)		
	V02T L3 01	TW		
ViClean-L6	V02C L6 01	APAC (excl. TW)		
	V02T L6 01	TW		
ViClean-U+	V01E U8 01	E ME A (excl. UK)	9221 15 00	A
	V01U U8 01	UK		
		V01E U7 01	E ME A (excl. CH, UK)	
ViClean-U	V01H U7 01	CH	9219 82 00	
		V01U U7 01		





*Villeroy & Boch AG  
Bathroom and Wellness Division  
Corporate Headquarters  
66693 Mettlach*