

Measurements in millimetres mm

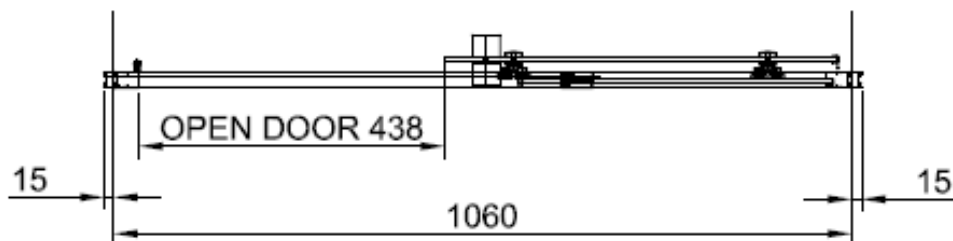
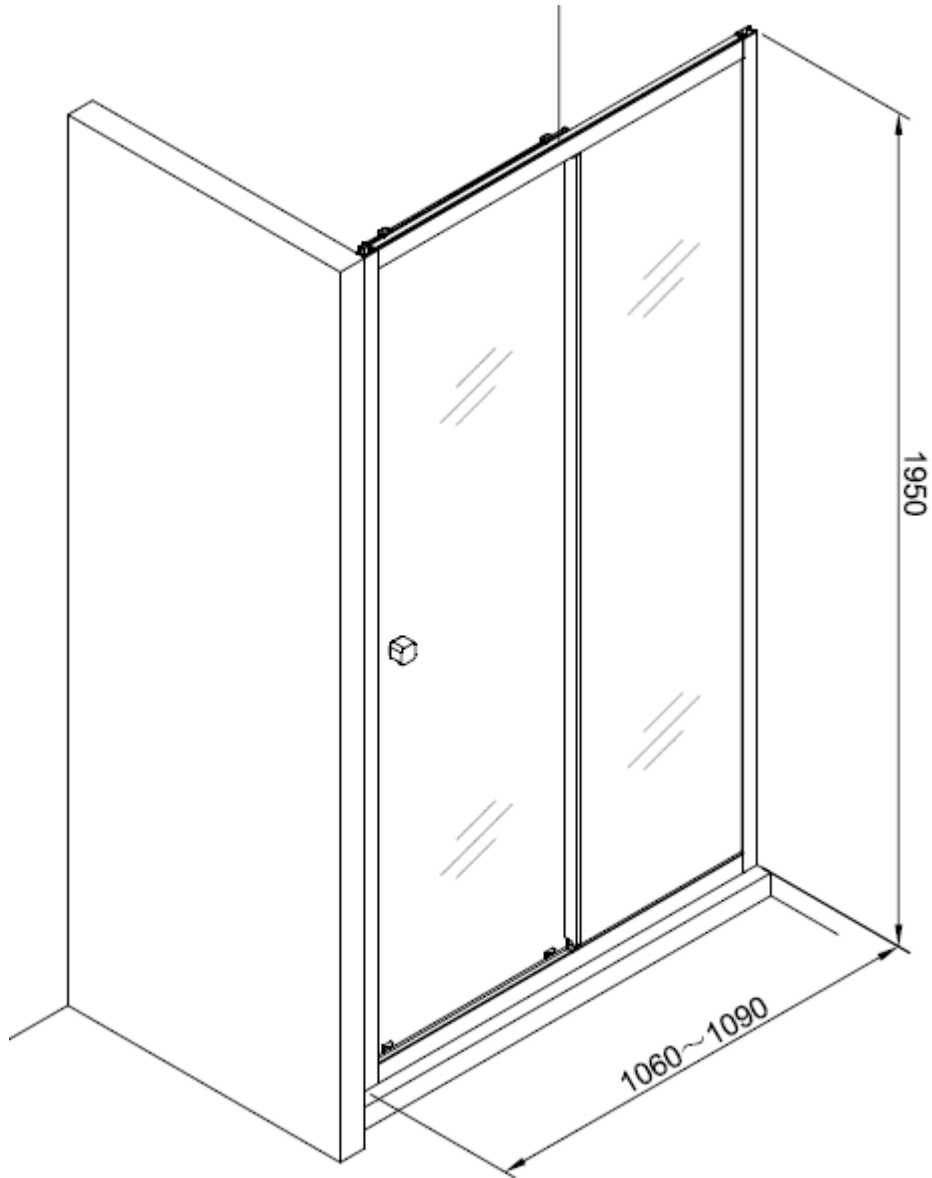
Information updated April 2022

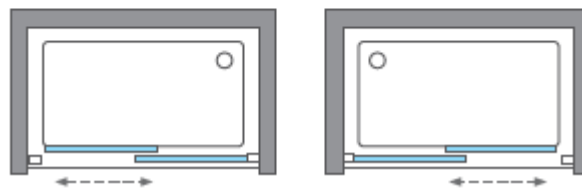
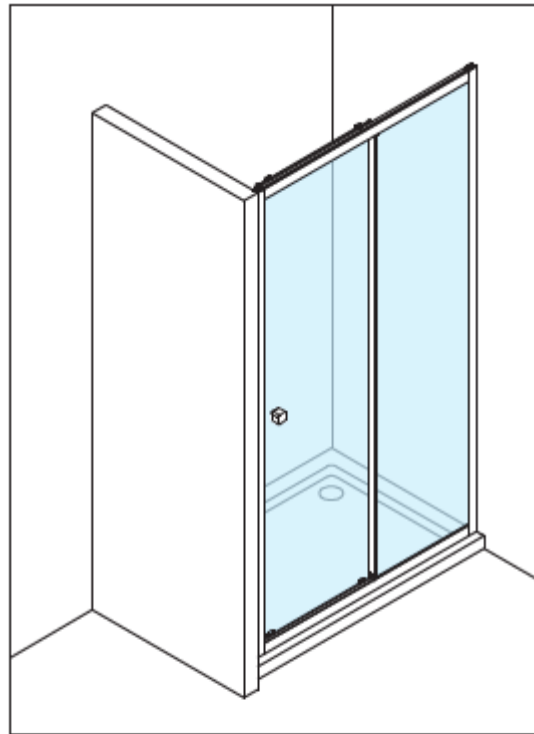
Tel 0345 873 8840








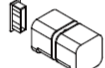
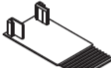


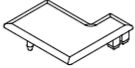


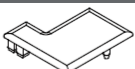

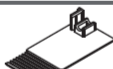




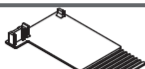
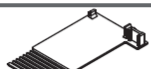
crosswater[™]

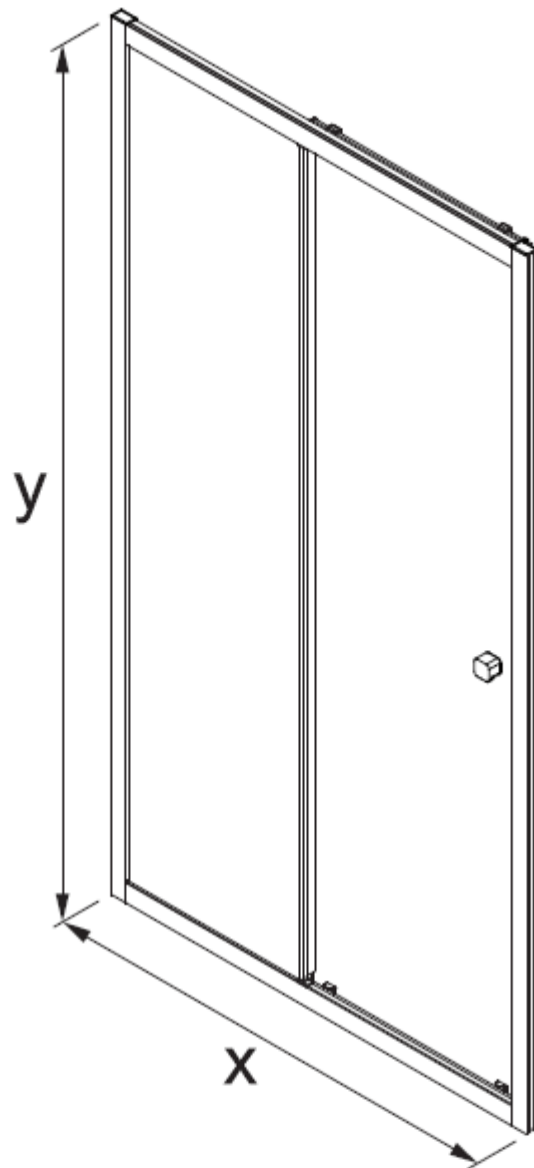
CLEAR 6 SLIDING DOOR

CASLBC1100





| | | | | | |
|---|--|---|--|----|--|
| A |  M4 *40mm Screw x 6 | I |  Waterproof strip x 1 | AA |  M4 *20mm Screw x 1 |
| B |  M4 *30mm Screw x 4 | J |  Waterproof strip x 1 | AB |  Adjustment block x 1 |
| C |  M4 *20mm Screw x 4 | K |  Handle x 1 | AC |  Top Cap x 1 |
| D |  Wall Plug x 6 | L |  Sleeve x 1 | AD |  Top Cap(LH) x 1 |
| E |  Cover x 3 | M |  Spanner x 1 | AE |  Top Cap(RH) x 1 |
| F |  Filler x 2 | N |  Top Cap(LH) x 1 | AF |  Filler x 2 |
| G |  Cover x 4 | O |  Top Cap(RH) x 1 | | |
| H |  Waterproof strip x 1 | P |  Top Cap(LH) x 1 | Q |  Top Cap(RH) x 1 |



| Model | X (mm) | y (mm) |
|------------|-----------|--------|
| CASLSC1000 | 960~990 | 1950 |
| CASLSC1100 | 1060~1090 | 1950 |
| CASLSC1200 | 1160~1190 | 1950 |
| CASLBC1200 | 1160~1190 | 1950 |
| CASLSC1300 | 1260~1290 | 1950 |
| CASLSC1400 | 1360~1390 | 1950 |
| CASLBC1400 | 1360~1390 | 1950 |
| CASLSC1500 | 1460~1490 | 1950 |
| CASLBC1500 | 1460~1490 | 1950 |
| CASLSC1600 | 1560~1590 | 1950 |
| CASLSC1700 | 1660~1690 | 1950 |