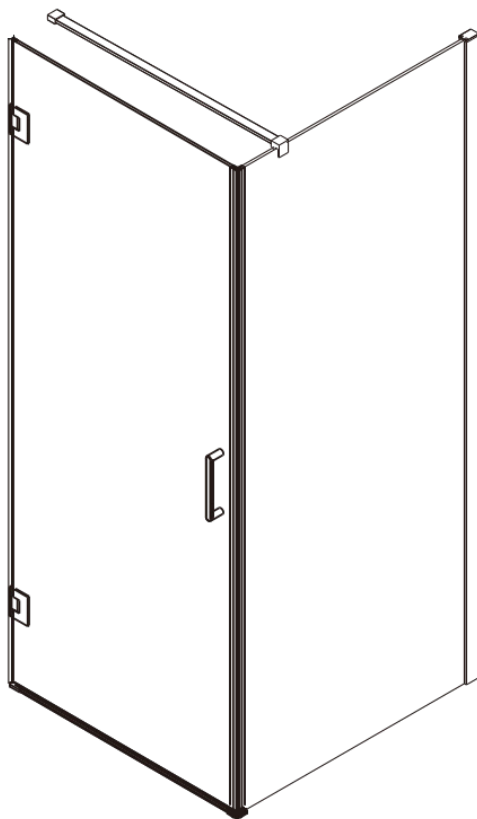


INSTALLATION INSTRUCTIONS



fortifura



GENERAL INFORMATION

Please inspect the product immediately upon receipt for transit damage, missing packs/parts or manufacturing fault. Damage reported later cannot be accepted. Please handle the product with care avoiding knocks and shock loading to all sides and edges of the glass.

NOTES: Safety glass can not be re-worked

Please read these instructions carefully before start of installation.

Special care should be taken when drilling walls to avoid hidden pipes or electrical cables.

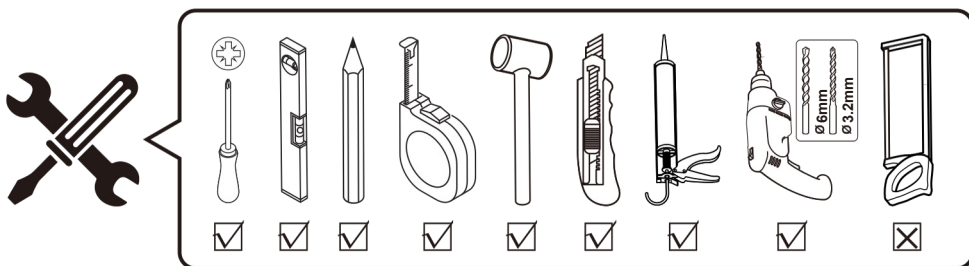
Note: This product is heavy and may require two people to install.

AFTERCARE INSTRUCTIONS

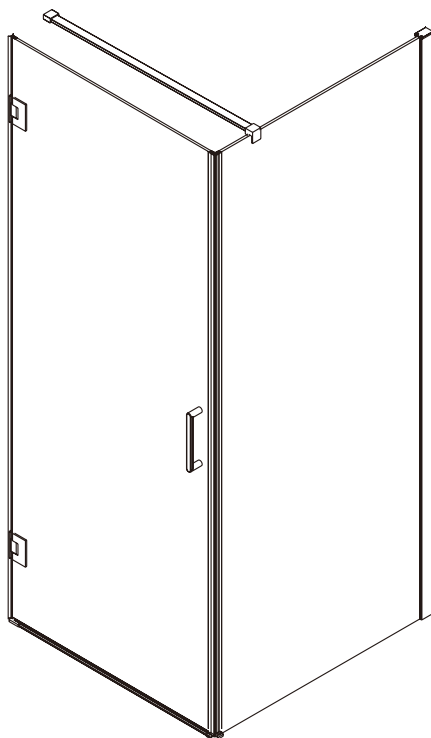
After use, your shower should be cleaned with soap and water. This is particularly important in hard water districts where insoluble lime salts may be deposited and allowed to build up. Cleaners of a gritty or abrasive nature should not be used. Care should be taken to avoid contact with strong chemicals such as organic solvents and strippers.

Class cleaners can be used but with caution, if in doubt contact the manufacturer of the cleaner in question.

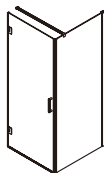
Please keep these instructions for aftercare and customer service details.



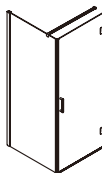
Shower Cabin

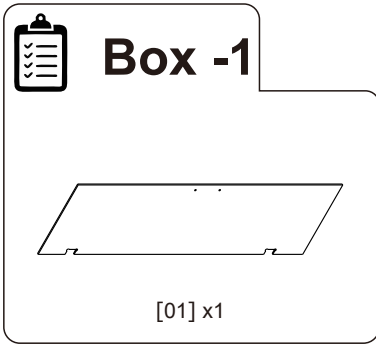


LH

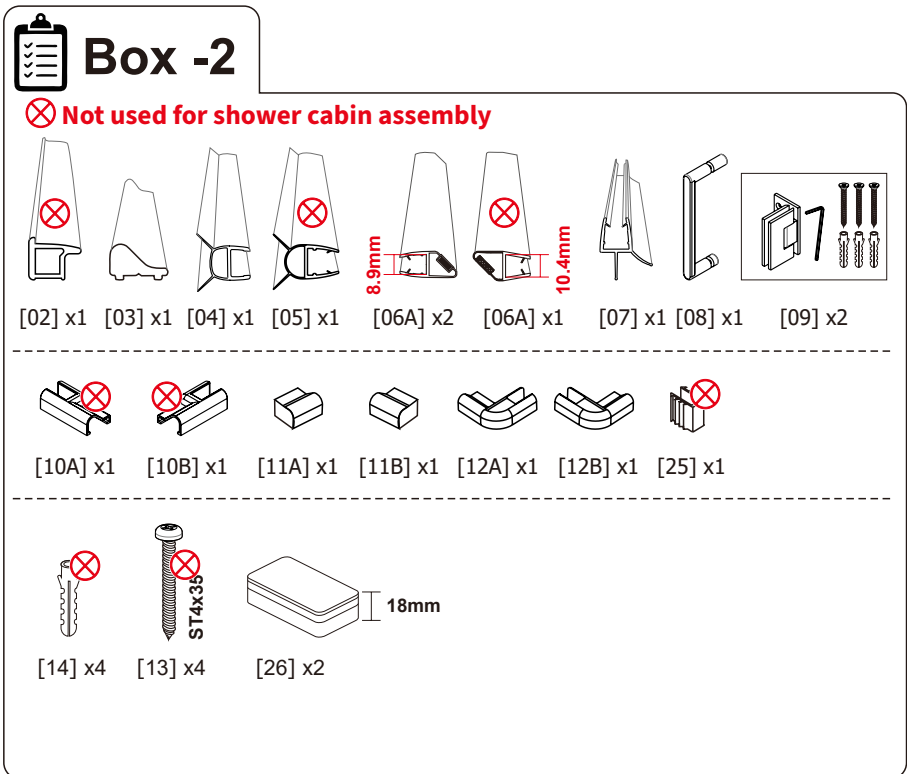
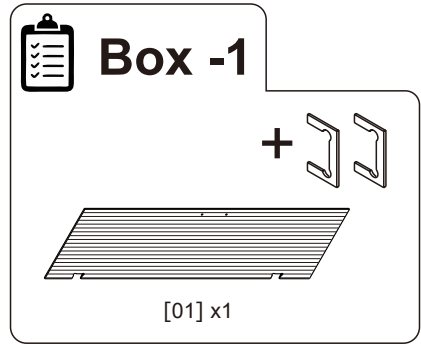


RH



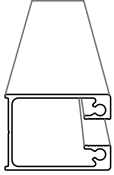


OR

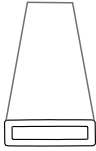




Box - 3



[15] x1



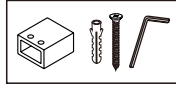
[16] x1



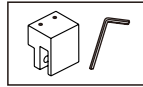
[17] x1



[18] x1



[19] x1



[20] x1

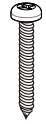


[21] x4



ST4x16

[22] x2



ST4x30

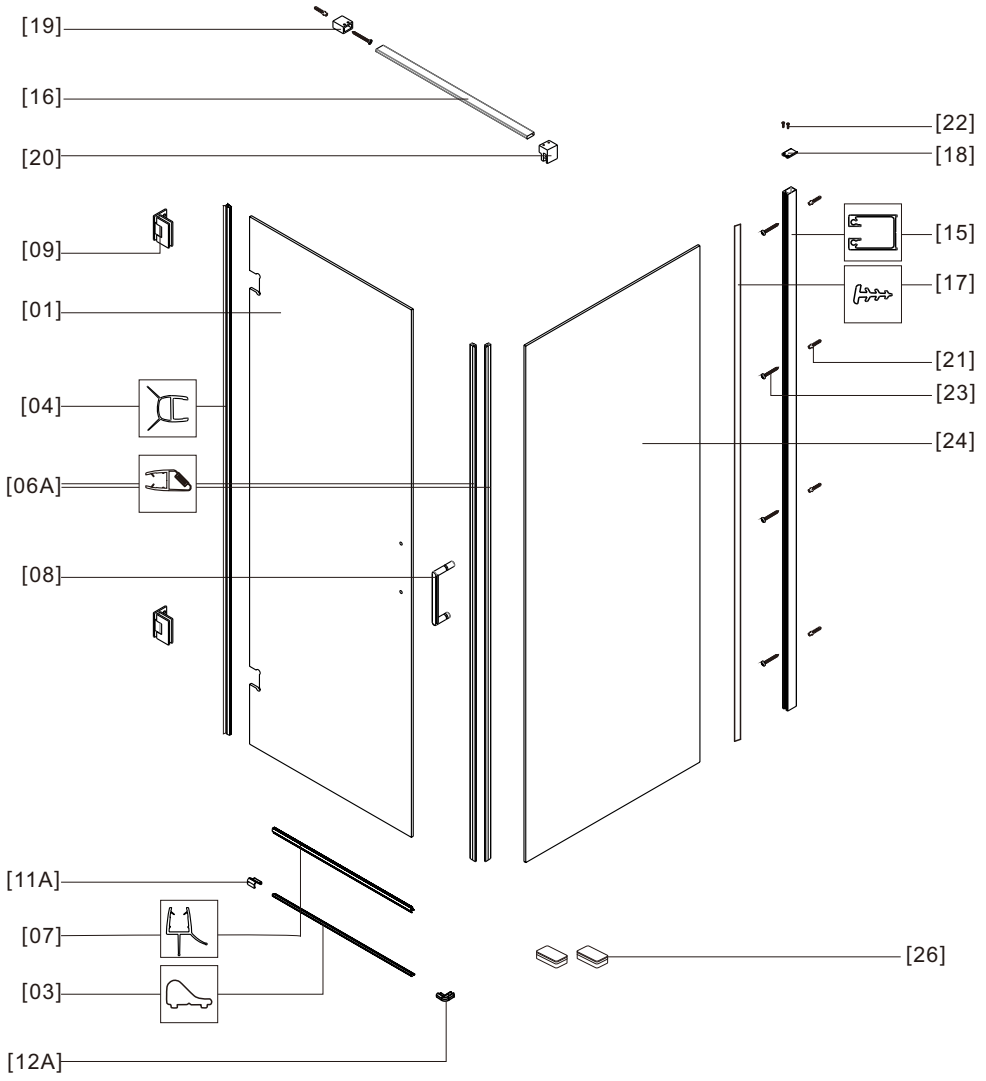
[23] x4



Box - 4



[24] x1



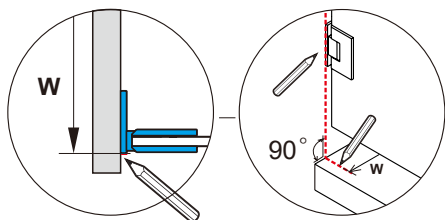
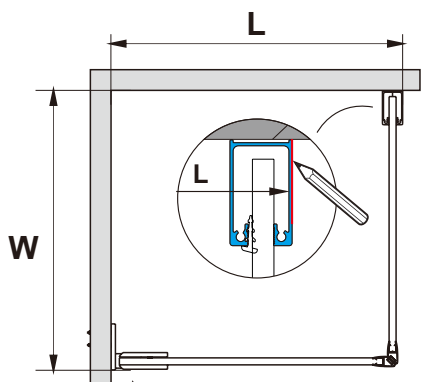
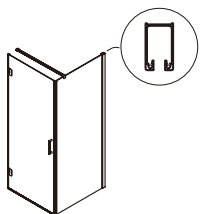


01

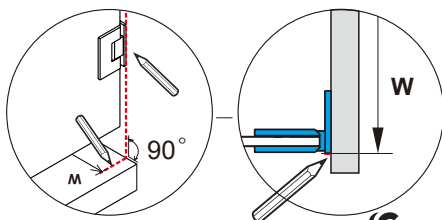
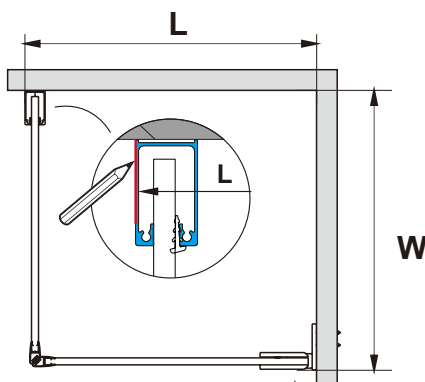
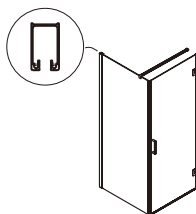
Size (mm)	W	
	Min.	Max.
300	284	309
400	384	409
500	484	509
600	584	609
700	684	709
800	784	809
900	884	909
1000	984	1009
1100	1084	1109
1200	1184	1209
1400	1384	1409
1600	1584	1609
1800	1784	1809

Size (mm)	L	
	Min.	Max.
600	585	585
700	685	685
800	785	785
900	885	885
1000	985	985

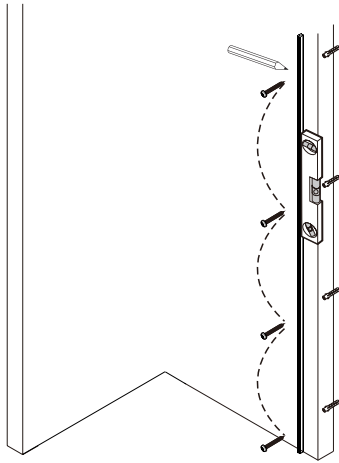
LH



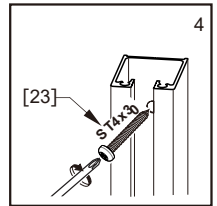
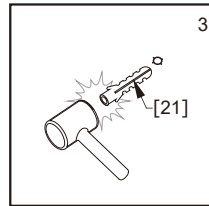
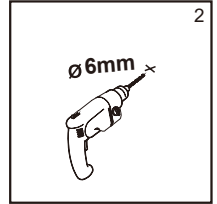
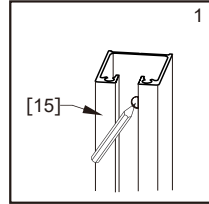
RH



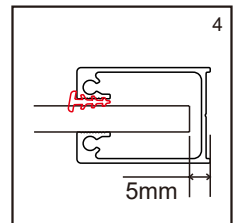
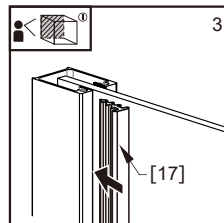
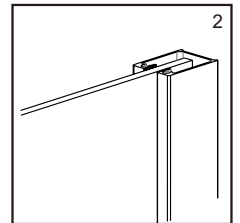
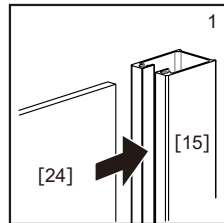
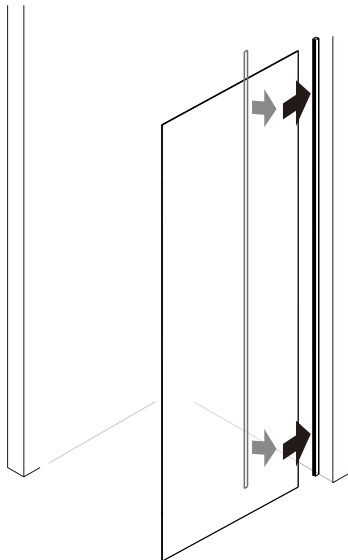
02



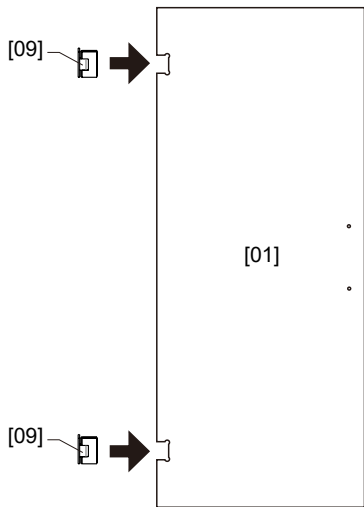
4x



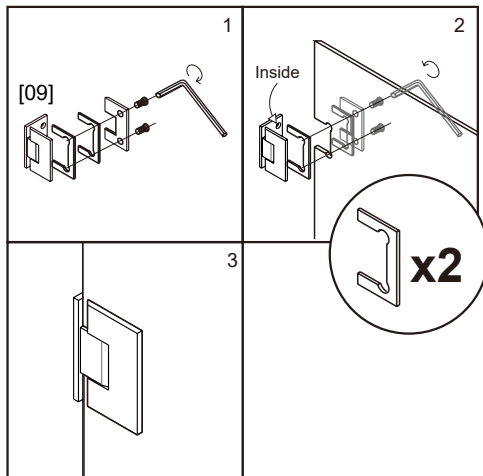
03



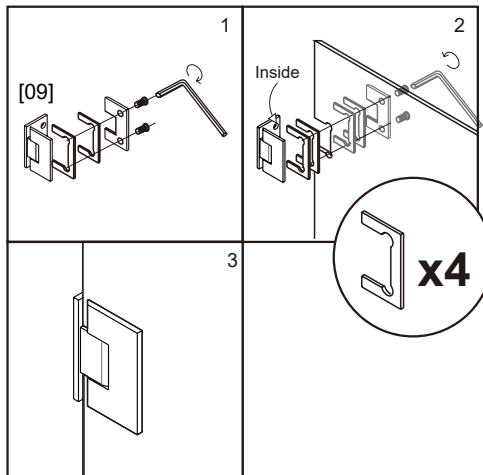
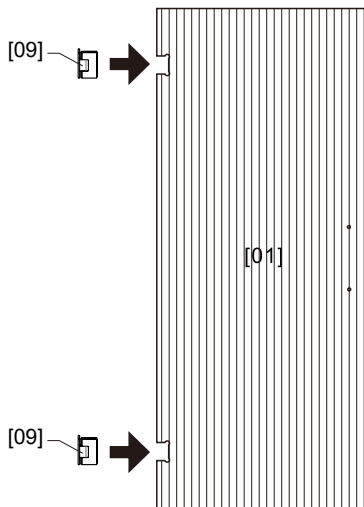
04




2x

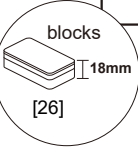
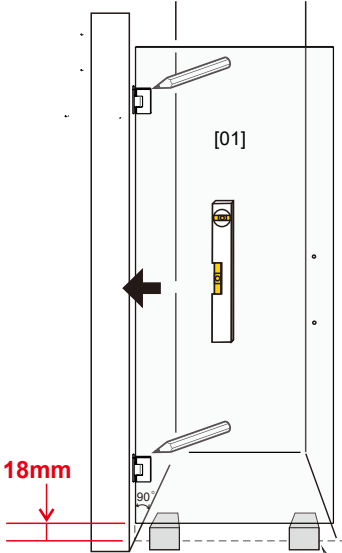


OR

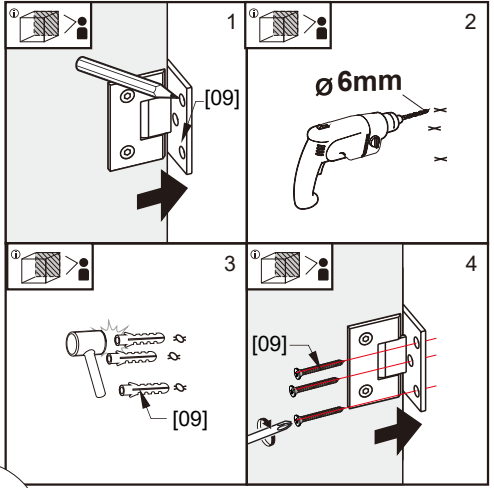


05

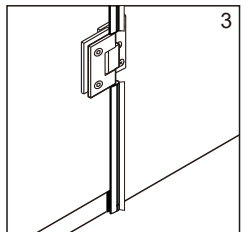
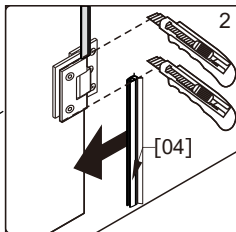
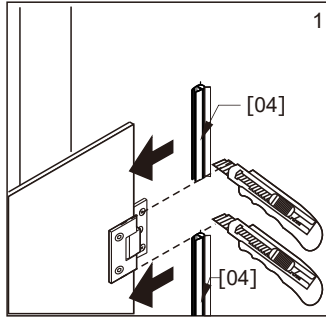
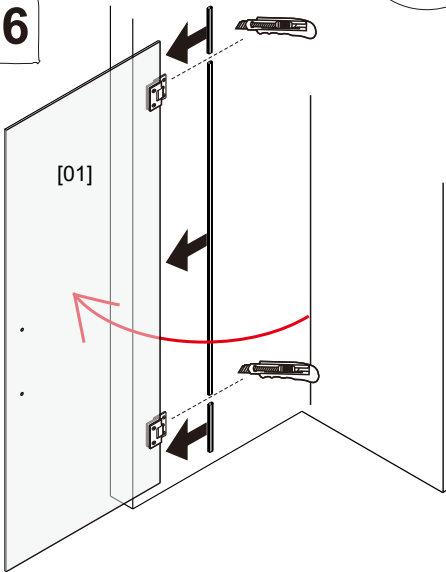
 View from inside



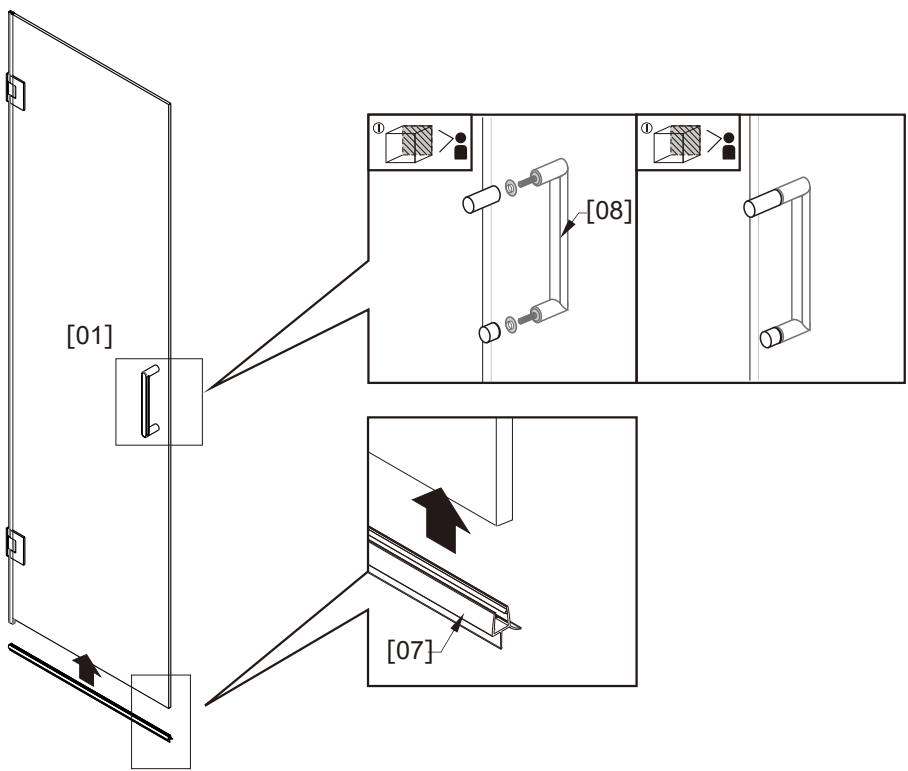
2x



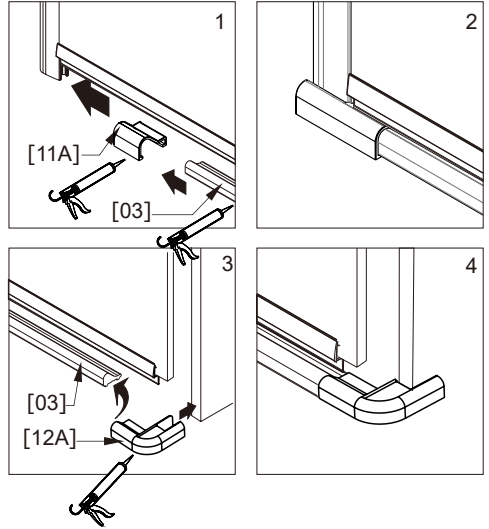
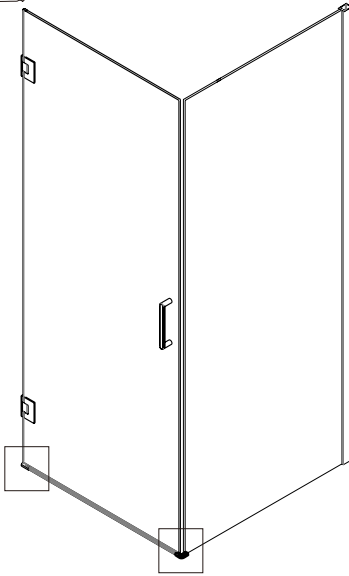
06



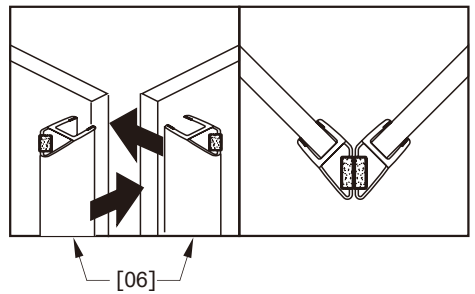
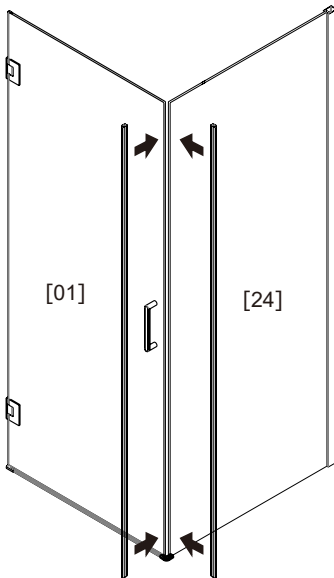
07



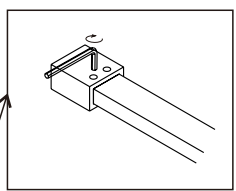
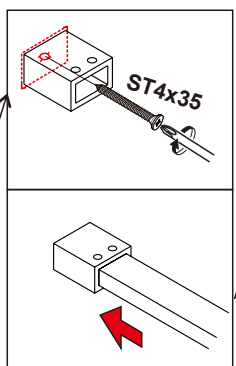
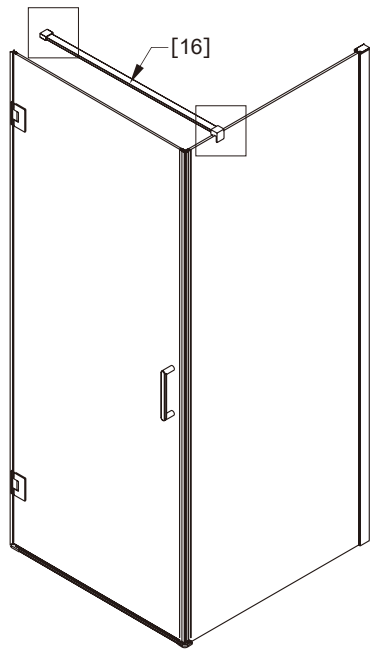
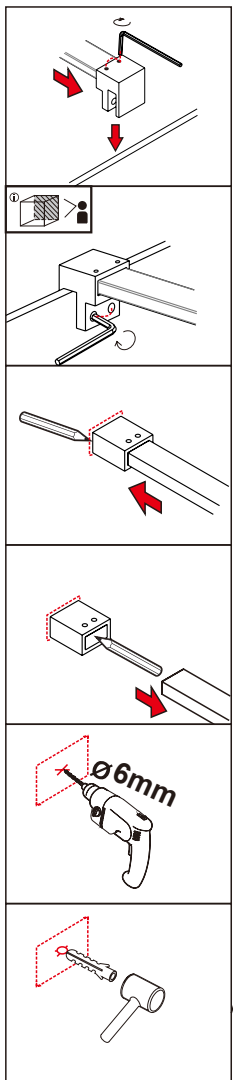
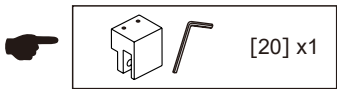
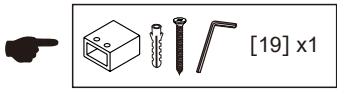
08



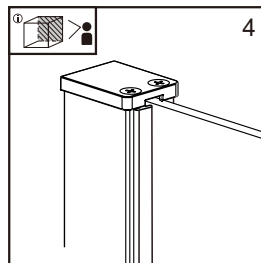
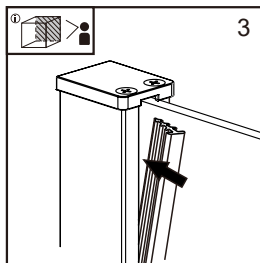
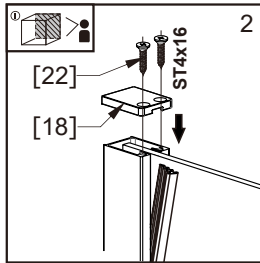
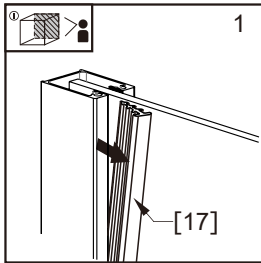
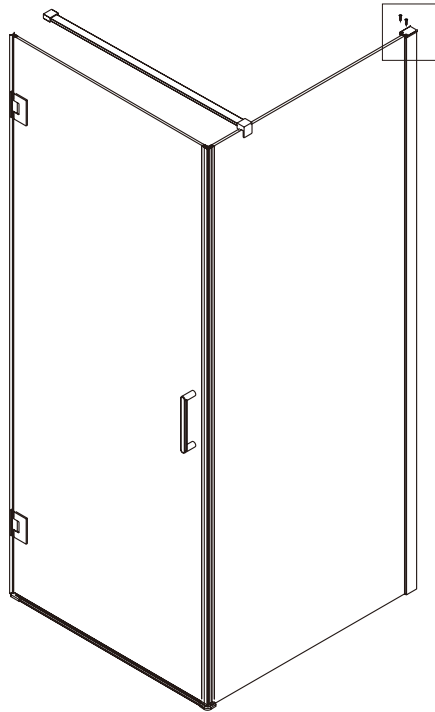
09



10



11



12

