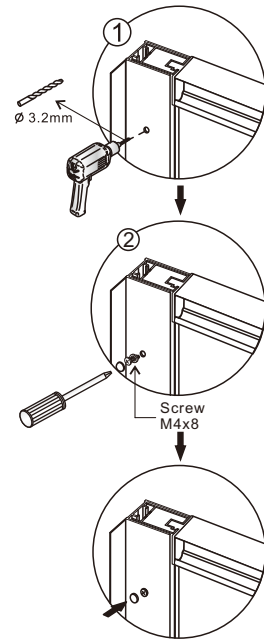
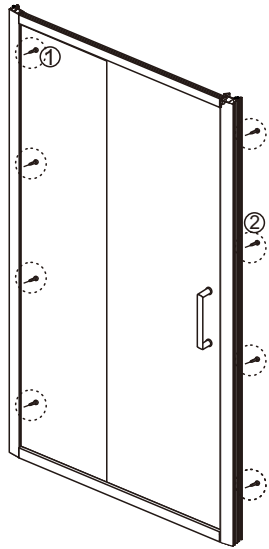
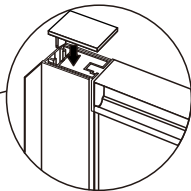
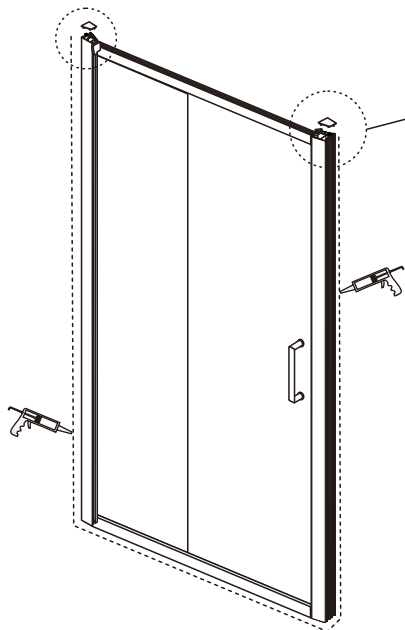


Step 7



View from inside

Step 8



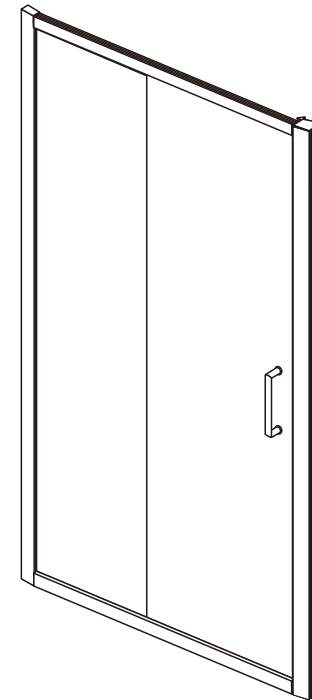
View from inside



Allow 24 hours for silicone to dry before use.

INSTALLATION INSTRUCTIONS

SW238223/SW238224/SW238225
SW238226/SW238227/SW238236
SW491642/SW491643/SW491644
SW491645/SW491646/SW491647



Size: 900x1900mm
1000x1900mm
1100x1900mm
1200x1900mm
1300x1900mm
1700x1500mm

◆ General Information

Please inspect the product immediately upon receipt for transit damage, missing packs/parts or manufacturing fault. Damage reported later cannot be accepted. Please handle the product with care avoiding knocks and shock loading to all sides and edges of the glass.

Notes: Safety glass can not be re-worked.

Please read these instructions carefully before start of installation.

Special care should be taken when drilling walls to avoid hidden pipes or electrical cables.

Note: This product is heavy and may require two people to install.

Aftercare instructions

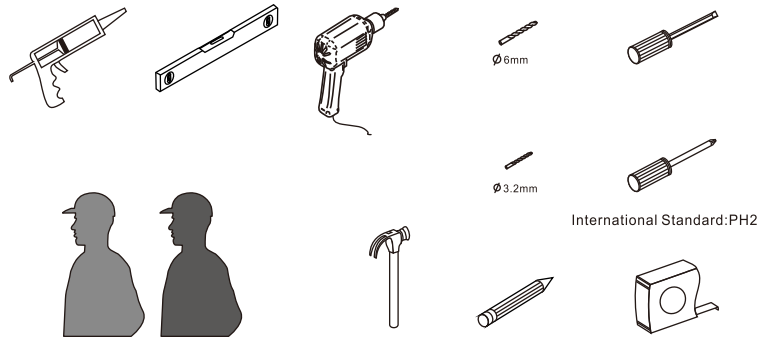
After use, your shower should be cleaned with soap and water. This is particularly important in hard water districts where insoluble lime salts may be deposited and allowed to build up.

Cleaners of a gritty or abrasive nature should not be used. Care should be taken to avoid contact with strong chemicals such as organic solvents and strippers.

Glass cleaners can be used but with caution, if in doubt contact the manufacturer of the cleaner in question.

Please keep these instructions for aftercare and customer service details.

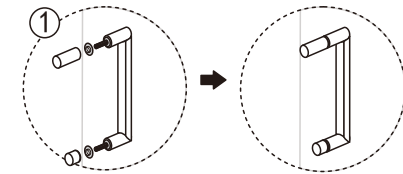
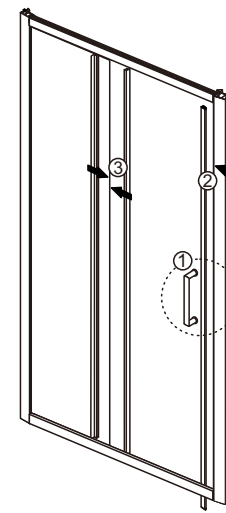
Tools Required



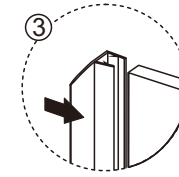
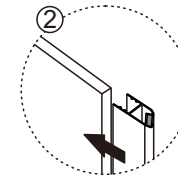
This product is heavy and may require two people to install.



Step 5

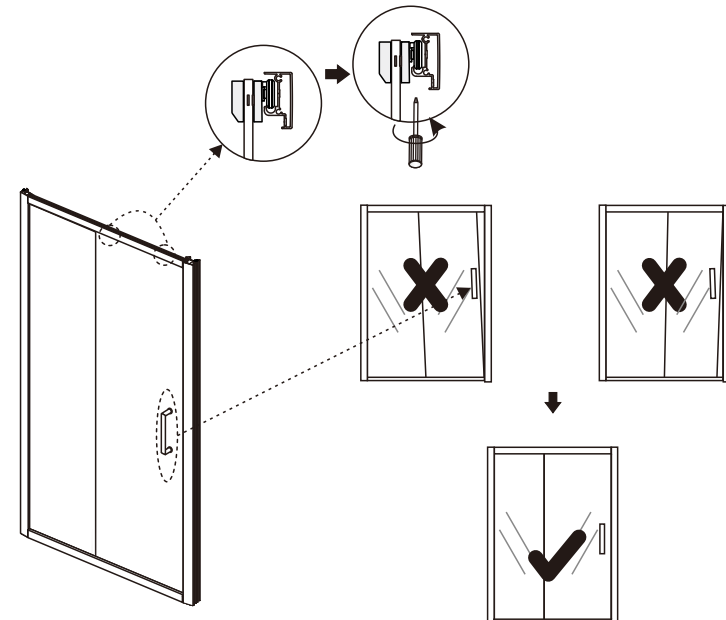


View from inside

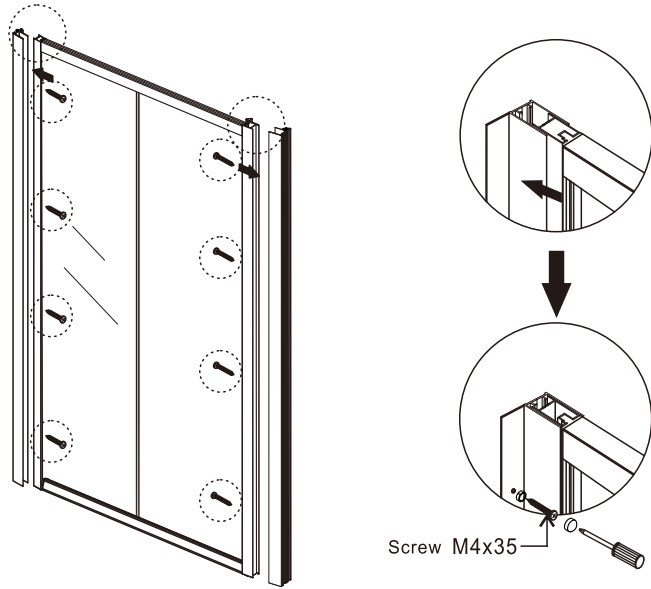


Adjust enclosure to hold top balane, make vertical posts upright, and keep the whole balanceable. The door should be push-and-pulled smoothly.

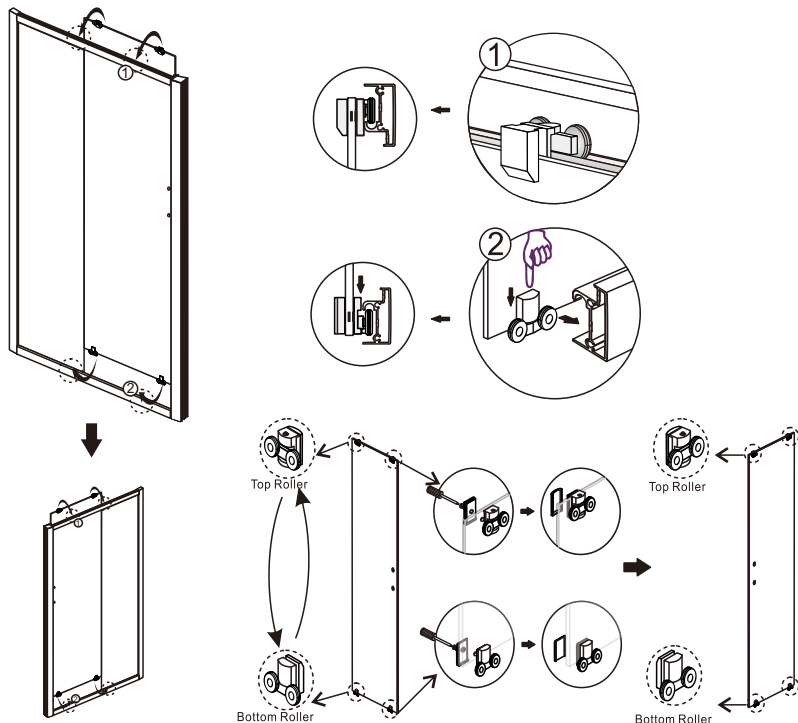
Step 6



Step 3



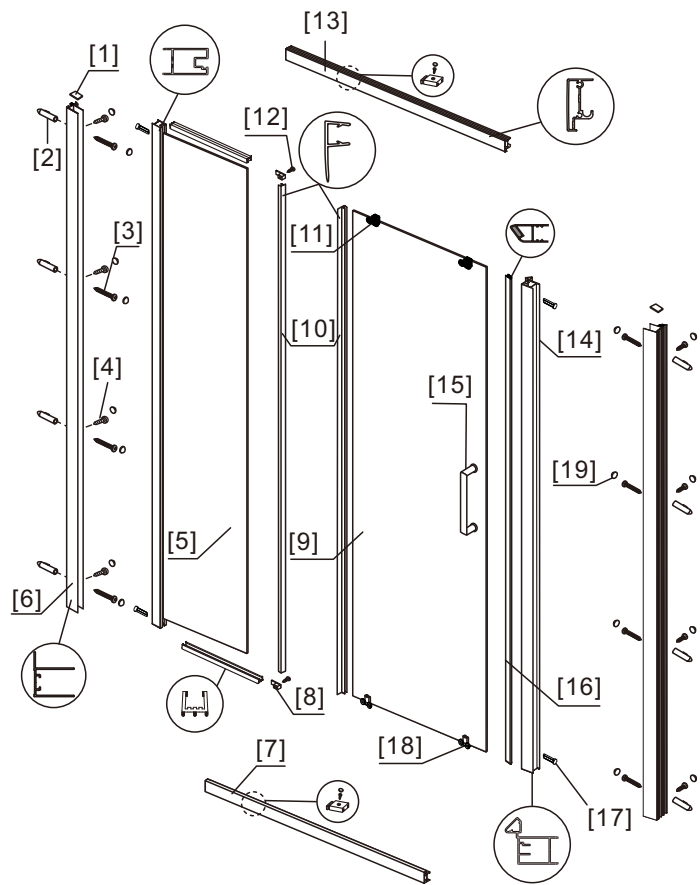
Step 4



◆ Box Contents:

[1] 2xHorizontal Rails. 4xJumpers. 1xLube.	→	
[2] 1xInstallation Instruction.	→	
[3] 1xHandle Set.	→	
[4] 2xProfile Covers.	→	
[5] 2xBottom Hooks. 2xScrews M4x10.	→	
[6] 8xWall Plugs. 8xScrews M4x35. 8xScrew Cover Caps.	→	
[7] 8xScrews M4x8. 8xScrew Cover Caps.	→	
[8] 2xWater Deflectors. 2xDeflectors.	→	
[9] 1xMagnetic Seal.	→	
[10] 2xWall Posts.	→	
[11] 1xPost .	→	
[12] 1xFixed Panel .	→	
[13] 1xDoor Panel.	→	

◆ Assembly Drawing

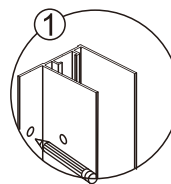


- [1] 2xProfile Covers
- [2] 8xWall Plugs
- [3] 8xScrews M4x35
- [4] 8xScrews M4x8
- [5] 1xFixed Panel
- [6] 2xWall Posts
- [7] 1xBottom Horizontal Rail
- [8] 2xBumper Blocks
- [9] 1xDoor Panel

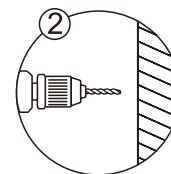
- [10] 2xWater Deflectors
- [11] 2xTop Rollers
- [12] 2xScrews M4x10
- [13] 1xTop Horizontal Rail
- [14] 1xPost
- [15] 1xHandle Set
- [16] 1xMagnetic Seal
- [17] 2xBottom Rollers
- [18] 4xJumpers
- [19] 16xScrew Cover Caps

◆ Installation Steps:

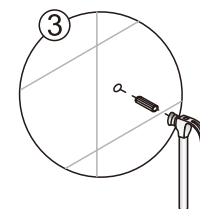
Step 1



Drawing the drilling holes

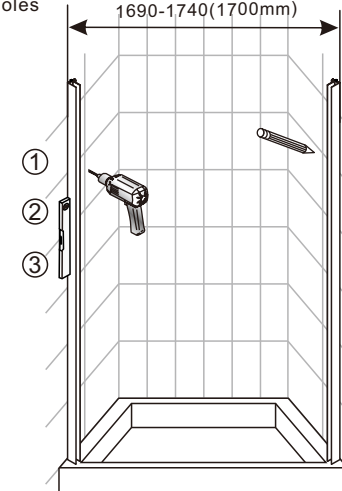


Drilling the holes



To insert the plug in

890-940(900mm)
990-1040(1000mm)
1090-1140(1100mm)
1190-1240(1200mm)
1290-1340(1300mm)
1690-1740(1700mm)



Step 2

Connecting the fixed panel with the aluminum frame all over around

