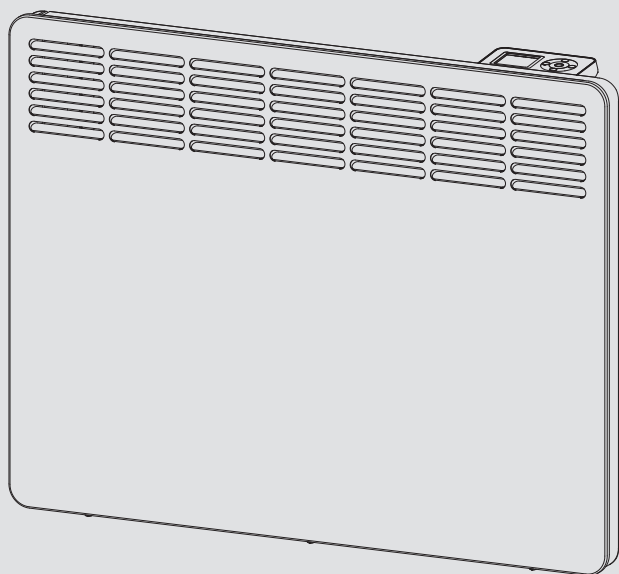


OPERATION AND INSTALLATION
UTILISATION ET INSTALLATION
BEDIENING EN INSTALLATIE
OBSLUHA A INSTALACE
OBSLUHA A INŠTALÁCIA
OBSŁUGA I INSTALACJA
KEZELÉS ÉS TELEPÍTÉS
ЭКСПЛУАТАЦИЯ И УСТАНОВКА

Wall mounted convector heater | Convecteur mural | Wandconvector | Nástěnný konvektor | Nástenný konvektor | Konwektor wiszący | Fali konvektor | Настенный конвектор

- » CWM 500 P
- » CWM 750 P
- » CWM 1000 P
- » CWM 1500 P
- » CWM 2000 P
- » CWM 2500 P
- » CWM 3000 P

- » CWM 500 U
- » CWM 750 U
- » CWM 1000 U
- » CWM 1500 U
- » CWM 2000 U
- » CWM 2500 U
- » CWM 3000 U



STIEBEL ELTRON

SPECIAL INFORMATION

OPERATION

1. General information	3
1.1 Safety instructions	3
1.2 Other symbols in this documentation	3
1.3 Information on the appliance	3
1.4 Units of measurement	3
2. Safety	3
2.1 Intended use	3
2.2 General safety instructions	4
2.3 Test symbols	4
3. Appliance description	4
4. Operation	4
4.1 Programming unit	5
4.2 Switching the appliance on and off	5
4.3 Standby mode	5
5. Settings	6
5.1 Standard display	6
5.2 Standard menu	6
5.3 Configuration menu	6
6. Cleaning, care and maintenance	8
7. Troubleshooting	8

INSTALLATION

8. Safety	8
8.1 General safety instructions	8
8.2 Instructions, standards and regulations	8
9. Appliance description	8
9.1 Standard delivery	8
10. Installation	9
10.1 Minimum clearances	9
10.2 Installing the wall mounting bracket	9
10.3 Appliance installation	9
10.4 Removing the appliance	10
10.5 Electrical connection	10
11. Commissioning	10
12. Troubleshooting	10
13. Appliance handover	10
14. Specification	11
14.1 Dimensions and connections	11
14.2 Energy consumption data	11
14.3 Data table	12

GUARANTEE

ENVIRONMENT AND RECYCLING

SPECIAL INFORMATION

- Keep children under the age of 3 away from the appliance if constant supervision cannot be guaranteed.
- Children from the age of 3 to 7 may switch the appliance on and off, provided they are supervised or have been instructed in the safe operation of the appliance and understand any risks that may result. This is subject to the appliance having been installed as described. Children from the age of 3 to 7 must not plug the power cable into its socket or regulate the appliance.
- The appliance may be used by children aged 8 and older and persons with reduced physical, sensory or mental capabilities or a lack of experience and know-how, provided that they are supervised or they have been instructed on how to use the appliance safely and have understood the potential risks.
- Children must never play with the appliance. Children must never clean the appliance or perform user maintenance unless they are supervised.
- Parts of the appliance can get very hot and may cause burns. Particular caution is advised when children or vulnerable persons are present.
- In order to avoid overheating, do not cover the heater.
- Never install the appliance directly below a wall socket.
- In the case of a permanent connection, the appliance must be able to be separated from the power supply by an isolator that disconnects all poles with at least 3 mm contact separation.

- The power cable must only be replaced (for example if damaged) by a qualified contractor authorised by the manufacturer, using an original spare part.
- Secure the appliance as described in chapter "Installation / Installation".

OPERATION

1. General information

The chapters "Special information" and "Operation" are intended for both users and qualified contractors.

The chapter "Installation" is intended for qualified contractors.



Note
Read these instructions carefully before using the appliance and retain them for future reference. Pass on the instructions to a new user if required.

1.1 Safety instructions

1.1.1 Structure of safety instructions



KEYWORD Type of risk
Here, possible consequences are listed that may result from failure to observe the safety instructions.
► Steps to prevent the risk are listed.

1.1.2 Symbols, type of risk

Symbol	Type of risk
	Injury
	Electrocution
	Burns (burns, scalding)

1.1.3 Keywords

KEYWORD	Meaning
DANGER	Failure to observe this information will result in serious injury or death.
WARNING	Failure to observe this information may result in serious injury or death.
CAUTION	Failure to observe this information may result in non-serious or minor injury.

1.2 Other symbols in this documentation



Note
General information is identified by the adjacent symbol.
► Read these texts carefully.

Symbol	Meaning
	Material losses (appliance damage, consequential losses and environmental pollution)
	Appliance disposal

► This symbol indicates that you have to do something. The action you need to take is described step by step.

1.3 Information on the appliance

Symbol	Meaning
	Never cover the appliance

1.4 Units of measurement



Note
All measurements are given in mm unless stated otherwise.

2. Safety

2.1 Intended use

This appliance is designed to heat living areas.

The appliance is intended for domestic use. It can be used safely by untrained persons. The appliance can also be used in a non-domestic environment, e.g. in a small business, as long as it is used in the same way.

Any other use beyond that described shall be deemed inappropriate. Observation of these instructions and of the instructions for any accessories used is also part of the correct use of this appliance.

2.2 General safety instructions



WARNING Injury

- Keep children under the age of 3 away from the appliance if constant supervision cannot be guaranteed.
- Children from the age of 3 to 7 may switch the appliance on and off, provided they are supervised or have been instructed in the safe operation of the appliance and understand any risks that may result. This is subject to the appliance having been installed as described. Children from the age of 3 to 7 must not plug the power cable into its socket or regulate the appliance.
- The appliance may be used by children aged 8 and older and persons with reduced physical, sensory or mental capabilities or a lack of experience and know-how, provided that they are supervised or they have been instructed on how to use the appliance safely and have understood the potential risks.
- Children must never play with the appliance. Children must never clean the appliance or perform user maintenance unless they are supervised.



WARNING Injury

In closed rooms, temperatures can rapidly reach high values. Ensure constant supervision if the appliance is operated in a small room and the persons within that room cannot regulate the appliance or leave the room on their own.



WARNING Burns

Never operate this appliance...

- if the distance from adjacent objects or other flammable materials would be less than the minimum permissible distance.
- in rooms where it is at risk of fire or explosion as a result of chemicals, dust, gases or vapours. Ventilate the room sufficiently before heating.
- in the direct proximity of pipes or receptacles that carry or contain flammable or explosive materials.
- if an appliance component is damaged, the appliance has fallen over or there is a fault.



WARNING Burns

- Never place any flammable, combustible or insulating objects or materials on the appliance or in direct proximity to it.
- Ensure that the air intake and discharge are never blocked.
- Never place any objects between the appliance and the wall.



WARNING Burns

The appliance is unsuitable for use as a floorstanding appliance. Only ever operate this appliance when mounted on the wall mounting bracket supplied (see chapter "Installation / Installation").



CAUTION Burns

Parts of the appliance can get very hot and may cause burns. Particular caution is advised when children or vulnerable persons are present.



WARNING Overheating

In order to avoid overheating, do not cover the heater.



Material losses

- Ensure that the power cable is not touching the appliance.
- Never stand on the appliance.
- Never operate the appliance in the open air.

2.3 Test symbols

See type plate on the appliance.

3. Appliance description

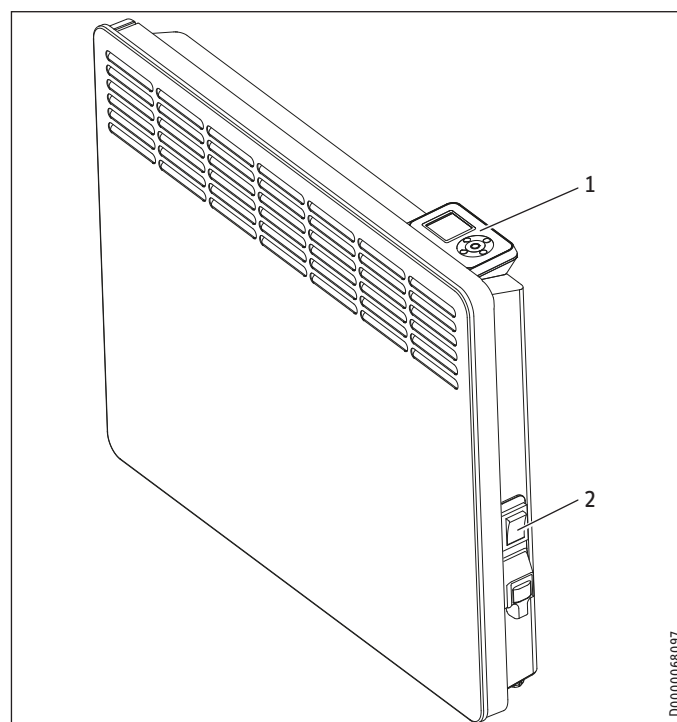
The appliance is a wall mounted electric direct heater.

The appliance is suitable for use as a standalone heating system, or can be used in spring and autumn and as a booster heater in smaller rooms.

The air inside the appliance is heated by a heating element and expelled via natural convection through the air discharge at the top. Cool indoor air is drawn in through the air intake on the underside of the appliance.

When the set room temperature is reached, it is maintained by periodic heating.

4. Operation



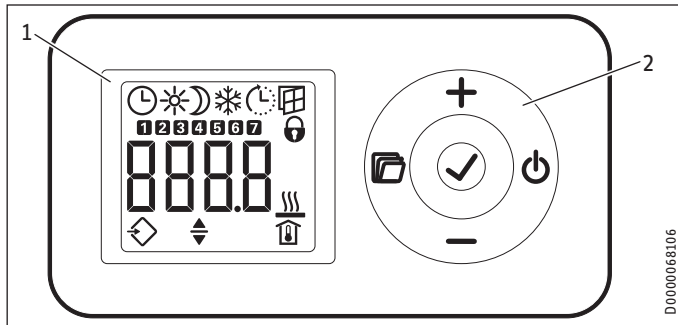
- 1 Programming unit
- 2 ON/OFF switch

OPERATION

Operation

4.1 Programming unit

The programming unit is located at the top right of the appliance.



- 1 Display
- 2 User interface

4.1.1 User interface

Button	Designation	Description
	"Standby" key	Switch on the programming unit; Put programming unit and heating appliance into standby mode
	"OK" button	Selection; Confirm settings
	"Menu" key	Call up and exit menu
	"+" key	Call up menu items; Change settings
	"-" key	Call up menu items; Change settings

4.1.2 Display

If no user action occurs for 20 seconds, the backlight switches off. Press any button to switch the background lighting on again.

Symbols

Symbol	Description
	Time display: Indication of the current time or a programmed start time Timer mode: The appliance heats in accordance with the enabled time program.
	Comfort mode: The appliance maintains the set comfort temperature. Standard setting: 21.0 °C. Use this setting for comfortable room temperatures when someone is present.
	Setback mode: The appliance maintains the set setback temperature. Standard setting: 18.0 °C. Use this setting e.g. at night or when absent for several hours.
	Frost protection: The frost protection symbol is displayed if the set room temperature is set to 7.0 °C. Use this setting to protect an unused room from frost damage.
	Adaptive start: In timer mode, the heating appliance switching times are adjusted to ensure that, at the programmed start time, the respective set room temperature is already reached. Conditions: The "adaptive start" function is enabled (see chapter "Settings / Standard menu").

Symbol	Description
	Window open detection: To avoid unnecessary energy consumption while venting, the appliance automatically switches to frost protection mode for one hour when a window is open. The "window open detection" symbol flashes. After venting, frost protection mode can be terminated manually by pressing "+", "-" or "OK". The appliance then heats to the set room temperature again. Conditions: Window open detection is enabled (see chapter "Settings / Standard menu").
	User interface lock: To lock or unlock the user interface, press and hold "+" and "-" simultaneously for 5 seconds.
	Heating enabled: The appliance is heating to maintain the set room temperature.
	Room temperature display
	Editable parameter: The parameter shown can be changed using "+" and "-".
	External input (FP): CWM U series appliances can be connected to an external control unit. Depending on the control unit settings, the appliance heats at specific times of the day in comfort, setback or frost protection mode, or does not heat at all.
	Days of the week: 1 = Monday, 2 = Tuesday ... 7 = Sunday

4.2 Switching the appliance on and off

Note
For a short time after initial start-up and after longer breaks in use, a smell may develop.

The appliance is ready for operation as soon as it has been fixed to the wall and plugged into the mains.

- ▶ Switch the appliance on or off using the ON/OFF switch on the right-hand side of the appliance.
- ▶ Switch the appliance off when not in use for longer periods (e.g. during the summer months).

All settings remain intact after switching off or after an interruption to the power supply. This appliance is equipped with a power reserve that ensures the day of the week and the time are saved for several hours.

Note
If the appliance was in timer mode before being switched off for a longer period of time, you will be prompted to set the day and time after switching it on. Until this setting is made, the appliance will operate in comfort mode.

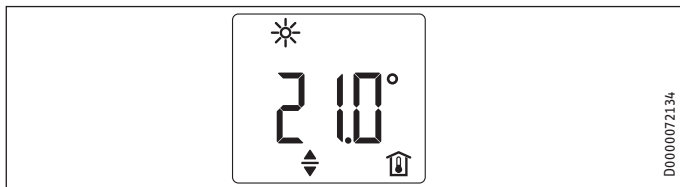
4.3 Standby mode

Material losses
In standby mode, the appliance will not switch on heating under any circumstances. There will be no frost protection.

- ▶ To switch on the programming unit, press "Standby". The standard display appears.
- ▶ To put the programming unit and the heating appliance into standby mode, press "Standby". The display shows "----".

5. Settings

5.1 Standard display



The default display is continuously displayed. If no user action is performed for longer than 20 seconds while in the menu, the appliance automatically switches to the default display.

The default display shows the current set room temperature as well as the "Editable parameter" symbol. You can use "+" and "-" to change the set room temperature.

If the set room temperature corresponds to one of the values set for the comfort or setback temperature, the symbol for the corresponding operating mode (comfort mode, setback mode) appears in the menu bar.

The set room temperature can also be changed manually when in timer mode. The changed set room temperature is maintained until the next programmed switching point is reached.

5.2 Standard menu

To access the standard menu, briefly press "Menu". You can now call up the following menu items:

Display	Description
	Select day of the week and time
	Select comfort temperature The comfort temperature must be set at least 0.5 °C higher than the setback temperature.
	Select setback temperature
	Switch "Window open detection" function on and off
	Select time program (Pro1, Pro2, Pro3, off) or external input (FP)
	Switch "Adaptive start" function on and off

To change the setting of a menu item, call it up by pressing "+" and "-". Press the "OK" button.

As soon as the "Editable parameter" symbol appears, you can change the setting of the menu item with "+" and "-". Press "OK" to save the setting.

To exit the standard menu, briefly press "Menu". The standard display appears.

5.3 Configuration menu

Display	Description
I1-I2	Actual values
Pro1-Pro3	Time programs
P1-P5	Parameters

In the configuration menu, you can call up actual values, program time programs for timer mode and set parameters.

To access the configuration menu, press and hold "Menu". After approx. 3 seconds, actual value I1 is displayed.

Use "+" and "-" to switch between the individual actual values, time programs and parameters.

To exit the configuration menu, briefly press "Menu". The standard display appears.

5.3.1 Actual values

The following actual values can be called up:

Display	Description	Unit
I1	Actual room temperature	[°C] [°F]
I2	Relative heating time (The counter can be reset via parameter P5.)	[h]



Note
The counter for relative heating time (I2) counts in complete hours how long the appliance heats for. When the appliance is switched off, any heating phase of less than 60 minutes is not recorded.

5.3.2 Time programs

There are three time programs available for using the appliance in timer mode. Time programs Pro1 and Pro2 are factory-set. Time program Pro3 can be set according to your individual requirements.

Display	Description
Pro1	Time program "Daily" - Repeated: Monday to Sunday
Pro2	Time program "Weekdays" - Repeated: Monday to Friday
Pro3	Time program "User defined" - up to 14 comfort phases, freely configurable



Note
To use timer mode, select the required time program in the standard menu (see chapter "Settings / Standard menu").



Note
Ensure the day of the week and the time are set correctly when setting the time programs.

OPERATION

Settings



Note

The following applies to all time programs (Pro1, Pro2, Pro3):

If the end time is later than 23:59 h, the end time will automatically be moved to the next day of the week. The comfort phase is maintained past midnight and will end on the next day at the set end time.

Time programs Pro1 and Pro2

You can specify the comfort mode start and end times with time programs Pro1 and Pro2. During this time period, the appliance heats to the set comfort temperature. Outside this specified time period, the appliance operates in setback mode. This results in a comfort and a setback phase that are repeated daily (Pro1) or every weekday (Pro2).

These phases are factory-set as follows:

- 08:00 h - 22:00 h: Comfort mode
- 22:00 h - 08:00 h: Setback mode



Note

When time program Pro2 is enabled, the appliance operates exclusively in setback mode during the weekend.

To adapt time programs Pro1 and Pro2 according to your needs, proceed as follows:

- ▶ In the configuration menu, use "+" and "-" to call up the required time program.
- ▶ Press the "OK" button.
The start time for comfort mode is displayed.
- ▶ Use "+" and "-" to set the required start time.
- ▶ Press the "OK" button.
The end time for comfort mode is displayed.
- ▶ Use "+" and "-" to set the required end time.
- ▶ Press "OK" to save.

Time program Pro3

You can use time program Pro3 to specify up to 14 separate comfort phases which are repeated weekly.

To configure a comfort phase in time program Pro3:

- ▶ In the configuration menu, use "+" and "-" to call up time program Pro3.
- ▶ Press the "OK" button.
The display shows "3---".
- ▶ Press the "OK" button.
A day of the week or a group of days is displayed.
- ▶ Use "+" and "-" to select the required day or group of days.
- ▶ Press the "OK" button.
The start time for comfort mode is displayed.
- ▶ Use "+" and "-" to set the required start time.
- ▶ Press the "OK" button.
The end time for comfort mode is displayed.
- ▶ Use "+" and "-" to set the required end time.

- ▶ Press the "OK" button.
Comfort phase "3-01" has been configured.
- ▶ To configure a further comfort phase, use "+" and "-" in time program Pro3 to select display "3---". Proceed as describe above.



Note

To reset the selected comfort phases, activate parameter P4.

- ▶ Please note that activating parameter P4 resets all time programs (Pro1, Pro2, Pro3) to the factory setting.

5.3.3 Parameters

You can call up the following parameters:

Display	Description	Options
P1	Room temperature offset	± 3 °C ± 5 °F
P2	Time format	12 h 24 h
P3	Temperature display units	°C °F
P4	Reset time programs (timer mode).	on off
P5	Reset relative heating time	on off

To change the value of a parameter, use "+" and "-" to call up the relevant parameter. Press the "OK" button.

As soon as the "Editable parameter" symbol appears, you can change the parameter value with "+" and "-". Press "OK" to save the selected value.

P1: Room temperature offset

Uneven temperature distribution in the room can result in a difference between displayed actual temperature I1 and the room temperature you measure yourself. To compensate for this difference, a room temperature offset of ± 3 °C can be set via parameter P1.

Example: The appliance indicates I1 = 21.0 °C. You have measured a room temperature of 20.0 °C. There is a difference of 1.0 °C.

- ▶ To compensate for the difference, select an offset of P1 = -1.0.

P2: Time format

Parameter P2 is used to specify whether to display the time in 12 hour or 24 hour format.

P3: Temperature display units

Parameter P3 is used to specify whether the room temperature is displayed in degrees Centigrade [°C] or in degrees Fahrenheit [°F].

P4: Reset time programs

Activating parameter P4 resets all time programs to the factory setting.

P5: Reset relative heating time

Activating parameter P5 resets the counter for relative heating time (I2).

6. Cleaning, care and maintenance

The appliance contains no user serviceable parts.



Material losses

- Never spray cleaning spray into the air slot.
- Ensure that no moisture can enter the appliance.

- If a pale brownish discolouration appears on the appliance casing, wipe it off with a damp cloth.
- Clean the appliance when cold with ordinary cleaning products. Avoid abrasive or corrosive cleaning products.



Note

We recommend having the control components checked as part of regular maintenance.

- ▶ Have a qualified contractor check the safety and control components no more than 10 years after commissioning.

7. Troubleshooting

Problem	Cause	Remedy
Room does not get warm enough. Appliance does not get hot.	Temperature set too low on the appliance.	Check the selected room temperature. Adjust if necessary.
	No power supply.	Check position of the ON/OFF switch, RCD and fuse/MCB in your fuse box.
Room does not get warm enough although the appliance is hot.	Overheating. High limit safety cut-out limits heating output.	Eliminate the cause (dirt or obstructions at the air inlet or outlet). Observe minimum clearances.
	The heat demand of the room is higher than appliance output.	Remove heat losses (Close windows and doors. Avoid constant venting.)
Room gets too hot.	Temperature set too high on the appliance.	Check the selected room temperature. Adjust if necessary.
	Detected room temperature does not match actual room temperature.	Avoid obstructions to air change between appliance and indoor air.
Window open detection does not respond.	Appliance does not detect a pronounced temperature drop due to venting. (Window open detection requires previously stable room temperature.)	Wait a while after making settings on the appliance, until the room temperature has fully stabilised.
		Avoid obstructions to air change between appliance and indoor air.
		Manually switch the appliance into standby mode for the duration of venting.
"Adaptive start" function does not work as required.	Window open detection is not enabled.	Switch on window open detection in the standard menu.
	This function is only effective in timer mode.	Use the timer mode for optimised heating convenience.
	Severely fluctuating room temperature or the appliance learning procedure has not been completed.	Wait a few days for behaviour to stabilise.
	"Adaptive start" function is not enabled.	Switch on the "Adaptive start" function in the standard menu.

Problem	Cause	Remedy
Appliance is in "FP" program but does not respond to external input.	When the appliance does not detect a signal at the external input, it heats in comfort mode.	Check external control unit and its settings. Wiring must be installed correctly and with correct polarity.
"Err" or "E..." is displayed.	Internal fault detected.	Notify the qualified contractor.

If you cannot remedy the fault, contact your qualified contractor. To facilitate and speed up your request, provide the number from the type plate (000000-0000-000000).

INSTALLATION

8. Safety

Only a qualified contractor should carry out installation, commissioning, maintenance and repair of the appliance.

8.1 General safety instructions

We guarantee trouble-free function and operational reliability only if original accessories and spare parts intended for the appliance are used.



CAUTION Burns

- Only mount the appliance on a vertical wall that is temperature-resistant to at least 85 °C.
- Maintain the minimum clearances to adjacent objects.



Material losses

- Never install the appliance directly below a wall socket.
- Ensure that the power cable is not in contact with any appliance components.

8.2 Instructions, standards and regulations



Note

Observe all applicable national and regional regulations and instructions.

9. Appliance description

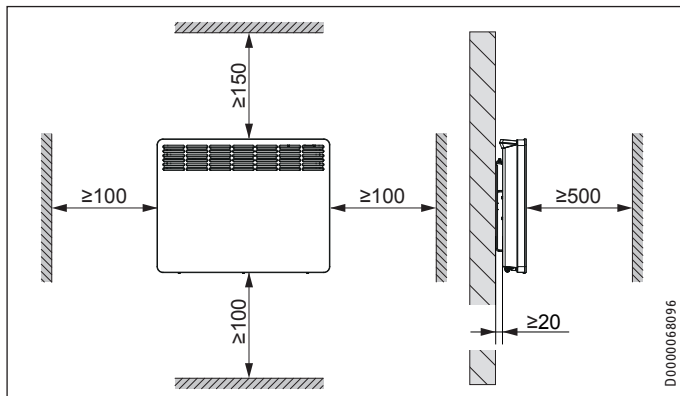
9.1 Standard delivery

The following are delivered with the appliance:

- Wall mounting bracket (hooked into the appliance)

10. Installation

10.1 Minimum clearances



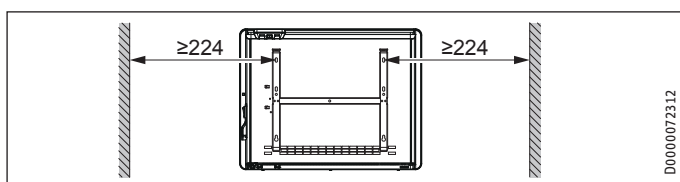
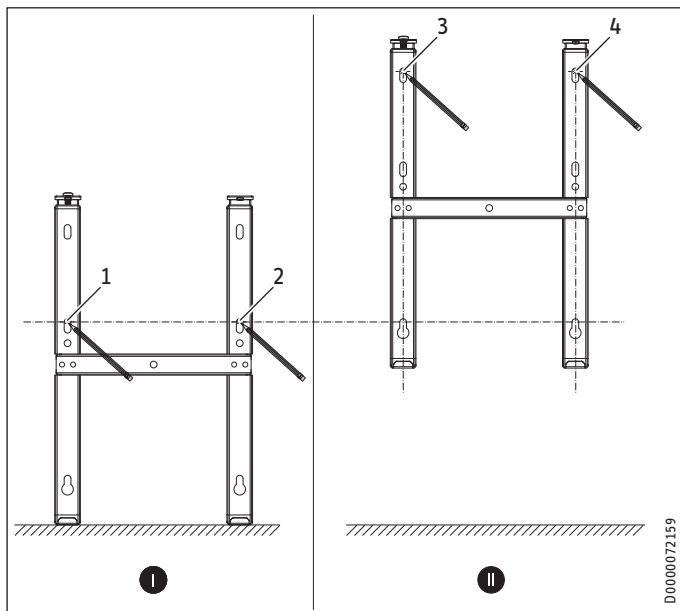
10.2 Installing the wall mounting bracket

The appliance is intended for wall mounting using the wall mounting bracket supplied. The appliance may only be installed horizontally.



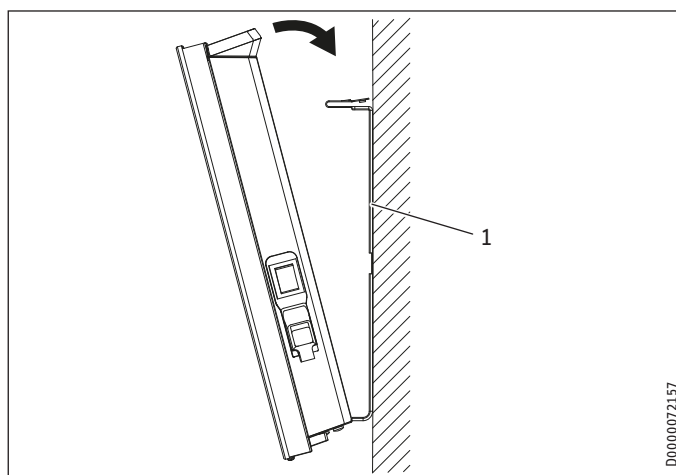
Note

- The wall mounting bracket can be used as a template for wall mounting. This ensures sufficient clearance from the floor.
- Use a spirit level if the floor is uneven or sloping.



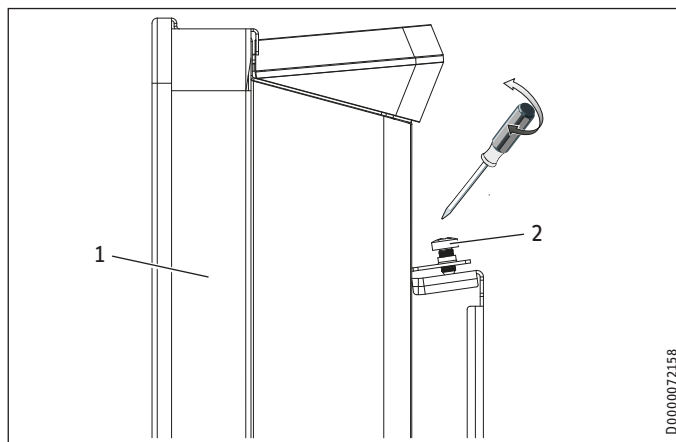
- ▶ Unhook the wall mounting bracket from the appliance.
- ▶ Place the centred wall mounting bracket horizontally on the floor. Mark holes 1 and 2.
- ▶ Lift up the wall mounting bracket so that its lower holes match up with the markings you have just made on the installation wall.
- ▶ Mark holes 3 and 4 on the installation wall.
- ▶ Drill the holes at the 4 markings.
- ▶ Secure the wall mounting bracket with suitable fixing materials (screws, rawl plugs). With the vertical slots, you can compensate for an offset fixing hole.

10.3 Appliance installation



1 Wall mounting bracket

- ▶ Hook the appliance onto the bottom tabs of the wall mounting bracket by the slots in the back of the appliance.
- ▶ Place the appliance in an upright position.
- ▶ Secure the appliance by pushing it towards the wall until it audibly snaps into place in the two upper springs on the wall mounting bracket.



1 Appliance
2 Locking screw

- ▶ Secure the appliance against unintentional release using the supplied locking screw on the left-hand side of the wall mounting bracket.

INSTALLATION

Commissioning

10.4 Removing the appliance

- ▶ Undo and remove the locking screw from the wall mounting bracket.
- ▶ To release the appliance, push down the springs at the top of the wall mounting bracket.
- ▶ Tilt the appliance away from the wall and lift it off the bottom tabs on the wall mounting bracket.

10.5 Electrical connection



WARNING Electrocutation

- Carry out all electrical connection and installation work in accordance with relevant regulations.
- In the case of a permanent connection, the appliance must be able to be separated from the power supply by an isolator that disconnects all poles with at least 3 mm contact separation.
- Do not install the appliance with a fixed power cable.



Note

- Observe the type plate. The specified voltage must match the mains voltage.
- Ensure the on-site supply cable has an adequate cross-section.

10.5.1 CWM P series

The appliance is delivered fully wired. The following electrical connections are permissible:

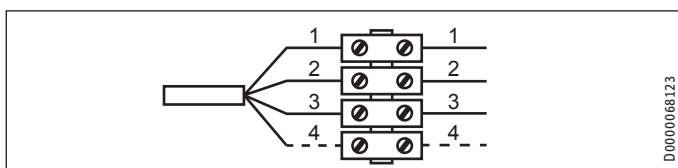
	CWM 500-3000 P
Connection to a freely accessible standard socket with matching plug	X
Permanent connection to an appliance junction box with earth conductor	X

- If connecting the appliance via a socket, ensure that this is easily accessible once the appliance has been installed.
- If connecting the appliance permanently, trim the power cable so that it leads directly to the appliance connection socket. Ensure that, after trimming the power cable, the appliance can still be removed from the wall without a problem.

10.5.2 CWM U series

The appliance is delivered with a power cable without a plug.

- ▶ When wiring the appliance in permanently, connect the 4-core cable to a connection socket as illustrated:



- 1 Neutral conductor = blue
- 2 Live = brown
- 3 Earth conductor = green/yellow
- 4 Control cable = black

There are 3 possible ways to connect the appliance:

- Appliance connection without control cable

Unregulated appliance. The control cable is not connected. In this case, insulate the control cable.

- Temperature setback via control cable

To reduce the temperature to the set setback temperature, the black control cable is activated via an external electronic contact (e.g. a time switch).

- Control cable connected to external control unit

The appliance can be connected to any control unit that issues the following waveforms as control signals.

Instruction	Oscilloscope	Operating mode	Heating temperature
No electrical power		Comfort mode	Subject to set comfort temperature
Complete oscillation 230 V		Setback mode	Subject to set setback temperature
Semi-oscillation negative -115 V		Frost protection	Frost protection temperature
Semi-oscillation positive +115 V		Stop	None
Full oscillation 230 V for 3 seconds		Comfort mode -1 °C	1 °C less than the set comfort temperature
Full oscillation 230 V for 7 seconds		Comfort mode -2 °C	2 °C less than the set comfort temperature

11. Commissioning

The appliance is ready for operation as soon as it has been fixed to the installation wall and plugged into the mains.

- ▶ Remove the protective film from the programming unit.

12. Troubleshooting

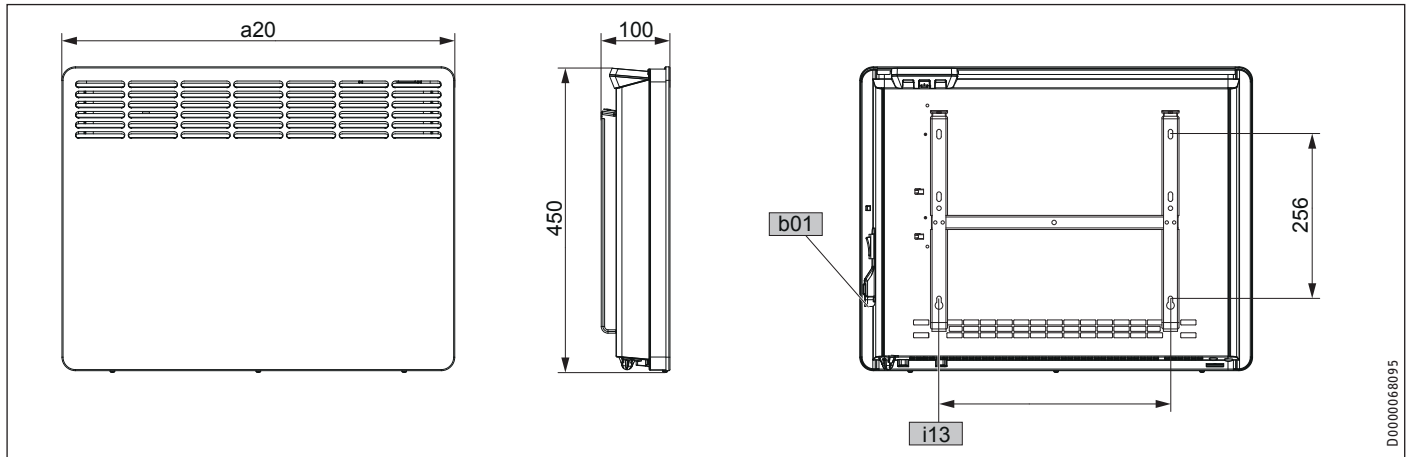
The power cable must only be replaced (for example if damaged) by a qualified contractor authorised by the manufacturer, using an original spare part.

13. Appliance handover

Explain the functions of the appliance to the user. Draw special attention to the safety instructions. Hand over the operating and installation instructions to the user.

14. Specification

14.1 Dimensions and connections



				CWM 500 P/U	CWM 750 P/U	CWM 1000 P/U	CWM 1500 P/U	CWM 2000 P/U	CWM 2500 P/U	CWM 3000 P/U
a20	Appliance	Width	mm	348	426	426	582	738	894	1050
i13	Wall mounting bracket	Horizontal hole spacing	mm	101	179	179	335	491	647	803
b01	Entry electrical cables									

14.2 Energy consumption data

The product data complies with EU regulations relating to the Directive on the ecodesign of energy related products (ErP).

		CWM 500 P/U	CWM 750 P/U	CWM 1000 P/U	CWM 1500 P/U	CWM 2000 P/U	CWM 2500 P/U	CWM 3000 P/U	
CWM P		200254	200255	200256	200257	200258	200259	200260	
CWM U		200261	200262	200263	200264	200265	200266	200267	
Manufacturer		STIEBEL ELTRON	STIEBEL ELTRON	STIEBEL ELTRON	STIEBEL ELTRON	STIEBEL ELTRON	STIEBEL ELTRON	STIEBEL ELTRON	
Heating output									
Rated heating output P_{nom}	kW	0,5	0,8	1,0	1,5	2,0	2,5	3,0	
Minimum heating output (standard value) P_{min}	kW	0,0	0,0	0,0	0,0	0,0	0,0	0,0	
Maximum continuous heating output $P_{max,c}$	kW	0,5	0,8	1,0	1,5	2,0	2,5	3,0	
Auxiliary power consumption									
At rated heating output $e_{l,max}$	kW	0.000	0.000	0.000	0.000	0.000	0.000	0.000	
At minimum heating output $e_{l,min}$	kW	0.000	0.000	0.000	0.000	0.000	0.000	0.000	
In standby $e_{l,SB}$	kW	0.000	0.000	0.000	0.000	0.000	0.000	0.000	
Type of heating output/room temperature control									
Single stage heating output, no room temperature control		-	-	-	-	-	-	-	
Two or more manually selectable stages, no room temperature control		-	-	-	-	-	-	-	
Room temperature control with mechanical thermostat		-	-	-	-	-	-	-	
With electronic room temperature control		-	-	-	-	-	-	-	
Electronic room temperature control and time of day control		-	-	-	-	-	-	-	
Electronic room temperature control and day of week control		x	x	x	x	x	x	x	
Other control options									
Room temperature control with presence detection		-	-	-	-	-	-	-	
Room temperature control with window open detection		x	x	x	x	x	x	x	
With remote control option		-	-	-	-	-	-	-	
With adaptive control of heating start		x	x	x	x	x	x	x	
With operating time limitation		-	-	-	-	-	-	-	
With black bulb sensor		-	-	-	-	-	-	-	

14.3 Data table

		CWM 500 P/U	CWM 750 P/U	CWM 1000 P/U	CWM 1500 P/U	CWM 2000 P/U	CWM 2500 P/U	CWM 3000 P/U
CWM P		200254	200255	200256	200257	200258	200259	200260
CWM U		200261	200262	200263	200264	200265	200266	200267
Electrical data								
Connected load	W	500	750	1000	1500	2000	2500	3000
Power supply		1/N/PE ~ 230 V	1/N/PE ~ 230 V	1/N/PE ~ 230 V	1/N/PE ~ 230 V	1/N/PE ~ 230 V	1/N/PE ~ 230 V	1/N/PE ~ 230 V
Rated current	A	2.2	3.3	4.3	6.5	8.7	10.9	13.0
Frequency	Hz	50/-	50/-	50/-	50/-	50/-	50/-	50/-
Dimensions								
Height	mm	450	450	450	450	450	450	450
Width	mm	348	426	426	582	738	894	1050
Depth	mm	100	100	100	100	100	100	100
Weights								
Weight	kg	4.0	4.6	4.6	6.0	7.7	9.2	10.9
Versions								
Frost protection setting	°C	7	7	7	7	7	7	7
Version		Wall mounted appliance	Wall mounted appliance	Wall mounted appliance	Wall mounted appliance	Wall mounted appliance	Wall mounted appliance	Wall mounted appliance
IP rating		IP24	IP24	IP24	IP24	IP24	IP24	IP24
Protection class		I	I	I	I	I	I	I
Colour		Alpine white	Alpine white	Alpine white	Alpine white	Alpine white	Alpine white	Alpine white
Values								
Setting range	°C	5-30	5-30	5-30	5-30	5-30	5-30	5-30

Guarantee

The guarantee conditions of our German companies do not apply to appliances acquired outside of Germany. In countries where our subsidiaries sell our products a guarantee can only be issued by those subsidiaries. Such guarantee is only granted if the subsidiary has issued its own terms of guarantee. No other guarantee will be granted.

We shall not provide any guarantee for appliances acquired in countries where we have no subsidiary to sell our products. This will not affect warranties issued by any importers.

Environment and recycling

We would ask you to help protect the environment. After use, dispose of the various materials in accordance with national regulations.

REMARQUES PARTICULIÈRES

UTILISATION

1. Remarques générales	14
1.1 Consignes de sécurité	14
1.2 Autres symboles utilisés dans cette documentation	14
1.3 Remarques apposées sur l'appareil	14
1.4 Unités de mesure	14
2. Sécurité	14
2.1 Utilisation conforme	14
2.2 Consignes de sécurité générales	15
2.3 Label de conformité	15
3. Description de l'appareil	15
4. Utilisation	15
4.1 Unité de commande	16
4.2 Mise en marche et arrêt de l'appareil	16
4.3 Mode veille	17
5. Réglages	17
5.1 Affichage standard	17
5.2 Menu principal	17
5.3 Menu de paramétrage	17
6. Nettoyage, entretien et maintenance	19
7. Aide au dépannage	19

INSTALLATION

8. Sécurité	20
8.1 Consignes de sécurité générales	20
8.2 Prescriptions, normes et réglementations	20
9. Description de l'appareil	20
9.1 Fourniture	20
10. Montage	20
10.1 Distances minimales	20
10.2 Montage de la fixation murale	20
10.3 Pose de l'appareil	21
10.4 Démontage de l'appareil	21
10.5 Raccordement électrique	21
11. Mise en service	22
12. Aide au dépannage	22
13. Remise de l'appareil au client	22
14. Données techniques	23
14.1 Cotes et raccordements	23
14.2 Indications relatives à la consommation énergétique	23
14.3 Tableau des données	24

GARANTIE

ENVIRONNEMENT ET RECYCLAGE

REMARQUES PARTICULIÈRES

- Veuillez tenir les enfants de moins de 3 ans éloignés de l'appareil s'ils ne sont pas sous constante surveillance.
- L'appareil peut être allumé et éteint par des enfants âgés de 3 à 7 ans s'ils sont sous surveillance ou s'ils ont été formés à son utilisation en toute sécurité et qu'ils ont compris les dangers encourus. La condition préalable est que l'appareil ait été monté comme décrit. Il est interdit aux enfants de 3 à 7 ans de brancher la prise électrique ou d'intervenir sur la régulation de l'appareil.
- L'appareil peut être utilisé par des enfants de 8 ans et plus ainsi que par des personnes aux facultés physiques, sensorielles ou mentales réduites, ou par des personnes sans expérience, lorsqu'ils sont sous surveillance ou qu'ils ont été formés à l'utilisation en toute sécurité de l'appareil et qu'ils ont compris les dangers encourus.
- Ne laissez pas les enfants jouer avec l'appareil. Ni le nettoyage ni la maintenance relevant de l'utilisateur ne doivent être effectués par des enfants sans surveillance.
- Certaines parties de l'appareil peuvent être à très haute température et causer des brûlures. La présence d'enfants ou de personnes vulnérables requiert une attention particulière.
- Afin d'éviter la surchauffe de l'appareil, veuillez ne pas le couvrir.
- N'installez pas l'appareil directement sous une prise électrique murale.
- En cas de raccordement fixe, l'appareil doit pouvoir être séparé du raccordement secteur par un dispositif de coupure omnipolaire ayant une ouverture minimale des contacts de 3 mm.

Remarques générales

- En cas de détérioration ou de changement du câble d'alimentation, celui-ci doit uniquement être remplacé par une pièce de rechange d'origine, par un installateur agréé par le fabricant.
- Fixez l'appareil comme indiqué dans le chapitre « Installation / Montage ».

UTILISATION

1. Remarques générales

Les chapitres « Remarques particulières » et « Utilisation » s'adressent à l'utilisateur de l'appareil et à l'installateur.

Le chapitre « Installation » s'adresse à l'installateur.



Remarque

Lisez attentivement cette notice avant utilisation et conservez-la.

Remettez cette notice à tout nouvel utilisateur le cas échéant.

1.1 Consignes de sécurité

1.1.1 Structure des consignes de sécurité



MENTION D'AVERTISSEMENT Nature du danger
Sont indiqués ici les risques éventuellement encourus en cas de non-respect de la consigne de sécurité.

► Indique les mesures permettant d'éviter le danger.

1.1.2 Symboles, nature du danger

Symbole	Nature du danger
	Blessure
	Électrocution
	Brûlure (brûlure, ébouillamment)

1.1.3 Mentions d'avertissement

MENTION D'AVERTISSEMENT	Signification
DANGER	Les consignes de sécurité dont le non-respect entraîne de graves lésions, voire la mort.
AVERTISSEMENT	Les consignes de sécurité dont le non-respect peut entraîner de graves lésions, voire la mort.
ATTENTION	Les consignes de sécurité dont le non-respect peut entraîner des lésions légères ou moyennement graves.

1.2 Autres symboles utilisés dans cette documentation



Remarque

Le symbole ci-contre caractérise des remarques générales.

► Lisez attentivement les remarques.

Symbole	Signification
	Dommages matériels (Dégats induits, dommages causés à l'appareil, à l'environnement)
	Recyclage de l'appareil

► Ce symbole indique que vous devez intervenir. Les actions nécessaires sont décrites étape par étape.

1.3 Remarques apposées sur l'appareil

Symbole	Signification
	Ne pas couvrir l'appareil

1.4 Unités de mesure



Remarque

Sauf indication contraire, toutes les cotes sont indiquées en millimètres.

2. Sécurité

2.1 Utilisation conforme

Cet appareil est conçu pour le chauffage de locaux d'habitation.

L'appareil est destiné à une utilisation domestique. Il peut être utilisé sans risque par des personnes qui ne disposent pas de connaissances techniques particulières. L'appareil peut également être utilisé dans un environnement non domestique, par exemple dans de petites entreprises, à condition que son utilisation soit du même ordre.

Tout autre emploi est considéré comme non conforme. Une utilisation conforme de l'appareil implique également le respect de cette notice et de celles des accessoires utilisés.

2.2 Consignes de sécurité générales

**AVERTISSEMENT Blessure**

- Veuillez tenir les enfants de moins de 3 ans éloignés de l'appareil s'ils ne sont pas sous constante surveillance.
- L'appareil peut être allumé et éteint par des enfants âgés de 3 à 7 ans s'ils sont sous surveillance ou s'ils ont été formés à son utilisation en toute sécurité et qu'ils ont compris les dangers encourus. La condition préalable est que l'appareil ait été monté comme décrit. Il est interdit aux enfants de 3 à 7 ans de brancher la prise électrique ou d'intervenir sur la régulation de l'appareil.
- L'appareil peut être utilisé par des enfants de 8 ans et plus ainsi que par des personnes aux facultés physiques, sensorielles ou mentales réduites, ou par des personnes sans expérience, lorsqu'ils sont sous surveillance ou qu'ils ont été formés à l'utilisation en toute sécurité de l'appareil et qu'ils ont compris les dangers encourus.
- Ne laissez pas les enfants jouer avec l'appareil. Ni le nettoyage ni la maintenance relevant de l'utilisateur ne doivent être effectués par des enfants sans surveillance.

**AVERTISSEMENT Blessure**

La température peut s'élever rapidement et de manière importante dans les locaux fermés. Si l'appareil est utilisé dans un local de petite taille et que les personnes s'y trouvant ne peuvent pas procéder à la régulation par elles-mêmes ou quitter le local, il convient d'assurer une surveillance permanente.

**AVERTISSEMENT Brûlure**

N'utilisez pas l'appareil...

- si les distances minimales aux surfaces d'objets voisins ou autres objets inflammables ne sont pas suffisantes.
- dans les locaux où existe un risque d'incendie ou d'explosion en raison de la présence de produits chimiques, poussières, gaz ou vapeurs. Aérez suffisamment le local avant de chauffer.
- à proximité immédiate de conduites ou récipients susceptibles de contenir ou de transporter des matériaux inflammables ou explosibles.
- après une chute de l'appareil, ou après un fonctionnement défectueux, ou si un dysfonctionnement survient.

**AVERTISSEMENT Brûlure**

- Ne placez pas d'objets ou de substances combustibles ou inflammables ni d'isolants thermiques sur l'appareil ou dans sa proximité immédiate.
- Veillez à ne jamais bloquer les ouvertures d'arrivée et de sortie d'air.
- N'intercalez pas d'objet entre l'appareil et le mur.

**AVERTISSEMENT Brûlure**

L'appareil n'est pas prévu pour être utilisé sur socle. Utilisez exclusivement cet appareil avec le support mural fourni (voir chapitre « Installation / Montage »).

**ATTENTION Brûlure**

Certaines parties de l'appareil peuvent être à très haute température et causer des brûlures. La présence d'enfants ou de personnes vulnérables requiert une attention particulière.

**AVERTISSEMENT Surchauffe**

Afin d'éviter la surchauffe de l'appareil, veuillez ne pas le couvrir.

**Dommages matériels**

- Veillez à ce que le câble d'alimentation ne se trouve pas contre l'appareil.
- Ne montez pas sur l'appareil.
- N'utilisez pas l'appareil à l'extérieur.

2.3 Label de conformité

Voir la plaque signalétique sur l'appareil.

3. Description de l'appareil

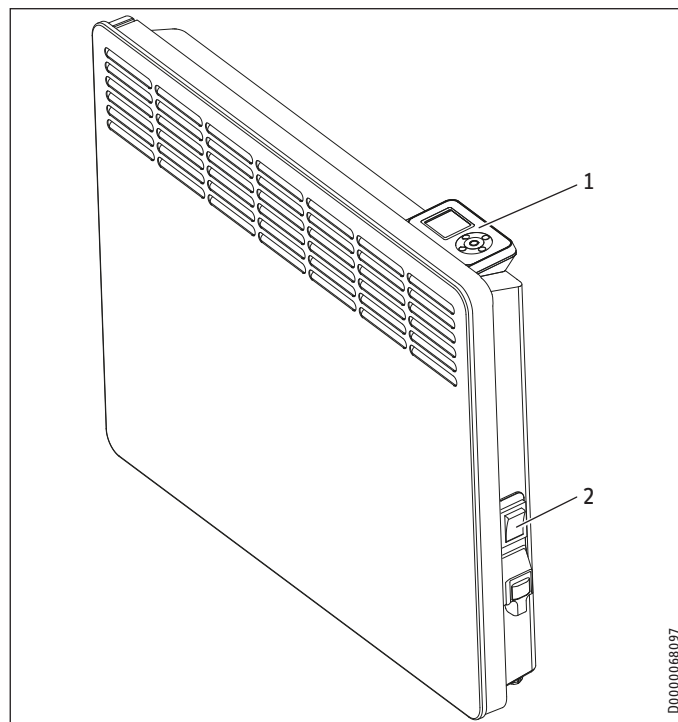
Cet appareil est un appareil de chauffage électrique mural direct.

L'appareil peut servir de chauffage principal ou bien de chauffage d'appoint ou de mi-saison dans les locaux de taille réduite.

L'air est chauffé dans l'appareil par un corps de chauffe et ressort par convection naturelle par la grille supérieure. Parallèlement, de l'air ambiant frais pénètre par l'entrée d'air située sous l'appareil.

Lorsque la température ambiante de consigne est atteinte, elle est maintenue par un chauffage intermittent.

4. Utilisation



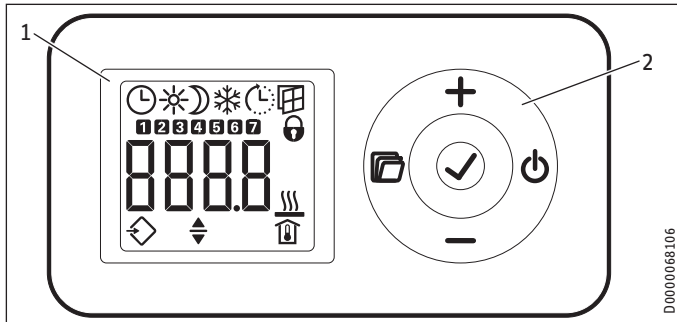
- 1 Unité de commande
- 2 Interrupteur principal

UTILISATION

Utilisation

4.1 Unité de commande

L'unité de commande se situe dans la partie supérieure droite de l'appareil.



- 1 Affichage
- 2 Module de commande

4.1.1 Module de commande

Touche	Dénomination	Description
	Touche « veille »	Allumer l'unité de commande ; Mise en position veille de l'unité de commande et du convecteur
	Touche « OK »	Sélection ; Confirmation des réglages
	Touche « Menu »	Appeler et quitter les menus
	Touche « + »	Accès aux rubriques des menus ; Modification des réglages
	Touche « - »	Accès aux rubriques des menus ; Modification des réglages

4.1.2 Affichage

En l'absence d'action de l'utilisateur pendant 20 secondes, le rétro-éclairage s'éteint. Appuyez sur une touche quelconque pour réactiver le rétro éclairage.

Symboles

Symbole	Description
	Horloge : affichage de l'heure courante ou d'une heure de démarrage programmée Mode programmeur : L'appareil chauffe en fonction du programme en cours.
	Mode confort : L'appareil régule à la température de confort pré-réglée. Par défaut : 21 °C. Conserver ce réglage pour une température ambiante de confort en présence des occupants.
	Mode réduit : L'appareil régule à la température réduite pré-réglée. Par défaut : 18 °C. Utilisez ce réglage la nuit ou en cas d'absence des occupants pendant quelques heures.
	Protection hors gel : Lorsque la température ambiante de consigne est réglée sur 7,0 °C, le symbole de protection hors gel est affiché. Utilisez ce réglage pour la protection hors gel d'un local inutilisé.
	Démarrage adapté : En mode programmeur, l'heure de démarrage du convecteur est adaptée en fonction de la durée nécessaire pour atteindre la température ambiante de consigne à l'heure programmée. Condition requise : la fonction « démarrage adapté » est activée (voir chapitre « Réglages / Menu principal »).

Symbole Description

	Détection de fenêtre ouverte : Pour éviter les consommations inutiles d'énergie lors de l'aération des locaux, l'appareil passe automatiquement en mode protection hors gel pendant une heure lorsqu'une fenêtre est ouverte. L'icône « Fenêtre ouverte » clignote. Vous pouvez quitter le mode protection hors gel après l'aération en activant manuellement une des touches « + », « - » ou « OK ». L'appareil chauffe de nouveau le local à la température ambiante de consigne pré-réglée. Condition requise : La détection de fenêtre ouverte est activée (voir chapitre « Réglages / Menu principal »).
	Verrouillage des commandes : pour verrouiller ou déverrouiller l'unité de commande, maintenez les touches « + » et « - » appuyées simultanément pendant 5 secondes.
	Chauffage actif : l'appareil chauffe pour maintenir la température ambiante de consigne pré-réglée.
	Affichage de la température ambiante
	Paramètre modifiable : le paramètre affiché peut être modifié à l'aide des touches « + » ou « - ».
	Entrée externe (FP) : Les appareils de type CWM U peuvent être raccordés à une unité de commande externe. L'appareil chauffe en mode confort, réduit ou protection hors gel selon les horaires paramétrés sur l'appareil de commande, ou il ne chauffe pas du tout.
	Jours de la semaine : 1 = lundi, 2 = mardi... 7 = dimanche

4.2 Mise en marche et arrêt de l'appareil



Remarque

Lors de la première mise en service ou suite à un arrêt de fonctionnement prolongé, des odeurs peuvent se dégager temporairement.

L'appareil est prêt à fonctionner dès qu'il a été fixé au mur et branché sur une prise secteur.

- ▶ Allumez ou éteignez l'appareil en actionnant l'interrupteur situé sur le côté droit.
- ▶ En cas d'inutilisation prolongée, (pendant l'été par exemple), éteignez l'appareil.

Les paramétrages restent conservés lorsque l'appareil est éteint ou lors d'une coupure de courant. Cet appareil possède une certaine autonomie permettant de conserver le jour de la semaine et l'heure courants pendant plusieurs heures.



Remarque

Lors d'une remise en marche après un arrêt prolongé alors que l'appareil était en mode programmeur, il vous sera demandé de procéder à un nouveau réglage de l'heure et du jour de la semaine courants. L'appareil fonctionnera en mode confort jusqu'à ce que ce réglage soit effectué.

4.3 Mode veille



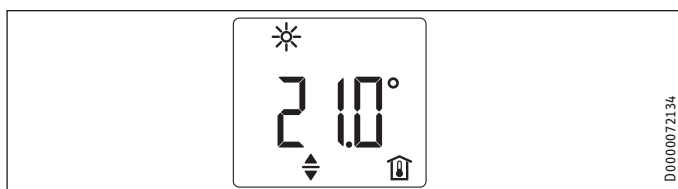
Dommages matériels

En mode veille le chauffage n'est jamais mis en marche. La protection hors gel n'est pas assurée.

- ▶ Pour allumer l'unité de commande, appuyez sur la touche « Veille ». L'affichage standard apparaît.
- ▶ Pour que l'unité de commande et le convecteur passent en mode veille, appuyez sur la touche « Veille ». L'écran affiche « ---- ».

5. Réglages

5.1 Affichage standard



L'écran par défaut reste affiché en permanence. Si vous vous trouvez dans le menu et n'effectuez aucune commande pendant 20 secondes, l'appareil repasse automatiquement à l'affichage par défaut.

Celui-ci indique la température ambiante de consigne en cours ainsi que l'icône « Paramètre modifiable ». Vous pouvez modifier cette température de consigne à l'aide des touches « + » et « - ».

Lorsque la température ambiante de consigne correspond à la valeur pré-réglée pour la température de confort ou réduite, l'icône correspondant au mode de fonctionnement s'affiche dans la barre de menu (confort ou réduit).

La température ambiante de consigne peut également être modifiée en mode programmeur. La température ambiante de consigne reste maintenue jusqu'à la fin de la plage horaire programmée.

5.2 Menu principal

Pour accéder au menu principal, appuyez brièvement sur la touche « Menu ». Vous pouvez alors accéder aux rubriques suivantes :

Affichage	Description
	Réglage du jour de la semaine et de l'heure
	Réglage de la température de confort La température de confort doit être supérieure d'au moins 0,5 °C à la température réduite.
	Réglage de la température réduite

Affichage	Description
	Activation / désactivation de la fonction « Détection de fenêtre ouverte »
	Sélection du programme de temporisation (Pro1, Pro2, Pro3, off) ou de l'entrée externe (FP)
	Activation / désactivation de la fonction « Démarrage adapté »

Si vous souhaitez modifier les valeurs d'une rubrique de menu, appelez celle-ci à l'aide des touches « + » et « - ». Appuyez sur la touche « OK ».

La modification par les touches « + » et « - » est possible si l'icône « Paramètre modifiable » est affichée. Appuyez sur la touche « OK » pour enregistrer le réglage.

Pour quitter le menu principal, appuyez sur la touche « Menu ». L'affichage standard apparaît.

5.3 Menu de paramétrage

Affichage	Description
I1-I2	Valeurs réelles
Pro1-Pro3	Programmes de temporisation
P1-P5	Paramètre

Dans le menu de paramétrage, vous pouvez accéder aux valeurs réelles régissant la programmation et définir divers paramètres.

Pour accéder au menu de paramétrage, maintenez la touche « Menu » appuyée. La valeur réelle I1 s'affiche après 3 secondes env.

Vous pouvez naviguer entre les différentes valeurs réelles et entre les différents programmes et paramètres à l'aide des touches « + » et « - ».

Pour quitter le menu de paramétrage, appuyez sur la touche « Menu ». L'affichage standard apparaît.

5.3.1 Valeurs réelles

Vous pouvez accéder aux valeurs réelles suivantes :

Affichage	Description	Unité
I1	Valeur réelle de la température ambiante	[°C] [°F]
I2	Temps de chauffe relatif (le paramètre P5 permet de réinitialiser ce compteur)	[h]



Remarque

Le compteur du temps de chauffe relatif (I2) additionne le temps pendant lequel le convecteur a effectivement chauffé, en heures pleines. Lorsque l'appareil est éteint, les phases de chauffe inférieures à 60 minutes ne sont pas comptées.

5.3.2 Programmes de temporisation

Vous disposez de 3 programmes pour le fonctionnement en mode programmateur. Les programmes Pro1 et Pro2 sont préconfigurés en usine. Vous pouvez définir le programme Pro3 selon vos besoins personnels.

Affichage	Description
Pro1	Programme « tous les jours » - répétition : du lundi au dimanche
Pro2	Programme « jours ouvrables » - répétition : du lundi au vendredi
Pro3	Programme « personnalisé » - jusqu'à 14 phases de confort en configuration libre



Remarque

Si vous désirez utiliser le programmateur, vous devez choisir le programme qui vous convient dans le menu principal (voir chapitre « Réglages / Menu principal »).



Remarque

Lors de la programmation, assurez-vous que l'heure et le jour de la semaine courants sont corrects.



Remarque

La remarque suivante est valable pour chacun des programmes (Pro1, Pro2, Pro3) : si la plage programmée se termine après 23 h 59, l'horaire de fin sera automatiquement reporté sur le jour suivant. La plage de confort sera maintenue après minuit et se terminera le lendemain à l'heure programmée.

Programmes Pro1 et Pro2

Les programmes Pro1 et Pro2 permettent de définir les horaires de démarrage et de fin du fonctionnement en mode confort. Durant cette période, l'appareil chauffe à la température de confort pré-réglée. En dehors de cette plage, il fonctionne en mode réduit. Vous pouvez ainsi programmer une phase confort et une phase de fonctionnement à température réduite pour tous les jours de la semaine (Pro1) ou différente pour chaque jour (Pro2).

La configuration usine est la suivante :

- de 08 h 00 à 22 h 00 : Mode CONFORT
- de 22 h 00 à 08 h 00 : Mode réduit



Remarque

Si le programme Pro2 est activé, l'appareil fonctionne exclusivement en mode réduit pendant le weekend.

Procédez comme suit pour adapter les programmes Pro1 et Pro2 à vos besoins :

- ▶ dans le menu de paramétrage, appelez le programme souhaité à l'aide des touches « + » et « - ».
- ▶ Appuyez sur la touche « OK ». L'heure de départ du mode confort s'affiche.
- ▶ Programmez l'heure de départ souhaitée à l'aide des touches « + » et « - ».
- ▶ Appuyez sur la touche « OK ». L'heure de fin du mode confort s'affiche.

- ▶ Programmez l'heure de fin souhaitée à l'aide des touches « + » et « - ».
- ▶ Appuyez sur la touche « OK » pour enregistrer ces horaires.

Programme Pro3

Avec le programme Pro3, vous pouvez définir jusqu'à 14 plages horaires de mode confort séparées, celles-ci se répétant à l'identique d'une semaine sur l'autre.

Procédez comme suit pour paramétrer une plage horaire du programme Pro3 :

- ▶ dans le menu de paramétrage, appelez le programme Pro3 à l'aide des touches « + » et « - ».
- ▶ Appuyez sur la touche « OK ». L'écran affiche « 3--- ».
- ▶ Appuyez sur la touche « OK ». L'écran affiche un jour / un groupe de jours de la semaine.
- ▶ Définissez le jour / le groupe de jours de la semaine souhaité à l'aide des touches « + » et « - ».
- ▶ Appuyez sur la touche « OK ». L'heure de départ du mode confort s'affiche.
- ▶ Programmez l'heure de départ souhaitée à l'aide des touches « + » et « - ».
- ▶ Appuyez sur la touche « OK ». L'heure de fin du mode confort s'affiche.
- ▶ Programmez l'heure de fin souhaitée à l'aide des touches « + » et « - ».
- ▶ Appuyez sur la touche « OK ». La plage de confort « 3-01 » est paramétrée.
- ▶ Pour paramétrer une plage horaire confort supplémentaire, choisissez l'affichage « 3--- » à l'aide des touches « + » et « - » dans le programme Pro3. Procédez ensuite comme décrit plus haut.



Remarque

Activez le paramètre P4 pour réinitialiser les phases confort programmées.

- ▶ À noter que tous les programmes de temporisation (Pro1, Pro2, Pro3) sont réinitialisés à leur configuration d'origine par l'activation du paramètre P4.

5.3.3 Paramètre

Vous pouvez accéder aux paramètres suivants pour modification :

Affichage	Description	Options
P1	Décalage température ambiante	±3 °C ±5 °F
P2	Format de l'heure	12 h 24 h
P3	Unité de température	°C °F
P4	Réinitialisation des programmes (mode programmateur).	on off
P5	Réinitialisation du temps de chauffe relatif	on off

Si vous souhaitez modifier la valeur d'un paramètre, appelez celui-ci à l'aide des touches « + » et « - ». Appuyez sur la touche « OK ».

La modification de la valeur à l'aide des touches « + » et « - » n'est possible que si l'icône « Paramètre modifiable » est affichée. Appuyez sur la touche « OK » pour enregistrer la valeur paramétrée.

P1: Décalage température ambiante

Une répartition irrégulière de la température dans le local peut être à l'origine d'un écart entre la température réelle I_1 et celle que vous mesurez. Pour compenser cet écart, le paramètre P1 vous permet de définir un décalage de la température ambiante de ± 3 °C.

Exemple : L'appareil affiche $I_1 = 21$ °C. Vous avez mesuré une température de 20 °C. L'écart constaté est de 1 °C.

- Pour compenser cet écart, vous devez définir un décalage de $P1 = -1$.

P2: Format de l'heure

Le paramètre P2 vous permet de définir le format horaire sur 12 ou 24 heures.

P3: Unité de température

Avec le paramètre P3, il est possible de définir si la température ambiante doit être exprimée en degrés Celsius [°C] ou en degrés Fahrenheit [°F].

P4: Réinitialisation des programmes

En activant le paramètre P4, vous réinitialisez tous les programmes à leur configuration d'origine.

P5: Réinitialisation du temps de chauffe relatif

En activant le paramètre P5, vous réinitialisez le compteur du temps de chauffe relatif (I2).

6. Nettoyage, entretien et maintenance

Cet appareil ne contient aucune pièce nécessitant une maintenance par l'utilisateur.

**Dommages matériels**

- Ne vaporisez pas de nettoyant en spray dans la fente de passage d'air.
- Évitez toute pénétration d'humidité dans l'appareil.
- Si une légère coloration brune apparaît sur l'enveloppe de l'appareil, éliminez-la en frottant avec un chiffon humide.
- Nettoyez l'appareil, lorsqu'il a refroidi, avec des produits d'entretien usuels. Évitez les produits d'entretien abrasifs et corrosifs.

**Remarque**

Nous recommandons de faire vérifier les dispositifs de contrôle et de régulation lors des visites de maintenance régulières.

- Faites appel à un professionnel au plus tard 10 ans après la première mise en service pour qu'il vérifie les dispositifs de sécurité, de contrôle et de régulation.

7. Aide au dépannage

Problème	Cause	Remède
Le local n'est pas suffisamment chauffé. L'appareil n'est pas chaud.	La température réglée sur l'appareil est trop basse.	Contrôlez le réglage de température ambiante. Adaptez le réglage si nécessaire.
	Pas d'alimentation électrique.	Contrôlez la position de l'interrupteur principal, ainsi que le disjoncteur différentiel et la protection au tableau de répartition.
Le local n'est pas suffisamment chauffé bien que l'appareil soit chaud.	Surchauffe. Le limiteur de sécurité limite la puissance calorifique.	Éliminez la cause (encrassement ou obstacles à l'entrée ou à la sortie d'air). Respectez les distances minimales !
	La puissance de l'appareil ne permet pas de couvrir les besoins de chaleur du local.	Éliminez les pertes calorifiques (fermez les fenêtres et les portes. Évitez les aérations permanentes.)
Le local est trop chaud.	La température réglée sur l'appareil est trop élevée.	Contrôlez le réglage de température ambiante. Adaptez le réglage si nécessaire.
	La température détectée par l'appareil diffère de la température ambiante effective.	Évitez la présence d'obstacles entravant la circulation d'air entre l'appareil et le local.
La détection de fenêtre ouverte ne réagit pas.	L'appareil ne détecte pas clairement la chute de température provoquée par l'aération. (La détection de fenêtre ouverte présume une température ambiante stable.)	Après réglage de l'appareil, attendez que la température ambiante se soit stabilisée.
		Évitez la présence d'obstacles entravant la circulation d'air entre l'appareil et le local.
		Mettez manuellement l'appareil en mode veille tout le temps de l'aération.
	La détection de fenêtre ouverte n'est pas activée.	Activez la détection de fenêtre ouverte dans le menu principal.
La fonction « Démarrage adapté » n'agit pas comme prévu.	Cette fonction n'a d'effet qu'en mode programmeur.	Utilisez le mode programmeur pour obtenir un confort optimal.
	La température ambiante fluctue fortement / la procédure d'apprentissage n'est pas finalisée.	Attendez quelques jours que le comportement se soit stabilisé.
	La fonction « Démarrage adapté » n'est pas activée.	Activez la fonction « Démarrage adapté » dans le menu principal.
Le programme « FP » est activé mais l'appareil ne réagit pas à l'entrée externe.	Si l'appareil ne détecte pas de signal à l'entrée externe, le chauffage fonctionne en mode confort.	Vérifiez l'appareil de commande externe et ses réglages. Le câblage doit être correctement réalisé en respectant les polarités.
L'écran affiche « Err » ou « E... ».	Une erreur interne a été détectée.	Veillez en informer votre installateur.

Appelez votre installateur si vous ne réussissez pas à résoudre le problème. Pour obtenir une aide efficace et rapide, communiquez-lui le numéro indiqué sur la plaque signalétique (000000-000000).

INSTALLATION

8. Sécurité

L'installation, la mise en service, la maintenance et les réparations de cet appareil ne doivent être effectuées que par un installateur qualifié.

8.1 Consignes de sécurité générales

Nous ne garantissons le bon fonctionnement et la sécurité de l'appareil que si des accessoires et pièces de rechange d'origine sont utilisés.



ATTENTION Brûlure

- Ne fixez l'appareil que sur une paroi verticale capable de résister au moins à une température de 85 °C.
- Respectez les distances minimales d'espacement avec les objets avoisinants.



Dommages matériels

- N'installez pas l'appareil directement sous une prise électrique murale.
- Veillez à ce que le câble d'alimentation ne soit en contact avec aucune pièce de l'appareil.

8.2 Prescriptions, normes et réglementations



Remarque

Respectez toutes les prescriptions et réglementations nationales et locales en vigueur.

9. Description de l'appareil

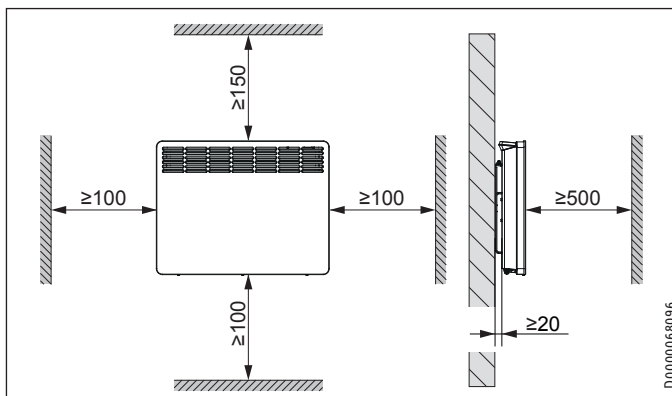
9.1 Fourniture

Sont fournis avec l'appareil :

- Fixation murale (accrochée à l'appareil)

10. Montage

10.1 Distances minimales



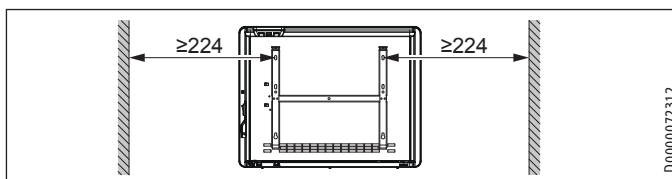
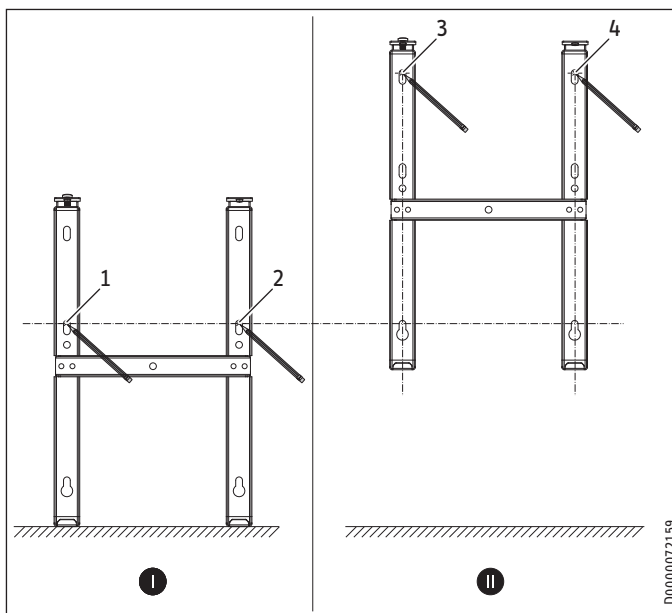
10.2 Montage de la fixation murale

L'appareil est prévu pour une pose murale à l'aide du support fourni. L'appareil doit être impérativement posé horizontalement.



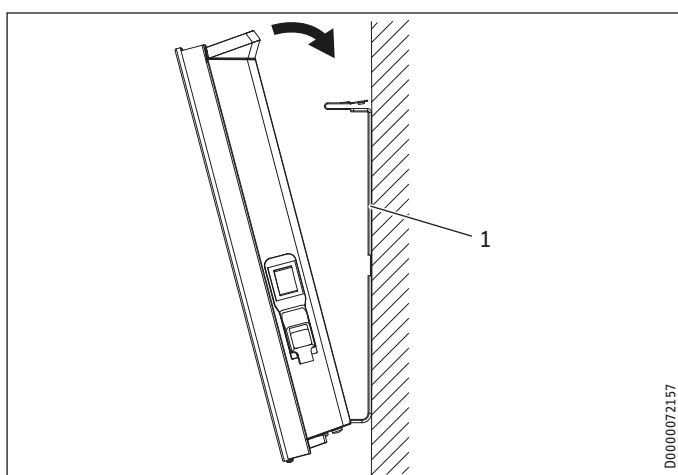
Remarque

- Le support mural peut servir de gabarit de pose. Il permet de respecter la distance nécessaire par rapport au sol.
- Si le sol est irrégulier ou incliné, utilisez un niveau.



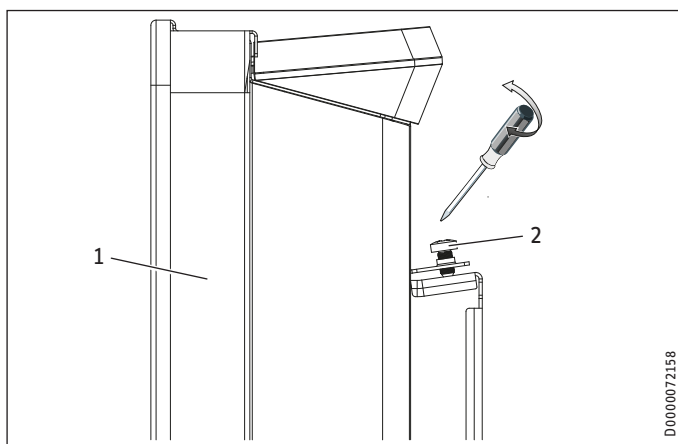
- ▶ Débranchez le support mural de l'appareil.
- ▶ Posez le support mural horizontalement au sol en le centrant. Tracez les perçages 1 et 2.
- ▶ Relevez le support mural de sorte que ses trous de fixation inférieurs viennent au droit des traçages que vous venez de pratiquer sur le mur.
- ▶ Repérez les perçages 3 et 4 sur le mur.
- ▶ Percez les 4 trous de fixation sur les 4 repères.
- ▶ Fixez le support mural à l'aide d'un matériel de fixation adéquat (vis, chevilles). Les trous oblongs verticaux permettent de compenser un trou de fixation décentré.

10.3 Pose de l'appareil



1 Support mural

- ▶ Accrochez l'appareil en introduisant ses fentes situées dans la face arrière sur les languettes inférieures du support mural.
- ▶ Basculez l'appareil en position verticale.
- ▶ Appuyez l'appareil en direction du mur jusqu'à entendre l'enclenchement des deux languettes-ressort du support.



1 Appareil

2 Vis de sécurité

- ▶ Sécurisez l'appareil contre tout décrochage involontaire en serrant la vis d'arrêt fournie sur le côté gauche du support.

10.4 Démontage de l'appareil

- ▶ Déposez la vis d'arrêt du support mural.
- ▶ Déposez l'appareil en appuyant vers le bas sur les languettes ressort du support.
- ▶ Basculez l'appareil vers l'avant et soulevez-le légèrement de manière à le dégager des languettes inférieures du support.

10.5 Raccordement électrique



AVERTISSEMENT Électrocution

- Exécutez tous les travaux de branchement et d'installation électriques conformément aux prescriptions.
- En cas de raccordement fixe, l'appareil doit pouvoir être déconnecté du secteur par un dispositif de coupure omnipolaire ayant une ouverture minimale des contacts de 3 mm.
- Il est interdit d'effectuer une installation avec un câble de raccordement électrique fixe.



Remarque

- Respectez les indications de la plaque signalétique. La tension indiquée doit correspondre à la tension du secteur.
- Veillez à ce que les câbles d'arrivée installés sur le site présentent des sections suffisantes.

10.5.1 Série CWM P

L'appareil est livré prêt à brancher. Les possibilités de raccordement électrique suivantes sont autorisées :

	CWM 500-3000 P
Branchement sur une prise secteur avec terre facilement accessible avec fiche correspondante	X
Raccordement fixe à une boîte de raccordement avec conducteur de mise à la terre	X

- En cas de branchement sur une prise de courant, veillez à ce que celle-ci soit facilement accessible une fois l'appareil installé.
- Si vous raccordez directement l'appareil à l'alimentation secteur, raccourcissez le câble d'alimentation de sorte qu'il arrive directement à la boîte de raccordement. Lors du raccourcissement du câble d'alimentation, assurez-vous de pouvoir encore décrocher facilement l'appareil du mur.

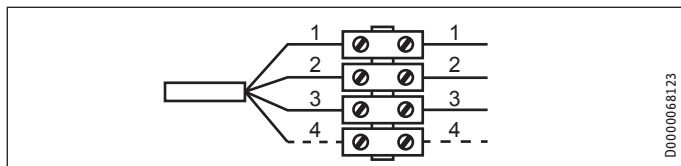
INSTALLATION

Mise en service

10.5.2 Série CWM U

L'appareil est livré avec un câble d'alimentation secteur sans fiche.

- ▶ Effectuez un raccordement fixe en branchant les 4 fils du câble d'alimentation dans le boîtier de sortie de câble comme représenté ci-dessous :



- 1 Conducteur neutre = bleu
- 2 Phase = marron
- 3 Conducteur de mise à la terre = vert/jaune
- 4 Conducteur de commande = noir

Pour raccorder l'appareil, vous avez 3 possibilités :

- Raccordement sans fil pilote

Appareil sans pilotage. Le fil pilote n'est pas raccordé. Dans ce cas, isolez le fil pilote.

- Abaissement de la température commandé par le fil pilote

Pour l'abaissement à la température réduite réglée au thermostat, le fil pilote noir est piloté par un contact électronique externe (d'un programmateur par ex.).

- Raccordement du fil pilote à un appareil de commande externe

Vous pouvez raccorder l'appareil à tout appareil de commande émettant un signal pilote aux formes mentionnées dans le tableau suivant.

Ordre	Oscilloscope	Mode de fonctionnement	Température de chauffe
Aucune tension		Mode confort	En fonction de la température de confort préréglée
Tension 230 V pleine alternance		Mode réduit	En fonction de la température réduite préréglée
Demi-alternance négative -115 V		Protection hors gel	Température de protection hors gel
Demi-alternance positive +115 V		Stop	Aucune
Tension 230 V pleine alternance sur 3 secondes		Mode confort -1 °C	Abaissement d'1 °C par rapport à la température de confort
Tension 230 V pleine alternance sur 7 secondes		Mode confort -2 °C	Abaissement de 2 °C par rapport à la température de confort

11. Mise en service

L'appareil est prêt à fonctionner dès qu'il a été fixé au mur et raccordé au secteur.

- ▶ Retirez le film de protection de l'unité de commande.

12. Aide au dépannage

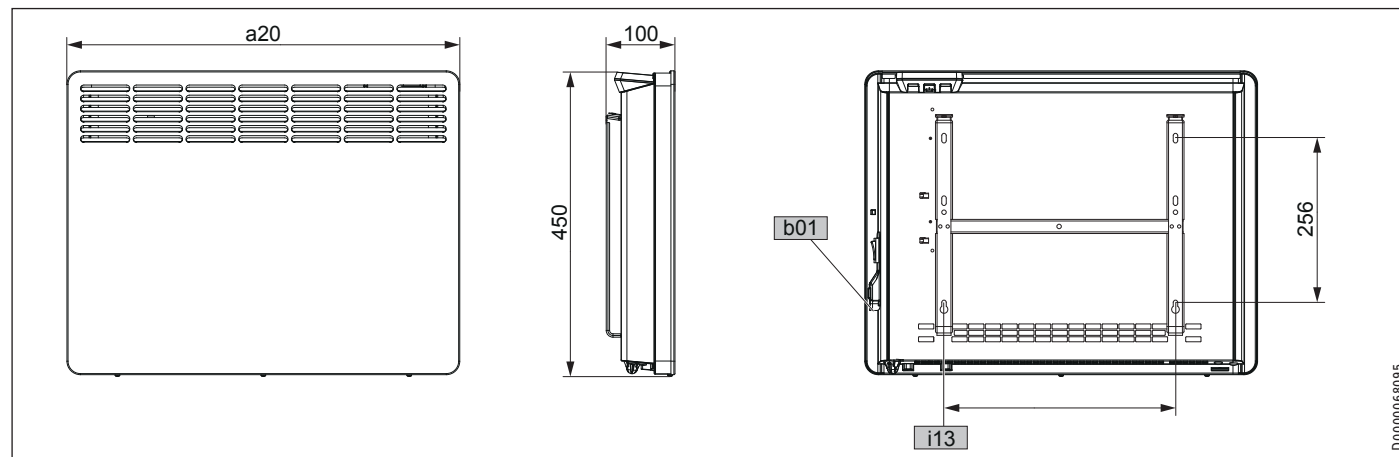
En cas de détérioration ou de changement du câble d'alimentation, celui-ci doit uniquement être remplacé par une pièce de rechange d'origine, par un installateur agréé par le fabricant.

13. Remise de l'appareil au client

Expliquez les différentes fonctions de l'appareil à l'utilisateur. Attirez particulièrement son attention sur les consignes de sécurité. Remettez les instructions d'utilisation et d'installation à l'utilisateur.

14. Données techniques

14.1 Cotes et raccordements



			CWM 500 P/U	CWM 750 P/U	CWM 1000 P/U	CWM 1500 P/U	CWM 2000 P/U	CWM 2500 P/U	CWM 3000 P/U	
a20	Appareil	Largeur	mm	348	426	426	582	738	894	1050
i13	Support mural	Écartement horizontal des trous	mm	101	179	179	335	491	647	803
b01	Passage des câbles électriques									

14.2 Indications relatives à la consommation énergétique

Les caractéristiques du produit correspondent aux prescriptions de la directive UE sur l'écoconception applicable aux produits liés à l'énergie (ErP).

		CWM 500 P/U	CWM 750 P/U	CWM 1000 P/U	CWM 1500 P/U	CWM 2000 P/U	CWM 2500 P/U	CWM 3000 P/U
CWM P		200254	200255	200256	200257	200258	200259	200260
CWM U		200261	200262	200263	200264	200265	200266	200267
Fabricant		STIEBEL ELTRON	STIEBEL ELTRON	STIEBEL ELTRON	STIEBEL ELTRON	STIEBEL ELTRON	STIEBEL ELTRON	STIEBEL ELTRON
Puissance calorifique								
Puissance calorifique nominale P_{nom}	kW	0,5	0,8	1,0	1,5	2,0	2,5	3,0
Puissance calorifique minimale (indicative) P_{min}	kW	0,0	0,0	0,0	0,0	0,0	0,0	0,0
Puissance calorifique maximale en continu $P_{max,c}$	kW	0,5	0,8	1,0	1,5	2,0	2,5	3,0
Consommation courant auxiliaire								
À la puissance calorifique nominale $e_{l,max}$	kW	0,000	0,000	0,000	0,000	0,000	0,000	0,000
À la puissance calorifique minimale $e_{l,min}$	kW	0,000	0,000	0,000	0,000	0,000	0,000	0,000
En veille $e_{l,SB}$	kW	0,000	0,000	0,000	0,000	0,000	0,000	0,000
Type de puissance calorifique / contrôle de la température ambiante								
Puissance calorifique mono allure, pas de contrôle de la température ambiante		-	-	-	-	-	-	-
Une ou deux allures de chauffe réglables manuellement, pas de contrôle de la température ambiante		-	-	-	-	-	-	-
Contrôle de la température ambiante par thermostat mécanique		-	-	-	-	-	-	-
Avec contrôle de la température ambiante électronique		-	-	-	-	-	-	-
Contrôle de la température ambiante électronique et régulation en fonction de l'heure		-	-	-	-	-	-	-
Contrôle de la température ambiante électronique et régulation en fonction du jour de la semaine		x	x	x	x	x	x	x
Autres options de régulation								
Contrôle de la température ambiante avec détection de présence		-	-	-	-	-	-	-
Contrôle de la température ambiante avec détection de fenêtre ouverte		x	x	x	x	x	x	x
Avec options de commande à distance		-	-	-	-	-	-	-
Avec démarrage adapté du chauffage		x	x	x	x	x	x	x
Avec limitation du temps de fonctionnement		-	-	-	-	-	-	-
Avec sonde boule noire		-	-	-	-	-	-	-

Données techniques

14.3 Tableau des données

		CWM 500 P/U	CWM 750 P/U	CWM 1000 P/U	CWM 1500 P/U	CWM 2000 P/U	CWM 2500 P/U	CWM 3000 P/U
CWM P		200254	200255	200256	200257	200258	200259	200260
CWM U		200261	200262	200263	200264	200265	200266	200267
Caractéristiques électriques								
Puissance de raccordement	W	500	750	1000	1500	2000	2500	3000
Raccordement secteur		1/N/PE ~ 230 V	1/N/PE ~ 230 V	1/N/PE ~ 230 V	1/N/PE ~ 230 V	1/N/PE ~ 230 V	1/N/PE ~ 230 V	1/N/PE ~ 230 V
Intensité nominale	A	2,2	3,3	4,3	6,5	8,7	10,9	13,0
Fréquence	Hz	50/-	50/-	50/-	50/-	50/-	50/-	50/-
Dimensions								
Hauteur	mm	450	450	450	450	450	450	450
Largeur	mm	348	426	426	582	738	894	1050
Profondeur	mm	100	100	100	100	100	100	100
Poids								
Poids	kg	4,0	4,6	4,6	6,0	7,7	9,2	10,9
Modèles								
Protection hors gel	°C	7	7	7	7	7	7	7
Version		Appareil mural	Appareil mural	Appareil mural	Appareil mural	Appareil mural	Appareil mural	Appareil mural
Indice de protection (IP)		IP24	IP24	IP24	IP24	IP24	IP24	IP24
Classe de protection		I	I	I	I	I	I	I
Couleur		Blanc alpin	Blanc alpin	Blanc alpin	Blanc alpin	Blanc alpin	Blanc alpin	Blanc alpin
Valeurs								
Plage de réglage	°C	5-30	5-30	5-30	5-30	5-30	5-30	5-30

Garantie

Les conditions de garantie de nos sociétés allemandes ne s'appliquent pas aux appareils achetés hors d'Allemagne. Au contraire, c'est la filiale chargée de la distribution de nos produits dans le pays qui est seule habilitée à accorder une garantie. Une telle garantie ne pourra cependant être accordée que si la filiale a publié ses propres conditions de garantie. Il ne sera accordé aucune garantie par ailleurs.

Nous n'accordons aucune garantie pour les appareils achetés dans des pays où aucune filiale de notre société ne distribue nos produits. D'éventuelles garanties accordées par l'importateur restent inchangées.

Environnement et recyclage

Merci de contribuer à la préservation de notre environnement. Après usage, procédez à l'élimination des matériaux conformément à la réglementation nationale.

BIJZONDERE INFO

BEDIENING

1. Algemene aanwijzingen	26
1.1 Veiligheidsaanwijzingen	26
1.2 Andere aandachtspunten in deze documentatie	26
1.3 Info op het toestel	26
1.4 Maateenheden	26
2. Veiligheid	26
2.1 Reglementair gebruik	26
2.2 Algemene veiligheidsaanwijzingen	27
2.3 Keurmerk	27
3. Toestelbeschrijving	27
4. Bediening	27
4.1 Bedieningseenheid	28
4.2 Het toestel in- en uitschakelen	28
4.3 Stand-bywerking	29
5. Instellingen	29
5.1 Standaarddisplay	29
5.2 Basismenu	29
5.3 Configuratiemenu	29
6. Reiniging, verzorging en onderhoud	31
7. Problemen verhelpen	31

INSTALLATIE

8. Veiligheid	32
8.1 Algemene veiligheidsaanwijzingen	32
8.2 Voorschriften, normen en bepalingen	32
9. Toestelbeschrijving	32
9.1 Inhoud van het pakket	32
10. Montage	32
10.1 Minimumafstanden	32
10.2 Montage van de wandhouder	32
10.3 Montage van het toestel	33
10.4 Demontage van het toestel	33
10.5 Elektrische aansluiting	33
11. Ingebruikname	34
12. Storingen verhelpen	34
13. Overdracht van het toestel	34
14. Technische gegevens	35
14.1 Afmetingen en aansluitingen	35
14.2 Gegevens over het energieverbruik	35
14.3 Gegevenstabel	36

GARANTIE

MILIEU EN RECYCLING

BIJZONDERE INFO

- Houd kinderen jonger dan 3 jaar uit de buurt van het toestel, wanneer er niet voortdurend toezicht is.
- Het toestel kan door kinderen van 3 tot 7 jaar worden in- en uitgeschakeld, wanneer er toezicht op hen gehouden wordt, of wanneer ze met betrekking tot het veilige gebruik van het toestel geïnstrueerd zijn en de gevaren die daaruit ontstaan, begrepen hebben. Voorwaarde hiervoor is dat het toestel gemonteerd is, zoals beschreven. 3- tot 7-jarige kinderen mogen niet de stekker in het stopcontact steken en mogen het toestel niet regelen.
- Het toestel kan door kinderen vanaf 8 jaar, alsmede door personen met fysieke, zintuiglijke of geestelijke beperkingen of met een gebrek aan ervaring en kennis gebruikt worden wanneer er toezicht op hen gehouden wordt, of wanneer ze met betrekking tot het veilige gebruik van het toestel getraind zijn en de gevaren die daaruit ontstaan, begrepen hebben.
- Kinderen mogen niet met het toestel spelen. Kinderen mogen zonder toezicht geen reiniging of gebruikersonderhoud uitvoeren.
- Delen van het toestel kunnen zeer heet worden en brandwonden veroorzaken. Als er kinderen en hulpbehoevenden aanwezig zijn, is extra voorzichtigheid geboden.
- Dek het toestel niet af om oververhitting van het toestel te vermijden.
- Plaats het toestel niet direct onder een stopcontact.
- Bij een vaste aansluiting moet het toestel met een afstand van ten minste 3 mm op alle polen van de netaansluiting kunnen worden losgekoppeld.

Algemene aanwijzingen

- De stroomkabel mag bij beschadiging of vervanging alleen worden vervangen door een origineel onderdeel en door een installateur die daartoe door de fabrikant gemachtigd is.
- Monteer het toestel zoals beschreven in het hoofdstuk "Installatie/montage".

BEDIENING

1. Algemene aanwijzingen

De hoofdstukken "Bijzondere aanwijzingen" en "Bediening" zijn bedoeld voor de gebruiker van het toestel en de installateur.

Het hoofdstuk "Installatie" is bedoeld voor de installateur.



Info

Lees deze handleiding voor gebruik zorgvuldig door en bewaar deze. Overhandig de handleiding zo nodig aan een volgende gebruiker.

1.1 Veiligheidsaanwijzingen

1.1.1 Opbouw veiligheidsaanwijzingen



TREFWOORD soort gevaar

Hier staan mogelijke gevolgen wanneer de veiligheidsvoorschriften worden genegeerd.

- Hier staan maatregelen om gevaren te voorkomen.

1.1.2 Symbolen, soort gevaar

Symbool	Soort gevaar
	Letsel
	Elektrische schok
	Verbranding (verbranding, verschroeïng)

1.1.3 Trefwoorden

TREFWOORD	Betekenis
GEVAAR	Aanwijzingen die leiden tot zwaar letsel of overlijden, wanneer deze niet in acht worden genomen.
WAARSCHUWING	Aanwijzingen die kunnen leiden tot zwaar letsel of overlijden, wanneer deze niet in acht worden genomen.
VOORZICHTIG	Aanwijzingen die kunnen leiden tot middelmatig zwaar of licht letsel, wanneer deze niet in acht worden genomen.

1.2 Andere aandachtspunten in deze documentatie



Info

Algemene aanwijzingen worden aangeduid met het hier-naast afgebeelde symbool.

- Lees de aanwijzingen grondig door.

Symbool	Betekenis
	Materiële schade (toestel-, gevolg-, milieuschade)
	Het toestel afdanken

- Dit symbool geeft aan dat u iets moet doen. De vereiste handelingen worden stap voor stap beschreven.

1.3 Info op het toestel

Symbool	Betekenis
	Toestel niet afdekken

1.4 Maateenheden



Info

Tenzij anders vermeld, worden alle afmetingen in millimeters aangegeven.

2. Veiligheid

2.1 Reglementair gebruik

Het toestel is bestemd voor de opwarming van woonruimten.

Het toestel is bestemd voor gebruik in een huishoudelijke omgeving. Het kan op een veilige manier bediend worden door ongeschoolde personen. Het toestel kan ook buiten het huishouden gebruikt worden, bijv. in het kleinbedrijf, voor zover het op dezelfde wijze gebruikt wordt.

Elk ander gebruik dat verder gaat dan wat hier wordt omschreven, geldt als niet-reglementair. Onder reglementair gebruik valt ook het in acht nemen van deze handleiding evenals de handleidingen voor het gebruikte toebehoren.

2.2 Algemene veiligheidsaanwijzingen



WAARSCHUWING letsel

- Houd kinderen jonger dan 3 jaar uit de buurt van het toestel, wanneer er niet voortdurend toezicht is.
- Het toestel kan door kinderen van 3 tot 7 jaar worden in- en uitgeschakeld, wanneer er toezicht op hen gehouden wordt, of wanneer ze met betrekking tot het veilige gebruik van het toestel geïnstrueerd zijn en de gevaren die daaruit ontstaan, begrepen hebben. Voorwaarde hiervoor is dat het toestel gemonteerd is, zoals beschreven. 3- tot 7-jarige kinderen mogen niet de stekker in het stopcontact steken en mogen het toestel niet regelen.
- Het toestel kan door kinderen vanaf 8 jaar, alsmede door personen met fysieke, zintuiglijke of geestelijke beperkingen of met een gebrek aan ervaring en kennis gebruikt worden wanneer er toezicht op hen gehouden wordt, of wanneer ze met betrekking tot het veilige gebruik van het toestel getraind zijn en de gevaren die daaruit ontstaan, begrepen hebben.
- Kinderen mogen niet met het toestel spelen. Kinderen mogen zonder toezicht geen reiniging of gebruiksonderhoud uitvoeren.



WAARSCHUWING letsel

In gesloten ruimten kunnen snel hoge temperaturen ontstaan. Wanneer het toestel in een kleine ruimte in werking wordt gesteld en de daar aanwezige personen niet zelfstandig het toestel kunnen regelen of de ruimte kunnen verlaten, moet worden gezorgd voor voortdurend toezicht.



WAARSCHUWING verbranding

Gebruik het toestel niet ...

- Wanneer de afstand tot naastliggende voorwerpen of overige brandbare materialen kleiner is dan de minimaal voorgeschreven afstand.
- In ruimten waar door chemicaliën, stof, gassen of dampen gevaar voor brand of explosies bestaat. Ventileer de ruimte voldoende voordat deze wordt verwarmd.
- in de onmiddellijke omgeving van leidingen of containers met brandbare of explosieve stoffen.
- Wanneer een toestelmodule is beschadigd, het toestel is gevallen of er reeds een storing is.



WAARSCHUWING verbranding

- Leg geen brandbare, ontvlambare of warmte-isolerende voorwerpen of stoffen op het toestel of in de onmiddellijke omgeving van het toestel.
- Let erop dat luchttoevoer en -afvoer niet geblokkeerd worden.
- Steek geen voorwerpen tussen het toestel en de wand.



WAARSCHUWING verbranding

Het toestel is niet geschikt voor gebruik als staand toestel. Gebruik het toestel uitsluitend met de meegeleverde wandhouder (zie hoofdstuk "Installatie/montage").



VOORZICHTIG verbranding

Delen van het toestel kunnen zeer heet worden en brandwonden veroorzaken. Als er kinderen en hulpbehoevenden aanwezig zijn, is extra voorzichtigheid geboden.



WAARSCHUWING oververhitting

Dek het toestel niet af om oververhitting van het toestel te vermijden.



Materiële schade

- Let erop dat de aansluitkabel niet tegen het toestel ligt.
- Gebruik het toestel niet als trapje.
- Gebruik het toestel niet in de openlucht.

2.3 Keurmerk

Zie het typeplaatje op het toestel.

3. Toestelbeschrijving

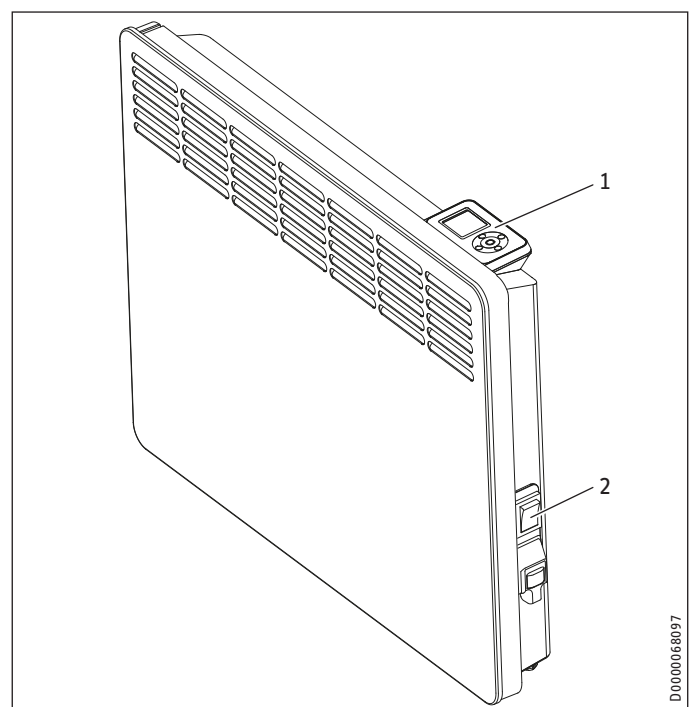
Het toestel is een elektrisch convectieverwarmingstoestel voor wandmontage.

Het toestel is bijv. geschikt als volledige verwarming of als verwarming voor het tussenseizoen of aanvullende verwarming in kleine ruimten.

De lucht in het toestel wordt door een verwarmingselement verwarmd en treedt via natuurlijke convectie aan de bovenzijde door de luchtafvoer naar buiten. Door de luchttoevoer aan de onderzijde van het toestel stroomt koele lucht het toestel in.

Wanneer de ingestelde kamertemperatuur bereikt is, wordt deze temperatuur aangehouden door herhaaldelijk op te warmen.

4. Bediening



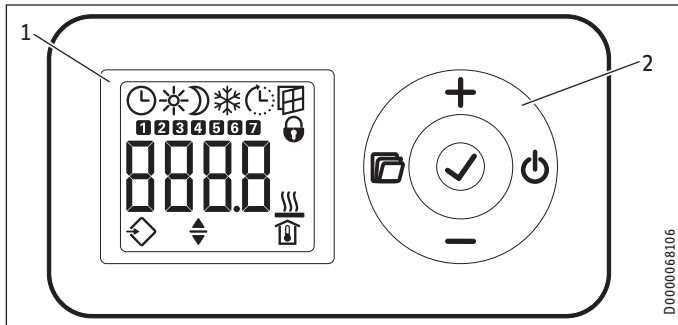
1 Bedieningseenheid
2 Netschakelaar

BEDIENING

Bediening

4.1 Bedieningseenheid

De bedieningseenheid bevindt zich rechtsboven op het toestel.



- 1 Display
2 Bedieningspaneel

4.1.1 Bedieningspaneel

Toets	Omschrijving	Beschrijving
	Toets "Stand-by"	Bedieningseenheid inschakelen; bedieningseenheid en verwarmingstoestel in stand-bywerking plaatsen
	Toets "OK"	Selectie; Instellingen bevestigen
	Toets "Menu"	Menu oproepen en verlaten
	Toets "+"	Menuopties oproepen; instellingen wijzigen
	Toets "-"	Menuopties oproepen; instellingen wijzigen

4.1.2 Display

Als gedurende 20 seconden geen bediening wordt uitgevoerd, schakelt de achtergrondverlichting uit. Door op een willekeurige toets te drukken, wordt de achtergrondverlichting weer ingeschakeld.

Symbolen

Symbool	Beschrijving
	Tijdsaanduiding: Weergave van de actuele tijd of van een geprogrammeerd start-tijdstip Timerwerking: Het toestel warmt op overeenkomstig het geactiveerde klokprogramma.
	Comfortwerking: Het toestel houdt de ingestelde comforttemperatuur aan. Standaardwaarde: 21,0 °C. Gebruik deze instelling voor comfortabele kamertemperaturen als u aanwezig bent.
	Verlaagde werking: Het toestel houdt de ingestelde verlaagde temperatuur aan. Standaardwaarde: 18,0 °C. Gebruik deze instelling bijv. 's nachts of wanneer u gedurende enkele uren afwezig bent.
	Vorstbescherming: Wanneer de gevraagde kamertemperatuur wordt ingesteld op 7,0 °C, wordt het vorstbeschermingssymbool weergegeven. Gebruik deze instelling om een niet-gebruikte ruimte te beschermen tegen vorstschade.

Symbool Beschrijving

	Adaptieve start: In timerwerking worden de schakeltijden van het verwarmingstoestel dusdanig aangepast dat de ingestelde kamertemperatuur reeds op het geprogrammeerde starttijdstip wordt bereikt. Voorwaarde: De functie "Adaptieve start" is ingeschakeld (zie hoofdstuk "Instellingen/basismenu).
	Venster-open-herkenning: Om nodeloos energieverbruik tijdens het ventileren te vermijden, schakelt het toestel bij geopend venster automatisch gedurende een uur naar vorstbescherming. Het symbool "Venster-open-herkenning" knippert. U kunt de vorstbescherming na het ventileren handmatig beëindigen met de toets "+", "-" of "OK". Het toestel warmt weer op naar de ingestelde kamertemperatuur. Voorwaarde: De venster-open-herkenning is ingeschakeld (zie hoofdstuk "Instellingen/basismenu).
	Bedieningsblokkering: Om het bedieningspaneel te vergrendelen of te ontgrendelen, houdt u de toetsen "+" en "-" gedurende 5 seconden tegelijkertijd ingedrukt.
	Verwarming actief: Het toestel verwarmt om de ingestelde kamertemperatuur aan te houden.
	Weergave kamertemperatuur
	Parameter bewerkbaar: De weergegeven parameter kan worden gewijzigd met de toetsen "+" en "-".
	Externe ingang (FP): Toestellen van de reeks CWM U kunnen worden aangesloten op een extern besturingstoestel. Afhankelijk van de instelling van het besturingstoestel verwarmt het toestel op bepaalde tijden van de dag in comfortwerking, verlaagde werking of vorstbeschermingswerking of het toestel verwarmt helemaal niet.
	Dagen van de week: 1 = Maandag, 2 = Dinsdag ... 7 = Zondag

4.2 Het toestel in- en uitschakelen



Info

Bij de eerste ingebruikname, evenals na een langere stilstandtijd is het mogelijk dat er kortstondig een geur ontstaat.

Het toestel is bedrijfsklaar, als u het aan de wand heeft bevestigd en u het elektrisch heeft aangesloten.

- ▶ Schakel het toestel in of uit door de netschakelaar aan de rechterzijde van het toestel te bedienen.
- ▶ Wanneer het toestel gedurende langere tijd niet wordt gebruikt (bijv. tijdens de zomermaanden), schakelt u het toestel uit.

Alle instellingen blijven behouden, wanneer het toestel wordt uitgeschakeld of bij een stroomonderbreking. Het toestel beschikt over een werkingsreserve, zodat de dag van de week en de tijd gedurende enkele uren behouden blijven.



Info

Wanneer het toestel zich eerder in timerwerking bevond en gedurende langere tijd uitgeschakeld was, wordt na het inschakelen gevraagd de dag van de week en de tijd in te stellen. Zolang er geen instelling is uitgevoerd, werkt het toestel in comfortwerking.

BEDIENING

Instellingen

4.3 Stand-bywerking



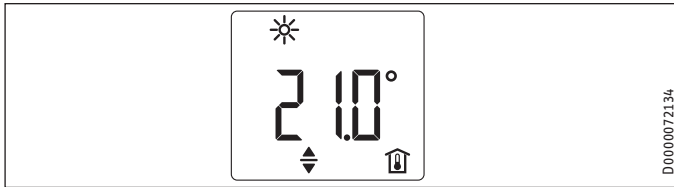
Materiële schade

In stand-bywerking schakelt het toestel de verwarming nooit in. Er is dan geen vorstbescherming.

- ▶ Om de bedieningseenheid in te schakelen, drukt u op de toets "Stand-by". De standaardweergave verschijnt.
- ▶ Om de bedieningseenheid en het verwarmingstoestel in stand-bywerking te zetten, drukt u op de toets "Stand-by". Op het display verschijnt "-- --".

5. Instellingen

5.1 Standaarddisplay



De standaardweergave wordt continu weergegeven. Wanneer u zich in het menu bevindt en u langer dan 20 seconden geen bediening uitvoert, gaat het toestel automatisch naar de standaardweergave.

In de standaardweergave ziet u de actueel ingestelde kamertemperatuur en het symbool "Parameter bewerkbaar". Met de toetsen "+" en "-" kunt u de ingestelde kamertemperatuur wijzigen.

Wanneer de ingestelde kamertemperatuur overeenkomt met een van de ingestelde waarden voor comfort- of verlaagde temperatuur, verschijnt in de menubalk het symbool van de overeenkomstige werkwijze (comfortwerking, verlaagde werking).

De ingestelde kamertemperatuur kan ook in timerwerking handmatig worden gewijzigd. De gewijzigde kamertemperatuur blijft behouden tot aan het volgende geprogrammeerde schakeltijdstip.

5.2 Basismenu

Om naar het basismenu te gaan, drukt u kort op de toets "Menu". U kunt nu de volgende menuopties oproepen:

Display	Beschrijving
	Dag van de week en tijd instellen
	Comforttemperatuur instellen De comforttemperatuur moet minstens 0,5 °C hoger ingesteld zijn dan de verlaagde temperatuur.
	Verlaagde temperatuur instellen

Display	Beschrijving
	Functie "Venster-open-herkenning" in- en uitschakelen
	Klokprogramma (Pro1, Pro2, Pro3, off) of externe ingang (FP) selecteren
	Functie "Adaptieve start" in- en uitschakelen

Als u de instelling van een menuoptie wilt wijzigen, roept u de gewenste menuoptie op met de toetsen "+" en "-". Druk op de toets "OK".

Zodra het symbool "Parameter bewerkbaar" verschijnt, kunt u met de toetsen "+" en "-" de instelling van de menuoptie wijzigen. Om de instellingen op te slaan, drukt u op de toets "OK".

Om het basismenu te verlaten, drukt u op de toets "Menu". De standaardweergave verschijnt.

5.3 Configuratiemenu

Display	Beschrijving
I1-I2	Actuele waarden
Pro1-Pro3	Klokprogramma's
P1-P5	Parameter

In het configuratiemenu kunt u actuele waarden oproepen, de klokprogramma's voor timerwerking programmeren en parameters instellen.

Om naar het configuratiemenu te gaan, houdt u de toets "Menu" ingedrukt. Na ca. 3 seconden wordt de actuele waarde I1 weergegeven.

Met de toetsen "+" en "-" kunt u schakelen tussen de verschillende actuele waarden, klokprogramma's en parameters.

Om het configuratiemenu te verlaten, drukt u op de toets "Menu". De standaardweergave verschijnt.

5.3.1 Actuele waarden

U kunt de volgende actuele waarden oproepen:

Display	Beschrijving	Eenheid
I1	Actuele waarde kamertemperatuur	[°C] [°F]
I2	Relatieve verwarmingsduur (Met parameter P5 kunt u de teller resetten.)	[h]



Info

De teller voor de relatieve verwarmingsduur (I2) telt de tijdsduur waarmee het toestel verwarmt in volle uren. Als het toestel wordt uitgeschakeld, worden verwarmingsfasen onder 60 minuten niet geregistreerd.

BEDIENING

Instellingen

5.3.2 Klokprogramma's

Om het toestel in timerwerking te gebruiken, beschikt u over drie klokprogramma's. De klokprogramma's Pro1 en Pro2 zijn in de fabriek voorgeconfigureerd. U kunt het klokprogramma Pro3 instellen volgens uw individuele wensen.

Display	Beschrijving
Pro1	Klokprogramma "dagelijks" - herhaling: maandag tot zondag
Pro2	Klokprogramma "werkdag" - herhaling: maandag tot vrijdag
Pro3	Klokprogramma "door gebruiker gedefinieerd" - tot 14 comfortfasen vrij configureerbaar



Info

Wanneer u de timerwerking wilt gebruiken, moet u in het basismenu het gewenste klokprogramma selecteren (zie hoofdstuk "Instellingen/basismenu").



Info

Let er bij het instellen van de klokprogramma's op dat de dag van de week en de tijd correct ingesteld zijn.



Info

Voor alle klokprogramma's (Pro1, Pro2, Pro3) geldt: Wanneer het eindtijdstip na 23.59 uur ligt, wordt het eindtijdstip automatisch op de volgende dag van de week geplaatst. De comfortfase wordt over middernacht aangehouden en eindigt de volgende dag van de week op het ingestelde eindtijdstip.

Klokprogramma's Pro1 en Pro2

Met de klokprogramma's Pro1 en Pro2 kunt u het start- en eindtijdstip van de comfortwerking definiëren. Gedurende die tijd verwarmt het toestel naar de ingestelde comforttemperatuur. Buiten deze gedefinieerde tijd werkt het toestel in verlaagde werking. Daaruit resulteert een comfort- en een nachtfase, die dagelijks (Pro1) of op elke werkdag (Pro2) worden herhaald.

In de fabriek zijn deze fasen als volgt geconfigureerd:

- 8.00 uur - 22.00 uur: Comfortwerking
- 22.00 uur - 8.00 uur: Verlaagde werking



Info

Bij geactiveerd klokprogramma Pro2 werkt het toestel tijdens het weekend uitsluitend in verlaagde werking.

Om de klokprogramma's Pro1 en Pro2 aan te passen aan uw behoeften, gaat u als volgt te werk:

- ▶ Roep in het configuratiemenu het gewenste klokprogramma op met de toetsen "+" en "-".
- ▶ Druk op de toets "OK".
Het starttijdstip voor comfortwerking wordt weergegeven.
- ▶ Stel het gewenste starttijdstip in met de toetsen "+" en "-".
- ▶ Druk op de toets "OK".
Het eindtijdstip voor comfortwerking wordt weergegeven.
- ▶ Stel het gewenste eindtijdstip in met de toetsen "+" en "-".
- ▶ Druk op de toets "OK" om op te slaan.

Klokprogramma Pro3

Met het klokprogramma Pro3 kunt u tot 14 afzonderlijke comfortfasen definiëren, die wekelijks worden herhaald.

Om in het klokprogramma Pro3 een comfortfase te configureren, gaat u als volgt te werk:

- ▶ Roep in het configuratiemenu het klokprogramma Pro3 op met de toetsen "+" en "-".
- ▶ Druk op de toets "OK".
Het display toont "3---".
- ▶ Druk op de toets "OK".
Een dag van de week of een groep wekdagen wordt weergegeven.
- ▶ Stel de gewenste dag van de week of de gewenste groep wekdagen in met de toetsen "+" en "-".
- ▶ Druk op de toets "OK".
Het starttijdstip voor comfortwerking wordt weergegeven.
- ▶ Stel het gewenste starttijdstip in met de toetsen "+" en "-".
- ▶ Druk op de toets "OK".
Het eindtijdstip voor comfortwerking wordt weergegeven.
- ▶ Stel het gewenste eindtijdstip in met de toetsen "+" en "-".
- ▶ Druk op de toets "OK".
De comfortfase "3-01" is geconfigureerd.
- ▶ Om een andere comfortfase te configureren, selecteert u in het klokprogramma Pro3 de weergave "3---" met de toetsen "+" en "-". Ga te werk zoals beschreven.



Info

Om de ingestelde comfortfasen te resetten, activeert u parameter P4.

- ▶ Merk op dat door parameter P4 te activeren, alle tijdprogramma's (Pro1, Pro2, Pro3) weer in de leveringsstoestand worden gezet.

5.3.3 Parameter

U kunt de volgende parameters oproepen:

Display	Beschrijving	Opties
P1	Offset kamertemperatuur	±3 °C ±5 °F
P2	Tijdnotatie	12 h 24 h
P3	Eenheid temperatuurweergave	°C °F
P4	Klokprogramma's (timerwerking) resetten.	on off
P5	Relatieve verwarmingsduur resetten	on off

Wanneer u de waarde van een parameter wilt wijzigen, roept u de overeenkomstige parameter op met de toetsen "+" en "-". Druk op de toets "OK".

Zodra het symbool "Parameter bewerkbaar" verschijnt, kunt u de waarde van de parameter wijzigen met de toetsen "+" en "-". Druk op de toets "OK" om de ingestelde waarde op te slaan.

P1: Offset kamertemperatuur

Een ongelijkmatige temperatuurverdeling in de ruimte kan tot een verschil leiden tussen de weergegeven actuele temperatuur I1 en de door u gemeten kamertemperatuur. Om dit verschil te compenseren, kunt u met parameter P1 een kamertemperatuur-offset van ±3 °C instellen.

Voorbeeld: Het toestel geeft I1 = 21,0 °C aan. De door u gemeten kamertemperatuur bedraagt 20,0 °C. Er is een verschil van 1,0 °C.

- Om het verschil te compenseren, stelt u een offset van P1 = -1,0 in.

P2: Tijdsnotatie

Met parameter P2 kunt u definiëren of de tijd wordt weergegeven in 12-uur- of 24-uur-notatie.

P3: Eenheid temperatuurweergave

Met parameter P3 kunt u bepalen of de kamertemperatuur wordt weergegeven in graden Celsius [°C] of in graden Fahrenheit [°F].

P4: Klokprogramma's resetten

Door parameter P4 te activeren, zet u alle klokprogramma's weer in de leveringstoestand.

P5: Relatieve verwarmingsduur resetten

Door parameter P5 te activeren, zet u de teller voor de relatieve verwarmingsduur (I2) terug.

6. Reiniging, verzorging en onderhoud

Het toestel bevat geen onderdelen die door de gebruiker moeten worden onderhouden.



Materiële schade

- Spuit geen reinigingsspray in de luchtspleten.
- Let erop dat er geen vocht binnendringt in het toestel.

- Als er een lichte, bruinachtige verkleuring optreedt op de behuizing van het toestel, veegt u deze af met een vochtige doek.
- Reinig het toestel in afgekoelde toestand met gebruikelijke onderhoudsmiddelen. Vermijd schurende en bijtende onderhoudsmiddelen.



Info

Het is aan te bevelen tijdens regelmatige onderhoudsbeurten ook de controle- en regelinrichtingen te laten controleren.

- Laat de veiligheids-, controle- en regelinrichtingen uiterlijk 10 jaar na de eerste ingebruikname controleren door een installateur.

7. Problemen verhelpen

Probleem	Oorzaak	Oplossing
De ruimte wordt niet warm genoeg. Het toestel wordt niet warm.	De temperatuur is te laag ingesteld op het toestel.	Controleer de ingestelde kamertemperatuur. Regel evt. bij.
	Probleem met de voeding.	Controleer de stand van de netschakelaar, de aardlekschakelaar en de zekering van de huisinstallatie.
De ruimte wordt niet warm genoeg hoewel het toestel warm wordt.	Oververhitting. De veiligheidstemperatuurbegrenzer begrenst het verwarmingsvermogen. De warmtebehoefte van de ruimte is groter dan het vermogen van het toestel.	Verhelp de oorzaak (vuil of hindernissen bij de luchtaanvoer of luchtafvoer). Let op de minimumafstanden! Verhelp de warmteverliezen (sluit vensters en deuren. Vermijd tocht.)
De ruimte wordt te warm.	De temperatuur is te hoog ingesteld op het toestel. De vastgestelde kamertemperatuur wijkt af van de effectieve kamertemperatuur.	Controleer de ingestelde kamertemperatuur. Regel evt. bij. Vermijd hindernissen voor de luchtuitwisseling tussen het toestel en de kamerlucht.
De venster-open-herkenning reageert niet.	Het toestel herkent geen duidelijke temperatuuurdaling tijdens ventileren. (De venster-open-herkenning gaat uit van een stabiele kamertemperatuur.)	Wacht na instellingen op het toestel een tijdje tot de kamertemperatuur zich volledig gestabiliseerd heeft. Vermijd hindernissen voor de luchtuitwisseling tussen het toestel en de kamerlucht.
	De venster-open-herkenning is niet geactiveerd.	Schakel het toestel voor de duur van het ventileren handmatig naar stand-by-werking. Schakel de venster-open-herkenning in het basismenu in.
De functie "Adaptieve start" werkt niet zoals gewenst.	De functie werkt alleen in timerwerking. De kamertemperatuur schommelt sterk of het leerproces van het toestel is niet afgesloten.	Gebruik timerwerking voor een geoptimaliseerd verwarmingscomfort. Wacht enkele dagen tot het gedrag zich gestabiliseerd heeft.
	De functie "Adaptieve start" is niet geactiveerd.	Schakel de functie "Adaptieve start" in het basismenu in.
Het toestel bevindt zich in het programma "FP" maar reageert niet op de externe ingang.	Wanneer het toestel geen signaal op de externe ingang herkent, verwarmt het in comfortwerking.	Controleer het externe besturingstoestel en diens instellingen. De bedrading moet correct en juist gepolariseerd uitgevoerd zijn.
Op het display verschijnt "Err" of "E...".	Er werd een interne fout vastgesteld.	Informeer de installateur.

Waarschuw de installateur als u de oorzaak zelf niet kunt verhelpen. Hij kan u sneller en beter helpen als u hem het nummer op het typeplaatje doorgeeft (000000-0000-000000).

INSTALLATIE

8. Veiligheid

Installatie, ingebruikname, onderhoud en reparatie van het toestel mogen alleen door een gekwalificeerde installateur uitgevoerd worden.

8.1 Algemene veiligheidsaanwijzingen

Wij waarborgen de goede werking en de bedrijfszekerheid uitsluitend bij gebruik van originele onderdelen en vervangingsonderdelen voor het toestel.



VOORZICHTIG verbranding

- Monteer het toestel alleen op een verticale wand die bestand is tegen een temperatuur van minstens 85 °C.
- Houd de minimale afstanden tot naastliggende oppervlakken aan.



Materiële schade

- Installeer het toestel niet direct onder een stopcontact.
- Let erop dat de aansluitkabel niet in contact komt met de onderdelen van het toestel.

8.2 Voorschriften, normen en bepalingen



Info

Neem alle nationale en regionale voorschriften en bepalingen in acht.

9. Toestelbeschrijving

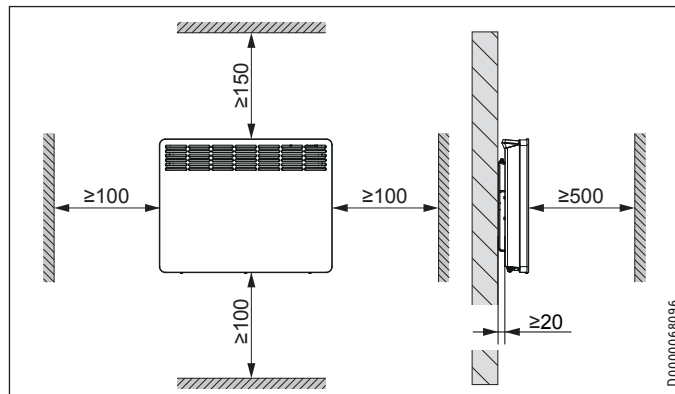
9.1 Inhoud van het pakket

Bij het toestel wordt het volgende geleverd:

- Wandhouder (hangt aan het toestel)

10. Montage

10.1 Minimumafstanden



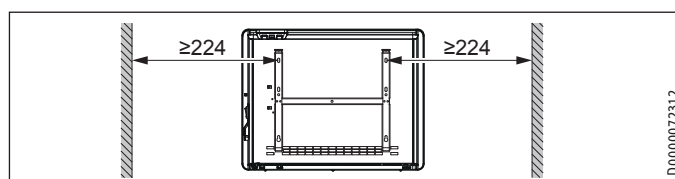
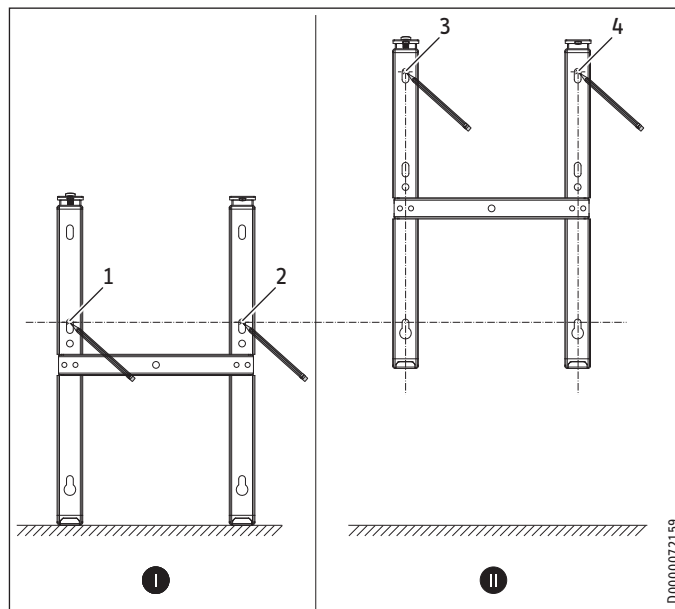
10.2 Montage van de wandhouder

Het toestel is voorzien voor wandmontage met behulp van de meegeleverde wandhouder. Het toestel mag alleen horizontaal worden gemonteerd.



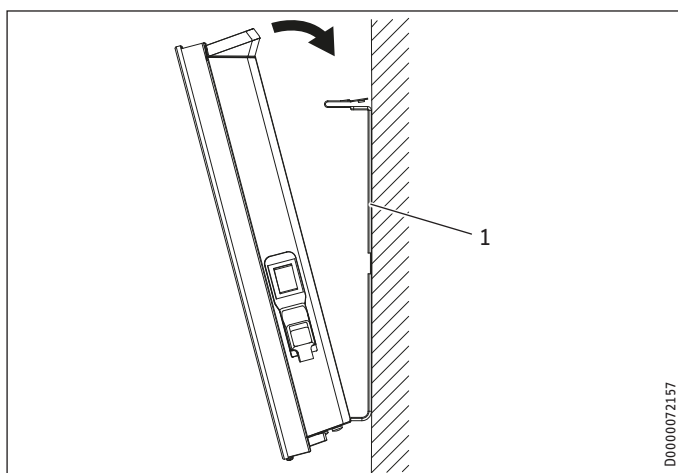
Info

- U kunt de wandhouder als sjabloon voor de wandbevestiging gebruiken. Dit is een garantie voor de noodzakelijke afstand tot de vloer.
- Wanneer de vloer oneffen is of schuin loopt, gebruikt u een waterpas.



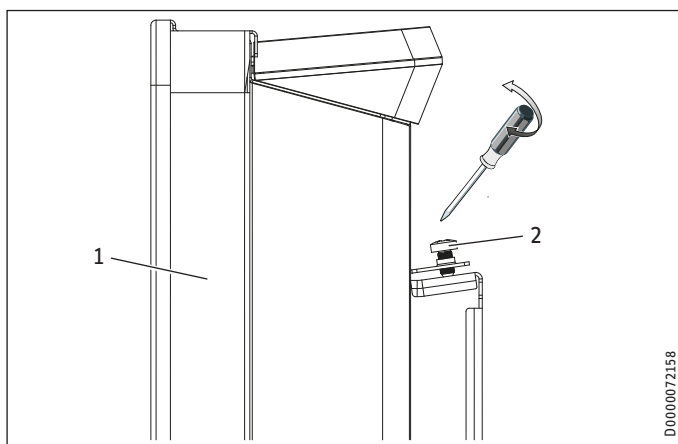
- ▶ Haak de wandhouder uit het toestel.
- ▶ Plaats de middelpuntgeoriënteerde wandhouder horizontaal op de grond. Markeer de boringen 1 en 2.
- ▶ Hef de wandhouder omhoog, zodat de onderste boorgaten in de wandhouder precies de zojuist geplaatste markeringen op de montagewand afdekken.
- ▶ Markeer boorgaten 3 en 4 op de montagewand.
- ▶ Boor de boorgaten op de 4 markeringen.
- ▶ Bevestig de wandhouder met geschikt bevestigingsmateriaal (schroeven, pluggen). Via de verticale slobgaten is het mogelijk een verschoven montagegat te compenseren.

10.3 Montage van het toestel



1 Wandconsole

- ▶ Hang het toestel met de ophangsleuven in de achterzijde van het toestel op de beugels van de wandhouder.
- ▶ Breng het toestel naar een rechtopstaande positie.
- ▶ Druk het toestel, om het vast te zetten, naar de wand tot het hoorbaar vastklikt in de twee bovenste veren van de wandhouder.



1 Toestel

2 Borgschroef

- ▶ Zet het toestel vast met de meegeleverde borgschroef aan de linkerkant van de wandhouder, zodat het toestel niet ongewenst kan loskomen.

10.4 Demontage van het toestel

- ▶ Draai de borgschroef uit de wandhouder.
- ▶ Maak het toestel los door de bovenaan op de wandhouder aangebrachte veren omlaag te duwen.
- ▶ Kantel het toestel naar voor en hef het van de onderste beugels van de wandhouder.

10.5 Elektrische aansluiting



WAARSCHUWING elektrische schok

- Voer alle werkzaamheden voor elektriciteitsaansluitingen en montage uit conform de voorschriften.
- Bij een vaste aansluiting moet het toestel met een afstand van ten minste 3 mm op alle polen van het stroomnet kunnen worden losgekoppeld.
- Installatie op een vaste elektrische aansluitkabel is niet toegestaan.



Info

- Houd rekening met de specificaties op het typeplaatje. De aangegeven spanning moet overeenkomen met de netspanning.
- Let erop dat op locatie de diameter van de toevoerleiding voldoende is.

10.5.1 Typeserie CWM P

Het toestel wordt stekkerklaar geleverd. De volgende elektrische aansluitingen zijn mogelijk:

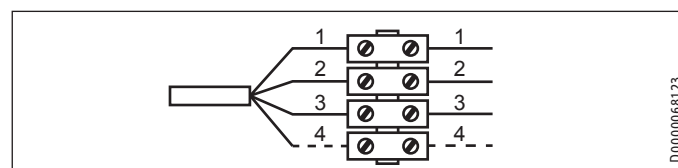
	CWM 500-3000 P
Aansluiting op een vrij toegankelijk, geaard stopcontact met overeenkomstige stekker	X
Vaste aansluiting op een contactdoos met aarding	X

- Let er bij het aansluiten op een stopcontact op dat het stopcontact na de installatie van het toestel vrij toegankelijk is.
- Wanneer u het toestel vast aansluit, kort dan de stroomkabel op een wijze in dat deze direct naar de toestelaansluitdoos leidt. Zorg er bij het inkorten van de stroomkabel voor dat het toestel nog probleemloos van de montagewand kan worden afgenomen.

10.5.2 Typeserie CWM U

Het toestel wordt geleverd met een netaansluitkabel zonder stekker.

- ▶ Sluit bij vaste aansluiting de 4-aderige kabel zoals aangegeven aan op een contactdoos:



- 1 Nulleider = blauw
- 2 Fase = bruin
- 3 Aardleiding = groen/geel
- 4 Stuurkabel = zwart

INSTALLATIE

Ingebruikname

U hebt de volgende 3 mogelijkheden om het toestel aan te sluiten:

- Aansluiting toestel zonder stuurdraad

Niet-gestuurd toestel. De stuurdraad is niet aangesloten. Isoleer in dat geval de stuurdraad.

- Temperatuurverlaging via de stuurdraad

Om de ingestelde temperatuur te verlagen, wordt de zwarte stuurdraad via een extern elektronisch contact (bijv. timer) geregeld.

- Aansluiting van de stuurdraad op een extern besturingstoestel

U kunt het toestel op elk besturingstoestel aansluiten dat de volgende signaalvormen als stuursignaal uitzendt.

Opdracht	Oscilloscoop	Werkwijze	Verwarmingstemperatuur
Geen stroom		Comfortwerking	Afhankelijk van de ingestelde comforttemperatuur
Volledige golf 230 V		Verlaagde werking	Afhankelijk van de ingestelde verlaagde temperatuur
Negatieve halve golf -115 V		Vorstbescherming	Vorstbeschermingstemperatuur
Positieve halve golf +115 V		Stop	Geen
Volledige golf 230 V gedurende 3 seconden		Comfortwerking -1 °C	1 °C minder dan de ingestelde comforttemperatuur
Volledige golf 230 V gedurende 7 seconden		Comfortwerking -2 °C	2 °C minder dan de ingestelde comforttemperatuur

11. Ingebruikname

Het toestel is bedrijfsklaar als u het aan de montagewand heeft bevestigd en het elektrisch heeft aangesloten.

► Verwijder de beschermfolie van de bedieningseenheid.

12. Storingen verhelpen

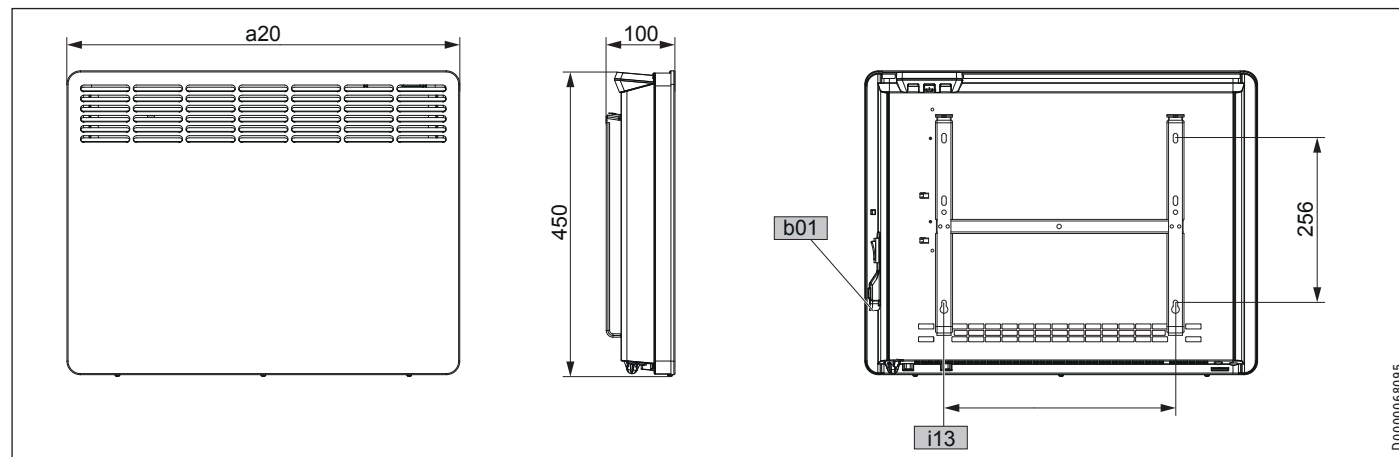
De stroomkabel mag bij beschadiging of vervanging alleen worden vervangen door een origineel onderdeel en door een installateur die daartoe door de fabrikant gemachtigd is.

13. Overdracht van het toestel

Leg aan de gebruiker uit hoe het toestel werkt. Schenk daarbij vooral aandacht aan de veiligheidsaanwijzingen. Geef de bedienings- en installatiehandleiding aan de nieuwe gebruiker.

14. Technische gegevens

14.1 Afmetingen en aansluitingen



			CWM 500 P/U	CWM 750 P/U	CWM 1000 P/U	CWM 1500 P/U	CWM 2000 P/U	CWM 2500 P/U	CWM 3000 P/U	
a20	Toestel	Breedte	mm	348	426	426	582	738	894	1050
i13	Wandbevestiging	Gatafstand horizontaal	mm	101	179	179	335	491	647	803
b01	Doorvoer elektr. kabels									

14.2 Gegevens over het energieverbruik

De productgegevens voldoen aan de EU-verordeningen betreffende de richtlijn voor milieuvriendelijke vormgeving van energiegelateerde producten (ErP).

		CWM 500 P/U	CWM 750 P/U	CWM 1000 P/U	CWM 1500 P/U	CWM 2000 P/U	CWM 2500 P/U	CWM 3000 P/U
CWM P		200254	200255	200256	200257	200258	200259	200260
CWM U		200261	200262	200263	200264	200265	200266	200267
Fabrikant		STIEBEL ELTRON	STIEBEL ELTRON	STIEBEL ELTRON	STIEBEL ELTRON	STIEBEL ELTRON	STIEBEL ELTRON	STIEBEL ELTRON
Warmtevermogen								
Nominaal warmtevermogen P_{nom}	kW	0,5	0,8	1,0	1,5	2,0	2,5	3,0
Minimaal warmtevermogen (richtwaarde) P_{min}	kW	0,0	0,0	0,0	0,0	0,0	0,0	0,0
Maximaal continu warmtevermogen $P_{max,c}$	kW	0,5	0,8	1,0	1,5	2,0	2,5	3,0
Hulpstroomverbruik								
Bij nominaal warmtevermogen $e_{l,max}$	kW	0,000	0,000	0,000	0,000	0,000	0,000	0,000
Bij minimaal warmtevermogen $e_{l,min}$	kW	0,000	0,000	0,000	0,000	0,000	0,000	0,000
In stand-by stand $e_{l,sg}$	kW	0,000	0,000	0,000	0,000	0,000	0,000	0,000
Soort warmtevermogen/kamertemperatuurcontrole								
Entraps-warmtevermogen, geen kamertemperatuurcontrole		-	-	-	-	-	-	-
Twee of meer handmatig instelbare trappen, geen kamertemperatuurcontrole		-	-	-	-	-	-	-
Kamertemperatuurcontrole met mechanische thermostaat		-	-	-	-	-	-	-
Met elektronische kamertemperatuurcontrole		-	-	-	-	-	-	-
Elektronische kamertemperatuurcontrole en dagtijdbegregeling		-	-	-	-	-	-	-
Elektronische kamertemperatuurcontrole en weekdagregeling		x	x	x	x	x	x	x
Andere regelopties								
Kamertemperatuurcontrole met aanwezigheidsherkenning		-	-	-	-	-	-	-
Kamertemperatuurcontrole met herkenning van open vensters		x	x	x	x	x	x	x
Met afstandsbedieningsoptie		-	-	-	-	-	-	-
Met adaptieve regeling van het verwarmingsbegin		x	x	x	x	x	x	x
Met werkingstijdbegrenzing		-	-	-	-	-	-	-
Met zwarte bolsensor		-	-	-	-	-	-	-

Technische gegevens

14.3 Gegevenstabel

		CWM 500 P/U	CWM 750 P/U	CWM 1000 P/U	CWM 1500 P/U	CWM 2000 P/U	CWM 2500 P/U	CWM 3000 P/U
CWM P		200254	200255	200256	200257	200258	200259	200260
CWM U		200261	200262	200263	200264	200265	200266	200267
Elektrische gegevens								
Aansluitvermogen	W	500	750	1000	1500	2000	2500	3000
Netaansluiting		1/N/PE ~ 230 V	1/N/PE ~ 230 V	1/N/PE ~ 230 V	1/N/PE ~ 230 V	1/N/PE ~ 230 V	1/N/PE ~ 230 V	1/N/PE ~ 230 V
Nominale stroom	A	2,2	3,3	4,3	6,5	8,7	10,9	13,0
Frequentie	Hz	50/-	50/-	50/-	50/-	50/-	50/-	50/-
Afmetingen								
Hoogte	mm	450	450	450	450	450	450	450
Breedte	mm	348	426	426	582	738	894	1050
Diepte	mm	100	100	100	100	100	100	100
Gewichten								
Gewicht	kg	4,0	4,6	4,6	6,0	7,7	9,2	10,9
Uitvoeringen								
Vorstbeschermingsstand	°C	7	7	7	7	7	7	7
Uitvoering		Wandtoestel	Wandtoestel	Wandtoestel	Wandtoestel	Wandtoestel	Wandtoestel	Wandtoestel
Beschermingsgraad (IP)		IP24	IP24	IP24	IP24	IP24	IP24	IP24
Beveiligingsklasse		I	I	I	I	I	I	I
Kleur		Alpinewit	Alpinewit	Alpinewit	Alpinewit	Alpinewit	Alpinewit	Alpinewit
Waarden								
Instelbereik	°C	5-30	5-30	5-30	5-30	5-30	5-30	5-30

Garantie

Voor toestellen die buiten Duitsland zijn gekocht, gelden de garantievoorwaarden van onze Duitse ondernemingen niet. Bovendien kan in landen waar één van onze dochtermaatschappijen verantwoordelijk is voor de verkoop van onze producten, alleen garantie worden verleend door deze dochtermaatschappij. Een dergelijk garantie wordt alleen verstrekt, wanneer de dochtermaatschappij eigen garantievoorwaarden heeft gepubliceerd. In andere situaties wordt er geen garantie verleend.

Voor toestellen die in landen worden gekocht waar wij geen dochtermaatschappijen hebben die onze producten verkopen, verlenen wij geen garantie. Een eventueel door de importeur verzekerde garantie blijft onverminderd van kracht.

Milieu en recycling

Wij verzoeken u ons te helpen ons milieu te beschermen. Doe de materialen na het gebruik weg overeenkomstig de nationale voorschriften.

ZVLÁŠTNÍ POKYNY

OBSLUHA

1. Obecné pokyny	38
1.1 Bezpečnostní pokyny	38
1.2 Jiné symboly použité v této dokumentaci	38
1.3 Upozornění na přístroje	38
1.4 Měrné jednotky	38
2. Zabezpečení	38
2.1 Správné používání	38
2.2 Všeobecné bezpečnostní pokyny	39
2.3 Kontrolní symbol	39
3. Popis přístroje	39
4. Obsluha	39
4.1 Ovládací jednotka	40
4.2 Zapnutí a vypnutí přístroje	40
4.3 Pohotovostní (standby) režim	40
5. Nastavení	41
5.1 Standardní zobrazení	41
5.2 Základní nabídka	41
5.3 Konfigurační nabídka	41
6. Čištění, péče a údržba	43
7. Odstranění problémů	43

INSTALACE

8. Zabezpečení	43
8.1 Všeobecné bezpečnostní pokyny	43
8.2 Předpisy, normy a ustanovení	43
9. Popis přístroje	43
9.1 Rozsah dodávky	43
10. Montáž	44
10.1 Minimální vzdálenosti	44
10.2 Montáž nástěnného držáku	44
10.3 Montáž přístroje	44
10.4 Demontáž přístroje	45
10.5 Připojení elektrického napětí	45
11. Uvedení do provozu	45
12. Odstraňování poruch	45
13. Předání přístroje	45
14. Technické údaje	46
14.1 Rozměry a přípojky	46
14.2 Údaje ke spotřebě energie	46
14.3 Tabulka údajů	47

ZÁRUKA

ŽIVOTNÍ PROSTŘEDÍ A RECYKLACE

ZVLÁŠTNÍ POKYNY

- Děti do 3 let udržujte v dostatečné vzdálenosti od přístroje, pokud není zajištěn stálý dohled.
- Děti ve věku 3 až 7 let smějí přístroj zapínat a vypínat, jsou-li pod dohledem nebo byly poučeny o bezpečném použití přístroje a pochopily z něho vyplývající rizika. Předpokladem k tomu je, aby montáž přístroje byla provedena podle popisu. Děti ve věku 3 až 7 let nesmějí zasouvat zástrčku do zásuvky a přístroj regulovat.
- Přístroj smí používat děti od 8 let a osoby se sníženými fyzickými, sensorickými nebo mentálními schopnostmi nebo s nedostatkem zkušeností a znalostí pouze pod dozorem nebo po poučení o bezpečném používání přístroje, a poté, co porozuměly nebezpečí, které z jeho používání plyne.
- Nenechávejte děti, aby si s přístrojem hrály. Čištění a údržbu, kterou má provádět uživatel, nesmí provádět samotné děti bez dozoru.
- Části přístroje mohou být velmi horké a způsobit popáleniny. Jsou-li přítomny děti a osoby vyžadující ochranu, je nutná zvláštní opatrnost.
- Aby se zabránilo přehřátí přístroje, nezakrývejte jej.
- Neinstalujte přístroj přímo pod zásuvku.
- Přístroj musí být v případě pevného připojení možné odpojit od proudové sítě na všech pólech na vzdálenost nejméně 3 mm.
- Přívodní kabel smí při poškození nebo při výměně nahradit originálním náhradním dílem pouze autorizovaný servis s oprávněním výrobce.
- Upevněte přístroj způsobem popsaným v kapitole „Instalace / Montáž“.

OBSLUHA

1. Obecné pokyny

Kapitoly „Zvláštní pokyny“ a „Obsluha“ jsou určeny uživatelům přístroje a instalačním technikům.

Kapitola „Instalace“ je určena instalačním technikům.



Upozornění

Dříve, než zahájíte provoz, si pozorně přečtěte tento návod a pečlivě jej uschovejte. Případně předejte návod dalšímu uživateli.

1.1 Bezpečnostní pokyny

1.1.1 Struktura bezpečnostních pokynů



UVOZUJÍCÍ SLOVO - Druh nebezpečí

Zde jsou uvedeny možné následky nedodržení bezpečnostních pokynů.

► Zde jsou uvedena opatření k odvrácení nebezpečí.

1.1.2 Symboly, druh nebezpečí

Symbol	Druh nebezpečí
	Úraz
	Úraz elektrickým proudem
	Popálení (popálení, opaření)

1.1.3 Uvozující slova

UVOZUJÍCÍ SLOVO	Význam
NEBEZPEČÍ	Pokyny, jejichž nedodržení má za následek vážné nebo smrtelné úrazy.
VÝSTRAHA	Pokyny, jejichž nedodržení může mít za následek vážné nebo smrtelné úrazy.
POZOR	Pokyny, jejichž nedodržení může mít za následek středně vážné nebo lehké úrazy.

1.2 Jiné symboly použité v této dokumentaci



Upozornění

Obecné pokyny jsou označeny symbolem zobrazeným vedle.

► Texty upozornění čtěte pečlivě.

Symbol	Význam
	Věcné škody (poškození přístroje, následné škody, poškození životního prostředí)
	Likvidace přístroje

► Tento symbol vás vyzývá k určitému jednání. Potřebné úkony jsou popsány po jednotlivých krocích.

1.3 Upozornění na přístroji

Symbol	Význam
	Nezakrývejte přístroj

1.4 Měrné jednotky



Upozornění

Pokud není uvedeno jinak, jsou všechny rozměry uvedeny v milimetrech.

2. Zabezpečení

2.1 Správné používání

Přístroj je určen k vytápění obytných místností.

Přístroj je určen k použití v domácnostech. Mohou jej tedy bezpečně obsluhovat neškolené osoby. Lze jej používat i mimo domácnosti, např. v drobném průmyslu, pokud je provozován stejným způsobem jako v domácnostech.

Jiné použití nebo použití nad rámec daného rozsahu je považováno za použití v rozporu s určením. K použití v souladu s určením patří také dodržování tohoto návodu a návodů k používanému příslušenství.

2.2 Všeobecné bezpečnostní pokyny



VÝSTRAHA úraz

- Děti do 3 let udržujte v dostatečné vzdálenosti od přístroje, pokud není zajištěn stálý dohled.
- Děti ve věku 3 až 7 let smějí přístroj zapínat a vypínat, jsou-li pod dohledem nebo byly poučeny o bezpečném použití přístroje a pochopily z něho vyplývající rizika. Předpokladem k tomu je, aby montáž přístroje byla provedena podle popisu. Děti ve věku 3 až 7 let nesmějí zasouvat zástrčku do zásuvky a přístroj regulovat.
- Přístroj smí používat děti od 8 let a osoby se sníženými fyzickými, sensorickými nebo mentálními schopnostmi nebo s nedostatkem zkušeností a znalostí pouze pod dozorem nebo po poučení o bezpečném používání přístroje, a poté, co porozuměly nebezpečí, které z jeho používání plyne.
- Nenechávejte děti, aby si s přístrojem hrály. Čištění a údržbu, kterou má provádět uživatel, nesmí provádět samotné děti bez dozoru.



VÝSTRAHA úraz

V uzavřených prostorách se mohou rychle vyskytnout vysoké teploty. Pokud je přístroj provozován v malých místnostech a osoby, které se v nich nacházejí, nemohou přístroj samostatně regulovat nebo místnost opustit, zajistěte neustálou kontrolu.



VÝSTRAHA popálení

Nepoužívejte přístroj...

- pokud nejsou dosaženy minimální vzdálenosti od ploch přilehlých předmětů nebo jiných hořlavých materiálů.
- Nebezpečí požáru nebo exploze v místnostech s chemikáliemi, prachem, plyny nebo výpary. Před zahájením topení místnost dostatečně vyvětrejte.
- v bezprostřední blízkosti potrubí nebo nádob, které obsahují nebo rozvádějí hořlavé nebo výbušné látky.
- pokud je některá část přístroje poškozena, přístroj upadl nebo pokud je přístroj vadný.



VÝSTRAHA popálení

- Na přístroj ani do jeho bezprostřední blízkosti nepokládejte žádné hořlavé, vznětlivé nebo tepelně izolační materiály nebo předměty.
- Dbejte na to, aby nebyl blokován vstup a výstup vzduchu.
- Mezi přístroj a stěnu nezasouvejte žádné předměty.



VÝSTRAHA popálení

Přístroj není určen k použití jako samostatně stojící. Přístroj provozujte pouze na dodávaném nástěnném držáku (viz kapitola „Instalace / Montáž“).



POZOR, nebezpečí popálení

Části přístroje mohou být velmi horké a způsobit popáleniny. Jsou -li přítomny děti a osoby vyžadující ochranu, je nutná zvláštní opatrnost.



VÝSTRAHA - přehřívání

Aby se zabránilo přehřátí přístroje, nezakrývejte jej.



Věcné škody

- Pamatujte, že se přívodní kabel nesmí dotýkat přístroje.
- Přístroj nepoužívejte jako pomůcku ke stoupaní.
- Nepoužívejte přístroj ve venkovním prostředí.

2.3 Kontrolní symbol

Viz typový štítek na přístroji.

3. Popis přístroje

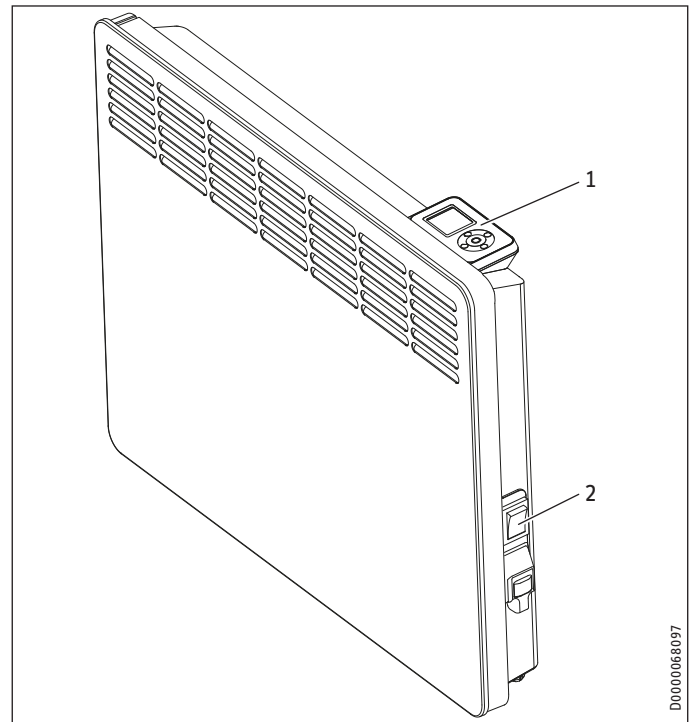
Přístroj je nástěnný elektrický přímotopný konvektor.

Přístroj je vhodný trvalé, přechodné nebo doplňkové vytápění místností.

Vzduch je v přístroji zahříván topným tělesem a na principu přirozené konvekce vystupuje nahoře ven výstupem vzduchu. Studenější vzduch proudí do přístroje vstupem vzduchu na jeho spodní straně.

Po dosažení nastavené požadované teploty v místnosti je tato teplota udržována pravidelným spínáním přístroje.

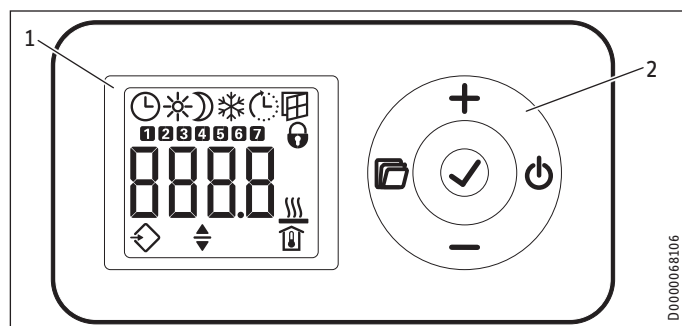
4. Obsluha



- 1 Ovládací jednotka
- 2 Síťový spínač

4.1 Ovládací jednotka

Ovládací jednotka se nachází na horní straně přístroje vpravo.



- 1 Ukazatel
2 Ovládací panel

4.1.1 Ovládací panel

Tlačítko	Název	Popis
	Tlačítko „Pohotovostní“ (Standby)	Zapnutí ovládací jednotky; Přepnutí ovládací jednotky a topného zařízení do pohotovostního režimu
	Tlačítko „OK“	Výběr; Potvrzení nastavení
	tlačítko „Nabídka“	Vyvolání a opuštění nabídky
	Tlačítko „+“	Vyvolání položek nabídky; Změna nastavení
	Tlačítko „-“	Vyvolání položek nabídky; Změna nastavení

4.1.2 Ukazatel

Pokud v průběhu 20 sekund neproběhne žádná akce obsluhy, podsvícení displeje se vypne. Stisknutím libovolného tlačítka podsvícení displeje opět zapnete.

Symbole

Symbol	Popis
	Zobrazení času: Zobrazení aktuálního času nebo naprogramovaného času zahájení Provoz časovače: Přístroj topí podle aktivovaného časového programu.
	Komfortní režim: Přístroj udržuje nastavenou komfortní teplotu. Standardní hodnota: 21,0 °C. Toto nastavení použijte pro komfortní teploty místnosti v přítomnosti osob.
	Útlumový režim: Přístroj udržuje nastavenou útlumovou teplotu. Standardní hodnota: 18,0 °C. Toto nastavení použijte např. v noci nebo v nepřítomnosti po dobu několika hodin.
	Ochrana před mrazem: Při nastavení požadované teploty v místnosti na 7,0 °C se zobrazí symbol ochrany před mrazem. Toto nastavení použijte k ochraně nepoužívané místnosti před poškozením mrazem.
	Adaptivní start: V provozu časovače jsou spínací časy topného zařízení přizpůsobeny tak, aby nastavená požadovaná teplota místnosti byla již dosažena k naprogramovanému času zahájení. Předpoklad: Funkce „Adaptivní start“ je zapnutá (viz kapitola „Nastavení / Základní nabídka“).

Symbol	Popis
	Zjištění otevřeného okna: Aby se zamezilo zbytečné spotřebě energie při větrání, zařízení se při otevřeném okně automaticky přepne do režimu ochrany před mrazem na dobu jedné hodiny. Bliká symbol „Zjištění otevřeného okna“. Režim ochrany před mrazem lze ručně ukončit po větrání stisknutím tlačítka „+“, „-“ nebo „OK“. Přístroj se znovu zahřeje na nastavenou požadovanou teplotu místnosti. Předpoklad: Zjištění otevřeného okna je zapnuté (viz kapitola „Nastavení / Základní nabídka“).
	Zámek ovládání: Chcete-li ovládací panel zamknout nebo odemknout, stiskněte současně tlačítka „+“ a „-“ na 5 sekund.
	Topení aktivní: Přístroj topí, aby se udržovala nastavená požadovaná teplota místnosti.
	Zobrazení teploty místnosti
	Parametry lze editovat: Zobrazený parametr lze změnit pomocí tlačítek „+“ a „-“.
	Externí vstup (FP): Přístroje typové řady CWM U lze připojit k externímu řídicímu zařízení. Podle nastavení řídicího zařízení topí přístroj v určité denní dobu v komfortním režimu, v útlumovém režimu nebo v režimu ochrany před mrazem nebo netopí vůbec.
	Dny v týdnu: 1 = Pondělí, 2 = Úterý ... 7 = Neděle

4.2 Zapnutí a vypnutí přístroje

Upozornění
Při prvním uvedení do provozu a po delších odstávkách přístroje je možné, že chvíli ucítíte z přístroje zápach.

Přístroj je připraven k použití, jakmile jej namontujete na stěnu a připojíte k elektrické síti.

- ▶ Zapněte přístroj stisknutím síťového spínače na pravé straně přístroje.
- ▶ Při delším nepoužívání (např. během letních měsíců) přístroj vypněte.

Všechna nastavení zůstávají po vypnutí nebo při přerušení napětí zachována. Přístroj má rezervu chodu, která zajišťuje, aby den v týdnu a čas zůstaly zachovány několik hodin.

Upozornění
Pokud se přístroj předtím nacházel v režimu časovače a byl delší dobu vypnutý, budete po zapnutí vyzváni k nastavení dne v týdnu a času. Přístroj pracuje v komfortním režimu, dokud nebude provedeno nastavení.

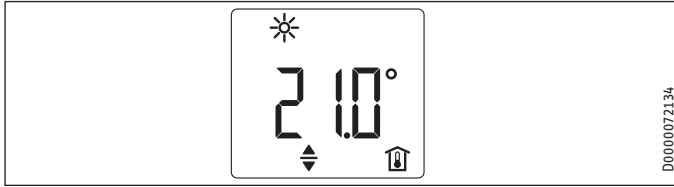
4.3 Pohotovostní (standby) režim

Věcné škody
V pohotovostním režimu přístroj za žádných okolností nezapne topení. Není pak zajištěna ochrana před mrazem.

- ▶ K zapnutí ovládací jednotky stiskněte tlačítko „Standby“. Zobrazí se standardní zobrazení.
- ▶ Chcete-li ovládací jednotku a topné zařízení přepnout do pohotovostního režimu, stiskněte tlačítko „Standby“. Zobrazení ukazuje „- - -“.

5. Nastavení

5.1 Standardní zobrazení



Standardní zobrazení je ukázáno trvale. Pokud se nacházíte v nabídce a neprovedete po dobu delší než 20 sekund žádnou akci obsluhy, přístroj se automaticky přepne na standardní zobrazení.

Ve standardním zobrazení vidíte aktuální požadovanou teplotu místnosti a symbol „Parametry lze editovat“. Pomocí tlačítek „+“ a „-“ lze požadovanou teplotu místnosti změnit.

Pokud požadovaná teplota místnosti odpovídá jedné z nastavených hodnot pro komfortní nebo útlumovou teplotu, v liště nabídky se zobrazí symbol příslušného provozního režimu (komfortní režim, útlumový režim).

Požadovanou teplotu místnosti je také možné změnit ručně v provozu časovače. Změněná požadovaná teplota místnosti zůstane zachována až do příštího naprogramovaného okamžiku sepnutí.

5.2 Základní nabídka

Abyste se dostali do základní nabídky, musíte krátce stisknout tlačítko „Nabídka“. Nyní máte přístup k následujícím položkám nabídky:

Ukazatel	Popis
	Nastavení dne v týdnu a času
	Nastavení komfortní teploty Komfortní teplota musí být nastavena o nejméně 0,5 °C vyšší než útlumová teplota.
	Nastavení útlumové teploty
	Zapnutí a vypnutí funkce „Zjištění otevřeného okna“
	Výběr časového programu (Pro1, Pro2, Pro3, off) nebo externího vstupu (FP)
	Zapnutí a vypnutí funkce „Adaptivní start“

Chcete-li změnit nastavení položky nabídky, vyvolejte příslušnou položku nabídky tlačítkem „+“ a „-“. Stiskněte tlačítko „OK“.

Jakmile se zobrazí symbol „Parametry lze editovat“, můžete nastavení položky nabídky změnit pomocí tlačítek „+“ a „-“. K uložení nastavení stiskněte tlačítko „OK“.

K opuštění základní nabídky stiskněte tlačítko „Nabídka“. Zobrazí se standardní zobrazení.

5.3 Konfigurační nabídka

Ukazatel	Popis
I1-I2	Skutečné hodnoty
Pro1-Pro3	Časové programy
P1-P5	Parametry

V konfigurační nabídce můžete vyvolat skutečné hodnoty, naprogramovat časové programy pro provoz časovače a nastavit parametry.

Chcete-li vstoupit do konfigurační nabídky, podržte stisknuté tlačítko „Nabídka“. Po cca 3 sekundách se zobrazí skutečná hodnota I1.

Tlačítka „+“ a „-“ lze přepínat mezi jednotlivými skutečnými hodnotami, časovými programy a parametry.

K opuštění konfigurační nabídky stiskněte tlačítko „Nabídka“. Zobrazí se standardní zobrazení.

5.3.1 Skutečné hodnoty

Můžete vyvolat následující skutečné hodnoty:

Ukazatel	Popis	Jednotka
I1	Skutečná hodnota teploty místnosti	[°C] [°F]
I2	Relativní doba ohřevu (Počítadlo lze resetovat pomocí parametru P5.)	[h]



Upozornění

Počítadlo relativní doby ohřevu (I2) počítá dobu, kdy přístroj topí, v celých hodinách. Když se přístroj vypíná, nejsou zaznamenány fáze topení kratší než 60 minut.

5.3.2 Časové programy

K dispozici jsou tři časové programy pro používání přístroje v provozu časovače. Časové programy Pro1 a Pro2 jsou přednastaveny sériově. Časový program Pro3 lze nastavit podle vašich individuálních požadavků.

Ukazatel	Popis
Pro1	Časový program „denně“ - opakování: Pondělí až neděle
Pro2	Časový program „v pracovních dnech“ - opakování: Pondělí až pátek
Pro3	Časový program „uživatelsky definovaný“ - až 14 volně konfigurovatelných komfortních fází



Upozornění

Chcete-li použít provoz časovače, musíte v základní nabídce vybrat požadovaný časový program (viz kapitola „Nastavení / Základní nabídka“).



Upozornění

Při nastavování časových programů zkontrolujte, zda je správně nastaven den v týdnu a čas.



Upozornění

Pro všechny časové programy (Pro1, Pro2, Pro3) platí: Pokud je čas ukončení po 23:59 hod., automaticky se nastaví na další den v týdnu. Komfortní fáze je udržována přes půlnoc a končí následující den v týdnu k nastavenému času ukončení.

Časové programy Pro1 a Pro2

Pomocí časových programů Pro1 a Pro2 lze nastavit čas zahájení a ukončení komfortního režimu. Během tohoto období přístroj topí na nastavenou komfortní teplotu. Mimo tuto pevně stanovenou dobu pracuje přístroj v útlumovém režimu. Výsledkem je fáze komfortu a poklesu, které se opakují denně (Pro1) nebo každý pracovní den (Pro2).

Od výrobce jsou tyto fáze konfigurovány takto:

- 08:00 – 22:00 hod.: Komfortní režim
- 22:00 – 8:00 hod.: Útlumový režim



Upozornění

Když je aktivován časový program Pro2, přístroj pracuje o víkendů výhradně v útlumovém režimu.

Chcete-li upravit časové programy Pro1 a Pro2 podle svých potřeb, postupujte následovně:

- ▶ Stisknutím tlačítek „+“ a „-“ vyvolejte v konfigurační nabídce požadovaný časový program.
- ▶ Stiskněte tlačítko „OK“.
Zobrazí se čas zahájení komfortního režimu.
- ▶ Nastavte požadovaný čas zahájení pomocí tlačítek „+“ a „-“.
- ▶ Stiskněte tlačítko „OK“.
Zobrazí se čas ukončení komfortního režimu.
- ▶ Nastavte požadovaný čas ukončení pomocí tlačítek „+“ a „-“.
- ▶ K uložení stiskněte tlačítko „OK“.

Časový program Pro3

Pomocí časového programu Pro3 můžete definovat až 14 samostatných komfortních fází, které se opakují jednou týdně.

Chcete-li nakonfigurovat komfortní fázi v časovém programu Pro3, postupujte následovně:

- ▶ Stisknutím tlačítek „+“ a „-“ vyvolejte v konfigurační nabídce časový program Pro3.
- ▶ Stiskněte tlačítko „OK“.
Displej zobrazuje „3---“.
- ▶ Stiskněte tlačítko „OK“.
Zobrazí se den v týdnu nebo skupina dnů v týdnu.
- ▶ Nastavte požadovaný den v týdnu nebo požadovanou skupinu dnů v týdnu pomocí tlačítek „+“ a „-“.
- ▶ Stiskněte tlačítko „OK“.
Zobrazí se čas zahájení komfortního režimu.
- ▶ Nastavte požadovaný čas zahájení pomocí tlačítek „+“ a „-“.
- ▶ Stiskněte tlačítko „OK“.
Zobrazí se čas ukončení komfortního režimu.
- ▶ Nastavte požadovaný čas ukončení pomocí tlačítek „+“ a „-“.

- ▶ Stiskněte tlačítko „OK“.
Komfortní fáze „3-01“ je nakonfigurována.
- ▶ Chcete-li konfigurovat další komfortní fázi, zvolte v časovém programu Pro3 pomocí tlačítek „+“ a „-“ zobrazení „3---“.
Postupujte podle popisu výše.



Upozornění

K vynulování nastavených komfortních fází aktivujte parametr P4.

- ▶ Dbejte na to, že aktivací parametru P4 se resetují všechny časové programy (Pro1, Pro2, Pro3) do stavu při dodání.

5.3.3 Parametry

Můžete vyvolat následující parametry:

Ukazatel	Popis	Možnosti
P1	Ofset teploty místnosti	±3 °C ±5 °F
P2	Časový formát	12 h 24 h
P3	Jednotka ukazatele teploty	°C °F
P4	Reset časových programů (provoz časovače).	on off
P5	Reset relativní doby ohřevu	on off

Chcete-li změnit hodnotu parametru, vyvolejte příslušný parametr tlačítky „+“ a „-“. Stiskněte tlačítko „OK“.

Jakmile se zobrazí symbol „Parametry lze editovat“, můžete hodnotu parametru změnit pomocí tlačítek „+“ a „-“. K uložení nastavené hodnoty stiskněte tlačítko „OK“.

P1: Ofset teploty místnosti

Nerovnoměrné rozložení teploty v místnosti může vést k rozdílu mezi zobrazenou skutečnou teplotou I1 a vámi naměřenou teplotou místnosti. Chcete-li rozdíl vyrovnat, můžete nastavit ofset teploty místnosti ± 3 °C pomocí parametru P1.

Příklad: Přístroj zobrazuje I1 = 21,0 °C. Vámi naměřená teplota místnosti je 20,0 °C. Rozdíl je 1,0 °C.

- ▶ Chcete-li rozdíl vyrovnat, nastavte ofset P1 = -1,0.

P2: Časový formát

Pomocí parametru P2 lze určit, zda se čas zobrazí ve 12hodinovém nebo 24hodinovém formátu.

P3: Jednotka ukazatele teploty

Pomocí parametru P3 lze určit, zda se teplota místnosti zobrazí ve stupních Celsia [°C] nebo stupních Fahrenheita [°F].

P4: Reset časových programů

Aktivací parametru P4 resetujete všechny časové programy na stav při dodání.

P5: Reset relativní doby ohřevu

Aktivováním parametru P5 resetujete počítadlo relativní doby ohřevu (I2).

6. Čištění, péče a údržba

Přístroj neobsahuje žádné součásti vyžadující údržbu uživatele.



Věcné škody

- Nestříkejte do větracích otvorů čisticí spreje.
- Pamatujte, že do přístroje nesmí vniknout žádná vlhkost.

- Pokud se na přístroji objeví mírně zahnědlé zbarvení, setřete je vlhkou utěrkou.
- Přístroj čistěte v ochlazeném stavu běžnými čisticími prostředky. Nepoužívejte čisticí píský a leptavé prostředky.



Upozornění

Při pravidelné údržbě doporučujeme nechat otestovat také kontrolní a regulační zařízení.

- Bezpečnostní, kontrolní a regulační zařízení nechejte otestovat autorizovaným servisem nejpozději 10 let po prvním uvedení do provozu.

7. Odstranění problémů

Problém	Příčina	Odstranění
Místnost není dostatečně teplá. Přístroj se nezahřívá.	Je nastavena příliš nízká teplota na přístroji.	Zkontrolujte nastavenou teplotu místnosti. Případně doladte.
	Chybí napájení.	Zkontrolujte polohu síťového spínače, proudového chránič a pojistky v domovní instalaci.
Místnost není dostatečně teplá, přestože přístroj je horký.	Přehřátí. Bezpečnostní omezovač teploty omezuje topný výkon.	Odstraňte příčinu (nečistoty nebo překážky na vstupu nebo výstupu vzduchu). Dodržte minimální vzdálenosti!
	Potřeba tepla v místnosti je vyšší než výkon přístroje.	Omezte tepelné ztráty (zavřete okna a dveře. Zabraňte trvalému větrání.)
Místnost je příliš teplá.	Je nastavena příliš vysoká teplota na přístroji.	Zkontrolujte nastavenou teplotu místnosti. Případně doladte.
	Zjištěná teplota místnosti se liší od skutečné teploty místnosti.	Vyhnete se překážkám pro výměnu vzduchu mezi přístrojem a vzduchem v místnosti.
Zjištění otevřeného okna nereaguje.	Přístroj nezjistí žádný významný pokles teploty v důsledku větrání. (Zjištění otevřeného okna vyžaduje dříve stabilní teplotu místnosti.)	Po nastavení na přístroji vyčkejte, dokud se teplota místnosti zcela nestabilizuje.
		Vyhnete se překážkám pro výměnu vzduchu mezi přístrojem a vzduchem v místnosti. Přístroj přepněte na dobu větrání ručně do pohotovostního režimu.
	Zjištění otevřeného okna není aktivováno.	V základní nabídce zapněte zjištění otevřeného okna.
Funkce „Adaptivní start“ nefunguje podle potřeby.	Funkce má vliv pouze na provoz časovače.	Provoz časovače použijte pro optimální komfort topení.
	Teplota místnosti se silně mění nebo proces učení přístroje není dokončen.	Počkejte několik dní, než se chování stabilizuje.
	Funkce „Adaptivní start“ není aktivována.	Zapněte v základní nabídce funkci „Adaptivní start“.

Problém	Příčina	Odstranění
Přístroj je v programu „FP“, ale nereaguje na externí vstup.	Pokud přístroj nerozpozná žádný signál na externím vstupu, topí v komfortním režimu.	Zkontrolujte externí řídicí zařízení a jeho nastavení. Kabeláž musí být správně zapojena a polarizována.
Na displeji se zobrazí „Err“ nebo „E...“.	Byla zjištěna vnitřní chyba.	Informujte autorizovaný servis.

Pokud nedokážete příčinu odstranit, kontaktujte specializovaného odborníka. K získání lepší a rychlejší pomoci sdělte číslo z typového štítku (000000-0000-000000).

INSTALACE

8. Zabezpečení

Instalaci, uvedení do provozu, údržbu a opravy přístroje smí provádět pouze odborník.

8.1 Všeobecné bezpečnostní pokyny

Řádnou funkci a spolehlivý provoz lze zaručit pouze v případě použití původního příslušenství a originálních náhradních dílů určených pro tento přístroj.



POZOR, nebezpečí popálení

- Přístroj namontujte pouze na svislou stěnu, odolnou proti působení teploty minimálně 85 °C.
- Dodržujte minimální vzdálenosti od sousedních povrchů.



Věcné škody

- Neinstalujte přístroj přímo pod zásuvku.
- Pamatujte, že se přívodní kabel nesmí dotýkat žádných částí přístroje.

8.2 Předpisy, normy a ustanovení



Upozornění

Dodržujte všechny národní a místní předpisy a ustanovení.

9. Popis přístroje

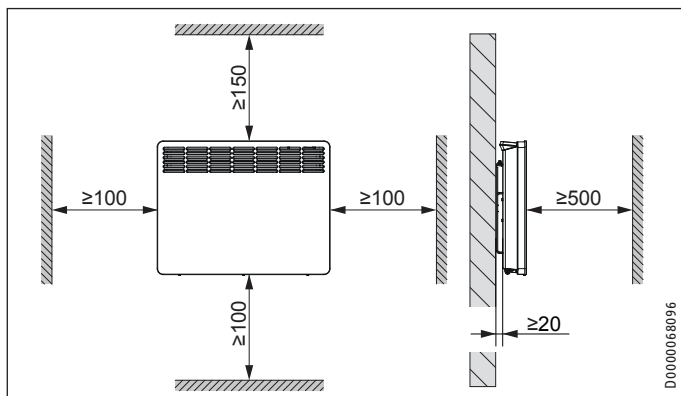
9.1 Rozsah dodávky

Spolu s přístrojem je dodáváno:

- Nástěnný držák (zavěšen na přístroji)

10. Montáž

10.1 Minimální vzdálenosti



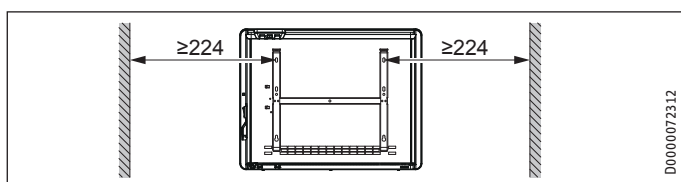
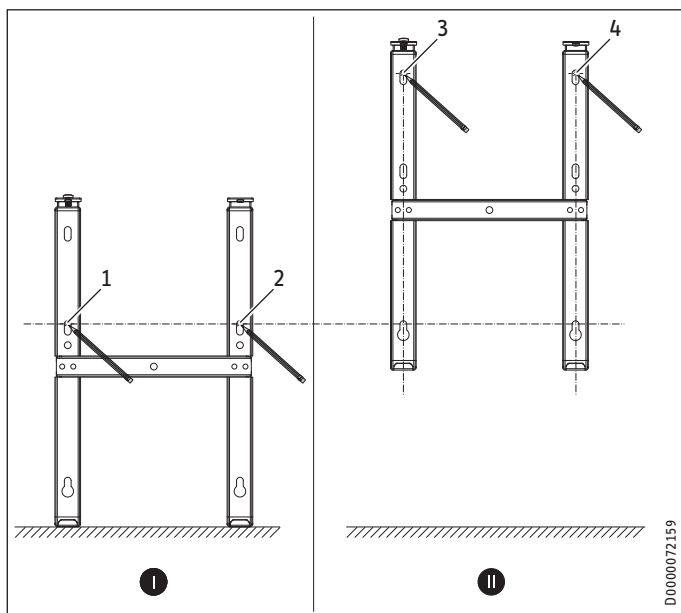
10.2 Montáž nástěnného držáku

Přístroj je určen k montáži na stěnu pomocí dodávaného nástěnného držáku. Přístroj se smí montovat pouze vodorovně.



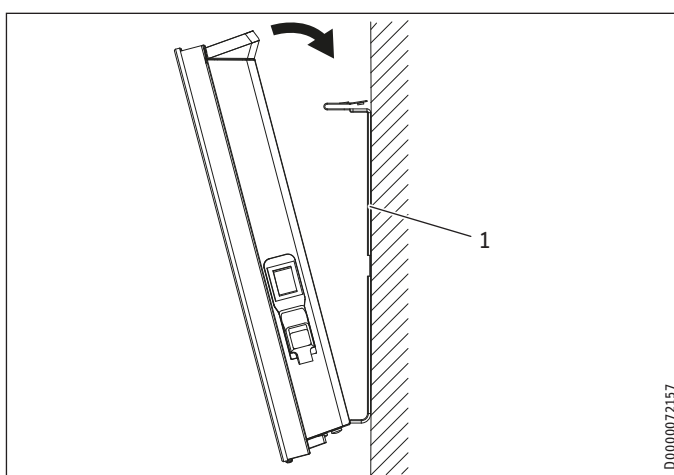
Upozornění

- Nástěnný držák můžete použít jako šablonu k upevnění ke stěně. Tím je zajištěna nezbytná vzdálenost od podlahy.
- Pokud je podlaha nerovná nebo nakloněná, použijte vodováhu.



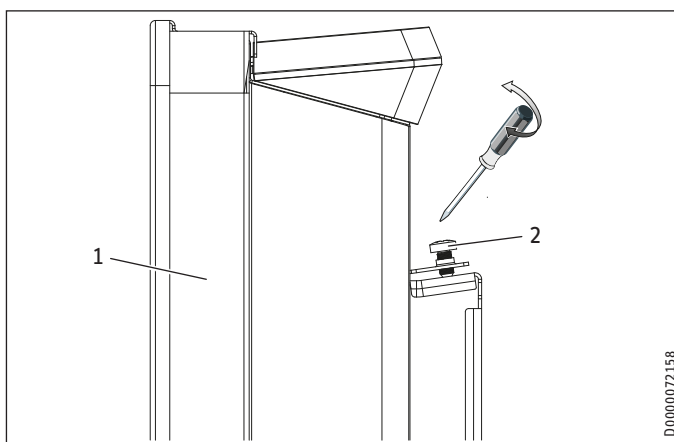
- Z přístroje vyvěste nástěnný držák.
- Položte nástěnný držák na zem tak, abyste dosáhli vodorovné polohy. Označte otvory 1 a 2.
- Zvedněte nástěnný držák do výšky tak, aby se spodní otvory v držáku překrývaly s právě provedenými značkami na montážní stěně.
- Označte otvory 3 a 4 na montážní stěně.
- Vyrvejte otvory ve 4 značkách.
- Upevněte nástěnný držák vhodným upevňovacím materiálem (šrouby, hmoždinky). Polohu můžete v případě nepřesně vyvrтанých otvorů podle potřeby upravit svislými podélnými otvory.

10.3 Montáž přístroje



1 Nástěnný držák

- Přístroj zavěste pomocí nosných drážek na zadní straně přístroje na spodní lamely v nástěnném držáku.
- Přesuňte přístroj do vzpřímené polohy.
- Aby došlo k aretaci přístroje ve směru upevňovací stěny, zatlačte na něj až do slyšitelného zacvaknutí v obou horních pružinách nástěnného držáku.



1 Přístroj 2 Pojistný šroub

- Přístroj zajistěte dodaným pojistným šroubem na levé straně nástěnného držáku proti náhodnému sundání.

10.4 Demontáž přístroje

- ▶ Povolte a vyjměte pojistný šroub z nástěnného držáku.
- ▶ Přístroj uvolněte stlačením pružin umístěných nahoře na nástěnném držáku dolů.
- ▶ Nakloňte přístroj dopředu a zvedněte ho ze spodních lamel nástěnného držáku.

10.5 Připojení elektrického napětí



VÝSTRAHA elektrický proud

- Veškerá elektrická zapojení a instalace provádějte podle předpisů.
- Přístroj musí být v případě pevného připojení možné odpojit od elektrické sítě na všech pólech na vzdálenost nejméně 3 mm.
- Instalace s pevným přívodním vedením není přípustná.



Upozornění

- Dodržujte údaje uvedené na typovém štítku. Uvedené napětí se musí shodovat se síťovým napětím.
- V místě montáže dbejte na dostatečný průměr přívodního kabelu.

10.5.1 Typová řada CWM P

Přístroj je při dodání připraven k zapojení. Jsou přípustné následující možnosti elektrického připojení:

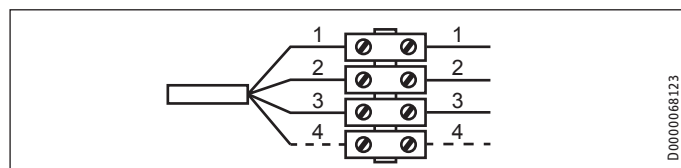
	CWM 500-3000 P
Připojení k volně přístupné zásuvce s ochranným kontaktem s odpovídající zástrčkou	X
Pevné připojení k přípojné krabici přístroje s ochranným vodičem	X

- Při připojování do zásuvky dbejte na to, aby zásuvka byla po instalaci přístroje volně přístupná.
- Pokud přístroj pevně připojíte, zkratíte přívodní kabel tak, aby vedl přímo k přípojné krabici přístroje. Při zkracování přívodního kabelu dbejte na to, aby bylo možné přístroj ještě bez problémů sundat z montážní stěny.

10.5.2 Typová řada CWM U

Přístroj je dodán s přívodním kabelem bez zástrčky.

- ▶ Při pevném připojení připojte 4žilový přívodní kabel k přípojné krabici přístroje, jak je znázorněno na obrázku:



- 1 Nulový vodič = modrý kabel
- 2 Fáze = hnědý kabel
- 3 Ochranný vodič = zeleno-žlutý
- 4 Řídicí vodič = černý kabel

K připojení přístroje jsou k dispozici následující 3 možnosti:

- Připojení přístroje bez řídicího vodiče

Přístroj bez ovládání. Řídicí vodič není připojen. V tomto případě řídicí vodič odizolujte.

- Pokles teploty přes řídicí vodič

K poklesu na nastavenou útlumovou teplotu je černý řídicí vodič aktivován pomocí externího elektronického kontaktu (např. přes spínací hodiny).

- Připojení řídicího vodiče k externímu řídicímu zařízení

Přístroj lze připojit k libovolnému řídicímu zařízení, které jako řídicí signál vysílá formy signálu uvedené v následující tabulce.

Příkaz	Osciloskop	Režim	Teplota topení
Bez proudu		Komfortní režim	V závislosti na nastavené komfortní teplotě
Úplná vlna 230 V		Útlumový režim	V závislosti na nastavené útlumové teplotě
Půlvlna negativní -115 V		Protizámrazová ochrana	Protizámrazová teplota
Půlvlna pozitivní +115 V		Stop	Zadne
Úplná vlna 230 V na 3 sekund		Komfortní režim -1 °C	0 1 °C nižší než nastavená komfortní teplota
Úplná vlna 230 V na 7 sekund		Komfortní režim -2 °C	0 2 °C nižší než nastavená komfortní teplota

11. Uvedení do provozu

Přístroj je připraven k provozu, jakmile jej upevníte na montážní stěnu a připojíte do elektrické zásuvky.

- ▶ Sundejte ochrannou fólii z ovládací jednotky.

12. Odstraňování poruch

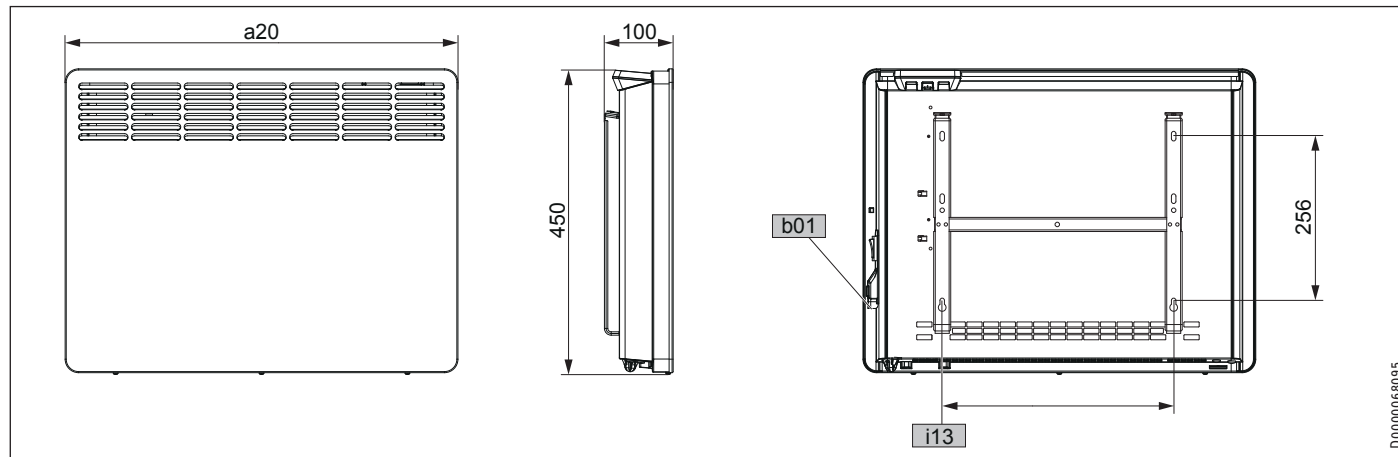
Přívodní kabel smí při poškození nebo při výměně nahradit originálním náhradním dílem pouze autorizovaný servis s oprávněním výrobce.

13. Předání přístroje

Vysvětlte uživateli funkce přístroje. Upozorněte jej především na bezpečnostní pokyny. Předajte uživateli návod k obsluze a instalaci.

14. Technické údaje

14.1 Rozměry a přípojky



			CWM 500 P/U	CWM 750 P/U	CWM 1000 P/U	CWM 1500 P/U	CWM 2000 P/U	CWM 2500 P/U	CWM 3000 P/U	
a20	Přístroj	Šířka	mm	348	426	426	582	738	894	1050
i13	Zavěšení na zeď	Vodorovný roze- stup mezi otvory	mm	101	179	179	335	491	647	803
b01	Průchodka el. rozvodů									

14.2 Údaje ke spotřebě energie

Údaje o výrobku odpovídají nařízením EU ke směrnici o ekodesignu výrobků v souvislosti se spotřebou energie (ErP).

		CWM 500 P/U	CWM 750 P/U	CWM 1000 P/U	CWM 1500 P/U	CWM 2000 P/U	CWM 2500 P/U	CWM 3000 P/U
CWM P		200254	200255	200256	200257	200258	200259	200260
CWM U		200261	200262	200263	200264	200265	200266	200267
Výrobce		STIEBEL ELTRON	STIEBEL ELTRON	STIEBEL ELTRON	STIEBEL ELTRON	STIEBEL ELTRON	STIEBEL ELTRON	STIEBEL ELTRON
Tepelný výkon								
Jmenovitý tepelný výkon P_{nom}	kW	0,5	0,8	1,0	1,5	2,0	2,5	3,0
Minimální tepelný výkon (směrná hodnota) P_{min}	kW	0,0	0,0	0,0	0,0	0,0	0,0	0,0
Maximální trvalý tepelný výkon $P_{max,c}$	kW	0,5	0,8	1,0	1,5	2,0	2,5	3,0
Spotřeba pomocného proudu								
Při jmenovitém tepelném výkonu e_{lmax}	kW	0,000	0,000	0,000	0,000	0,000	0,000	0,000
Při minimálním tepelném výkonu e_{lmin}	kW	0,000	0,000	0,000	0,000	0,000	0,000	0,000
V pohotovostním stavu e_{lsb}	kW	0,000	0,000	0,000	0,000	0,000	0,000	0,000
Druh tepelného výkonu/kontroly teploty místnosti								
Jednostupňový tepelný výkon, žádná kontrola teploty místnosti		-	-	-	-	-	-	-
Dva nebo více ručně nastavitelných stupňů, bez kontroly teploty místnosti		-	-	-	-	-	-	-
Kontrola teploty místnosti s mechanickým termostatem		-	-	-	-	-	-	-
S elektronickou kontrolou teploty místnosti		-	-	-	-	-	-	-
Elektronická kontrola teploty místnosti a regulace denní doby		-	-	-	-	-	-	-
Elektronická kontrola teploty místnosti a regulace podle dnů v týdnu		x	x	x	x	x	x	x
Jiné možnosti regulace								
Kontrola teploty místnosti se zjištěním přítomnosti		-	-	-	-	-	-	-
Kontrola teploty místnosti se zjištěním otevřeného okna		x	x	x	x	x	x	x
S možností dálkového ovládání		-	-	-	-	-	-	-
S adaptivní regulací zahájení topení		x	x	x	x	x	x	x
S omezením doby provozu		-	-	-	-	-	-	-
Se snímačem s černou kuličkou		-	-	-	-	-	-	-

14.3 Tabulka údajů

		CWM 500 P/U	CWM 750 P/U	CWM 1000 P/U	CWM 1500 P/U	CWM 2000 P/U	CWM 2500 P/U	CWM 3000 P/U
CWM P		200254	200255	200256	200257	200258	200259	200260
CWM U		200261	200262	200263	200264	200265	200266	200267
Elektrotechnické údaje								
Přípojovací výkon	W	500	750	1000	1500	2000	2500	3000
Síťová přípojka		1/N/PE ~ 230 V	1/N/PE ~ 230 V	1/N/PE ~ 230 V	1/N/PE ~ 230 V	1/N/PE ~ 230 V	1/N/PE ~ 230 V	1/N/PE ~ 230 V
Jmenovitý proud	A	2,2	3,3	4,3	6,5	8,7	10,9	13,0
Frekvence	Hz	50/-	50/-	50/-	50/-	50/-	50/-	50/-
Rozměry								
Výška	mm	450	450	450	450	450	450	450
Šířka	mm	348	426	426	582	738	894	1050
Hloubka	mm	100	100	100	100	100	100	100
Hmotnosti								
Hmotnost	kg	4,0	4,6	4,6	6,0	7,7	9,2	10,9
Provedení								
Nastavení ochrany proti zamrznutí	°C	7	7	7	7	7	7	7
Provedení		Nástěnný přístroj	Nástěnný přístroj	Nástěnný přístroj	Nástěnný přístroj	Nástěnný přístroj	Nástěnný přístroj	Nástěnný přístroj
Krytí (IP)		IP24	IP24	IP24	IP24	IP24	IP24	IP24
Třída krytí		I	I	I	I	I	I	I
Barva		Alpská bílá	Alpská bílá	Alpská bílá	Alpská bílá	Alpská bílá	Alpská bílá	Alpská bílá
Hodnoty								
Rozsah nastavení	°C	5-30	5-30	5-30	5-30	5-30	5-30	5-30

Záruka

Pro přístroje nabyté mimo území Německa neplatí záruční podmínky poskytované našimi firmami v Německu. V zemích, ve kterých některá z našich dceřiných společností distribuuje naše výrobky, poskytuje záruku jenom tato dceřiná společnost. Takovou záruku lze poskytnout pouze tehdy, pokud dceřiná společnost vydala vlastní záruční podmínky. Jinak nelze záruku poskytnout.

Na přístroje zakoupené v zemích, ve kterých nejsou naše výrobky distribuovány žádnou z dceřiných společností, neposkytujeme žádnou záruku. Případné záruky závazně přislíbené dovozcem zůstávají proto nedotčené.

Životní prostředí a recyklace

Pomozte nám chránit naše životní prostředí. Materiály po použití zlikvidujte v souladu s platnými národními předpisy.

ŠPECIÁLNE POKYNY

OBSLUHA

1.	Všeobecné pokyny	49
1.1	Bezpečnostné pokyny	49
1.2	Iné označenia v tejto dokumentácii	49
1.3	Upozornenia na prístroji	49
1.4	Rozmerové jednotky	49
2.	Bezpečnosť	49
2.1	Použitie v súlade s určením	49
2.2	Všeobecné bezpečnostné pokyny	50
2.3	Certifikačné značky	50
3.	Popis zariadenia	50
4.	Obsluha	50
4.1	Ovládacia jednotka	51
4.2	Zapnutie a vypnutie prístroja	51
4.3	Pohotovostný režim	51
5.	Nastavenia	52
5.1	Štandardná indikácia	52
5.2	Základné menu	52
5.3	Menu Konfigurácia	52
6.	Čistenie, ošetrovanie a údržba	54
7.	Odstraňovanie problémov	54

INŠTALÁCIA

8.	Bezpečnosť	54
8.1	Všeobecné bezpečnostné pokyny	54
8.2	Predpisy, normy a ustanovenia	54
9.	Popis zariadenia	54
9.1	Rozsah dodávky	54
10.	Montáž	55
10.1	Minimálne vzdialenosti	55
10.2	Montáž nástenného držiaka	55
10.3	Montáž zariadenia	55
10.4	Demontáž prístroja	56
10.5	Elektrické pripojenie	56
11.	Uvedenie do prevádzky	56
12.	Odstraňovanie porúch	56
13.	Odovzdanie zariadenia	56
14.	Technické údaje	57
14.1	Rozmery a prípojky	57
14.2	Údaje k spotrebe energie	57
14.3	Tabuľka s údajmi	58

ZÁRUKA

ŽIVOTNÉ PROSTREDIE A RECYKLÁCIA

ŠPECIÁLNE POKYNY

- Deti do 3 rokov držte ďalej od prístroja, ak nad nimi nie je zabezpečený neustály dohľad.
- Prístroj môžu zapínať a vypínať aj deti od 3 do 7 rokov, ak sa na ne dohliada, alebo ak sú oboznámené s bezpečným používaním prístroja a sú si vedomé nebezpečenstiev, ktoré z toho plynú. Podmienkou pri tom je, aby bol prístroj namontovaný tak, ako je popísané. Deti od 3 do 7 rokov nesmú zapájať zástrčku do zásuvky ani vykonávať reguláciu prístroja.
- Deti od 8 rokov, ako aj osoby so zníženými fyzickými, senzorickými či mentálnymi schopnosťami alebo osoby s nedostatočnými skúsenosťami a vedomosťami môžu prístroj používať pod dozorom, prípadne ak boli o bezpečnom používaní prístroja poučené a porozumejú z toho vyplývajúcim nebezpečenstvám.
- Deti sa so zariadením nesmú hrať. Čistenie a používateľskú údržbu nesmú vykonávať deti bez dozoru.
- Jednotlivé časti prístroja sa môžu zahrievať na vysokú teplotu a spôsobiť popáleniny. V prítomnosti detí a osôb odkázaných na pomoc druhých je treba postupovať obzvlášť opatrne.
- Prístroj nezakrývajte, predídete tak jeho prehriatiu.
- Neumiestňujte prístroj bezprostredne pod stenovú zásuvku.
- Pri trvalej prípojke sa prístroj musí dať odpojiť od sieťového pripojenia všetkými pólmi s minimálnou odpojovacou vzdialenosťou 3 mm.
- Pri poškodení alebo výmene môže sieťový pripojovací kábel nahradiť originálnym náhradným dielom iba odborný inštalatér oprávnený výrobcom.
- Upevnite prístroj tak, ako je popísané v kapitole „Inštalácia / Montáž“.

OBSLUHA

1. Všeobecné pokyny

Kapitoly Špeciálne pokyny a Obsluha sú zamerané na používateľa zariadenia a odborného montážnika.

Kapitola „Inštalácia“ je určená odbornému montážnikovi.



Upozornenie

Pred použitím si dôkladne prečítajte tento návod a uschovejte ho.
Tento návod prípadne odovzdajte nasledujúcemu používateľovi.

1.1 Bezpečnostné pokyny

1.1.1 Štruktúra bezpečnostných pokynov



SIGNÁLNE SLOVO Druh nebezpečenstva
Tu sú uvedené možné následky pri nerešpektovaní bezpečnostných pokynov.
► Tu sú uvedené opatrenia na odvrátenie nebezpečenstva.

1.1.2 Symboly, druh nebezpečenstva

Symbol	Druh nebezpečenstva
	Poranenie
	Zásah elektrickým prúdom
	Popálenie (popálenie, obarenie)

1.1.3 Signálne slová

SIGNÁLNE SLOVO	Význam
NEBEZPEČENSTVO	Pokyny, ktorých nedodržiavanie má za následok ťažké poranenia alebo smrť.
VÝSTRAHA	Pokyny, ktorých nerešpektovanie môže mať za následok ťažké poranenia alebo smrť.
POZOR	Pokyny, ktorých nedodržiavanie môže viesť k stredne ťažkým alebo ľahkým poraneniam.

1.2 Iné označenia v tejto dokumentácii



Upozornenie

Všeobecné pokyny sú označené vedľa uvedeným symbolom.

► Pozorne si prečítajte texty upozornení.

Symbol	Význam
	Materiálne škody (škody na zariadení, následné škody, škody na životnom prostredí)
	Likvidácia zariadenia

► Tento symbol vám signalizuje, že musíte niečo urobiť. Potrebné postupy sú popísané krok za krokom.

1.3 Upozornenia na prístroji

Symbol	Význam
	Prístroj nezakrývajte

1.4 Rozmerové jednotky



Upozornenie

Ak nie je uvedené inak, všetky rozmery sú v milimetroch.

2. Bezpečnosť

2.1 Použitie v súlade s určením

Prístroj slúži na ohrev obytných miestností.

Zariadenie je určené na používanie v domácom prostredí. Bezpečne ho môžu používať aj osoby, ktoré neboli o používaní poučené. Zariadenie sa môže používať aj v inom ako domácom prostredí, napr. v malých prevádzkach, ak sa používa rovnakým spôsobom.

Iné použitie alebo použitie nad určený rámec sa pokladá za použitie v rozpore s určením. K použitiu v súlade s určením patrí aj dodržiavanie tohto návodu, ako aj návodov pre použité príslušenstvo.

2.2 Všeobecné bezpečnostné pokyny



VÝSTRAHA Poranenie

- Deti do 3 rokov držte ďalej od prístroja, ak nad nimi nie je zabezpečený neustály dohľad.
- Prístroj môžu zapínať a vypínať aj deti od 3 do 7 rokov, ak sa na ne dohliada, alebo ak sú oboznámené s bezpečným používaním prístroja a sú si vedomé nebezpečenstiev, ktoré z toho plynú. Podmienkou pri tom je, aby bol prístroj namontovaný tak, ako je popísané. Deti od 3 do 7 rokov nesmú zapájať zástrčku do zásuvky ani vykonávať reguláciu prístroja.
- Deti od 8 rokov, ako aj osoby so zníženými fyzickými, senzorickými či mentálnymi schopnosťami alebo osoby s nedostatočnými skúsenosťami a vedomosťami môžu prístroj používať pod dozorom, prípadne ak boli o bezpečnom používaní prístroja poučené a porozumeli z toho vyplývajúcim nebezpečenstvám.
- Deti sa so zariadením nesmú hrať. Čistenie a používateľskú údržbu nesmú vykonávať deti bez dozoru.



VÝSTRAHA Poranenie

V uzavretých miestnostiach môžu rýchlo vzniknúť vysoké teploty. Keď sa prístroj prevádzkuje v malých miestnostiach a osoby, ktoré sa v nich nachádzajú, nemôžu samostatne regulovať prístroj alebo opustiť miestnosť, zabezpečte neustály dozor.



VÝSTRAHA Popálenie

Prístroj neprevádzkujte ...

- keď sa nedosahujú minimálne vzdialenosti k susediacim povrchom predmetov alebo iným horľavým materiálom;
- v miestnostiach ohrozených výbuchom alebo požiarom chemikálií, prachu, plynov alebo výparov. Pred vykurovaním miestnosť dostatočne vyvetrajte;
- v bezprostrednej blízkosti potrubí alebo nádob, ktoré vedú alebo obsahujú horľavé látky alebo látky ohrozujúce výbuchom;
- keď je poškodený konštrukčný diel prístroja, keď prístroj spadne alebo nesprávne funguje.



VÝSTRAHA Popálenie

- Nekladte horľavé, zápalné ani tepelne izolujúce predmety či látky na prístroj alebo do jeho bezprostrednej blízkosti.
- Dbajte na to, aby nebol zablokovaný vstup a výstup vzduchu.
- Medzi prístroj a stenu nestrkajte žiadne predmety.



VÝSTRAHA Popálenie

Prístroj nie je vhodný na použitie ako stacionárny prístroj. Prevádzkujte prístroj výhradne na dodanom nástennom držiaku (pozri kapitolu „Inštalácia / Montáž“).



POZOR Popálenie

Jednotlivé časti prístroja sa môžu zahrievať na vysokú teplotu a spôsobiť popáleniny. V prítomnosti detí a osôb odkázaných na pomoc druhých je treba postupovať obzvlášť opatrne.



VÝSTRAHA Prehriatie

Prístroj nezakrývajte, predídete tak jeho prehriatiu.



Materiálne škody

- Dbajte na to, aby sieťový pripojovací kábel neprilieval k prístroju.
- Nepoužívajte prístroj ako pomôcku pri vystupovaní na vyššie povrchy.
- Prístroj neprevádzkujte vonku.

2.3 Certifikačné značky

Pozri typový štítok na zariadení.

3. Popis zariadenia

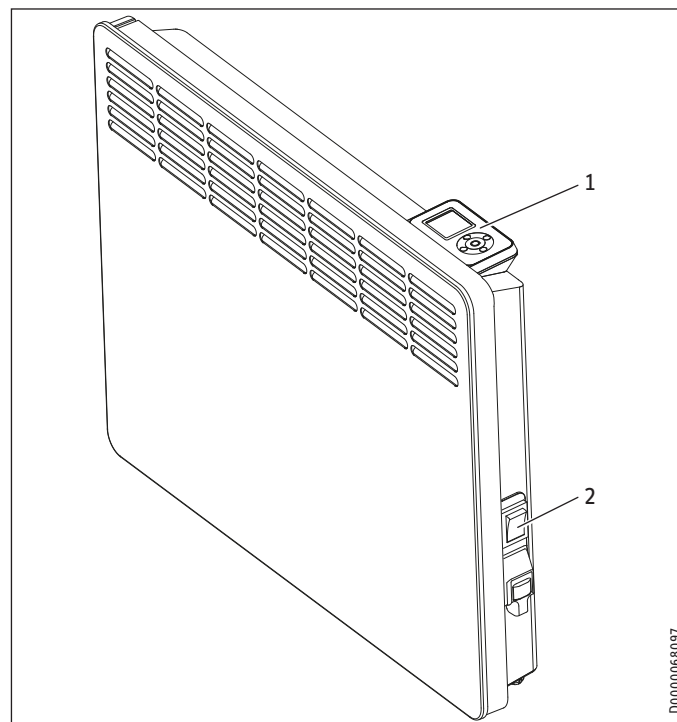
Prístroj je závesný elektrický priamo vykurovací prístroj.

Prístroj sa hodí napr. ako plnohodnotné vykurovanie alebo ako prechodné a doplnkové vykurovanie pre menšie miestnosti.

Vzduch v prístroji ohrieva vykurovacie teleso a prirodzenou konvekciou vystupuje hore cez výstup vzduchu. Cez vstup vzduchu na spodnej strane prístroja priteká studený vzduch v miestnosti.

Po dosiahnutí nastavenej požadovanej teploty miestnosti sa táto teplota bude udržiavať občasným vykurovaním.

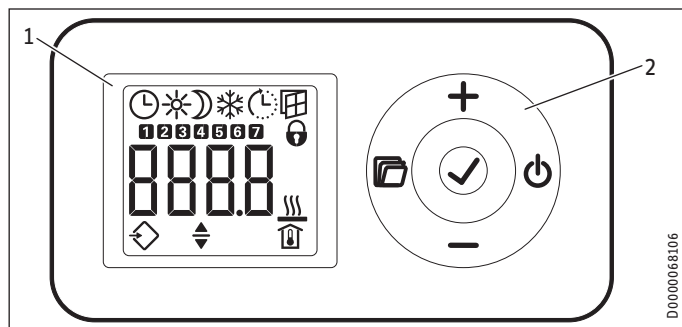
4. Obsluha



- 1 Ovládacia jednotka
- 2 Sieťový vypínač

4.1 Ovládacia jednotka

Obslužná jednotka sa nachádza na pravej hornej strane prístroja.



- 1 Indikácia
2 Ovládací panel

4.1.1 Ovládací panel

Tlačidlo	Pomenovanie	Popis
	Tlačidlo „Standby“	Zapnutie obslužnej jednotky; Prestavenie obslužnej jednotky a vykurovacieho prístroja do pohotovostného režimu
	Tlačidlo „OK“	Výber; Potvrdenie nastavení
	Tlačidlo „Menu“	Vyvolanie a opustenie menu
	Tlačidlo „+“	Vyvolanie položiek menu; Zmena nastavení
	Tlačidlo „-“	Vyvolanie položiek menu; Zmena nastavení

4.1.2 Indikácia

Ak do 20 sekúnd nedôjde k obsluhu prístroja, podsvietenie sa vypne. Stlačením ľubovoľného tlačidla sa podsvietenie znova zapne.

Symboły

Symbol	Popis
	Indikácia času: Indikácia aktuálneho času alebo naprogramovaného času začatia Režim časovača: Prístroj vykuruje podľa aktivovaného časového programu.
	Komfortný režim: Prístroj udržiava nastavenú komfortnú teplotu. Štandardná hodnota: 21,0 °C. Toto nastavenie používajte na komfortné teploty v miestnosti počas neprítomnosti.
	Útlmový režim: Prístroj udržiava nastavenú znižovaciu teplotu. Štandardná hodnota: 18,0 °C. Toto nastavenie používajte napríklad v noci alebo počas neprítomnosti na niekoľko hodín.
	Protimrazová ochrana: Pri nastavení požadovanej teploty miestnosti na 7,0 °C sa zobrazí symbol protimrazovej ochrany. Toto nastavenie používajte na ochranu nevyužívanej miestnosti pred poškodením mrazom.
	Adaptívne spustenie: V režime časovača sa spínacie časy vykurovacieho prístroja prispôbia tak, aby sa príslušná nastavená požadovaná teplota v miestnosti dosiahla už v naprogramovaný čas začatia. Predpoklad: Funkcia „Adaptívne spustenie“ je zapnutá (pozri kapitolu „Nastavenia / Základné menu“).

Symbol	Popis
	Rozpoznanie otvorených okien: Aby sa zabránilo zbytočnej spotrebe energie počas vetrania, prístroj sa pri otvorenom okne automaticky na jednu hodinu prepne do režimu protimrazovej ochrany. Bliká symbol „Rozpoznanie otvorených okien“. Režim protimrazovej ochrany môžete po vetraní manuálne ukončiť tlačidlom „+“, „-“ alebo „OK“. Prístroj znova vykúri miestnosť na nastavenú požadovanú teplotu v miestnosti. Predpoklad: Rozpoznanie otvorených okien je zapnuté (pozri kapitolu „Nastavenia / Základné menu“).
	Blokovanie obsluhy: Ak chcete ovládací panel zablokovať alebo odblokovať, 5 sekúnd držte súčasne stlačené tlačidlá „+“ a „-“.
	Kúrenie aktívne: Prístroj kúri, aby udržal nastavenú požadovanú teplotu v miestnosti.
	Zobrazenie teploty v miestnosti
	Upraviteľné parametre: Zobrazené parametre sa dajú zmeniť tlačidlami „+“ a „-“.
	Externý vstup (FP): Prístroje typového radu CWM U je možné pripojiť k externému radiacemu prístroju. Podľa nastavenia riadiaceho prístroja vykuruje prístroj v určitých denných časoch v komfortnom režime, útlmovom režime, režime protimrazovej ochrany alebo prístroj vôbec nezohrieva.
	Dni v týždni: 1 = pondelok, 2 = utorok ... 7 = nedeľa

4.2 Zapnutie a vypnutie prístroja

Upozornenie
Pri prvom uvedení do prevádzky, ako aj po dlhšom prerušení prevádzky, je možný vznik krátkodobého zápachu.

Prístroj je pripravený na prevádzku hneď, ako ho namontujete na stenu a zapojíte do elektrickej siete.

- ▶ Zapnite a vypnite prístroj stlačením sieťového vypínača na pravej strane prístroja.
- ▶ Pri dlhšom nepoužívaní (napr. počas letných mesiacov) prístroj vypnite.

Po vypnutí alebo pri prerušení napätia zostanú všetky nastavenia zachované. Prístroj disponuje rezervou vo výkone, ktorá sa stará o to, aby deň v týždni a čas zostali niekoľko hodín zachované.

Upozornenie
Ak sa prístroj predtým nachádzal v režime časovača a bol dlhší čas vypnutý, po zapnutí sa zobrazí výzva, aby ste nastavili deň v týždni a čas. Kým sa nevykoná nastavenie, prístroj pracuje v komfortnom režime.

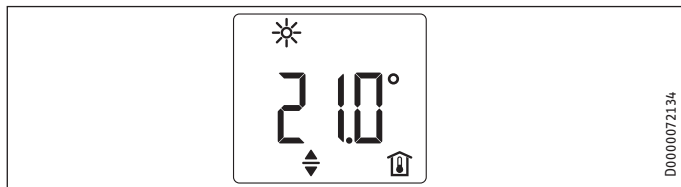
4.3 Pohotovostný režim

! Materiálne škody
V pohotovostnom režime prístroj za žiadnych okolností nezapne kúrenie. Protimrazová ochrana vtedy nefunguje.

- ▶ Ak chcete zapnúť obslužnú jednotku, stlačte tlačidlo „Standby“. Zobrazí sa štandardná indikácia.
- ▶ Ak chcete obslužnú jednotku a vykurovací prístroj prestaviť do pohotovostného režimu, stlačte tlačidlo „Standby“. Displej ukazuje „----“.

5. Nastavenia

5.1 Štandardná indikácia



Štandardná indikácia sa zobrazuje trvalo. Keď sa nachádzate v menu a dlhšie ako 20 sekúnd neobsluhujete prístroj, ten sa automaticky prepne do štandardnej indikácie.

V štandardnej indikácii vidíte aktuálnu požadovanú teplotu v miestnosti a tiež symbol „Upravitelné parametre“. Pomocou tlačidiel „+“ a „-“ môžete zmeniť požadovanú teplotu v miestnosti.

Ak požadovaná teplota v miestnosti zodpovedá jednej z nastavených hodnôt pre komfortnú alebo znižovaciu teplotu, na paneli s menu sa objaví symbol príslušného prevádzkového režimu (komfortný režim, útlmový režim).

Požadovaná teplota v miestnosti sa dá manuálne zmeniť aj v režime časovača. Zmenená požadovaná teplota v miestnosti zostane zachovaná až do ďalšej naprogramovanej spínacej doby.

5.2 Základné menu

Ak sa chcete dostať do základného menu, krátko stlačte tlačidlo „Menu“. Teraz môžete vyvolať nasledujúce položky menu:

Indikácia	Popis
	Nastavenie dňa v týždni a času
	Nastavenie komfortnej teploty Komfortná teplota musí byť nastavená minimálne o 0,5 °C vyššie ako znižovacia teplota.
	Nastavenie znižovacej teploty
	Zapnutie a vypnutie funkcie „Rozpoznanie otvorených okien“
	Výber časového programu (Pro1, Pro2, Pro3, off) alebo externého vstupu (FP)
	Zapnutie a vypnutie funkcie „Adaptívne spustenie“

Ak chcete zmeniť nastavenie položky menu, tlačidlami „+“ a „-“ vyvolajte príslušnú položku menu. Stlačte tlačidlo „OK“.

Hneď ako sa objaví symbol „Upravitelné parametre“, môžete tlačidlami „+“ a „-“ zmeniť nastavenie položky menu. Ak chcete uložiť nastavenia, stlačte tlačidlo „OK“.

Ak chcete opustiť základné menu, stlačte tlačidlo „Menu“. Zobrazí sa štandardná indikácia.

5.3 Menu Konfigurácia

Indikácia	Popis
I1-I2	Skutočné hodnoty
Pro1-Pro3	Časové programy
P1-P5	Parameter

V menu Konfigurácia môžete vyvolať skutočné hodnoty, naprogramovať časové programy pre prevádzku časovača a nastaviť parametre.

Ak sa chcete dostať do menu Konfigurácia, držte stlačené tlačidlo „Menu“. Po cca 3 sekundách sa zobrazí skutočná hodnota I1.

Tlačidlami „+“ a „-“ môžete prepínať medzi jednotlivými skutočnými hodnotami, časovými programami a parametrami.

Ak chcete opustiť menu Konfigurácia, stlačte tlačidlo „Menu“. Zobrazí sa štandardná indikácia.

5.3.1 Skutočné hodnoty

Môžete vyvolať nasledujúce skutočné hodnoty:

Indikácia	Popis	Jednotka
I1	Skutočná hodnota teploty v miestnosti	[°C] [°F]
I2	Relatívna doba ohrevu (Pomocou parametra P5 môžete vynulovať počítadlo.)	[h]



Upozornenie

Počítadlo pre relatívnu dobu ohrevu (I2) v celých hodinách počíta dobu trvania, počas ktorej prístroj vykuruje. Keď sa prístroj vypne, fázy ohrevu kratšie ako 60 minút sa nezaznamenajú.

5.3.2 Časové programy

Na použitie prístroja v režime časovača máte k dispozícii tri časové programy. Časové programy Pro1 a Pro2 sú predkonfigurované z výroby. Časový program Pro3 si môžete nastaviť podľa vašich individuálnych potrieb.

Indikácia	Popis
Pro1	Časový program „denne“ - Opakovanie: pondelok až nedeľa
Pro2	Časový program „v pracovné dni“ - Opakovanie: pondelok až piatok
Pro3	Časový program „definované používateľom“ - voľne konfigurovateľných až 14 komfortných fáz



Upozornenie

Ak chcete použiť režim časovača, v základnom menu musíte vybrať požadovaný časový program (pozri kapitolu „Nastavenia / Základné menu“).



Upozornenie

Pri nastavovaní časových programov dbajte na to, aby bol správne nastavený deň v týždni a čas.



Upozornenie

Pre všetky časové programy (Pro1, Pro2, Pro3) platí: Ak je čas ukončenia po 23:59, tak sa čas ukončenia automaticky preloží na nasledujúci deň v týždni. Komfortná fáza sa udrží cez polnoc a skončí v nasledujúci deň v týždni v nastavenom čase ukončenia.

Časové programy Pro1 a Pro2

S časovými programami Pro1 a Pro2 môžete stanoviť čas začatia a čas ukončenia komfortného režimu. V tomto časovom intervale prístroj vykúri miestnosť na nastavenú komfortnú teplotu. Mimo tohto stanoveného časového intervalu pracuje prístroj v útlmovom režime. Z toho vyplýva komfortná fáza a fáza zníženia, ktoré sa opakujú denne (Pro1), resp. v každý pracovný deň (Pro2).

Z výroby sú tieto fázy nakonfigurované takto:

- 08:00 – 22:00: Komfortný režim
- 22:00 – 8:00: útlmový režim



Upozornenie

Pri aktivovanom časovom programe Pro2 pracuje prístroj cez víkend výhradne v útlmovom režime.

Ak si chcete časové programy Pro1 a Pro2 prispôbiť podľa vašich potrieb, postupujte nasledovne:

- ▶ V menu Konfigurácia vyvolajte tlačidlami „+“ a „-“ požadovaný časový program.
- ▶ Stlačte tlačidlo „OK“.
Zobrazí sa čas začatia pre komfortnú prevádzku.
- ▶ Nastavte požadovaný čas začatia tlačidlami „+“ a „-“.
- ▶ Stlačte tlačidlo „OK“.
Zobrazí sa čas ukončenia pre komfortnú prevádzku.
- ▶ Nastavte požadovaný čas ukončenia tlačidlami „+“ a „-“.
- ▶ Pre uloženie stlačte tlačidlo „OK“.

Časový program Pro3

S časovým programom Pro3 môžete určiť až 14 samostatných komfortných fáz, ktoré sa opakujú týždenne.

Ak chcete v časovom programe Pro3 nakonfigurovať komfortnú fázu, postupujte nasledovne:

- ▶ V menu Konfigurácia vyvolajte tlačidlami „+“ a „-“ časový program Pro3.
- ▶ Stlačte tlačidlo „OK“.
Indikácia ukazuje „3 - - -“.
- ▶ Stlačte tlačidlo „OK“.
Zobrazí sa deň v týždni, resp. skupina dní v týždni.
- ▶ Tlačidlami „+“ a „-“ nastavte požadovaný deň v týždni, resp. požadovanú skupinu dní v týždni.
- ▶ Stlačte tlačidlo „OK“.
Zobrazí sa čas začatia pre komfortnú prevádzku.
- ▶ Nastavte požadovaný čas začatia tlačidlami „+“ a „-“.
- ▶ Stlačte tlačidlo „OK“.
Zobrazí sa čas ukončenia pre komfortnú prevádzku.
- ▶ Nastavte požadovaný čas ukončenia tlačidlami „+“ a „-“.

- ▶ Stlačte tlačidlo „OK“.

Komfortná fáza „3-01“ je nakonfigurovaná.

- ▶ Ak chcete nakonfigurovať ďalšiu komfortnú fázu, v časovom programe Pro3 vyberte tlačidlami „+“ a „-“ indikáciu „3- - -“. Postupujte podľa popisu.



Upozornenie

Ak chcete resetovať nastavené komfortné fázy, aktivujte parameter P4.

- ▶ Majte na pamäti, že aktiváciou parametra P4 sa všetky časové programy (Pro1, Pro2, Pro3) resetujú na stav pri vyskladnení.

5.3.3 Parameter

Vyvolať môžete nasledujúce parametre:

Indikácia	Popis	Možnosti
P1	Odchýlka teploty v miestnosti	± 3 °C ± 5 °F
P2	Formát času	12 h 24 h
P3	Jednotka zobrazenia teploty	°C °F
P4	Vynulovať časové programy (prevádzka časovača).	on off
P5	Vynulovať relatívnu dobu ohrevu	on off

Ak chcete zmeniť hodnotu parametra, tlačidlami „+“ a „-“ vyvolajte príslušný parameter. Stlačte tlačidlo „OK“.

Hneď ako sa objaví symbol „Upravitelné parametre“, môžete tlačidlami „+“ a „-“ zmeniť hodnotu parametra. Ak chcete uložiť nastavenú hodnotu, stlačte tlačidlo „OK“.

P1: Odchýlka teploty v miestnosti

Nerovnomerné rozdelenie teploty v miestnosti môže viesť k rozdielu medzi zobrazenou skutočnou teplotou I1 a vami nameranou teplotou v miestnosti. Na vyrovnanie rozdielu môžete prostredníctvom parametra P1 nastaviť odchýlku teploty v miestnosti ± 3 °C.

Príklad: Prístroj ukazuje I1 = 21,0 °C. Vami nameraná teplota v miestnosti je 20,0 °C. Rozdiel predstavuje 1,0 °C.

- ▶ Na vyrovnanie rozdielu nastavte odchýlku P1 = -1,0.

P2: Formát času

Prostredníctvom parametra P2 môžete určiť, či sa čas zobrazí v 12-hodinovom alebo 24-hodinovom formáte.

P3: Jednotka zobrazenia teploty

Prostredníctvom parametra P3 môžete určiť, či sa teplota v miestnosti zobrazí v stupňoch Celzia [°C] alebo Fahrenheita [°F].

P4: Vynulovanie časových programov

Aktiváciou parametra P4 nastavíte časové programy späť na stav pri vyskladnení.

P5: Vynulovať relatívnu dobu ohrevu

Aktiváciou parametra P5 vynulujete počítadlo pre relatívnu dobu ohrevu (I2).

6. Čistenie, ošetrovanie a údržba

Prístroj neobsahuje žiadne konštrukčné diely, ktorých údržbu má vykonávať používateľ.



Materiálne škody

- Do vetracích štrbín nestriekajte žiadny čistiaci sprej.
- Dbajte na to, aby do prístroja nevnikla vlhkosť.

- Ak by sa na kryte prístroja objavili mierne zhnednutia, tieto utrite vlhkou handrou.
- Prístroj čistíte vo vychladnutom stave bežnými ošetrovacími prostriedkami. Vyhňte sa ošetrovacím prostriedkom s obsahom abrazívnych látok a leptavým ošetrovacím prostriedkom.



Upozornenie

Pri pravidelnej údržbe odporúčame nechať skontrolovať aj kontrolné a regulačné zariadenia.

- Bezpečnostné, kontrolné a regulačné zariadenia nechajte montážnikom skontrolovať najneskôr 10 rokov po prvom uvedení do prevádzky.

7. Odstraňovanie problémov

Problém	Príčina	Odstránenie
Miestnosť nie je dostatočne vyhriata. Prístroj nie je horúci.	Tepota na prístroji je nastavená príliš nízko. Chýbajúci zdroj napätia.	Skontrolujte nastavenú teplotu v miestnosti. Prípadne ju doregulujte. Skontrolujte polohu sieťového vypínača, ochranného ističa a poistky v domovej inštalácii.
Miestnosť nie je dostatočne vyhriata, hoci je prístroj horúci.	Prehriatie. Tepelná bezpečnostná poistka obmedzí vykurovací výkon. Tepelná potreba miestnosti je vyššia ako výkon prístroja.	Odstráňte príčinu (nečistoty alebo prekážky na vstupe alebo výstupe vzduchu). Dodržte minimálne vzdialenosti! Odstráňte tepelné straty (Zatvorte okná a dvere. Minimalizujte dlhodobé vetranie.)
Miestnosť je príliš vyhriata.	Tepota na prístroji je nastavená príliš vysoko. Rozpoznaná teplota v miestnosti sa odchyľuje od skutočnej teploty v miestnosti.	Skontrolujte nastavenú teplotu v miestnosti. Prípadne ju doregulujte. Minimalizujte prekážky pre výmenu vzduchu medzi prístrojom a vzduchom v miestnosti.
Rozpoznávanie otvorených okien nereaguje.	Prístroj nerozpoznáva výrazný pokles teploty spôsobený vetraním. (Predpokladom pre rozpoznanie otvorených okien je predtým stabilná teplota v miestnosti.)	Po vykonaní nastavení na prístroji chvíľu počkajte, kým sa teplota v miestnosti úplne stabilizuje. Minimalizujte prekážky pre výmenu vzduchu medzi prístrojom a vzduchom v miestnosti. Na dobu vetrania manuálne prepnite prístroj do pohotovostného režimu.
Funkcia „Adaptívne spustenie“ nepracuje podľa požiadaviek.	Funkcia sa prejavuje iba v režime časovača.	Zapnite rozpoznanie otvorených okien v základnom menu. Použite režim časovača na optimalizovaný komfort vykurovania.

Problém	Príčina	Odstránenie
	Tepota v miestnosti silno kolíše, resp. proces učenia prístroja nie je dokončený.	Počkajte niekoľko dní, kým sa správanie stabilizuje.
	Funkcia „Adaptívne spustenie“ nie je aktivovaná.	Zapnite funkciu „Adaptívne spustenie“ v základnom menu.
Prístroj je v programe „FP“, ale nereaguje na externý vstup.	Keď prístroj nerozpozná signál na externom vstupe, vykuruje v komfortnom režime.	Skontrolujte externý riadiaci prístroj a jeho nastavenia. Kabeláž musí byť správne polarizovaná.
Displej ukazuje „Err“ alebo „E...“.	Rozpoznala sa vnútorná chyba.	Informujte montážnika.

Ak nemôžete príčinu odstrániť, zavolajte montážnika. Kvôli lepšej a rýchlejšej pomoci mu uveďte číslo z typového štítku (00000-0000-000000).

INŠTALÁCIA

8. Bezpečnosť

Inštaláciu, uvedenie do prevádzky ako aj údržbu a opravu zariadenia smie vykonávať iba odborný montážnik.

8.1 Všeobecné bezpečnostné pokyny

Bezchybnú funkciu a prevádzkovú bezpečnosť zaručujeme len vtedy, ak sa používa originálne príslušenstvo a originálne náhradné diely, ktoré sú pre prístroj určené.



POZOR Popálenie

- Prístroj montujte iba na kolmú stenu odolnú proti teplote minimálne 85 °C.
- Dodržiavajte minimálne vzdialenosti k susediacim povrchom predmetov.



Materiálne škody

- Nemontujte prístroj bezprostredne pod stenovú zásuvku.
- Dbajte na to, aby sa pripojovací kábel nedotýkal častí prístroja.

8.2 Predpisy, normy a ustanovenia



Upozornenie

Dbajte na všetky vnútroštátne a regionálne predpisy a ustanovenia.

9. Popis zariadenia

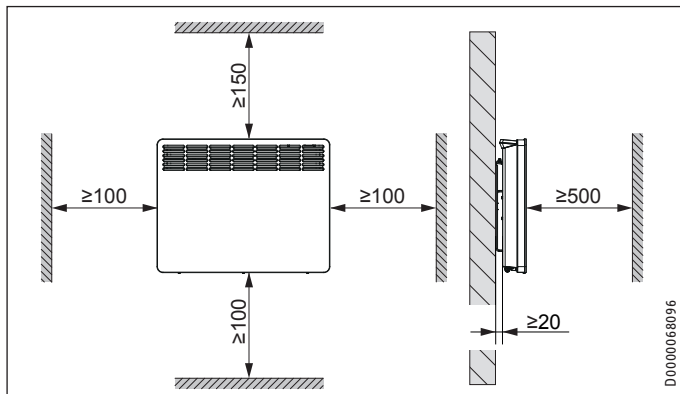
9.1 Rozsah dodávky

So zariadením sa dodáva:

- Nástenný držiak (zavesený na prístroji)

10. Montáž

10.1 Minimálne vzdialenosti



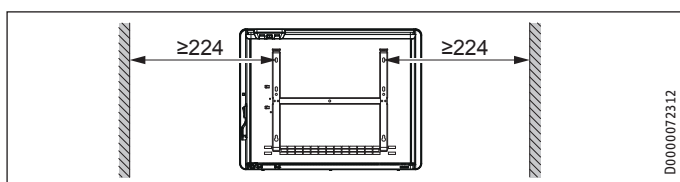
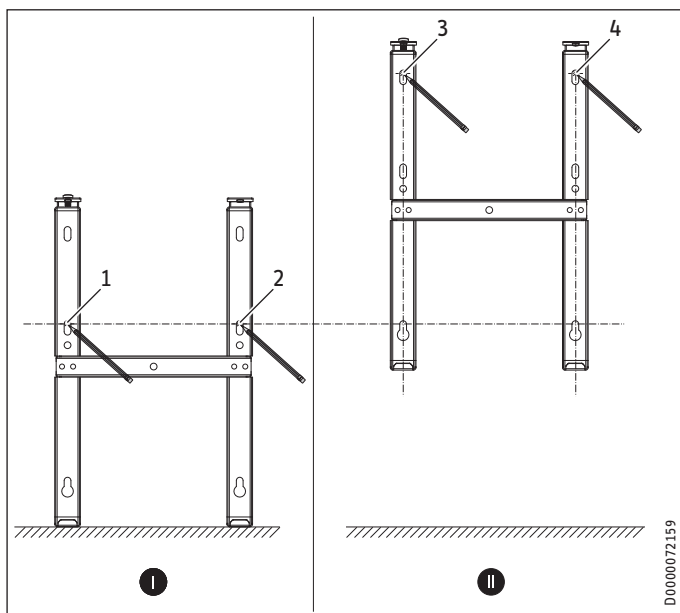
10.2 Montáž nástenného držiaka

Prístroj je určený na montáž na stenu pomocou dodaného nástenného držiaka. Prístroj sa smie montovať iba vodorovne.



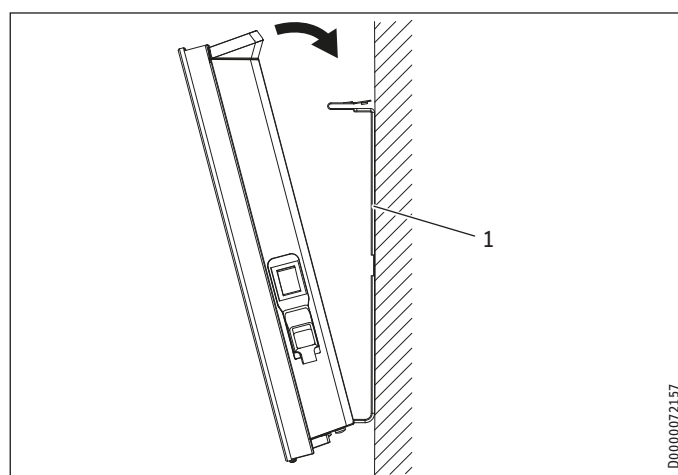
Upozornenie

- Nástenný držiak na upevnenie na stenu môžete používať ako šablónu. To zaručuje nevyhnutnú vzdialenosť od podlahy.
- Ak je podlaha krivá alebo naklonená, použite vodorovňu.



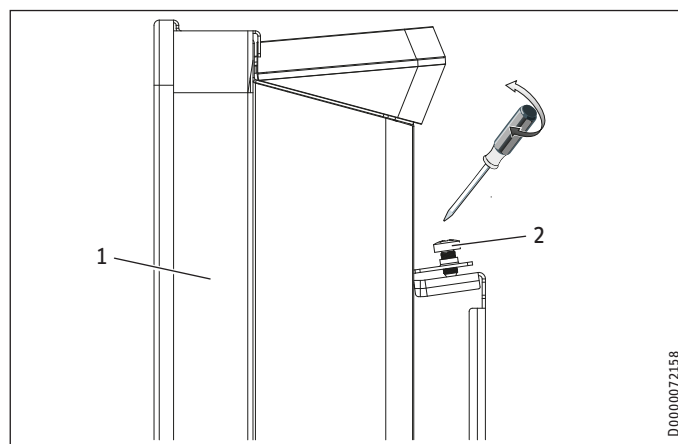
- Vyveste nástenný držiak z prístroja.
- Položte ťažiskovo orientovaný nástenný držiak vodorovne na podlahu. Vyznačte otvory 1 a 2.
- Zdvihnite nástenný držiak tak, aby boli spodné otvory v nástennom držiaku zhodné s rovno umiestnenými značkami na montážnej stene.
- Vyznačte otvory 3 a 4 na montážnej stene.
- Vyvrtajte vývrty na 4 značkách.
- Upevnite nástenný držiak pomocou vhodného upevňovacieho materiálu (skrutky, príchytky). Vertikálnymi pozdĺžnymi otvormi môžete vyrovať priebeh upevňovacieho otvoru.

10.3 Montáž zariadenia



1 Nástenný držiak

- Zaveste prístroj s úchytnými drážkami na zadnej stene prístroja na spodné lamely nástenného držiaka.
- Uvedte prístroj do vzpriamenej polohy.
- Zaaretujte prístroj jeho zatlačením do upevňovacej steny, kým prístroj počuteľne nezapadne do oboch horných pružín nástenného držiaka.



1 Zariadenie

2 Poistná skrutka

- Pomocou dodanej poistnej skrutky na ľavej strane nástenného držiaka zaistíte prístroj proti neúmyselnému zveseniu.

10.4 Demontáž prístroja

- ▶ Uvoľnite a odnímate poistnú skrutku z nástenného držiaka.
- ▶ Uvoľnite prístroj tým, že nadol stlačíte pružiny umiestnené hore na nástennom držiaku.
- ▶ Naklopte prístroj dopredu a zdvihnite ho zo spodných lamiel nástenného držiaka.

10.5 Elektrické pripojenie



VÝSTRAHA Zásah elektrickým prúdom

- Všetky práce na elektrickom pripojení a elektrické inštalačné práce vykonávajte podľa predpisov.
- Pri trvalej prípojke sa prístroj musí dať odpojiť od elektrickej siete všetkými pólmi s minimálnou odpojovacou vzdialenosťou 3 mm.
- Inštalácia pomocou pevne položených elektrických napájacích káblov je nepripustná.



Upozornenie

- Dbajte na typový štítok. Uvedené napätie sa musí zhodovať so sieťovým napätím.
- Dbajte na dostatočný prierez prívodného vedenia zo strany zákazníka.

10.5.1 Typový rad CWM P

Prístroj sa dodáva pripravený na zapojenie. Sú prípustné nasledujúce možnosti pripojenia elektrickej prípojky:

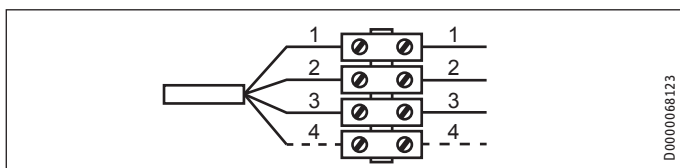
	CWM 500-3000 P
Prípojka k voľne prístupnej zásuvke s ochranným kontaktom so zodpovedajúcou zástrčkou	X
Trvalá prípojka k prípojnej zásuvke prístroja s ochranným vodičom	X

- Pri pripojení do zásuvky dbajte na to, aby bola zásuvka po inštalácii prístroja voľne prístupná.
- Pri trvalom pripojení prístroja skráťte sieťový pripojovací kábel tak, aby viedol priamo k prípojnej zásuvke prístroja. Pri skracovaní sieťového pripojovacieho kábla dbajte na to, aby sa dal prístroj bez problémov zvesiť z montážnej steny.

10.5.2 Typový rad CWM U

Prístroj sa dodáva so sieťovým pripojovacím káblom bez zástrčky.

- ▶ Pri trvalej prípojke pripojte 4-žilový kábel k prípojnej zásuvke prístroja tak, ako je to zobrazené:



- 1 nulový vodič = modrý
- 2 fáza = hnedý
- 3 ochranný vodič = zelený/žltý
- 4 riadiace vedenie = čierny

Na pripojenie prístroja máte k dispozícii 3 možnosti:

- Pripojenie prístroja bez riadiaceho vedenia

Neriadený prístroj. Riadiace vedenie nie je pripojené. V tomto prípade izolujte riadiace vedenie.

- Zníženie teploty cez riadiace vedenie

Pre zníženie na nastavenú znížovaciu teplotu sa čierne riadiace vedenie ovláda externým elektronickým kontaktom (napr. spínacie hodiny).

- Pripojenie riadiaceho vedenia k externému riadiacemu prístroju

Prístroj môžete pripojiť ku každému riadiacemu prístroju, ktorý vydáva nasledujúce formy signálu ako riadiaci signál.

Príkaz	Osciloskop	Prevádzkový režim	Vykurovacia teplota
Žiadny prúd		Komfortný režim	Podľa nastavenej komfortnej teploty
Celá vlna 230 V		Útlmový režim	Podľa nastavenej znížovacej teploty
Polovlna záporná -115 V		Protimrazová ochrana	Teplota ochrany pred mrazom
Polovlna kladná +115 V		Zastavenie	Žiadne
Celá vlna 230 V na 3 sekundy		Komfortný režim -1 °C	1 °C menej ako nastavená komfortná teplota
Celá vlna 230 V na 7 sekúnd		Komfortný režim -2 °C	2 °C menej ako nastavená komfortná teplota

11. Uvedenie do prevádzky

Prístroj je pripravený na prevádzku hneď, ako ho upevníte na montážnu stenu a zapojíte do elektrickej siete.

- ▶ Odstráňte ochrannú fóliu z obslužnej jednotky.

12. Odstraňovanie porúch

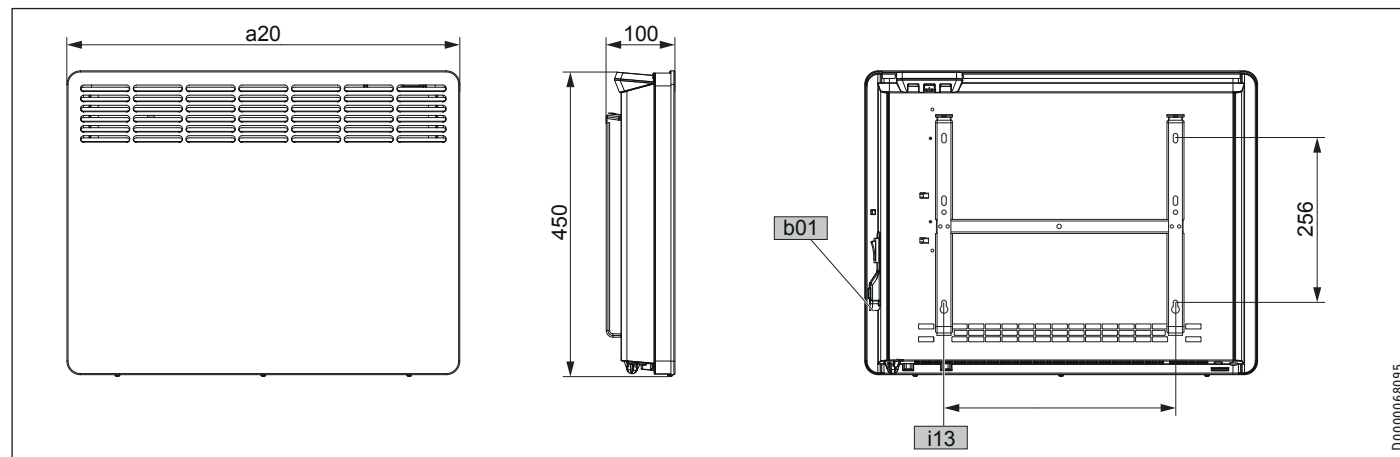
Pri poškodení alebo výmene môže sieťový pripojovací kábel nahradiť originálnym náhradným dielom iba odborný inštalatér oprávnený výrobcom.

13. Odovzdanie zariadenia

Vysvetlite používateľovi funkcie prístroja. Upozornite ho najmä na bezpečnostné pokyny. Odovzdajte používateľovi návod na obsluhu a inštaláciu.

14. Technické údaje

14.1 Rozmery a prípojky



			CWM 500 P/U	CWM 750 P/U	CWM 1000 P/U	CWM 1500 P/U	CWM 2000 P/U	CWM 2500 P/U	CWM 3000 P/U	
a20	Zariadenie	Šírka	mm	348	426	426	582	738	894	1050
i13	Zavesenie na stenu	Vzdialenosť otvorov horizontálne	mm	101	179	179	335	491	647	803
b01	Priechodka elektr. vedenia									

14.2 Údaje k spotrebe energie

Údaje výrobku zodpovedajú nariadeniam EÚ vychádzajúcim zo smernice stanovujúcej požiadavky na ekodizajn energeticky významných výrobkov (ErP).

		CWM 500 P/U	CWM 750 P/U	CWM 1000 P/U	CWM 1500 P/U	CWM 2000 P/U	CWM 2500 P/U	CWM 3000 P/U
CWM P		200254	200255	200256	200257	200258	200259	200260
CWM U		200261	200262	200263	200264	200265	200266	200267
Výrobca		STIEBEL ELTRON	STIEBEL ELTRON	STIEBEL ELTRON	STIEBEL ELTRON	STIEBEL ELTRON	STIEBEL ELTRON	STIEBEL ELTRON
Vykurovací výkon								
Menovitý tepelný výkon P_{nom}	kW	0,5	0,8	1,0	1,5	2,0	2,5	3,0
Minimálny tepelný výkon (orientačná hodnota) P_{min}	kW	0,0	0,0	0,0	0,0	0,0	0,0	0,0
Maximálny nepretržitý tepelný výkon $P_{max,c}$	kW	0,5	0,8	1,0	1,5	2,0	2,5	3,0
Spotreba pomocného prúdu								
Pri menovitom tepelnom výkone $e_{l,max}$	kW	0,000	0,000	0,000	0,000	0,000	0,000	0,000
Pri minimálnom tepelnom výkone $e_{l,min}$	kW	0,000	0,000	0,000	0,000	0,000	0,000	0,000
V pohotovostnom stave $e_{l,sg}$	kW	0,000	0,000	0,000	0,000	0,000	0,000	0,000
Druh tepelného výkonu/kontroly teploty v miestnosti								
Jednostupňový tepelný výkon, žiadna kontrola teploty v miestnosti		-	-	-	-	-	-	-
Dva alebo viac manuálne nastaviteľných stupňov, žiadna kontrola teploty v miestnosti		-	-	-	-	-	-	-
Kontrola teploty v miestnosti s mechanickým termostatom		-	-	-	-	-	-	-
S elektronickou kontrolou teploty v miestnosti		-	-	-	-	-	-	-
Elektronická kontrola teploty v miestnosti a regulácia denného času		-	-	-	-	-	-	-
Elektronická kontrola teploty v miestnosti a regulácia dňa v týždni		x	x	x	x	x	x	x
Ostatné možnosti regulácie								
Kontrola teploty v miestnosti s rozpoznávaním prítomnosti		-	-	-	-	-	-	-
Kontrola teploty v miestnosti s rozpoznávaním otvorených okien		x	x	x	x	x	x	x
S možnosťou diaľkového ovládania		-	-	-	-	-	-	-
S adaptívnou reguláciou začiatku vykurovania		x	x	x	x	x	x	x
S obmedzením prevádzkovej doby		-	-	-	-	-	-	-
So snímačom čiernej žiarovky		-	-	-	-	-	-	-

14.3 Tabuľka s údajmi

		CWM 500 P/U	CWM 750 P/U	CWM 1000 P/U	CWM 1500 P/U	CWM 2000 P/U	CWM 2500 P/U	CWM 3000 P/U
CWM P		200254	200255	200256	200257	200258	200259	200260
CWM U		200261	200262	200263	200264	200265	200266	200267
Elektrické údaje								
Príkion	W	500	750	1000	1500	2000	2500	3000
Sieťové pripojenie		1/N/PE ~ 230 V	1/N/PE ~ 230 V	1/N/PE ~ 230 V	1/N/PE ~ 230 V	1/N/PE ~ 230 V	1/N/PE ~ 230 V	1/N/PE ~ 230 V
Menovitý prúd	A	2,2	3,3	4,3	6,5	8,7	10,9	13,0
Frekvencia	Hz	50/-	50/-	50/-	50/-	50/-	50/-	50/-
Rozmery								
Výška	mm	450	450	450	450	450	450	450
Šírka	mm	348	426	426	582	738	894	1050
Hĺbka	mm	100	100	100	100	100	100	100
Hmotnosti								
Hmotnosť	kg	4,0	4,6	4,6	6,0	7,7	9,2	10,9
Vyhotovenia								
Ochrana proti zamrznutiu	°C	7	7	7	7	7	7	7
Vyhotovenie		Nástenný prístroj	Nástenný prístroj	Nástenný prístroj	Nástenný prístroj	Nástenný prístroj	Nástenný prístroj	Nástenný prístroj
Druh krytia (IP)		IP24	IP24	IP24	IP24	IP24	IP24	IP24
Trieda ochrany		I	I	I	I	I	I	I
Farba		Alpská biela	Alpská biela	Alpská biela	Alpská biela	Alpská biela	Alpská biela	Alpská biela
Hodnoty								
Nastaviteľný rozsah	°C	5-30	5-30	5-30	5-30	5-30	5-30	5-30

Záruka

Pre zariadenia nadobudnuté mimo Nemecka neplatia záručné podmienky našich nemeckých spoločností. V krajinách, v ktorých existuje jedna z našich dcérskych spoločností predávajúcej naše výrobky, sa skôr poskytuje záruka iba od tejto dcérskej spoločnosti. Takáto záruka je poskytnutá iba vtedy, keď dcérska spoločnosť vydala vlastné záručné podmienky. Nad rámec uvedeného sa záruka neposkytuje.

Na zariadenia, ktoré boli nadobudnuté v krajinách, v ktorých naše výrobky nepredáva žiadna z našich dcérskych spoločností, záruku neposkytujeme. Prípadné záruky prisľúbené dovozcom zostávajú týmto nedotknuté.

Životné prostredie a recyklácia

Pomôžte chrániť naše životné prostredie. Balenie prístroja je nutné zlikvidovať v súlade s vnútroštátnymi predpismi a ustanoveniami o likvidácii odpadov.

WSKAZÓWKI SPECJALNE

OBSŁUGA

1. Wskazówki ogólne	60
1.1 Wskazówki dotyczące bezpieczeństwa	60
1.2 Inne oznaczenia stosowane w niniejszej dokumentacji	60
1.3 Wskazówki na urządzeniu	60
1.4 Jednostki miar	60
2. Bezpieczeństwo	60
2.1 Użytkowanie zgodne z przeznaczeniem	60
2.2 Ogólne wskazówki dotyczące bezpieczeństwa	61
2.3 Znak kontroli	61
3. Opis urządzenia	61
4. Obsługa	62
4.1 Panel obsługowy	62
4.2 Włączenie i wyłączenie urządzenia	63
4.3 Tryb Standby	63
5. Nastawy	63
5.1 Wskazanie standardowe	63
5.2 Menu podstawowe	63
5.3 Menu konfiguracyjne	63
6. Czyszczenie i konserwacja	65
7. Usuwanie problemów	65

INSTALACJA

8. Bezpieczeństwo	66
8.1 Ogólne wskazówki dotyczące bezpieczeństwa	66
8.2 Przepisy, normy i wymogi	66
9. Opis urządzenia	66
9.1 Zakres dostawy	66
10. Montaż	66
10.1 Minimalne odległości	66
10.2 Montaż uchwytu ściennego	66
10.3 Montaż urządzenia	67
10.4 Demontaż urządzenia	67
10.5 Podłączenie elektryczne	67
11. Uruchomienie	68
12. Usuwanie usterek	68
13. Przekazanie urządzenia	68
14. Dane techniczne	69
14.1 Wymiary i przyłącza	69
14.2 Dane dotyczące zużycia energii	69
14.3 Tabela danych	70

GWARANCJA

OCHRONA ŚRODOWISKA I RECYCLING

WSKAZÓWKI SPECJALNE

- Nie zezwalać dzieciom poniżej 3. roku życia na zbliżanie się do urządzenia, jeśli nie jest możliwy stały nadzór.
- Urządzenie może być włączane i wyłączane przez dzieci w wieku od 3 do 7 lat, jeśli odbywa się to pod nadzorem, lub dzieci zostały poinstruowane o zasadach bezpiecznego korzystania z urządzenia i zrozumiały zagrożenia wynikające z jego użytkowania. Warunkiem jest zamontowanie urządzenia zgodnie z opisem. Dzieciom w wieku od lat 3 do 7 nie wolno wyjmować wtyczki z gniazdka sieciowego, ani dokonywać regulacji urządzenia.
- Dzieci w wieku powyżej 8 lat, osoby o obniżonej sprawności ruchowej, sensorycznej lub umysłowej, lub też osoby bez doświadczenia i odpowiedniej wiedzy mogą obsługiwać urządzenie pod nadzorem lub samodzielnie o ile zostały poinstruowane o zasadach bezpiecznego użytkowania urządzenia i rozumieją ewentualne zagrożenia.
- Urządzenie nie może być używane przez dzieci do zabawy. Czyszczenie oraz konserwacja wykonywana przez użytkownika są czynnościami, których dzieciom nie wolno wykonywać bez nadzoru.
- Elementy urządzenia mogą się mocno nagrzewać i powodować poparzenia. W obecności dzieci lub osób wymagających opieki należy zachować szczególną ostrożność.
- Nie przykrywać urządzenia, aby nie doprowadzić do jego przegrzania.
- Nie montować urządzenia bezpośrednio pod ściennym gniazdkiem elektrycznym.
- W przypadku podłączenia na stałe należy zapewnić możliwość odłączania wszystkich biegunów urządzenia od przyłącza sieciowego za pomocą wyłącznika wielobiegunowego z rozwarciem styków wynoszącym co najmniej 3 mm.

- Czynności związane z wymianą sieciowego przewodu przyłączeniowego, np. w razie uszkodzenia, mogą być wykonywane wyłącznie przez wyspecjalizowanego instalatora posiadającego uprawnienia wydane przez producenta, przy użyciu oryginalnej części zamiennej.
- Zamocować urządzenie w sposób opisany w rozdziale „Instalacja / Montaż”.

OBSŁUGA

1. Wskazówki ogólne

Rozdziały „Wskazówki specjalne” i „Obsługa” są przeznaczone dla użytkowników urządzenia i wyspecjalizowanych instalatorów.

Rozdział „Instalacja” przeznaczony jest dla wyspecjalizowanego instalatora.



Wskazówka

Przed przystąpieniem do użytkowania należy dokładnie zapoznać się z niniejszą instrukcją i zachować ją do późniejszego wykorzystania.

W przypadku przekazania produktu innemu użytkownikowi należy załączyć niniejszą instrukcję.

1.1 Wskazówki dotyczące bezpieczeństwa

1.1.1 Struktura wskazówek dotyczących bezpieczeństwa



HASŁO OSTRZEGAWCZE – rodzaj zagrożenia
W tym miejscu określone są potencjalne skutki nieprze-
strzegania wskazówki dotyczącej bezpieczeństwa.
► W tym miejscu są określone środki zapobiegające
zagrożeniu.

1.1.2 Symbole i rodzaje zagrożenia

Symbol	Rodzaj zagrożenia
	Obrażenia ciała
	Porażenie prądem elektrycznym
	Poparzenie (Poparzenie)

1.1.3 Hasła ostrzegawcze

HASŁO OSTRZE- GAWCZE	Znaczenie
ZAGROŻENIE	Wskazówki, których nieprze- strzeżenie prowadzi do cięż- kich obrażeń ciała lub śmierci.
OSTRZEŻENIE	Wskazówki, których nieprze- strzeżenie może prowadzić do ciężkich obrażeń ciała lub śmierci.
OSTROŻNIE	Wskazówki, których nieprze- strzeżenie może prowadzić do średnich lub lekkich obrażeń ciała.

1.2 Inne oznaczenia stosowane w niniejszej dokumentacji



Wskazówka

Wskazówki ogólne są oznaczone symbolem umieszczo-
nym obok.

► Należy dokładnie zapoznać się z treścią wskazówek.

Symbol	Znaczenie
	Szkody materialne (uszkodzenia urządzenia, szkody wtórne, szkody dla środo- wiska naturalnego)
	Utylizacja urządzenia

► Ten symbol informuje o konieczności wykonania jakiejś czyn-
ności. Wymagane czynności opisane są krok po kroku.

1.3 Wskazówki na urządzeniu

Symbol	Znaczenie
	Nie zakrywać urządzenia

1.4 Jednostki miar



Wskazówka

Jeśli nie określono innych jednostek, wszystkie wymiary
podane są w milimetrach.

2. Bezpieczeństwo

2.1 Użytkowanie zgodne z przeznaczeniem

Urządzenie służy do ogrzewania pomieszczeń mieszkalnych.

Urządzenie przeznaczone jest do użytku w budownictwie mieszkaniowym. Może być bezpiecznie użytkowane przez nieprzeszkolone osoby. Urządzenie może być użytkowane również poza budownictwem mieszkaniowym, np. w budynkach gospodarczych i przemysłowych, pod warunkiem użytkowania zgodnego z przeznaczeniem.

Inne lub wykraczające poza obowiązujące ustalenia użytkowanie traktowane jest jako niezgodne z przeznaczeniem. Do użytkowania zgodnego z przeznaczeniem należy również przestrzeganie niniejszej instrukcji obsługi oraz instrukcji obsługi użytkownika.

2.2 Ogólne wskazówki dotyczące bezpieczeństwa



OSTRZEŻENIE - obrażenia ciała

- Nie zezwalać dzieciom poniżej 3. roku życia na zbliżanie się do urządzenia, jeśli nie jest możliwy stały nadzór.
- Urządzenie może być włączane i wyłączane przez dzieci w wieku od 3 do 7 lat, jeśli odbywa się to pod nadzorem, lub dzieci zostały poinstruowane o zasadach bezpiecznego korzystania z urządzenia i zrozumiały zagrożenia wynikające z jego użytkowania. Warunkiem jest zamontowanie urządzenia zgodnie z opisem. Dzieciom w wieku od lat 3 do 7 nie wolno wyjmować wtyczki z gniazdka sieciowego, ani dokonywać regulacji urządzenia.
- Dzieci w wieku powyżej 8 lat, osoby o obniżonej sprawności ruchowej, sensorycznej lub umysłowej, lub też osoby bez doświadczenia i odpowiedniej wiedzy mogą obsługiwać urządzenie pod nadzorem lub samodzielnie o ile zostały poinstruowane o zasadach bezpiecznego użytkowania urządzenia i rozumieją ewentualne zagrożenia.
- Urządzenie nie może być używane przez dzieci do zabawy. Czyszczenie oraz konserwacja wykonywana przez użytkownika są czynnościami, których dzieciom nie wolno wykonywać bez nadzoru.



OSTRZEŻENIE - obrażenia ciała

W pomieszczeniach zamkniętych temperatura może szybko wzrastać do wysokiego poziomu. Jeśli urządzenie jest używane w małych pomieszczeniach, a znajdujące się w nim osoby nie mogą samodzielnie regulować urządzenia lub opuścić pomieszczenia, należy zapewnić stały nadzór.



OSTRZEŻENIE poparzenie

Nie korzystać z urządzenia ...

- jeśli nie są zapewnione minimalne odstępstwa od powierzchni sąsiednich obiektów lub innych materiałów palnych.
- w pomieszczeniach, w których zachodzi ryzyko pożaru lub wybuchu wskutek obecności chemikaliów, pyłów, gazów lub oparów. Przed włączeniem ogrzewania przewietrzyc pomieszczenie w wystarczającym stopniu.
- Nie montować w bezpośredniej bliskości rur lub pojemników, przewodzących lub zawierających materiały łatwopalne albo wybuchowe.
- Nie montować jeśli uszkodzony jest jakiś element urządzenia, spadło ono na podłogę lub stwierdzono nieprawidłowość w jego działaniu.



OSTRZEŻENIE poparzenie

- Nie kłaść palnych, łatwopalnych lub termoizolacyjnych przedmiotów ani materiałów na urządzeniu lub w jego bezpośredniej bliskości.
- Zwracać uwagę, aby wlot i wylot powietrza nie był zablokowany.
- Nie umieszczać żadnych przedmiotów między urządzeniem a ścianą.



OSTRZEŻENIE poparzenie

Urządzenie nie jest przeznaczone do eksploatacji jako urządzenie stojące. Urządzenie użytkować wyłącznie na dołączonym uchwycie ściennym (patrz rozdział „Instalacja / Montaż”).



OSTROŻNIE – poparzenie

Elementy urządzenia mogą się mocno nagrzewać i powodować poparzenia. W obecności dzieci lub osób wymagających opieki należy zachować szczególną ostrożność.



OSTRZEŻENIE przegrzanie

Nie przykrywać urządzenia, aby nie doprowadzić do jego przegrzania.



Szkody materialne

- Zwracać uwagę, aby sieciowy przewód przyłączeniowy nie przylegał do urządzenia.
- Nie używać urządzenia jako pomocy do wchodzenia.
- Nie użytkować urządzenia na wolnym powietrzu.

2.3 Znak kontroli

Patrz tabliczka znamionowa na urządzeniu.

3. Opis urządzenia

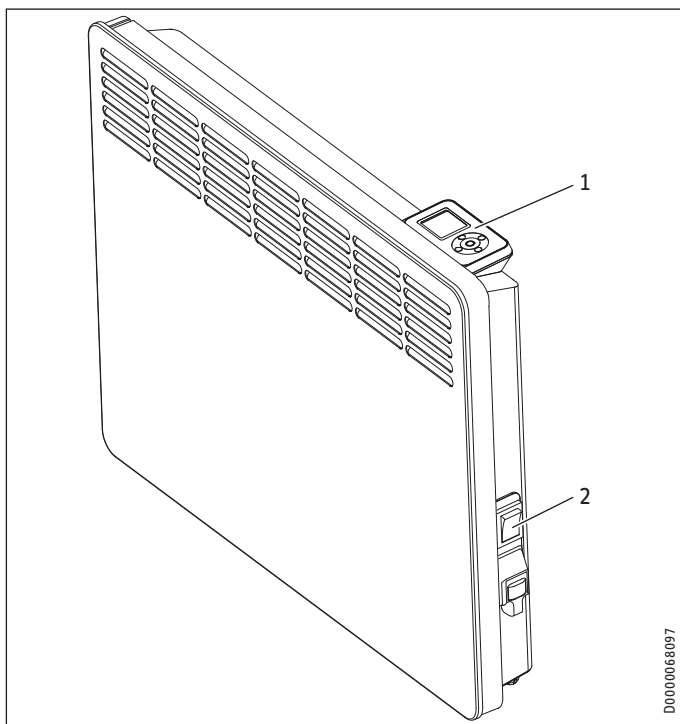
Urządzenie jest wiszącym elektrycznym ogrzewaczem do bezpośredniego ogrzewania pomieszczeń.

Urządzenie może być używane np. jako wyłączne źródło ciepła lub jako przejściowe i uzupełniające źródło ciepła w małych pomieszczeniach.

Powietrze w urządzeniu jest nagrzewane przez grzałkę i wydostaje się na górze przez wylot powietrza, dzięki zjawisku konwekcji naturalnej. Przez wlot powietrza na spodzie urządzenia doptywa chłodne powietrze z pomieszczenia.

Jeśli nastawiona temperatura zadana zostanie osiągnięta, jest ona utrzymywana poprzez okresowe grzanie.

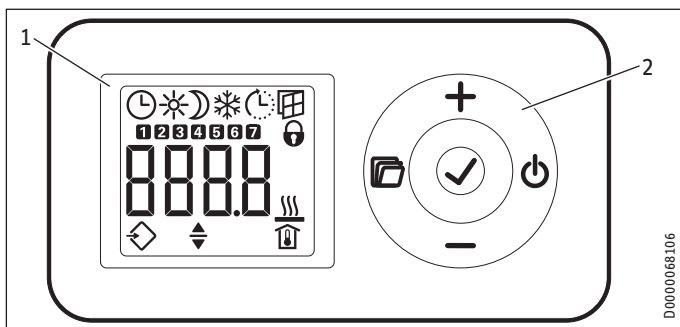
4. Obsługa



- 1 Panel obsługowy
2 Włącznik sieciowy

4.1 Panel obsługowy

Panel obsługowy znajduje się na górze urządzenia z prawej strony.



- 1 Wyświetlacz
2 Panel sterowania

4.1.1 Panel sterowania

Przycisk	Nazwa	Opis
	Przycisk „Standby”	Włączanie panelu obsługowego; przełączanie panelu obsługowego i urządzenia grzewczego na tryb Standby
	Przycisk „OK”	Wybór; zatwierdzanie nastaw
	Przycisk „Menu”	Wyświetlanie i wychodzenie z menu
	Przycisk „+”	Wybór punktów menu; zmiana nastaw
	Przycisk „-”	Wybór punktów menu; zmiana nastaw

4.1.2 Wyświetlacz

Jeśli przez 20 sekund nie nastąpi żadna reakcja ze strony użytkownika, podświetlenie wyświetlacza wyłączy się. Poprzez naciśnięcie dowolnego przycisku podświetlenie wyświetlacza włącza się ponownie.

Symbole

Symbol	Opis
	Wskazanie godziny: Wskazanie aktualnej godziny lub zaprogramowanej godziny rozpoczęcia Tryb programatora czasowego: Urządzenie grzeje zgodnie z aktywowanym programem czasowym.
	Tryb komfortowy: Urządzenie utrzymuje nastawioną temperaturę komfortową. Wartość standardowa: 21,0 °C. Ta nastawa służy do utrzymywania komfortowej temperatury pomieszczenia przy obecności osób.
	Tryb obniżony: Urządzenie utrzymuje nastawioną temperaturę obniżoną. Wartość standardowa: 18,0 °C. Z tej nastawy należy korzystać np. nocą lub przy nieobecności osób przez kilka godzin.
	Ochrona przed zamarzaniem: Przy ustawieniu temperatury zadanej pomieszczenia na 7,0 °C wyświetlany jest symbol ochrony przed zamarzaniem. Z tej nastawy należy korzystać w celu ochrony nieużywanego pomieszczenia przed szkodami spowodowanymi mrozem.
	Start adaptacyjny: W trybie programatora czasowego czasy przełączania urządzenia grzewczego są dopasowywane w taki sposób, że nastawiona temperatura zadana pomieszczenia jest osiągnięta już o zaprogramowanej godzinie rozpoczęcia. Warunek: Funkcja „Start adaptacyjny” jest włączona (patrz rozdział „Nastawy / Menu podstawowe”).
	Wykrywanie otwartego okna Aby uniknąć niepotrzebnego zużycia energii podczas wietrzenia, przy otwartym oknie urządzenie przełącza się automatycznie na godzinę na tryb ochrony przed mrozem. Symbol „Wykrywanie otwartego okna” miga. Tryb ochrony przed mrozem można ręcznie zakończyć po wietrzeniu przyciskiem „+”, „-” lub „OK”. Urządzenie znów grzeje do nastawionej temperatury zadanej pomieszczenia. Warunek: Funkcja „Wykrywanie otwartego okna” jest włączona (patrz rozdział „Nastawy / Menu podstawowe”).
	Blokada obsługi: W celu zablokowania lub odblokowania panelu obsługowego przytrzymać równocześnie przycisk „+” i „-” przez 5 sekund.
	Grzanie aktywne: Urządzenie grzeje w celu utrzymania nastawionej temperatury zadanej pomieszczenia.
	Wskazanie temperatury pomieszczenia
	Parametr do edycji: Wyświetlony parametr można zmieniać przyciskiem „+” i „-”.
	Wejście zewnętrzne (FP): Urządzenia serii CWM U mogą być podłączone do zewnętrznego sterownika. W zależności od nastawy sterownika urządzenie grzeje w określonych porach dnia w trybie komfortowym, obniżonym lub ochrony przed zamarzaniem albo urządzenie w ogóle nie grzeje.
	Dni tygodnia: 1 = poniedziałek, 2 = wtorek ... 7 = niedziela

4.2 Włączenie i wyłączenie urządzenia



Wskazówka

Przy pierwszym uruchomieniu i po dłuższej przerwie w użytkowaniu przez niedługi czas urządzenie może wydzielać specyficzny zapach.

Urządzenie jest gotowe do pracy po zamontowaniu na ścianie i podłączeniu do sieci elektrycznej.

- ▶ Urządzenie włącza i wyłącza się włącznikiem sieciowym z prawej strony urządzenia.
- ▶ W przypadku nieużywania przez dłuższy czas (np. w miesiącach letnich) należy wyłączyć urządzenie.

Wszystkie nastawy pozostają zachowane po wyłączeniu lub przerwaniu zasilania. Rezerwa chodu urządzenia pozwala utrzymać dzień tygodnia i godzinę przez kilka godzin.



Wskazówka

Jeśli wcześniej włączony był tryb programatora czasowego urządzenia i urządzenie było wyłączone przez dłuższy czas, po włączeniu wyświetlone zostanie polecenie wprowadzenia dnia tygodnia i godziny. Do chwili wprowadzenia tej nastawy urządzenie pracuje w trybie komfortowym.

4.3 Tryb Standby



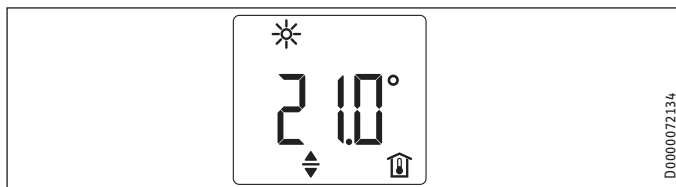
Szkody materialne

W trybie Standby urządzenie nie włącza ogrzewania w żadnych warunkach. Ochrona przed zamarzaniem nie jest wówczas zapewniona.

- ▶ Aby włączyć panel obsługowy, nacisnąć przycisk „Standby”. Wyświetlone zostanie wskazanie standardowe.
- ▶ Aby przełączyć panel obsługowy i urządzenie grzewcze na tryb Standby, nacisnąć przycisk „Standby”. Na ekranie pojawia się wskazanie „----”.

5. Nastawy

5.1 Wskazanie standardowe



Wskazanie standardowe jest wyświetlane na stałe. Jeśli wyświetlone jest menu i przez 20 sekund nie zostanie wykonana żadna czynność obsługowa, urządzenie automatycznie przejdzie do wskazania standardowego.

We wskazaniu standardowym wyświetlana jest aktualna temperatura zadana pomieszczenia oraz symbol „Parametr do edycji”. Przyciskiem „+” i „-” można zmienić temperaturę zadaną pomieszczenia.

Jeśli nastawiona temperatura zadana pomieszczenia odpowiada jednej z nastawionych wartości temperatury komfortowej lub obniżenia, na pasku menu wyświetlany jest symbol odpowiedniego trybu pracy (temperatura komfortowa, tryb obniżony).

Temperaturę zadaną pomieszczenia można zmieniać również ręcznie w trybie programatora czasowego. Zmieniona temperatura zadana pomieszczenia pozostanie zachowana do następnego zaprogramowanego czasu przełączenia.

5.2 Menu podstawowe

Aby przejść do menu podstawowego, nacisnąć krótko przycisk „Menu”. Teraz można wyświetlić następujące punkty menu:

Wyświetlacz	Opis
	Nastawianie dnia tygodnia i godziny
	Nastawianie temperatury komfortowej Nastawiona temperatura komfortowa musi być przynajmniej o 0,5°C wyższa od temperatury obniżonej.
	Nastawianie temperatury obniżonej
	Włączanie i wyłączanie funkcji „Wykrywanie otwartego okna”
	Wybór programu czasowego (Pro1, Pro2, Pro3, off) lub wejścia zewnętrznego (FP)
	Włączanie i wyłączanie funkcji „Start adaptacyjny”

Aby zmienić nastawę punktu menu, wyświetlić odpowiedni punkt menu przyciskiem „+” i „-”. Nacisnąć przycisk „OK”.

Gdy wyświetlony zostanie symbol „Parametr do edycji”, przyciskiem „+” i „-” można zmienić nastawę punktu menu. Aby zapisać nastawy, nacisnąć przycisk „OK”.

Aby wyjść z menu podstawowego, nacisnąć przycisk „Menu”. Wyświetlone zostanie wskazanie standardowe.

5.3 Menu konfiguracyjne

Wyświetlacz	Opis
I1-I2	Wartości rzeczywiste
Pro1-Pro3	Programy czasowe
P1-P5	Parametry

W menu konfiguracyjnym można wyświetlać wartości rzeczywiste, programować programy czasowe dla trybu programatora czasowego i nastawiać parametry.

Aby przejść do menu konfiguracyjnego, przytrzymać przycisk „Menu”. Po ok. 3 sekundach wyświetlana jest wartość rzeczywista I1.

Przyciskiem „+” i „-” można przechodzić między poszczególnymi wartościami rzeczywistymi, programami czasowymi i parametrami.

Aby wyjść z menu konfiguracyjnego, nacisnąć przycisk „Menu”. Wyświetlone zostanie wskazanie standardowe.

5.3.1 Wartości rzeczywiste

Można wyświetlić następujące wartości rzeczywiste:

Wyświetlacz	Opis	Jednostka
I1	Rzeczywista temperatura pomieszczenia	[°C] [°F]
I2	Względny czas grzania (Za pomocą parametru P5 można wyzerować licznik.)	[h]



Wskazówka

Licznik względnego czasu grzania (I2) zlicza czas, w którym urządzenie grzeje, w pełnych godzinach. Gdy urządzenie zostanie wyłączone, fazy grzania poniżej 60 minut nie są uwzględniane.

5.3.2 Programy czasowe

W celu korzystania z urządzenia w trybie programatora czasowego dostępne są trzy programy czasowe. Programy czasowe Pro1 i Pro2 są fabrycznie skonfigurowane. Program czasowy Pro3 można nastawić zgodnie z indywidualnymi potrzebami.

Wyświetlacz	Opis
Pro1	Program czasowy „codziennie” - powtarzanie: od poniedziałku do niedzieli
Pro2	Program czasowy „dni robocze” - powtarzanie: od poniedziałku do piątku
Pro3	Program czasowy „zdefiniowany przez użytkownika” - do 14 faz komfortowych z możliwością dowolnej konfiguracji



Wskazówka

Chcąc korzystać z trybu programatora czasowego, w menu podstawowym należy wybrać żądany program czasowy (patrz rozdział „Ustawienia / Menu podstawowe”).



Wskazówka

Przy nastawianiu programów czasowych należy zwrócić uwagę, aby dzień tygodnia i godzina były prawidłowo nastawione.



Wskazówka

Zasada obowiązująca dla wszystkich programów czasowych (Pro1, Pro2, Pro3):
Jeśli godzina zakończenia przekracza godzinę 23:59, godzina zakończenia zostanie automatycznie przesunięta na następny dzień tygodnia. Faza komfortowa jest utrzymywana przez północ i kończy się następnego dnia o ustawionej godzinie zakończenia.

Program czasowy Pro1 i Pro2

Program czasowy Pro1 i Pro2 pozwala na określenie godziny rozpoczęcia i zakończenia trybu komfortowego. W tym przedziale czasu urządzenie grzeje do nastawionej temperatury komfortowej. Poza tym okresem czasu urządzenie pracuje w trybie obniżonym. Z takiego układu wynika faza komfortowa i obniżona, która powtarza się codziennie (Pro1) bądź każdego dnia roboczego (Pro2).

Te fazy skonfigurowane są fabrycznie w następujący sposób:

- godz. 08:00 – godz. 22:00: Tryb komfortowy
- godz. 22:00 – godz. 08:00: Tryb obniżony



Wskazówka

Przy aktywowanym programie czasowym Pro2 urządzenie pracuje w weekend wyłącznie w trybie obniżonym.

Aby dopasować programy czasowe Pro1 i Pro2 do własnych potrzeb, należy postępować następująco:

- ▶ W menu konfiguracyjnym wybrać przyciskiem „+” i „-” żądany program czasowy.
- ▶ Nacisnąć przycisk „OK”. Wyświetlona zostanie godzina rozpoczęcia trybu komfortowego.
- ▶ Nastawić żądaną godzinę rozpoczęcia przyciskiem „+” i „-”.
- ▶ Nacisnąć przycisk „OK”. Wyświetlona zostanie godzina zakończenia trybu komfortowego.
- ▶ Nastawić żądaną godzinę zakończenia przyciskiem „+” i „-”.
- ▶ W celu zapisania nacisnąć przycisk „OK”.

Program czasowy Pro3

Z pomocą programu czasowego Pro3 można określić do 14 oddzielnych faz komfortowych, które powtarzają się co tydzień.

Aby skonfigurować fazę komfortową w programie czasowym Pro3, postępować następująco:

- ▶ W menu konfiguracyjnym wybrać przyciskiem „+” i „-” żądany program czasowy Pro3.
- ▶ Nacisnąć przycisk „OK”. Na ekranie widoczne jest wskazanie „3---”.
- ▶ Nacisnąć przycisk „OK”. Wyświetlony zostanie dzień tygodnia bądź grupa dni tygodnia.
- ▶ Nastawić przyciskiem „+” i „-” żądany dzień tygodnia bądź żądaną grupę dni tygodnia.
- ▶ Nacisnąć przycisk „OK”. Wyświetlona zostanie godzina rozpoczęcia trybu komfortowego.
- ▶ Nastawić żądaną godzinę rozpoczęcia przyciskiem „+” i „-”.
- ▶ Nacisnąć przycisk „OK”. Wyświetlona zostanie godzina zakończenia trybu komfortowego.
- ▶ Nastawić żądaną godzinę zakończenia przyciskiem „+” i „-”.
- ▶ Nacisnąć przycisk „OK”. Faza komfortowa „3-01” jest skonfigurowana.
- ▶ Aby skonfigurować kolejną fazę komfortową, wybrać w programie czasowym Pro3 wskazanie „3---” przyciskiem „+” i „-”. Postępować zgodnie z opisem.

**Wskazówka**

Zaprogramowane fazy komfortowe można zresetować, uaktywniając parametr P4.

- Uaktywnienie parametru P4 skutkuje przywróceniem nastawy fabrycznej wszystkich programów czasowych (Pro1, Pro2, Pro3).

5.3.3 Parametry

Można wyświetlić następujące parametry:

Wyświetlacz	Opis	Opcje
P1	Margines temperatury pomieszczenia	± 3 °C ± 5 °F
P2	Format godziny	12 h 24 h
P3	Jednostka wskazania temperatury	°C °F
P4	Reset programów czasowych (tryb programatora czasowego)	on off
P5	Reset względnego czasu grzania	on off

Aby zmienić wartość parametru, wybrać odpowiedni parametr przyciskiem „+” i „-”. Nacisnąć przycisk „OK”.

Gdy wyświetlony zostanie symbol „Parametr do edycji”, przyciskiem „+” i „-” można zmienić wartość parametru. Aby zapisać nastawioną wartość, nacisnąć przycisk „OK”.

P1: Margines temperatury pomieszczenia

Nierównomierny rozkład temperatury w pomieszczeniu może prowadzić do różnicy między wyświetlaną temperaturą rzeczywistą I1 a temperaturą pomieszczenia zmierzoną przez użytkownika. Aby wyrównać tę różnicę, za pomocą parametru P1 można nastawić margines temperatury pomieszczenia równy ± 3 °C.

Przykład: Urządzenie wskazuje I1 = 21,0 °C. Temperatura zmierzona przez użytkownika wynosi 20,0 °C. Występuje różnica 1,0 °C.

- Aby wyrównać różnicę, nastawić margines P1 = -1,0.

P2: Format godziny

Parametr P2 pozwala określić, czy godzina wyświetlana będzie w formacie 12-godzinnym, czy też 24-godzinnym.

P3: Jednostka wskazania temperatury

Za pomocą parametru P3 można określić, czy temperatura będzie wyświetlana w stopniach Celsjusza [°C], czy też w stopniach Fahrenheita [°F].

P4: Reset programów czasowych

Aktywacja parametru P4 powoduje przywrócenie nastaw fabrycznych wszystkich programów czasowych.

P5: Reset względnego czasu grzania

Poprzez aktywację parametru P5 resetuje się licznik względnego czasu grzania (I2).

6. Czyszczenie i konserwacja

Urządzenie nie posiada podzespołów, które musiałyby być poddawane konserwacji przez użytkownika.

**Szkody materialne**

- Do otworu wentylacyjnego nie przyskać środka do czyszczenia w aerozolu.
- Uważać, aby do urządzenia nie przedostała się wilgoć.

- Jeżeli na obudowie urządzenia wystąpią nieznaczne brązowe przebarwienia, należy je zetrzeć wilgotną ściereczką.
- Urządzenie należy czyścić, gdy jest schłodzone, przy użyciu standardowych środków do czyszczenia. Unikać żrących środków czyszczących o właściwościach szorujących.

**Wskazówka**

Podczas regularnych konserwacji zalecamy również zlecenie kontroli przyrządów kontrolnych i regulacyjnych.

- Zlecić wyspecjalizowanemu instalatorowi kontrolę zabezpieczeń, przyrządów kontrolnych i regulacyjnych najpóźniej po upływie 10 lat od pierwszego uruchomienia.

7. Usuwanie problemów

Problem	Przyczyna	Usuwanie
Pomieszczenie nie nagrzewa się dostatecznie. Urządzenie nie rozgrzewa się.	W urządzeniu nastawiona jest za niska temperatura. Brak zasilania energią elektryczną.	Sprawdzić nastawioną temperaturę pomieszczenia. W razie potrzeby wyregulować. Skontrolować nastawy włącznika sieciowego, wyłącznika różnicowo-prądowego i bezpiecznika w instalacji budynku.
Pomieszczenie nie jest dostatecznie ogrzewane, mimo że urządzenie nagrzewa się.	Przegrzanie. Ogranicznik temperatury bezpieczeństwa ogranicza moc grzewczą. Zapotrzebowanie pomieszczenia na ciepło przekracza moc urządzenia.	Usunąć przyczynę (brud lub przeszkody we wlocie lub wylocie powietrza). Zwrócić uwagę na minimalne odległości! Zlikwidować straty ciepła (Zamknąć okna i drzwi. Unikać ciągłego wietrzenia.)
W pomieszczeniu jest za ciepło.	W urządzeniu nastawiona jest za wysoka temperatura. Wykryta temperatura pomieszczenia różni się od rzeczywistej temperatury pomieszczenia.	Sprawdzić nastawioną temperaturę pomieszczenia. W razie potrzeby wyregulować. Unikać przeszkód w wymianie powietrza między urządzeniem a powietrzem w pomieszczeniu.
Funkcja wykrywania otwartego okna nie reaguje.	Urządzenie nie wykrywa znacznego spadku temperatury wskutek wietrzenia. (Funkcja wykrywania otwartego okna zakłada wcześniejszą stabilną temperaturę pomieszczenia.)	Po wprowadzeniu nastaw w urządzeniu odczekać przez chwilę, aż temperatura pomieszczenia całkowicie się ustabilizuje. Unikać przeszkód w wymianie powietrza między urządzeniem a powietrzem w pomieszczeniu. Na czas wietrzenia przełączyć urządzenie ręcznie na tryb Standby.
	Wykrywanie otwartego okna nie jest aktywowane.	Włączyć w menu podstawowym funkcję wykrywania otwartego okna.

INSTALACJA

Bezpieczeństwo

Problem	Przyczyna	Usuwanie
Funkcja „Start adaptacyjny” nie działa zgodnie z oczekiwaniami.	Funkcja jest skuteczna tylko w trybie programatora czasowego.	Korzystać z trybu programatora czasowego, aby uzyskać optymalny komfort grzewczy.
	Temperatura pomieszczenia znacznie się waha bądź proces programowania urządzenia nie jest zakończony.	Odczekać kilka dni, aż reakcja ustabilizuje się.
	Funkcja „Start adaptacyjny” nie jest aktywowana.	Włączyć w menu podstawowym funkcję „Start adaptacyjny”.
Włączony jest program „FP”, ale urządzenie nie reaguje na wejście zewnętrzne.	Jeśli urządzenie nie wykrywa sygnału na wejściu zewnętrznym, grzeje ono w trybie komfortowym.	Skontrolować zewnętrzny sterownik i jego nastawy. Okablowanie musi być poprawnie wykonane i właściwie spolaryzowane.
Na ekranie widoczne jest wskazanie „Err” lub „E...”.	Wykryto błąd wewnętrzny.	Powiadomić wyspecjalizowanego instalatora.

Jeśli nie można usunąć przyczyny usterki, należy wezwać wyspecjalizowanego instalatora. W celu usprawnienia i przyspieszenia pomocy należy podać numer urządzenia z tabliczki znamionowej (000000-0000-000000).

INSTALACJA

8. Bezpieczeństwo

Instalacja, uruchomienie, jak również konserwacja i naprawa urządzenia mogą być wykonane wyłącznie przez wyspecjalizowanego instalatora.

8.1 Ogólne wskazówki dotyczące bezpieczeństwa

Producent zapewnia prawidłowe działanie i bezpieczeństwo eksploatacji tylko w przypadku stosowania oryginalnego osprzętu przeznaczonego do tego urządzenia oraz oryginalnych części zamiennych.



OSTROŻNIE – poparzenie

- Urządzenie montować wyłącznie na pionowej ścianie o odporności termicznej co najmniej 85 °C.
- Zachować minimalne odległości od sąsiednich powierzchni obiektów.



Szkody materialne

- Nie montować urządzenia bezpośrednio pod gniazdem elektrycznym.
- Zwrócić uwagę na to, aby przewód przyłączeniowy nie stykał się z żadnymi elementami urządzenia.

8.2 Przepisy, normy i wymogi



Wskazówka

Należy przestrzegać krajowych i lokalnych przepisów oraz wymogów.

9. Opis urządzenia

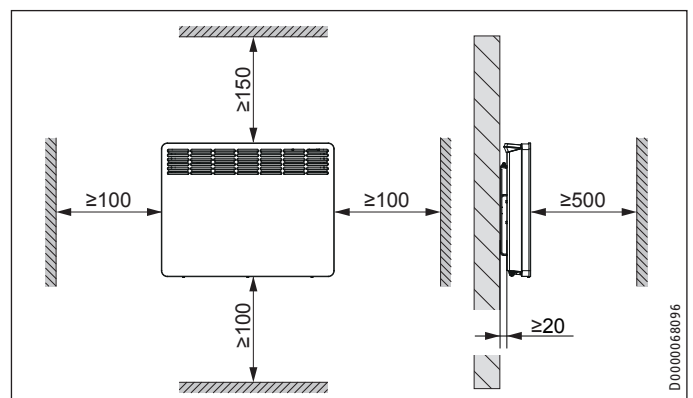
9.1 Zakres dostawy

Z urządzeniem dostarczane są:

- Uchwyt ścienny (zawieszony na urządzeniu)

10. Montaż

10.1 Minimalne odległości



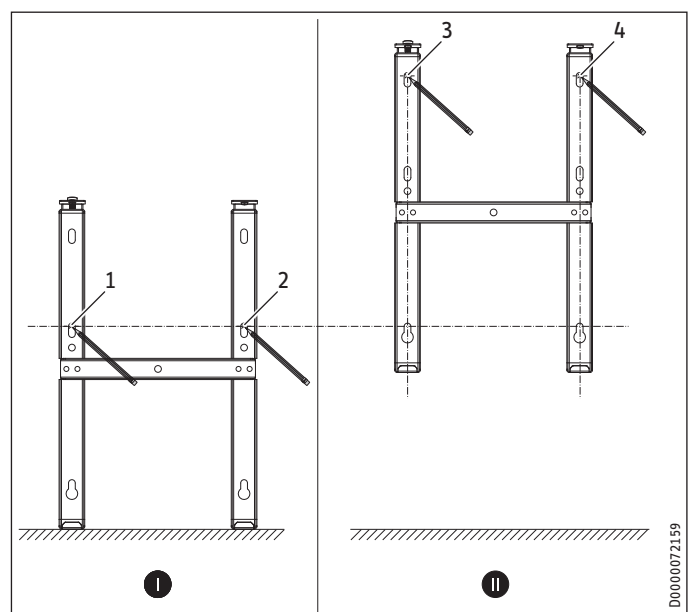
10.2 Montaż uchwyty ściennego

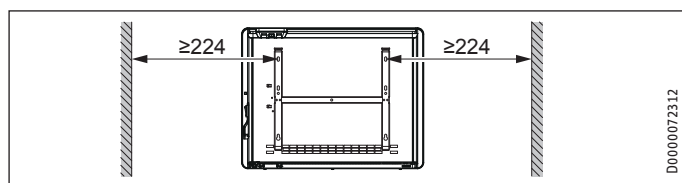
Urządzenie przewidziane jest do montażu ściennego za pomocą dołączonego uchwyty ściennego. Urządzenie wolno montować wyłącznie w poziomie.



Wskazówka

- Uchwyt ścienny można wykorzystać jako szablon do zamocowania na ścianie. Dzięki temu zapewniona będzie niezbędna odległość od podłogi.
- Jeśli podłoga jest nierówna lub nachylona, skorzystać z poziomnicy.

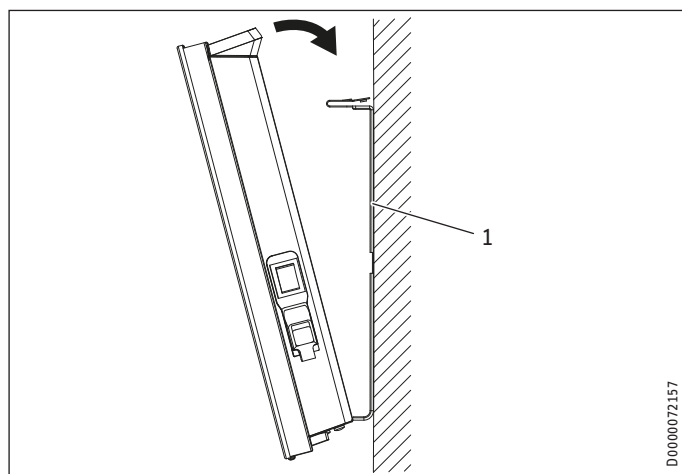




D0000072312

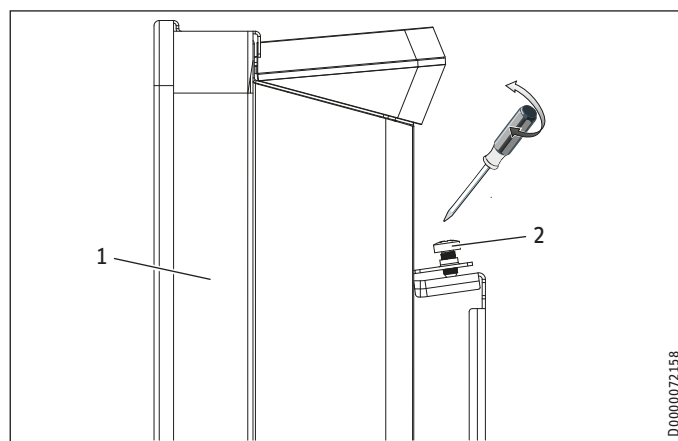
- ▶ Odczepić uchwyt ścienny od urządzenia.
- ▶ Postawić uchwyt ścienny z wyznaczonym punktem środkowym poziomo na podłodze. Zaznaczyć otwory 1 i 2.
- ▶ Przesunąć uchwyt ścienny w górę, aby dolne otwory w uchwycie pokrywały się z naniesionymi w linii prostej oznaczeniami na ścianie montażowej.
- ▶ Zaznaczyć otwory 3 i 4 na ścianie montażowej.
- ▶ Wywiercić otwory na 4 oznaczeniach.
- ▶ Zamontować uchwyt ścienny za pomocą odpowiednich elementów mocujących (śruby, kołki). Pionowe otwory wzdłużne pozwalają wyrównać różnice położenia otworów mocujących.

10.3 Montaż urządzenia



D0000072157

- 1 Uchwyt ścienny
- ▶ Zawiesić urządzenie na szczelinach montażowych znajdujących się z tyłu urządzenia na dolnych zaczepach na uchwycie ściennym.
 - ▶ Ustawić urządzenie prosto.
 - ▶ W celu zablokowania nacisnąć urządzenie w kierunku ściany montażowej, aż urządzenie słyszalnie zatrzaśnie się w obu górnych sprężynach uchwytu ściennego.



D0000072158

- 1 Urządzenie
2 Śruba zabezpieczająca
- ▶ Zabezpieczyć urządzenie dołączoną śrubą zabezpieczającą z lewej strony uchwytu ściennego przed przypadkowym wyczepieniem.

10.4 Demontaż urządzenia

- ▶ Poluzować i wyjąć śrubę zabezpieczającą z uchwytu ściennego.
- ▶ Odłączyć urządzenie, naciskając w dół sprężyny znajdujące się na górze uchwytu ściennego.
- ▶ Przechylić urządzenie do przodu i zdjąć je z dolnych zaczepów uchwytu ściennego.

10.5 Podłączenie elektryczne



OSTRZEŻENIE porażenie prądem elektrycznym

- Wszystkie elektryczne prace przyłączeniowe i instalacyjne należy wykonywać zgodnie z przepisami.
- W przypadku podłączenia na stałe należy zapewnić możliwość odłączania urządzenia na wszystkich biegunach od sieci elektrycznej, za pomocą wyłącznika wielobiegunowego z rozwarciem styków wynoszącym co najmniej 3 mm.
- Instalacja z elektrycznym przewodem przyłączeniowym podłączonym na stałe jest niedopuszczalna.



Wskazówka

- Zwrócić uwagę na treść tabliczki znamionowej. Podane napięcie musi być zgodne z napięciem sieciowym.
- Do obowiązków wyspecjalizowanego instalatora należy odpowiedni dobór pola przekroju przewodu zasilającego.

INSTALACJA

Uruchomienie

10.5.1 Seria CWM P

Dostarczone urządzenie jest wyposażone w sieciowy przewód przyłączeniowy z wtyczką do podłączenia do sieci elektrycznej. Dopuszczalne są następujące możliwości podłączenia do instalacji elektrycznej:

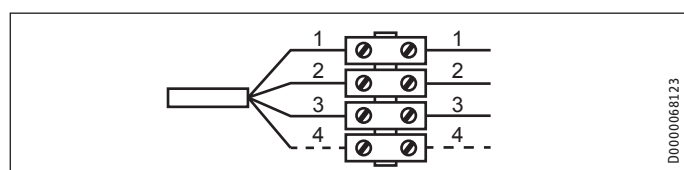
	CWM 500-3000 P
Podłączenie za pomocą sieciowego przewodu przyłączeniowego z wtyczką, do łatwo dostępnego gniazdka z zestykiem ochronnym.	X
Podłączenie na stałe w puszcze instalacyjnej z przewodem ochronnym	X

- Przy podłączaniu do gniazdka zwrócić uwagę, aby gniazdo po zainstalowaniu urządzenia było swobodnie dostępne.
- Jeśli urządzenie będzie podłączane na stałe, skrócić sieciowy przewód przyłączeniowy tak, aby prowadził bezpośrednio do puszki przyłączeniowej. Przy skracaniu sieciowego przewodu przyłączeniowego zwracać uwagę, aby urządzenie dało się bez problemu zdejmować ze ściany montażowej.

10.5.2 Seria CWM U

Urządzenie dostarczane jest z sieciowym przewodem przyłączeniowym bez wtyczki.

- ▶ W przypadku podłączania na stałe podłączyć 4-żyłowy kabel do puszki przyłączeniowej w sposób przedstawiony na rysunku:



- 1 Przewód zerowy = kolor niebieski
- 2 Faza = kolor brązowy
- 3 Przewód ochronny = zielono-żółty
- 4 Przewód sterujący = kolor czarny

Istnieją 3 możliwości podłączenia urządzenia:

- podłączenie urządzenia bez przewodu sterującego

urządzenie bez możliwości sterowania. Przewód sterujący nie jest podłączony. Należy zaizolować przewód sterujący.

- obniżenie temperatury za pośrednictwem przewodu sterującego

W celu obniżenia do ustawionej temperatury obniżonej czarny przewód sterujący jest sterowany przez zewnętrzny styk elektromechaniczny (np. programator czasowy).

- podłączenie przewodu sterującego do zewnętrznego sterownika

To urządzenie można podłączyć do każdego sterownika, które wyprowadza poniższe formy sygnałów jako sygnał sterujący.

Komenda	Oscyloskop	Tryb pracy	Temperatura grzania
Brak prądu		Tryb komfortowy	W zależności od ustawionej temperatury komfortowej
Oscylacja całkowita 230 V		Tryb obniżony	W zależności od ustawionej temperatury obniżonej
Półokres drgania negatywny -115 V		Ochrona przeciwmrozowa	Temperatura zabezpieczająca przed zamrożeniem
Półokres oscylacji pozytywny +115 V		Stop	Brak
Pełna oscylacja 230 V przez 3 sekundy		Tryb komfortowy -1 °C	1 °C mniej niż nastawiona temperatura komfortowa
Pełna oscylacja 230 V przez 7 sekundy		Tryb komfortowy -2 °C	2 °C mniej niż nastawiona temperatura komfortowa

11. Uruchomienie

Urządzenie jest gotowe do pracy po zamocowaniu na ścianie montażowej i podłączeniu do sieci elektrycznej.

- ▶ Zdjąć folię ochronną z panelu obsługowego.

12. Usuwanie usterek

Czynności związane z wymianą sieciowego przewodu przyłączeniowego, np. w razie uszkodzenia, mogą być wykonywane wyłącznie przez wyspecjalizowanego instalatora posiadającego uprawnienia wydane przez producenta, przy użyciu oryginalnej części zamiennych.

13. Przekazanie urządzenia

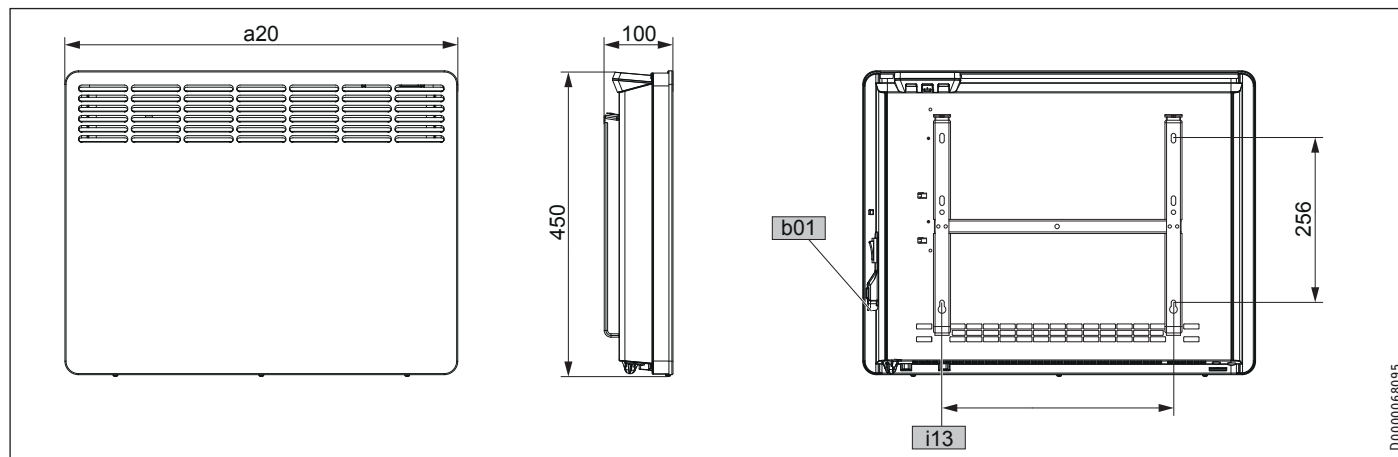
Objasnić użytkownikowi sposób działania urządzenia. Zwrócić jego uwagę szczególnie na wskazówki dotyczące bezpieczeństwa. Przekazać instrukcję obsługi i instalacji.

INSTALACJA

Dane techniczne

14. Dane techniczne

14.1 Wymiary i przyłącza



			CWM 500 P/U	CWM 750 P/U	CWM 1000 P/U	CWM 1500 P/U	CWM 2000 P/U	CWM 2500 P/U	CWM 3000 P/U	
a20	Urządzenie	Szerokość	mm	348	426	426	582	738	894	1050
i13	Uchwyt ścienny	Odległość między otworami w poziomie	mm	101	179	179	335	491	647	803
b01	Przepust na przewody elektryczne									

14.2 Dane dotyczące zużycia energii

Dane produktu odpowiadają rozporządzeniom UE dotyczącym dyrektywy do ekologicznego kształtowania produktów istotnych dla zużycia energii.

		CWM 500 P/U	CWM 750 P/U	CWM 1000 P/U	CWM 1500 P/U	CWM 2000 P/U	CWM 2500 P/U	CWM 3000 P/U	
CWM P		200254	200255	200256	200257	200258	200259	200260	
CWM U		200261	200262	200263	200264	200265	200266	200267	
Producent		STIEBEL ELTRON	STIEBEL ELTRON	STIEBEL ELTRON	STIEBEL ELTRON	STIEBEL ELTRON	STIEBEL ELTRON	STIEBEL ELTRON	
Moc grzewcza									
Znamionowa moc grzewcza P_{nom}	kW	0,5	0,8	1,0	1,5	2,0	2,5	3,0	
Minimalna moc grzewcza (wartość orientacyjna) P_{min}	kW	0,0	0,0	0,0	0,0	0,0	0,0	0,0	
Maksymalna ciągła moc grzewcza $P_{max,c}$	kW	0,5	0,8	1,0	1,5	2,0	2,5	3,0	
Zużycie prądu pomocniczego									
Przy znamionowej mocy grzewczej e_{lmax}	kW	0,000	0,000	0,000	0,000	0,000	0,000	0,000	
Przy minimalnej mocy grzewczej e_{lmin}	kW	0,000	0,000	0,000	0,000	0,000	0,000	0,000	
W stanie gotowości e_{lSB}	kW	0,000	0,000	0,000	0,000	0,000	0,000	0,000	
Rodzaj mocy grzewczej/kontrola temperatury pomieszczenia									
Jednostopniowa moc grzewcza, bez kontroli temperatury pomieszczenia		-	-	-	-	-	-	-	
Dwa lub więcej ręcznie nastawianych stopni, bez kontroli temperatury pomieszczenia		-	-	-	-	-	-	-	
Kontrola temperatury pomieszczenia za pomocą termostatu mechanicznego		-	-	-	-	-	-	-	
Z elektroniczną kontrolą temperatury pomieszczenia		-	-	-	-	-	-	-	
Elektroniczna kontrola temperatury pomieszczenia i regulacja wg pory dnia		-	-	-	-	-	-	-	
Elektroniczna kontrola temperatury pomieszczenia i regulacja wg dnia tygodnia		x	x	x	x	x	x	x	
Pozostałe opcje regulacji									
Kontrola temperatury pomieszczenia z wykrywaniem obecności		-	-	-	-	-	-	-	
Kontrola temperatury pomieszczenia z wykrywaniem otwartego okna		x	x	x	x	x	x	x	
Z opcjami zdalnego sterowania		-	-	-	-	-	-	-	
Z regulacją adaptacyjną początku grzania		x	x	x	x	x	x	x	
Z ograniczeniem czasu pracy		-	-	-	-	-	-	-	
Z czujnikiem z czarną kulą		-	-	-	-	-	-	-	

Dane techniczne

14.3 Tabela danych

		CWM 500 P/U	CWM 750 P/U	CWM 1000 P/U	CWM 1500 P/U	CWM 2000 P/U	CWM 2500 P/U	CWM 3000 P/U
CWM P		200254	200255	200256	200257	200258	200259	200260
CWM U		200261	200262	200263	200264	200265	200266	200267
Dane elektryczne								
Moc przyłączeniowa	W	500	750	1000	1500	2000	2500	3000
Zasilanie sieciowe		1/N/PE ~ 230 V	1/N/PE ~ 230 V	1/N/PE ~ 230 V	1/N/PE ~ 230 V	1/N/PE ~ 230 V	1/N/PE ~ 230 V	1/N/PE ~ 230 V
Prąd znamionowy	A	2,2	3,3	4,3	6,5	8,7	10,9	13,0
Częstotliwość	Hz	50/-	50/-	50/-	50/-	50/-	50/-	50/-
Wymiary								
Wysokość	mm	450	450	450	450	450	450	450
Szerokość	mm	348	426	426	582	738	894	1050
Głębokość	mm	100	100	100	100	100	100	100
Masy								
Masa	Kg	4,0	4,6	4,6	6,0	7,7	9,2	10,9
Wykonania								
Położenie ochrony przed zamrażaniem	°C	7	7	7	7	7	7	7
Wersja		Urządzenie wiszące	Urządzenie wiszące	Urządzenie wiszące	Urządzenie wiszące	Urządzenie wiszące	Urządzenie wiszące	Urządzenie wiszące
Stopień ochrony (IP)		IP24	IP24	IP24	IP24	IP24	IP24	IP24
Klasa ochrony		I	I	I	I	I	I	I
Kolor		Biały alpejski	Biały alpejski	Biały alpejski	Biały alpejski	Biały alpejski	Biały alpejski	Biały alpejski
Parametry								
Zakres nastaw	°C	5-30	5-30	5-30	5-30	5-30	5-30	5-30

Gwarancja

Urządzeń zakupionych poza granicami Niemiec nie obejmują warunki gwarancji naszych niemieckich spółek. Ponadto w krajach, w których jedna z naszych spółek córek jest dystrybutorem naszych produktów, gwarancji może udzielić wyłącznie ta spółka. Taka gwarancja obowiązuje tylko wówczas, gdy spółka-córka sformułowała własne warunki gwarancji. W innych przypadkach gwarancja nie jest udzielana.

Nie udzielamy gwarancji na urządzenia zakupione w krajach, w których żadna z naszych spółek córek nie jest dystrybutorem naszych produktów. Ewentualne gwarancje udzielone przez importera zachowują ważność.

Ochrona środowiska i recycling

Pomóż chronić środowisko naturalne. Materiały po wykorzystaniu należy utylizować zgodnie z krajowymi przepisami.

KÜLÖNLEGES TUDNIVALÓK

KEZELÉS

1. Általános tudnivalók	72
1.1 Biztonsági tudnivalók	72
1.2 A dokumentumban használt egyéb jelölések	72
1.3 A készüléken található tudnivalók	72
1.4 Mértékegységek	72
2. Biztonság	72
2.1 Rendeltetésszerű használat	72
2.2 Általános biztonsági tudnivalók	73
2.3 Tanúsítvány	73
3. A készülék leírása	73
4. Kezelés	73
4.1 Kezelőegység	74
4.2 A készülék be- és kikapcsolása	74
4.3 Készenléti üzemmód	75
5. Beállítások	75
5.1 Alap kijelző	75
5.2 Alapmenü	75
5.3 Konfigurációs menü	75
6. Tisztítás, ápolás és karbantartás	77
7. Hibaelhárítás	77

TELEPÍTÉS

8. Biztonság	78
8.1 Általános biztonsági tudnivalók	78
8.2 Előírások, szabványok és rendelkezések	78
9. A készülék leírása	78
9.1 Szállítási terjedelem	78
10. Szerelés	78
10.1 Minimális távolságok	78
10.2 A fali tartó felszerelése	78
10.3 A készülék felszerelése	79
10.4 A készülék leszerelése	79
10.5 Elektromos csatlakozás	79
11. Üzembe helyezés	80
12. Hibaelhárítás	80
13. A készülék átadása	80
14. Műszaki adatok	81
14.1 Méretek és csatlakozók	81
14.2 Energiafogyasztási adatok	81
14.3 Adattábla	82

GARANCIA

KÖRNYEZETVÉDELEM ÉS ÚJRAHASZNOSÍTÁS

KÜLÖNLEGES TUDNIVALÓK

- A készülék távol tartandó 3 évnél fiatalabb gyermekektől, ha állandó felügyeletük nem biztosított.
- Ezt a készüléket a 3 - 7 éves gyermekek csak megfelelő felügyelet mellett, illetve a készülék biztonságos használatával kapcsolatos alapvető utasítások és a kapcsolódó veszélyek ismeretében kapcsolhatják be vagy ki. Ehhez a készüléket az előírásoknak megfelelően kell felszerelni. A 3 - 7 éves gyermekek nem helyezhetik a hálózati csatlakozót a dugaszoló aljzatba, és nem szabályozhatják a készüléket.
- Ezt a készüléket 8 éves kort betöltött gyermekek, valamint testileg, érzékszervileg vagy szellemileg korlátozott, nem hozzáértő és a terméket nem ismerő személyek csak megfelelő felügyelet mellett, illetve a készülék biztonságos használatával kapcsolatos alapvető utasítások és a kapcsolódó veszélyek ismeretében használhatják.
- Gyermekek nem játszhatnak a készülékkel. A tisztítást és felhasználói karbantartást gyermekek felügyelet nélkül nem végezhetik.
- A készülék alkatrészei nagyon felforrósodhatnak és égési sérülést okozhatnak. Gyermekek és védelemre szoruló személyek jelenléte esetén különleges óvatossággal kell eljárni.
- A túlmelegedés elkerülése érdekében ne takarja le a készüléket!
- Ne helyezze a készüléket közvetlenül fali csatlakozóaljzat alá.
- Fix bekötés esetén a készüléket egy minden pólust legalább 3 mm érintkezési távolsággal bontani képes megszakító eszközzel le kell tudni választani a hálózatról.

- A hálózati tápkábelt – pl. annak meghibásodása esetén – csak a gyártó által jóváhagyott szakszerelő cserélheti ki, eredeti pótalkatrész felhasználásával.
- A készüléket a „Telepítés / Szerelés” c. fejezetben leírtak szerint szerelje fel.

KEZELÉS

1. Általános tudnivalók

A „Különleges tudnivalók”, valamint a „Kezelés” c. fejezet a felhasználók és a szakemberek részére készült.

A „Telepítés” c. fejezet a szakemberek részére készült.



Megjegyzés

Használat előtt figyelmesen olvassa el ezt az útmutatót, és őrizze meg.

Ha a készüléket továbbadja, az útmutatót is adja át a következő felhasználónak.

1.1 Biztonsági tudnivalók

1.1.1 A biztonsági tudnivalók felépítése



JELZŐSZÓ A veszély jellege

Itt a biztonsági tudnivalók figyelmen kívül hagyásából adódó lehetséges következmények találhatók.

► Itt a veszély elhárításához szükséges intézkedések találhatók.

1.1.2 Szimbólumok, a veszély jellege

Szimbólum	A veszély jellege
	Sérülés
	Áramütés
	Égési sérülés (Égési sérülés, forrázás)

1.1.3 Jelzőszavak

JELZŐSZÓ	Jelentése
VESZÉLY	Olyan tudnivalók, amelyek figyelmen kívül hagyása sérüléshez vagy halálhoz vezet.
FIGYELMEZTETÉS	Olyan tudnivalók, amelyek be nem tartása súlyos vagy halálos sérüléseket okozhat.
VIGYÁZAT	Olyan tudnivalók, amelyek figyelmen kívül hagyása közepesen súlyos vagy könnyű sérülésekhez vezethet.

1.2 A dokumentumban használt egyéb jelölések



Megjegyzés

Az általános tudnivalókat a mellettük lévő szimbólumok jelölik.

► Figyelmesen olvassa el a tudnivalók szövegét.

Szimbólum	Jelentése
	Anyagi kár (a készülék sérülése, következményként fellépő kár, környezeti kár)
	A készülék hulladékba juttatása

► Ez a szimbólum teendőkre utal. A szükséges műveleteket lépésről lépésre ismertetjük.

1.3 A készüléken található tudnivalók

Szimbólum	Jelentése
	A készüléket tilos lefedni

1.4 Mértékegységek



Megjegyzés

A méretek mm-ben értendők, hacsak másképp nincs megadva.

2. Biztonság

2.1 Rendeltetésszerű használat

Ez a készülék lakóterek felmelegítésére szolgál.

A készülék háztartási környezetben történő alkalmazásra készült. A készülék betanítás nélkül is biztonságosan használható. A készülék nem háztartási környezetben – pl. a kisiparban – is használható, amennyiben a felhasználás módja azonos.

Más jellegű vagy ettől eltérő felhasználás nem minősül rendeltetésszerűnek. A rendeltetésszerű használathoz tartozik a jelen útmutató, valamint a használt tartozékok útmutatóinak figyelembe vétele is.

2.2 Általános biztonsági tudnivalók



FIGYELMEZTETÉS Sérülés

- A készülék távol tartandó 3 évnél fiatalabb gyermekektől, ha állandó felügyeletük nem biztosított.
- Ezt a készüléket a 3 – 7 éves gyermekek csak megfelelő felügyelet mellett, illetve a készülék biztonságos használatával kapcsolatos alapvető utasítások és a kapcsolódó veszélyek ismeretében kapcsolhatják be vagy ki. Ehhez a készüléket az előírásoknak megfelelően kell felszerelni. A 3 – 7 éves gyermekek nem helyezhetik a hálózati csatlakozót a dugaszoló aljzatba, és nem szabályozhatják a készüléket.
- Ezt a készüléket 8 éves kort betöltött gyermekek, valamint testileg, érzékszervileg vagy szellemileg korlátozott, nem hozzáértő és a terméket nem ismerő személyek csak megfelelő felügyelet mellett, illetve a készülék biztonságos használatával kapcsolatos alapvető utasítások és a kapcsolódó veszélyek ismeretében használhatják.
- Gyermekek nem játszhatnak a készülékkel. A tisztítást és felhasználói karbantartást gyermekek felügyelet nélkül nem végezhetik.



FIGYELMEZTETÉS Sérülés

Zárt térben a hőmérséklet gyorsan növekedhet. Ha a készüléket kisebb helyiségekben használják és az ott tartózkodók nem önállóan szabályozzák a készüléket, illetve nem hagyhatják el a helyiséget, akkor biztosítani kell a készülék állandó felügyeletét.



FIGYELMEZTETÉS Égési sérülés

Ne működtesse a készüléket...

- ha a szomszédos tárgyak felületeihez vagy egyéb éghető anyagokhoz viszonyított távolságok nem érik el a megadott minimális értékeket.
- olyan helyiségekben, melyekben vegyszerek, por, gázok vagy gőzök jelenléte miatt tűz- vagy robbanásveszély áll fenn. A fűtés bekapcsolása előtt alaposan szellőztesse ki a helyiséget.
- éghető vagy robbanásveszélyes anyagot továbbító vagy tartalmazó vezetékek és tartályok közvetlen közelében.
- ha a készülék valamely alkatrésze megsérült, a készülék leesett vagy eldőlt, illetve meghibásodott.



FIGYELMEZTETÉS Égési sérülés

- Ne tegyen éghető, gyúlékony vagy hőszigetelő hatású tárgyakat, illetve anyagokat a készülékre vagy annak közvetlen közelébe.
- Vigyázzon, nehogy eltömődjön a levegő be- és kivezető nyílása.
- Ne dugjon tárgyakat a készülék és a fal közé.



FIGYELMEZTETÉS Égési sérülés

A készülék nem használható szabadon álló készülékként. A készüléket kizárólag a készletben található fali tartóra szerelve szabad működtetni (lásd a „Telepítés / Szerelés” című fejezetet).



VIGYÁZAT Égési sérülés

A készülék alkatrészei nagyon felforrósodhatnak és égési sérülést okozhatnak. Gyermekek és védelemre szoruló személyek jelenléte esetén különleges óvatossággal kell eljárni.



FIGYELMEZTETÉS Túlmelegedés

A túlmelegedés elkerülése érdekében ne takarja le a készüléket!



Anyagi kár

- Ügyeljen arra, hogy a hálózati tápkábel ne érjen hozzá a készülékhez.
- A készüléket tilos fellépő segédeszközként használni.
- Ne működtesse a készüléket a szabadban.

2.3 Tanúsítvány

Lásd a készülék típustábláját.

3. A készülék leírása

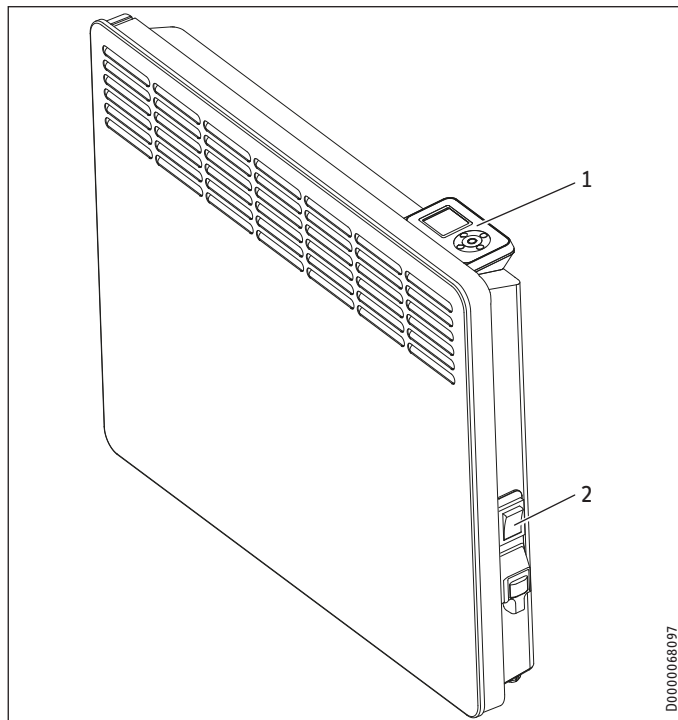
A készülék egy falra függeszthető, elektromos direktfűtő készülék.

A készülék alkalmas például kisebb helyiségek teljes kifűtésére, vagy átmeneti és kiegészítő fűtésére.

A készülékben lévő levegőt egy fűtőtest felmelegíti, majd természetes hőáramlással távozik a készülék tetején található levegőkivezető nyíláson keresztül. A készülék alján található levegő-bevezető nyílás biztosítja a helyiség hűvös levegőjének utánáramlását.

A helyiség beállított hőmérséklet-alapjelének megfelelő érték elérésekor a készülék azt időnkénti fűtéssel állandó szinten tartja.

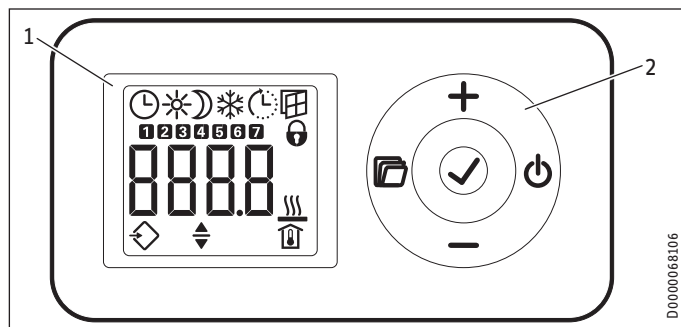
4. Kezelés



- 1 Kezelőegység
- 2 Hálózati kapcsoló

4.1 Kezelőegység

A kezelőegység a készülék jobb felső oldalán található.



- 1 Kijelző
2 Kezelőfelület

4.1.1 Kezelőfelület

Gomb	Megnevezés	Leírás
	„Készenlét” nyomógomb	A kezelőegység bekapcsolása; a kezelőegység és a fűtőkészülék átkapcsolása készenléti üzemmódba
	„OK” nyomógomb	Kiválasztás; a beállítások nyugtázása
	„Menü” nyomógomb	A menü behívása és kilépés a menüből
	„+” Nyomógomb	Menüpontok behívása; beállítások módosítása
	„-” Nyomógomb	Menüpontok behívása; beállítások módosítása

4.1.2 Kijelző

Ha a kezelő 20 mp-en keresztül semmilyen műveletet nem végez, akkor a háttérvilágítás kikapcsol. Tetszőleges nyomógomb lenyomásával a háttérvilágítás visszakapcsolható.

Szimbólumok

Szimbólum	Leírás
	Időkijelző: Az aktuális pontos idő vagy beprogramozott indítási időpont kijelzése Programozott üzemmód: A készülék az aktivált időprogramnak megfelelően fűt.
	Kényelmi üzemmód: A készülék tartja a beállított kényelmi hőmérsékletet. Szabványos érték: 21,0 °C. Ezt a beállítást komfortos helyiség-hőmérsékletekhez használhatja jelenlét esetén.
	Csökkentett üzemmód: A készülék tartja a beállított csökkentett hőmérsékletet. Szabványos érték: 18,0 °C. Ezt a beállítást például éjszaka vagy néhány órás távollét esetén használhatja.
	Fagyvédelem: Ha a helyiség hőmérséklet-alapjelét 7,0 °C-ra állítja, a kijelzőn megjelenik a fagyvédelem szimbólum. Ezzel a beállítással a használaton kívüli helységeket megvédheti a fagykárrel szemben.

Szimbólum	Leírás
	Adaptív indítás: Időzítő üzemmódban a fűtőkészülék bekapcsolási idejeit a vezérlés úgy állítja be, hogy már a beprogramozott indítási időpontban biztosított legyen a helyiség mindenkori beállított hőmérséklet-alapjelének megfelelő érték. Előfeltétel: Az „Adaptív indítás” funkció be van kapcsolva (lásd a „Beállítások / Alapmenü” című fejezetet).
	Nyitott ablak észlelése: A szellőztetés alatti szükségtelen energiafogyasztás elkerülése érdekében a készülék nyitott ablaknál egy órára automatikusan fagyvédelmi üzemmódba kapcsol. A „Nyitott ablak észlelése” szimbólum villog. A szellőztetést követően a fagyvédelmi üzemmódot a „+”, „-” vagy az „OK” gombbal manuálisan kikapcsolhatjuk. A készülék ismét felfűti a helyiség a beállított alapjelnek megfelelő hőmérsékletre. Előfeltétel: A „Nyitott ablak észlelése” funkció be van kapcsolva (lásd a „Beállítások/Alapmenü” című fejezetet).
	Kezelés letiltása: A kezelőfelület letiltásához, illetve a letiltás feloldásához 5 mp-en keresztül egyidejűleg lenyomva kell tartani a „+” és a „-” gombot.
	Fűtés aktív: A készülék a helyiség beállított alapjelének megfelelő hőmérséklet fenntartása érdekében fűt.
	A helyiség-hőmérséklet kijelzése
	Szerkeszthető paraméter: A kijelzett paraméter a „+” és a „-” gombbal módosítható.
	Külső bemenet (FP): A CWM U típusú készülékek külső vezérlőkészülékhez csatlakoztathatók. A vezérlőkészülék beállításától függően a készülék meghatározott napszakokban kényelmi, csökkentett vagy fagyvédelmi üzemmódban végzi a fűtést, vagy egyáltalán nem fűt.
	A hét napjai: 1 = hétfő, 2 = kedd....7 = vasárnap

4.2 A készülék be- és kikapcsolása



Megjegyzés

Az első üzembe helyezéskor, valamint hosszabb üzemzűnetet követően rövid idejű szagosodás előfordulhat.

A készülék üzemkész, miután felszerelték a falra és rákapcsolták azt az elektromos hálózatra.

- ▶ A készüléket az annak jobb oldalán található hálózati kapcsolóval lehet be- és kikapcsolni.
- ▶ Hosszú üzemzűnet esetén (például a nyári hónapokban) kapcsolja ki a készüléket.

A kikapcsolást vagy az áramellátás megszakadását követően az összes beállítás megőrződik. A készülék tartalék áramellátással rendelkezik, amely néhány órára biztosítja a hét napa és a pontos idő megőrzését.



Megjegyzés

Ha a készülék előzetesen időzítő-üzemmódban működött és hosszabb időre kikapcsolták azt, akkor a bekapcsolást követően megjelenik a felszólítás, mely szerint be kell állítani a hét napját és a pontos időt. Ameddig nem esz közölnek semmilyen beállítást, addig a készülék kényelmi üzemmódban működik.

KEZELÉS

Beállítások

4.3 Készenléti üzemmód



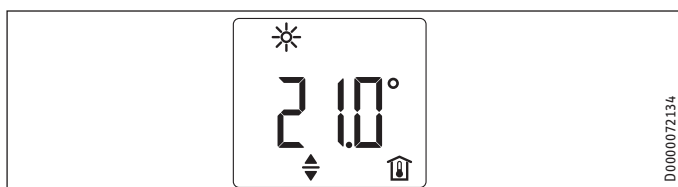
Anyagi kár

Készenléti üzemmódban a készülék semmilyen körülmények között nem kapcsolja be a fűtést. Ekkor nem biztosított a fagyvédelem.

- ▶ A kezelőegység bekapcsolásához nyomja le a „Készenlét” gombot. Megjelenik az alapkijelző.
- ▶ A kezelőegység és a fűtőkészülék készenléti üzemmódba való kapcsolásához nyomja le a „Készenlét” gombot. A kijelzőn az „- - - -” jelenik meg.

5. Beállítások

5.1 Alapkijelző



Az alapkijelző állandóan látható. Ha a menüben tartózkodva a kezelő 20 mp-nél hosszabb ideig semmilyen műveletet nem végez, akkor a készülék automatikusan átkapcsol az alapkijelzőre.

Az alapkijelzőn a helyiség aktuális hőmérséklet-alapjele, valamint a „Szerkeszthető paraméter” szimbólum látható. A „+” vagy a „-” gombbal módosítható a helyiség hőmérséklet-alapjele.

Ha a helyiség beállított hőmérséklet-alapjele megegyezik a kényelmi vagy csökkentett hőmérséklet egyik beállított értékével, akkor a menüsorban megjelenik a megfelelő üzemmód (kényelmi üzemmód, csökkentet üzemmód) szimbóluma.

A helyiség hőmérséklet-alapjele programozott üzemmódban is módosítható manuálisan. A helyiség módosított hőmérséklet-alapjele érvényben marad a következő beprogramozott kapcsolási időpontig.

5.2 Alapmenü

Az alapmenübe a „Menü” gomb rövid lenyomásával léphetünk. A következő menüpontokat lehet behívni:

Kijelző	Leírás
	A hét napja és a pontos idő beállítása
	A komforthőmérsékletet legalább 0,5 °C-kal magasabbra kell állítani a csökkentett hőmérsékletnél.
	A csökkentett hőmérséklet beállítása

Kijelző	Leírás
	A „Nyitott ablak észlelése” funkció be- és kikapcsolása
	Időprogram (Pro1, Pro2, Pro3, Ki) vagy külső bemenet (FP) kiválasztása
	Az „Adaptív indítás” funkció be- és kikapcsolása

Ha módosítani szeretné egy menüpont beállítását, akkor hívja be a megfelelő menüpontot a „+” és a „-” gombbal. Nyomja le az „OK” gombot.

Amint megjelenik a „Szerkeszthető paraméter” szimbólum, módosítani lehet a menüpont beállítását a „+” és a „-” gombbal. A beállítások mentéséhez nyomja le az „OK” gombot.

Az alapmenüből való kilépéshez nyomja le a „Menü” gombot. Megjelenik az alapkijelző.

5.3 Konfigurációs menü

Kijelző	Leírás
I1-I2	Tényleges értékek
Pro1-Pro3	Időprogramok
P1-P5	Paraméter

A konfigurációs menüben behívhatók a tényleges értékek, programozhatók az időprogramok a programozott üzemmódhoz és beállíthatók a paraméterek.

A konfigurációs menübe a „Menü” gomb lenyomva tartásával léphetünk. Kb. 3 mp elteltével megjelenik az I1 tényleges érték.

A „+” és a „-” gombokkal átkapcsolhatunk az egyes tényleges értékek, időprogramok és paraméterek között.

A konfigurációs menüből való kilépéshez nyomja le a „Menü” gombot. Megjelenik az alapkijelző.

5.3.1 Tényleges értékek

A következő tényleges értékeket lehet behívni:

Kijelző	Leírás	Egység
I1	A helyiség-hőmérséklet tényleges értéke	[°C] [°F]
I2	A fűtés relatív időtartama (a P5 paraméter segítségével le lehet nullázni a számlálót).	[óra]



Megjegyzés

A fűtés relatív időtartamának (I2) számlálója teljes órában kifejezve azt az időtartamot számlálja, ameddig a készülék fűt. A készülék kikapcsolásakor a 60 percnél rövidebb fűtési fázisokat az nem regisztrálja.

5.3.2 Időprogramok

A készülék programozott üzemmódban való használatához három időprogram áll rendelkezésre. A Pro1 és a Pro2 időprogramokat gyárilag előzetesen konfigurálták. A Pro3 időprogramot az egyéni igényeknek megfelelően lehet beállítani.

Kijelző	Leírás
Pro1	„naponta” időprogram - Ismétlődés: Hétfőtől vasárnapig
Pro2	„munkanapokon” időprogram - Ismétlődés: Hétfőtől péntekig
Pro3	„felhasználó által definiált” időprogram - 14 kényelmi időszakig bezárólag tetszőlegesen konfigurálható.



Megjegyzés

A programozott üzemmód használatához az alapmenüben ki kell választani a kívánt időprogramot (lásd a „Beállítások/Alapmenü” című fejezetet).



Megjegyzés

Az időprogramok beállításakor ügyeljen a hét napja és a pontos idő szabályos beállítására.



Megjegyzés

Valamennyi időprogramra (Pro1, Pro2, Pro3) nézve érvényes a következő szabály:
Ha a befejezési időpont 23:59-nél későbbre esik, akkor az automatikusan a hét következő napjára kerül beállításra. A kényelmi időszak éjjelen át tart; az a hét következő napján, a beállított befejezési időpontban fejeződik be.

Pro1 és Pro2 időprogramok

A Pro1 és Pro2 időprogramokkal a kényelmi üzemmód kezdési és befejezési időpontját lehet meghatározni. Ebben az időszakaszban a készülék a beállított kényelmi hőmérsékletre fűt fel. Ezen meghatározott időszakon kívül a készülék csökkentett üzemmódban működik. Ebből adódik egy kényelmi és egy csökkentett hőmérsékletű fázis, amelyek naponta (Pro1), illetve minden munkanapon (Pro2) ismétlődnek.

Gyárilag ezeket az időszakokat a következőképpen konfigurálták:

- 08:00 - 22:00 óra: Kényelmi üzemmód
- 22:00 óra - 08:00 óra: Csökkentett üzemmód



Megjegyzés

Ha aktiválták a Pro2 időprogramot, akkor a készülék hétvégén kizárólag csökkentett üzemmódban működik.

A Pro1 és a Pro2 időprogramot a következőképpen lehet az egyéni igényekhez igazítani:

- ▶ A konfigurációs menüben a „+” és a „-” gombokkal hívja be a kívánt időprogramot.
- ▶ Nyomja le az „OK” gombot.
A kijelzőn látható a kényelmi üzemmód kezdési időpontja.
- ▶ A „+” és a „-” gombbal állítsa be a kívánt kezdési időpontot.
- ▶ Nyomja le az „OK” gombot.
Megjelenik a kényelmi üzemmód befejezési időpontja.

- ▶ A „+” és a „-” gombbal állítsa be a kívánt befejezési időpontot.
- ▶ A beállított értékek mentéséhez nyomja le az „OK” gombot.

Pro3 időprogram

A Pro3 időprogrammal max. 14 külön kényelmi időszakot lehet meghatározni, amelyek hetenként ismétlődnek.

A Pro3 időprogramban a következőképpen lehet kényelmi időszakot konfigurálni:

- ▶ A konfigurációs menüben a „+” és a „-” gombbal hívja be a Pro3 időprogramot.
- ▶ Nyomja le az „OK” gombot.
A kijelzőn „3---” látható.
- ▶ Nyomja le az „OK” gombot.
Megjelenik a hét egy napja, illetve a hét napjainak csoportja.
- ▶ A „+” és a „-” gombokkal állítsa be a hét kívánt napját, illetve a hét napjainak megfelelő csoportját.
- ▶ Nyomja le az „OK” gombot.
A kijelzőn látható a kényelmi üzemmód kezdési időpontja.
- ▶ A „+” és a „-” gombbal állítsa be a kívánt kezdési időpontot.
- ▶ Nyomja le az „OK” gombot.
Megjelenik a kényelmi üzemmód befejezési időpontja.
- ▶ A „+” és a „-” gombbal állítsa be a kívánt befejezési időpontot.
- ▶ Nyomja le az „OK” gombot.
A „3-01” kényelmi időszak konfigurálása befejeződött.
- ▶ További kényelmi időszak konfigurálásához a „+” és a „-” gombbal válassza a Pro3 időprogramot; a kijelzőn „3---” látható. Járjon el a fentiek szerint.



Tudnivaló

A beállított kényelmi időszakok gyári értékekre való visszaállításához válassza a P4 paramétert.

- ▶ Vegye figyelembe, hogy a P4 paraméter kiválasztásával az összes időprogram (Pro1, Pro2, Pro3) visszaáll a gyári program szerinti alaphelyzetbe.

5.3.3 Paraméter

A következő paramétereket lehet behívni:

Kijelző	Leírás	Opciók
P1	Helyiség hőmérséklet-eltolás	±3 °C ±5 °F
P2	Óraformátum	12 24 óra
P3	A hőmérséklet-kijelző mértékegysége	°C °F
P4	Időprogramok (programozott üzemmód) visszaállítás.	be ki
P5	A fűtés relatív időtartamának visszaállítása	be ki

Ha módosítani kívánja egy paraméter értékét, akkor hívja be azt a „+” és a „-” gombbal. Nyomja le az „OK” gombot.

Amint megjelenik a „Szerkeszthető paraméter” szimbólum, a „+” és a „-” gombbal módosítani lehet a paraméter értékét. A beállított érték mentéséhez nyomja le az „OK” gombot.

P1: Helyiséghőmérséklet-eltolás

Ha nem egyenletes a hőmérséklet eloszlása a helyiségben, akkor eltérés adódhat az I1 kijelzett tényleges hőmérséklet és a helyiség mért hőmérséklete között. Az eltérés kiegyenlítése érdekében a P1 paraméter segítségével beállítható egy ± 3 °C helyiség-hőmérséklet-eltolás.

Példa: A készüléken az I1 = 21,0 °C érték látható. A helyiség mért hőmérséklete 20,0 °C. 1,0 °C-os különbség áll fenn.

- ▶ A különbség kiegyenlítéséhez állítson be P1 = -1,0 eltölési értéket.

P2: Óraformátum

A P2 paraméter segítségével lehet megadni, hogy a pontos idő 12 vagy 24 órás formátumban jelenjen-e meg.

P3: A hőmérséklet-kijelző mértékegysége

A P3 paraméter segítségével lehet meghatározni, hogy a helyiség-hőmérséklet kijelzése Celsius fokban [°C] vagy Fahrenheit fokban [°F] történjen-e.

P4: Időprogramok visszaállítása

A P4 paraméter aktiválásával az összes időprogram visszaállítható a leszállításkori állapotba.

P5: A fűtés relatív időtartamának visszaállítása

A P5 paraméter aktiválásával a fűtés relatív időtartamának (I2) számlálóját nullázhatjuk le.

6. Tisztítás, ápolás és karbantartás

A készülék nem tartalmaz felhasználó által karbantartandó alkatrészeket.

**Anyagi kár**

- Ne permetezzen tisztító aeroszolt a légrésekbe.
- Vigyázzon, nehogy nedvesség kerüljön a készülékbe.

- Amennyiben a készülékházon halvány barnás elszíneződések jelennek meg, azokat nedves ronggyal törölje le.
- A készüléket lehűlt állapotban tisztítsa, szokványos tisztítószerekkel. Kerülje a súroló és maró hatású szereket.

**Megjegyzés**

Javasoljuk, hogy a rendszeres karbantartás során az ellenőrző és szabályozó szerkezeteket is ellenőriztesse.

- ▶ Legkésőbb az első üzembe helyezéstől számított 10 éven belül, szakemberrel ellenőriztesse a biztonsági, ellenőrző és szabályozó szerkezeteket.

7. Hibaelhárítás

Probléma	Ok	Elhárítás
A helyiség nem melegszik fel kellőképpen. A készülék nem melegedik fel.	A hőmérséklet túl alacsonyra van beállítva. Nincs feszültségellátás.	Ellenőrizze a beállított helyiség-hőmérsékletet. Szükség esetén állítsa után. Ellenőrizze a hálózati kapcsoló beállítását, az áram-védőkapcsolót és a házi vezetékrendszerben lévő biztosítékokat.
A helyiség nem melegszik fel kellőképpen, bár a készülék felforrósodik.	Túlmelegedés. A biztonsági hőmérsékletkorlátozó korlátozza a fűtőtellejteményt. A helyiség hőigénye nagyobb a készülék teljesítményénél.	Szüntesse meg a kiváltó okot (a levegő beszívó- vagy kifúvónyílásainak elszennyeződése vagy letakarása). Vegye figyelembe a minimális távolságokat! Szüntesse meg a hővesztéseket (csukja be az ablakokat és az ajtókat. Kerülje a hosszasan tartó szellőztetést).
A helyiség túlságosan fellemelegszik.	A hőmérséklet a készüléken túl magasra van beállítva. A helyiség észlelt hőmérséklete eltér a tényleges értéktől.	Ellenőrizze a beállított helyiség-hőmérsékletet. Szükség esetén állítsa után. Távolítsa el a légcserét akadályozó tárgyakat a készülék és a helyiség levegő közül.
Az „Nyitott ablak észlelése” funkció nem reagál.	Szellőztetés hatására a készülék nem érzékel jelentős hőmérséklet-csökkenést. (A „Nyitott ablak észlelése” funkció működésének előfeltétele az előzetesen beállított egyenletes helyiség-hőmérséklet).	A készülék beállításait követően várjon egy ideig, amíg a helyiség hőmérséklete teljesen nem stabilizálódik. Távolítsa el a légcserét akadályozó tárgyakat a készülék és a helyiség levegő közül. A szellőztetés időtartamára kézzel kapcsolja a készüléket készenléti üzemmódba.
	Nem aktiválták a „Nyitott ablak észlelése” funkciót.	Az alapmenüben kapcsolja be a „Nyitott ablak észlelése” funkciót.
Az „Adaptív indítás” nem az elvárások szerint működik.	A funkció csak programozott üzemmódban fejti ki hatását. A helyiség hőmérséklete erősen ingadozik, illetve a készülék tanulási folyamata még nem fejeződött be. Nem aktiválták az „Adaptív indítás” funkciót.	Használja a programozott üzemmódot az optimális fűtési kényelem érdekében. Várjon néhány napig, amíg a készülék működése nem stabilizálódik. Az alapmenüben kapcsolja be az „Adaptív indítás” funkciót.
A készülék az „FP” programban működik, azonban nem reagál a külső bemenetre adott jelre.	Ha a készülék nem érzékel jelet a külső bemeneten, akkor kényelmi üzemmódban fűt.	Ellenőrizze a külső vezérlő-készüléket és annak beállításait. A huzalozást szabályosan kell kivitelezni, ügyelve a pólusokra.
A kijelzőn „Err” vagy „E...” látható.	A készülék belső hibát észlelt.	Forduljon szakemberhez.

Ha az okokat nem tudja elhárítani, hívjon szakembert. A jobb és gyorsabb segítség érdekében adja meg a típustáblán látható gyári számot (000000-0000-000000).

TELEPÍTÉS

8. Biztonság

A készülék telepítését, üzembe helyezését, illetve karbantartását és javítását csak szakember végezheti el.

8.1 Általános biztonsági tudnivalók

A kifogástalan működést és üzembiztonságot csak abban az esetben garantáljuk, ha a készülékhez az ajánlott tartozékokat és cseralkatrészeket használják.



VIGYÁZAT Égési sérülés

- A készüléket kizárólag függőleges, legalább 85 °C hőmérsékletet elviselő falra szerelje fel.
- Tartsa be a környező tárgyak felületétől tartandó kötelező minimális távolságot.



Anyagi kár

- A készüléket ne szerelje közvetlenül fali csatlakozóaljzat alá.
- Ügyeljen arra, hogy a bekötőkábel ne érjen hozzá a készülék részeihez.

8.2 Előírások, szabványok és rendelkezések



Megjegyzés

Tartsa be minden nemzeti és helyi előírást, illetve rendeletet.

9. A készülék leírása

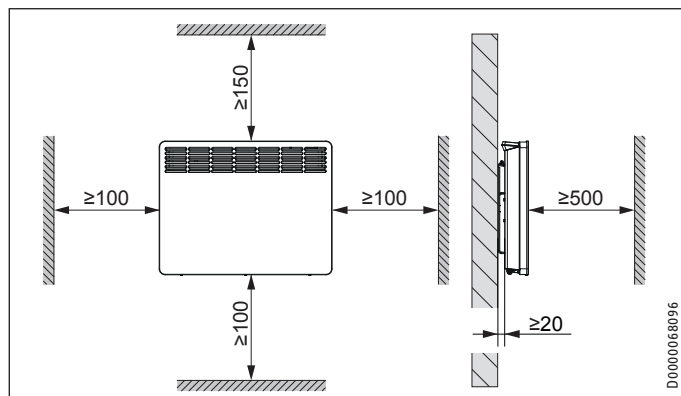
9.1 Szállítási terjedelem

A készülékkel szállított tartozékok:

- Fali tartó (a készüléken beakasztva)

10. Szerelés

10.1 Minimális távolságok



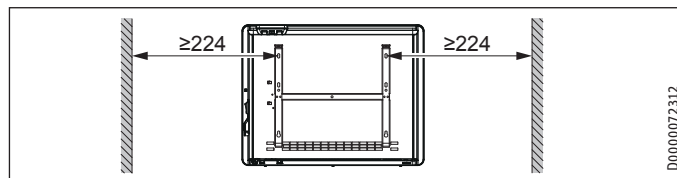
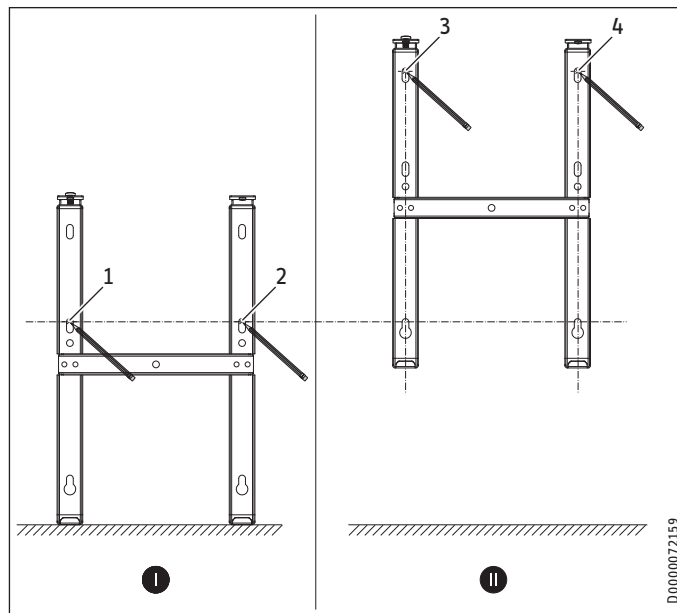
10.2 A fali tartó felszerelése

A készüléket falra kell szerelni a készletben található fali tartó segítségével. A készüléket csak vízszintesen szabad felszerelni.



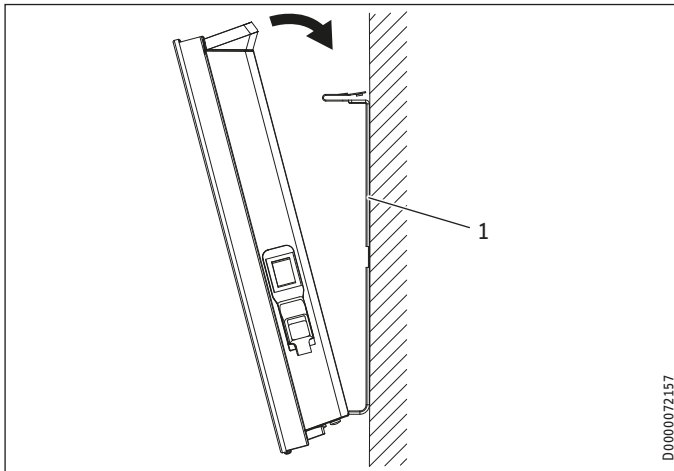
Megjegyzés

- A fali tartó sablonként is használható a falra rögzítéshez. Ez biztosítja a padlótól szükséges távolságot.
- Egyenletlen vagy ferde padló esetén használjon víz-mértéket.



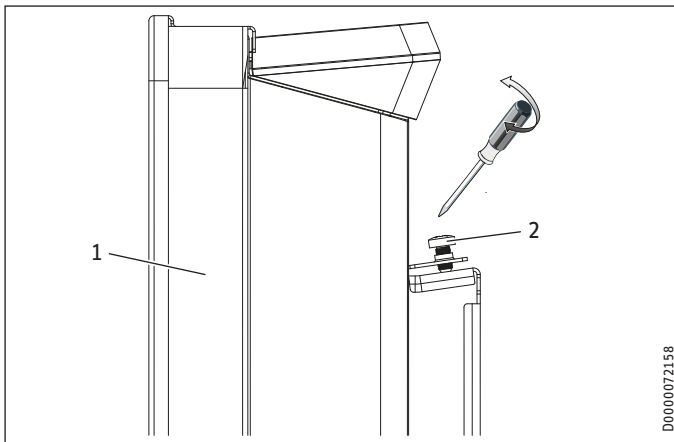
- ▶ Akassza ki a fali tartót a készülékből.
- ▶ Állítsa a középpontosan beigazított fali tartót függőlegesen a földre. Jelölje meg az 1-es és 2-es furatot.
- ▶ Emelje fel a fali tartót úgy, hogy annak alsó furatai fedésben legyenek a falra az imént felvitt jelölésekkel.
- ▶ Jelölje meg a 3-as és 4-es furatot a falon.
- ▶ Fúrja ki a lyukakat a 4 jelölésnél.
- ▶ Rögzítse a fali tartót a megfelelő rögzítő anyagokkal (csavarok, dübelek). A függőleges hosszúkás lyukakkal kiegyenlítheti a rögzítő furatok félrecsúszásait.

10.3 A készülék felszerelése



1 Fali tartó

- ▶ Akassza a készüléket a hátfalában található tartóhornyokkal a fali tartó alsó nyelveire.
- ▶ Állítsa a készüléket függőleges helyzetbe.
- ▶ A rögzítéshez nyomja a készüléket a felerősítésre szolgáló fal irányába, amíg az hallhatóan be nem kattant a fali tartó két felső rugójába.



1 Készülék
2 Biztonsági csavar

- ▶ A készletben található biztosítócsavarral rögzítse a készüléket a fali tartó bal oldalán, megakadályozva a készülék akaratlan leaszását.

10.4 A készülék leszerelése

- ▶ Ha lazítsa meg és vegye ki a biztosítócsavart a fali tartóból.
- ▶ Lazítsa meg a készüléket, a fali tartón felül felszerelt rugókat lefelé nyomva.
- ▶ Billentse a készüléket előre és emelje le azt a fali tartó alsó nyelveiről.

10.5 Elektromos csatlakozás



FIGYELMEZTETÉS Áramütés

- Minden villamos bekötési és szerelési munkát a vonatkozó előírásoknak megfelelően kell elvégezni.
- Fix bekötés esetén a készüléket egy minden pólust legalább 3 mm érintkezési távolsággal bontani képes megszakítóval le kell tudni választani a hálózatról.
- Tilos a készüléket fix elektromos bekötéssel csatlakoztatni.



Megjegyzés

- Vegye figyelembe a típustábla értékeit. A rendelkezésre álló tápfeszültségnek meg kell egyeznie a hálózati feszültséggel.
- Figyeljen a megfelelő vezeték-keresztmetszettel kiépített elektromos rendszer meglétére.

10.5.1 CWM P sorozat

A készüléket működésre kész állapotban szállítjuk. Az elektromos csatlakoztatás a következő módokon megengedett:

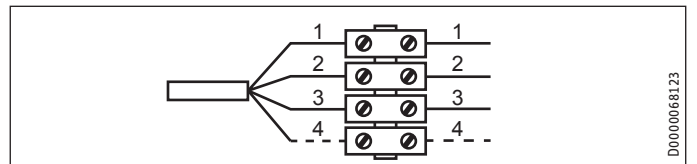
	CWM 500-3000 P
Csatlakoztatás szabadon hozzáférhető földelt konnektorba megfelelő csatlakozódugóval	X
Fix bekötés védővezetékekkel rendelkező csatlakozódobozba	X

- Csatlakozóaljzatba való bekötéskor ügyeljen arra, hogy a készülék felszerelését követően a csatlakozóaljzat könnyen hozzáférhető legyen.
- A készülék fix bekötésekor rövidítse le a hálózati tápkábelt, annyira, hogy az éppen elérje a készülék csatlakozóaljzatát. A hálózati tápkábel megrövidítésénél figyeljen arra, hogy a készüléket a falról probléma nélkül le lehessen venni.

10.5.2 CWM U sorozat

A készüléket csatlakozódugó nélküli hálózati csatlakozókábellel szállítjuk le.

- ▶ Fix bekötés esetén az ábra szerint csatlakoztassa a 4 eres kábelt egy készülékaljzathoz:



- 1 Nullavezető = kék
- 2 Fázis = barna
- 3 Védővezető = zöld-sárga
- 4 Vezérlőkábel = fekete

A készüléket 3-féleképpen lehet csatlakoztatni:

- A készülék csatlakoztatása vezérlőkábel nélkül




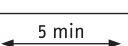
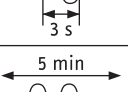
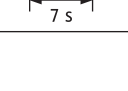
Nem vezérelt készülék. A vezérlőkábel nincs bekötve. Ebben az esetben szigetelje a vezérlőkábelt.

- Hőmérséklet-csökkenés a vezérlőkábelben keresztül

A beállított csökkentett hőmérsékletre való csökkentéshez a fekete vezérlővezeték külső elektronikus érintkező (például időkapcsoló óra) működteti.

- A vezérlővezeték csatlakoztatása külső vezérlőkészülékhez

A készülék csatlakoztatható minden olyan vezérlőkészülékhez, amely vezérlőjelként a következő formájú jeleket bocsájtja ki.

Utasítás	Oscilloszkóp	Üzem mód	Fűtési hőmérséklet
Nincs áram		Kényelmi üzemmód	A beállított kényelmi hőmérséklettől függően
Teljes hullám 230 V		Csökkentett üzemmód	A beállított csökkentett hőmérséklettől függően
Negatív félhullám -115 V		Fagyvédelem	Fagyvédelmi hőmérséklet
Pozitív félhullám 115 V		Stop	Nincs
Teljes hullám 230 V 3 mp-ig		Kényelmi üzemmód - 1 °C	1 °C-kal alacsonyabb a beállított kényelmi hőmérsékletnél
Teljes hullám 230 V 7 mp-ig		Kényelmi üzemmód - 2 °C	2 °C-kal alacsonyabb a beállított kényelmi hőmérsékletnél

11. Üzembe helyezés

A készülék üzemkész, amint rögzítették a felszerelésre előirányzott falon és elektromoson bekötötték azt.

► Húzza le a védőfóliát a kezelőegységről.

12. Hibaelhárítás

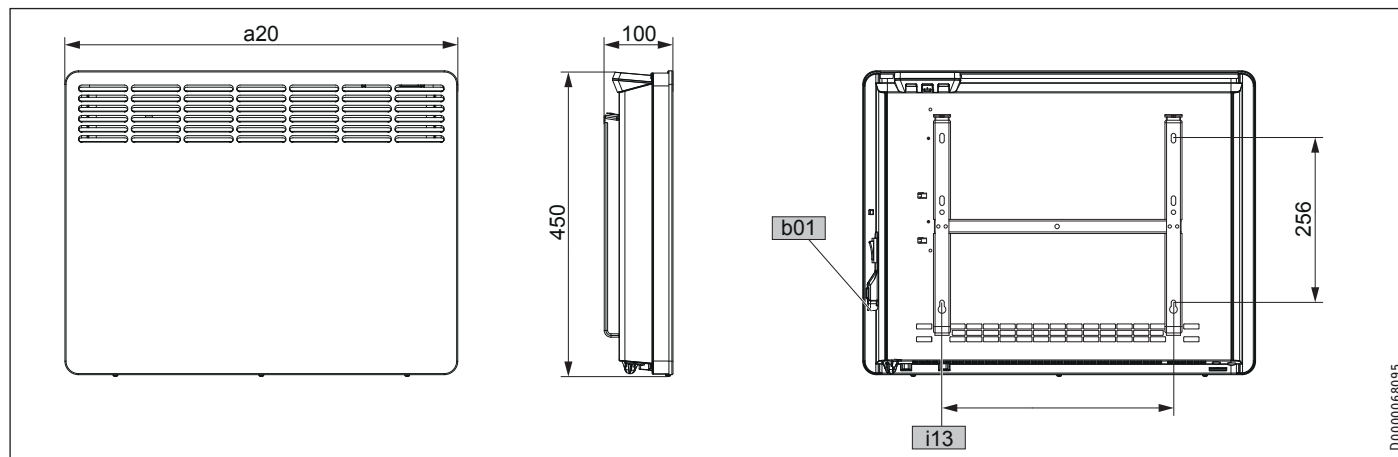
A hálózati tápkábelt – pl. annak meghibásodása esetén – csak a gyártó által jóváhagyott szakszerelő cserélheti ki, eredeti pótkatrész felhasználásával.

13. A készülék átadása

Mutassa be a felhasználónak a készülék funkcióit. Külön hívja fel a figyelmét a biztonsági szempontokra. Adja át a felhasználónak a kezelési és telepítési útmutatót.

14. Műszaki adatok

14.1 Méretek és csatlakozók



			CWM 500 P/U	CWM 750 P/U	CWM 1000 P/U	CWM 1500 P/U	CWM 2000 P/U	CWM 2500 P/U	CWM 3000 P/U	
a20	Készülék	Szélesség	mm	348	426	426	582	738	894	1050
i13	Fali felfüggesztés	Vízszintes lyuktávolság	mm	101	179	179	335	491	647	803
b01	Elektr. vezetékek átvezetése									

14.2 Energiafogyasztási adatok

A termékadatok teljesítik az energiával kapcsolatos termékek környezetbarát tervezésére vonatkozó uniós előírásokat.

		CWM 500 P/U	CWM 750 P/U	CWM 1000 P/U	CWM 1500 P/U	CWM 2000 P/U	CWM 2500 P/U	CWM 3000 P/U	
CWM P		200254	200255	200256	200257	200258	200259	200260	
CWM U		200261	200262	200263	200264	200265	200266	200267	
Gyártó		STIEBEL ELTRON	STIEBEL ELTRON	STIEBEL ELTRON	STIEBEL ELTRON	STIEBEL ELTRON	STIEBEL ELTRON	STIEBEL ELTRON	
Hőteljesítmény									
Névleges hőteljesítmény P_{nom}	kW	0,5	0,8	1,0	1,5	2,0	2,5	3,0	
Minimális hőteljesítmény (irányadó érték) P_{min}	kW	0,0	0,0	0,0	0,0	0,0	0,0	0,0	
Maximális folyamatos hőteljesítmény $P_{max,c}$	kW	0,5	0,8	1,0	1,5	2,0	2,5	3,0	
Saját áramfogyasztás									
Névleges hőteljesítménynél e_{lmax}	kW	0,000	0,000	0,000	0,000	0,000	0,000	0,000	
Minimális hőteljesítménynél e_{lmin}	kW	0,000	0,000	0,000	0,000	0,000	0,000	0,000	
Készenléti állapotban e_{lsb}	kW	0,000	0,000	0,000	0,000	0,000	0,000	0,000	
A hőteljesítmény jellege/helyiség hőmérséklet-ellenőrzés									
Egyfokozatú hőteljesítmény, nincs helyiség hőmérséklet-ellenőrzés		-	-	-	-	-	-	-	
Kettő vagy több manuálisan beállítható fokozat, nincs helyiség hőmérséklet-ellenőrzés		-	-	-	-	-	-	-	
Helyiség hőmérséklet-ellenőrzés mechanikus hőfokszabályozóval		-	-	-	-	-	-	-	
Elektronikus helyiség hőmérséklet-ellenőrzéssel		-	-	-	-	-	-	-	
Elektronikus helyiség hőmérséklet-ellenőrzés és napszak szerinti szabályozás		-	-	-	-	-	-	-	
Elektronikus helyiség hőmérséklet-ellenőrzés és a hét napjai szerinti szabályozás		x	x	x	x	x	x	x	
Egyéb szabályozási lehetőségek									
Helyiség hőmérséklet-ellenőrzés jelenlét-észleléssel		-	-	-	-	-	-	-	
Helyiség hőmérséklet-ellenőrzés nyitott ablak észleléssel		x	x	x	x	x	x	x	
Távükkötetési lehetőséggel		-	-	-	-	-	-	-	
A fűtés kezdetének adaptív szabályozásával		x	x	x	x	x	x	x	
Üzemidő-korlátozással		-	-	-	-	-	-	-	
Sugárzáshőmérővel		-	-	-	-	-	-	-	

14.3 Adattábla

		CWM 500 P/U	CWM 750 P/U	CWM 1000 P/U	CWM 1500 P/U	CWM 2000 P/U	CWM 2500 P/U	CWM 3000 P/U
CWM P		200254	200255	200256	200257	200258	200259	200260
CWM U		200261	200262	200263	200264	200265	200266	200267
Elektromos adatok								
Csatlakozóteljesítmény	W	500	750	1000	1500	2000	2500	3000
Hálózati bekötés		1/N/PE ~ 230 V	1/N/PE ~ 230 V	1/N/PE ~ 230 V	1/N/PE ~ 230 V	1/N/PE ~ 230 V	1/N/PE ~ 230 V	1/N/PE ~ 230 V
Névleges áramerősség	A	2,2	3,3	4,3	6,5	8,7	10,9	13,0
Frekvencia	Hz	50/-	50/-	50/-	50/-	50/-	50/-	50/-
Méretetek								
Magasság	mm	450	450	450	450	450	450	450
Szélesség	mm	348	426	426	582	738	894	1050
Mélység	mm	100	100	100	100	100	100	100
Súlyadatok								
Tömeg	kg	4,0	4,6	4,6	6,0	7,7	9,2	10,9
Kivitelek								
Fagyvédelmi állás	°C	7	7	7	7	7	7	7
Kivitel		falra szerelt készülék	falra szerelt készülék	falra szerelt készülék	falra szerelt készülék	falra szerelt készülék	falra szerelt készülék	falra szerelt készülék
Védettség (IP)		IP24	IP24	IP24	IP24	IP24	IP24	IP24
Védettségi osztály		I	I	I	I	I	I	I
Szín		alpesi fehér	alpesi fehér	alpesi fehér	alpesi fehér	alpesi fehér	alpesi fehér	alpesi fehér
Értékek								
Beállítási tartomány	°C	5-30	5-30	5-30	5-30	5-30	5-30	5-30

Garancia

A Németországon kívül vásárolt készülékekre nem érvényesek cégünk németországi vállalatának garanciális feltételei. Az olyan országokban, amelyekben termékeinket egy leányvállalatunk terjeszti, a garanciát elsősorban a leányvállalatunk biztosítja. Garancia csak akkor nyújtható, ha az adott leányvállalat kiadta saját garanciális feltételeit. Azon felül semmilyen garanciát nem nyújtunk.

Az olyan készülékekre nem tudunk garanciát biztosítani, amelyek olyan országokban vásároltak meg, amelyekben nincs leányvállalatunk. Ezek a rendelkezések nem érintik az importőr által biztosított esetleges garanciát.

Környezetvédelem és újrahasznosítás

Kérjük, segítsen a környezet védelmében. Használat után az anyagokat a helyi hatósági előírások szerint kell hulladékba juttatni.

СПЕЦИАЛЬНЫЕ УКАЗАНИЯ

ЭКСПЛУАТАЦИЯ

1. Общие указания	84
1.1 Указания по технике безопасности	84
1.2 Другие обозначения в данной документации	84
1.3 Указания на приборе	84
1.4 Единицы измерения	84
2. Техника безопасности	84
2.1 Использование по назначению	84
2.2 Общие указания по технике безопасности	85
2.3 Знак технического контроля	85
3. Описание устройства	85
4. Эксплуатация	86
4.1 Блок управления	86
4.2 Включение и выключение прибора	87
4.3 Режим ожидания	87
5. Настройки	87
5.1 Стандартная индикация	87
5.2 Основное меню	87
5.3 Меню конфигурации	88
6. Чистка, уход и техническое обслуживание	89
7. Поиск и устранение проблем	90

УСТАНОВКА

8. Техника безопасности	90
8.1 Общие указания по технике безопасности	90
8.2 Предписания, стандарты и положения	90
9. Описание устройства	90
9.1 Комплект поставки	90
10. Монтаж	91
10.1 Минимальные расстояния	91
10.2 Монтаж настенной монтажной планки	91
10.3 Монтаж прибора	91
10.4 Демонтаж прибора	92
10.5 Электрическое подключение	92
11. Ввод в эксплуатацию	93
12. Поиск и устранение неисправностей	93
13. Передача устройства	93
14. Технические характеристики	93
14.1 Размеры и подключения	93
14.2 Характеристики энергопотребления	94
14.3 Таблица параметров	94

ГАРАНТИЯ

ЗАЩИТА ОКРУЖАЮЩЕЙ СРЕДЫ И УТИЛИЗАЦИЯ

СПЕЦИАЛЬНЫЕ
УКАЗАНИЯ

- Прибор должен находиться вне досягаемости детей в возрасте до 3 лет, если они остаются без постоянного присмотра взрослых.
- Детям в возрасте от 3 до 7 лет разрешено включать и выключать прибор только под присмотром взрослых или после соответствующего инструктажа о правилах безопасного пользования и потенциальной опасности в случае несоблюдения этих правил. Непременным условием является монтаж прибора, выполненный в соответствии с указаниями настоящего руководства. Детям в возрасте от 3 до 7 лет запрещено включать штекерную вилку в розетку и выполнять регулирование прибора.
- Детям старше 8 лет, а также лицам с ограниченными физическими и умственными способностями, не имеющим опыта и не владеющим информацией о приборе, разрешено использовать прибор только под присмотром других лиц или после соответствующего инструктажа о правилах безопасного пользования и потенциальной опасности в случае несоблюдения этих правил.
- Не допускать шалостей детей с прибором. Дети могут выполнять чистку прибора и те виды технического обслуживания, которые обычно производятся пользователем, только под присмотром взрослых.
- Элементы прибора могут нагреваться до высоких температур и вызывать ожоги. Особая осторожность необходима там, где есть дети, инвалиды и лица пожилого возраста.
- Запрещено накрывать прибор, это может привести к его перегреву.

- Не устанавливать прибор непосредственно под настенной розеткой.
- При неразъемном способе соединения устройство должно отключаться от сети питания с раствором всех контактов не менее 3 мм.
- При повреждении кабеля питания или необходимости его замены выполнять эти работы должен только специалист, уполномоченный производителем, и только с использованием оригинального кабеля.
- Закрепить прибор, как описано в главе «Установка / Монтаж».

ЭКСПЛУАТАЦИЯ

1. Общие указания

Главы «Специальные указания» и «Эксплуатация» предназначены для пользователя и специалиста.

Глава «Установка» предназначена для специалиста.



Указание

Перед началом эксплуатации следует внимательно прочитать данное руководство и сохранить его. При необходимости передать настоящее руководство следующему пользователю.

1.1 Указания по технике безопасности

1.1.1 Структура указаний по технике безопасности



СИГНАЛЬНОЕ СЛОВО Вид опасности
Здесь приведены возможные последствия несоблюдения указания по технике безопасности.
▶ Здесь приведены мероприятия по предотвращению опасности.

1.1.2 Символы, вид опасности

Символ	Вид опасности
	Травма
	Поражение электрическим током
	Ожог (ожог, обваривание)

1.1.3 Сигнальные слова

СИГНАЛЬНОЕ СЛОВО	Значение
ОПАСНОСТЬ	Указания, несоблюдение которых приводит к серьезным травмам или к смертельному исходу.
ПРЕДУПРЕЖДЕНИЕ	Указания, несоблюдение которых может привести к серьезным травмам или к смертельному исходу.
ОСТОРОЖНО	Указания, несоблюдение которых может привести к травмам средней тяжести или к легким травмам.

1.2 Другие обозначения в данной документации



Указание

Общие указания обозначены приведенным рядом с ними символом.

- ▶ Следует внимательно прочитать тексты указаний.

Символ	Значение
	Материальный ущерб (повреждение оборудования, косвенный ущерб и ущерб окружающей среде)
	Утилизация устройства

- ▶ Этот символ указывает на необходимость выполнения определенных действий. Описание необходимых действий приведено шаг за шагом.

1.3 Указания на приборе

Символ	Значение
	Не накрывать прибор

1.4 Единицы измерения



Указание

Если не указано иное, все размеры приведены в миллиметрах.

2. Техника безопасности

2.1 Использование по назначению

Прибор предназначен для обогрева жилых помещений.

Прибор предназначен для бытового использования. Для его безопасного обслуживания пользователю не требуется проходить инструктаж. Возможно использование прибора не только в быту, но и, например, на предприятиях малого бизнеса при условии соблюдения тех же условий эксплуатации.

Любое иное или не указанное в настоящем руководстве использование данного устройства считается использованием не по назначению. Использование по назначению подразумевает соблюдение требований настоящего руководства, а также руководств к используемым принадлежностям.

2.2 Общие указания по технике безопасности



ПРЕДУПРЕЖДЕНИЕ травма

- Прибор должен находиться вне досягаемости детей в возрасте до 3 лет, если они остаются без постоянного присмотра взрослых.
- Детям в возрасте от 3 до 7 лет разрешено включать и выключать прибор только под присмотром взрослых или после соответствующего инструктажа о правилах безопасного пользования и потенциальной опасности в случае несоблюдения этих правил. Непременным условием является монтаж прибора, выполненный в соответствии с указаниями настоящего руководства. Детям в возрасте от 3 до 7 лет запрещено включать штекерную вилку в розетку и выполнять регулирование прибора.
- Детям старше 8 лет, а также лицам с ограниченными физическими и умственными способностями, не имеющим опыта и не владеющим информацией о приборе, разрешено использовать прибор только под присмотром других лиц или после соответствующего инструктажа о правилах безопасного пользования и потенциальной опасности в случае несоблюдения этих правил.
- Не допускать шалостей детей с прибором. Дети могут выполнять чистку прибора и те виды технического обслуживания, которые обычно производятся пользователем, только под присмотром взрослых.



ПРЕДУПРЕЖДЕНИЕ травма

В закрытых помещениях температура очень быстро может подняться до высокого значения. Если прибор используется в помещении небольшого размера, а находящиеся там люди не могут самостоятельно отрегулировать прибор или покинуть помещение, то работающий прибор должен находиться под постоянным присмотром.



ПРЕДУПРЕЖДЕНИЕ ожог

Запрещено использовать прибор...

- Если не выдержаны минимально допустимые расстояния до ближайших предметов и легковоспламеняющихся материалов.
- в помещениях, где из-за наличия химических веществ, пыли, газов или паров есть опасность воспламенения или взрыва. Необходимо хорошо проветрить помещение перед нагревом.
- в непосредственной близости от трубопроводов или емкостей для транспортировки или хранения горючих и взрывоопасных материалов.
- при повреждении конструктивного элемента прибора, падении прибора или нарушении его работы.



ПРЕДУПРЕЖДЕНИЕ ожог

- Запрещено класть на прибор или в непосредственной близости от него горючие, легко воспламеняющиеся или теплоизоляционные предметы либо материалы.
- Убедиться, что ничто не препятствует прохождению воздуха через выпускное и выпускное отверстие.
- Не вставлять предметы между прибором и стеной.



ПРЕДУПРЕЖДЕНИЕ ожог

Прибор не предназначен для установки на полу. Эксплуатировать прибор можно исключительно после монтажа на входящую в комплект поставки настенную монтажную планку (см. главу «Установка / Монтаж»).



ОСТОРОЖНО ожог

Элементы прибора могут нагреваться до высоких температур и вызывать ожоги. Особая осторожность необходима там, где есть дети, инвалиды и лица пожилого возраста.



ПРЕДУПРЕЖДЕНИЕ - перегрев

Запрещено накрывать прибор, это может привести к его перегреву.



Материальный ущерб

- Следить, чтобы кабель питания не прикасался к прибору.
- Запрещено становиться на прибор.
- Прибор запрещено эксплуатировать под открытым небом.

2.3 Знак технического контроля

См. заводскую табличку на приборе.

Евразийское соответствие



Данный прибор соответствует требованиям безопасности технического регламента Таможенного союза и прошел соответствующие процедуры подтверждения соответствия.

3. Описание устройства

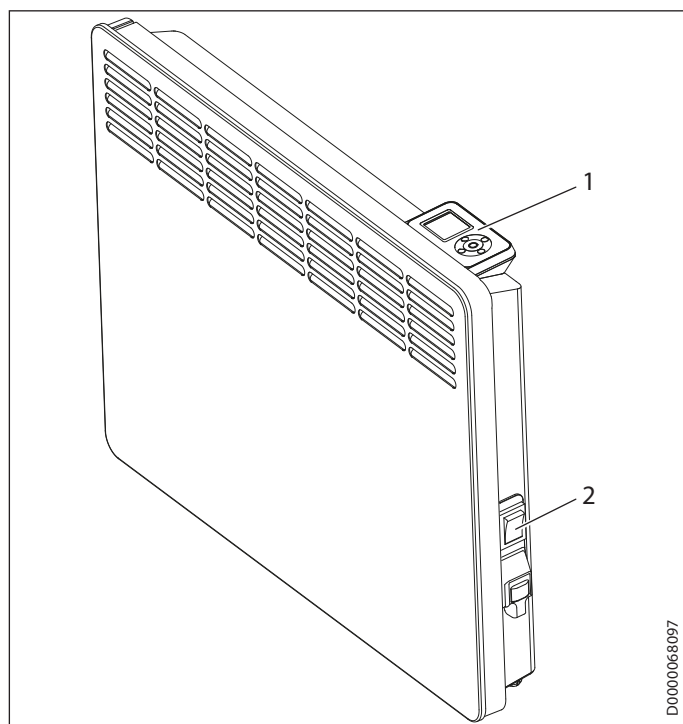
Изделие представляет собой настенный электрический отопительный прибор непосредственного действия.

Прибор предназначен, например, для постоянного или вспомогательного отопления небольших помещений.

Воздух в приборе нагревается с помощью нагревательного элемента и благодаря естественной конвекции выходит через расположенное в верхней части выпускное отверстие. Через входные отверстия в нижней части прибора поступает более холодный воздух из помещения.

Когда температура в помещении поднимается до заданного значения, далее прибор поддерживает ее периодическим включением режима нагрева.

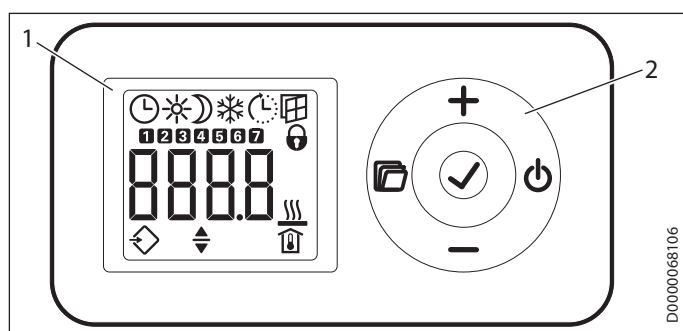
4. Эксплуатация



- 1 Блок управления
- 2 Сетевой выключатель

4.1 Блок управления

Пульт управления расположен справа в верхней части прибора.



- 1 Индикатор
- 2 Панель управления

4.1.1 Панель управления

Кнопка	Обозначение	Описание
	Кнопка «Режим ожидания»	Включение пульта управления; перевод пульта управления и отопительного прибора в режим ожидания
	Кнопка «ОК»	Выбор; подтверждение настроек
	Кнопка «Меню»	Вызов меню и выход из меню
	Кнопка «+»	вызов пунктов меню; изменение настроек
	Кнопка «-»	вызов пунктов меню; изменение настроек

4.1.2 Индикатор

Если в течение 20 секунд пользователь не выполняет никаких действий, фоновая подсветка выключается. Чтобы снова включить фоновую подсветку, достаточно нажать любую кнопку.

Символы

Символ	Описание
	Индикатор времени Отображает текущее время или запрограммированное время включения. Режим таймера Прибор производит нагрев в соответствии с активированной программой-таймером.
	Комфортная температура Прибор поддерживает заданную комфортную температуру. Стандартное значение 21,0 °С. Данную настройку для поддержания комфортной температуры в помещении используют во время присутствия там людей.
	Режим снижения температуры Прибор поддерживает заданную температуру с более низким значением. Стандартное значение 18,0 °С. Данную настройку используют для ночного времени или при отсутствии в помещении людей в течение нескольких часов.
	Защита от замерзания Если для заданной температуры в помещении выбрано значение 7,0 °С, появляется символ защиты от замерзания. Данную настройку используют для защиты помещения от замерзания в тот период, когда оно не используется.
	Адаптивное включение В режиме таймера периоды переключения отопительного прибора адаптируются таким образом, чтобы заданное значение температуры в помещении было достигнуто к моменту запрограммированного времени включения. Функция «Адаптивное включение» должна быть включена (см. главу «Настройки / Основное меню»).
	Обнаружение открытого окна Чтобы предотвратить ненужное энергопотребление во время проветривания, прибор распознает открытое окно и автоматически переключается на один час в режим защиты от замерзания. Символ «Обнаружение открытого окна» мигает. После проветривания можно вручную отключить режим защиты от замерзания при помощи кнопок «+», «-» или «ОК». Прибор снова начнет нагрев до заданного значения температуры в помещении. Условие Функция «Обнаружение открытого окна» должна быть включена (см. главу «Настройки / Основное меню»).
	Блокирование управления Для блокирования или деблокирования интерфейса пользователя нужно одновременно удерживать нажатыми в течение 5 секунд кнопки «+» и «-».
	Работает отопление Прибор производит нагрев до заданного значения температуры в помещении.
	Индикатор температуры в помещении
	Изменение параметра Отображенный параметр можно изменить при помощи кнопок «+» и «-».
	Внешний вход (FP) Приборы модельного ряда CWM U могут подключаться к внешнему блоку управления. В зависимости от заданных на внешнем блоке управления параметров в указанное время суток прибор будет осуществлять нагрев в разных режимах (комфортном, снижения температуры или защиты от замерзания).
	Дни недели 1 = понедельник, 2 = вторник... 7 = воскресенье

4.2 Включение и выключение прибора



Указание

При первичном вводе в эксплуатацию, а также после длительного перерыва в работе возможно кратковременное появление постороннего запаха.

Прибор готов к эксплуатации непосредственно после его монтажа на стену и подключения к электрической сети.

- ▶ Для включения и выключения прибора использовать сетевой выключатель на правой стороне прибора.
- ▶ Если прибор не будет использоваться длительное время (напр., в летние месяцы) то его необходимо выключить.

После выключения прибора или временного отключения электроснабжения все настройки прибора сохраняются. Прибор имеет определенный запас хода, позволяющий сохранять данные о днях недели и времени на протяжении нескольких часов.



Указание

Если прибор работал в режиме таймера и был выключен продолжительное время, то после включения появится указание о необходимости выполнить настройку дня недели и времени. До выполнения этой настройки прибор будет работать в комфортном режиме.

4.3 Режим ожидания



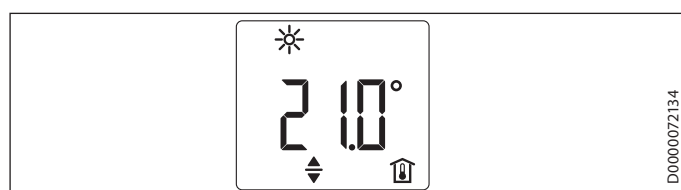
Материальный ущерб

В режиме ожидания прибор не может включить нагрев ни при каких обстоятельствах. Защита от замерзания при этом не выполняется.

- ▶ Для включения пульта управления нужно нажать кнопку «Режим ожидания». Отобразится стандартная индикация.
- ▶ Для перевода пульта управления и отопительного прибора в режим ожидания нужно нажать кнопку «Режим ожидания». Индикатор показывает «----».

5. Настройки

5.1 Стандартная индикация



Стандартная индикация отображается постоянно. Если пользователь вошел в меню и в течение 20 секунд не выполняет никаких действий, прибор автоматически переходит в режим стандартной индикации.

Стандартная индикация включает текущее заданное значение температуры в помещении и символ «Изменение параметра». Изменить заданное значение температуры в помещении можно при помощи кнопок «+» и «-».

Если заданное значение температуры в помещении соответствует заданному значению комфортного режима или значению снижения температуры, линейке меню появляется соответствующего режима работы (комфортного или снижения температуры).

В режиме таймера заданное значение температуры в помещении можно также изменить вручную. Измененное значение заданной температуры в помещении будет сохраняться до следующего запрограммированного пункта переключения.

5.2 Основное меню

Для входа в основное меню нужно нажать кнопку «Меню». После это можно вызвать следующие пункты меню:

Индикатор	Описание
	Установка дня недели и времени суток
	Настройка комфортной температуры Значение комфортной температуры должно быть установлено как минимум на 0,5 °C выше, чем значение снижения температуры.
	Настройка снижения температуры
	Включение и выключение функции «Обнаружение открытого окна»
	Выбор программы-таймера (Pro1, Pro2, Pro3, off) или внешнего входа (FP)
	Включение и выключение функции «Адаптивное включение»

При необходимости изменить настройки в пункте меню соответствующий пункт меню нужно вызвать кнопками «+» и «-». Нажать кнопку «OK».

При появлении символа «Изменение параметра» можно выполнить изменение настройки пункта меню, используя кнопки «+» и «-». Для сохранения настройки нажать кнопку «OK».

Для выхода из основного меню нужно нажать кнопку «Меню». Отобразится стандартная индикация.

5.3 Меню конфигурации

Индикатор	Описание
I1-I2	Фактические значения
Pro1-Pro3	Программы-таймеры
P1-P5	Параметр

В меню конфигурации можно вызвать фактические значения, запрограммировать работу в режиме таймера и настроить параметры.

Для входа в меню конфигурации нужно удерживать нажатой кнопку «Меню». Примерно через 3 секунды отобразится фактическое значение I1.

При помощи кнопок «+» и «-» можно выполнять переход между фактическими значениями, программами-таймерами и параметрами.

Для выхода из меню конфигурации нужно нажать кнопку «Меню». Отобразится стандартная индикация.

5.3.1 Фактические значения

Можно вызвать следующие фактические значения:

Индикатор	Описание	Единица
I1	Фактическая температура в помещении	[°C] [°F]
I2	Относительная длительность нагрева (сбросить счетчик можно через параметр P5)	[ч]



Указание

Счетчик относительной длительности нагрева (I2) ведет учет времени, когда прибор осуществляет нагрев, в полных часах. Если прибор выключен, учет фаз нагрева продолжительность менее 60 минут не ведется.

5.3.2 Программы-таймеры

Для работы в режиме таймера предлагаются три программы таймера. Программы-таймеры Pro1 и Pro2 предварительно сконфигурированы производителем. Программу-таймер Pro3 потребитель может задать по своему усмотрению.

Индикатор	Описание
Pro1	Программа-таймер «ежедневно» - повторение понедельник – воскресенье
Pro2	Программа-таймер «рабочие дни» - повторение понедельник – пятница
Pro3	Программа-таймер «задано пользователем» - свободная конфигурация до 14 фаз комфортного режима



Указание

Если не будет использоваться режим таймера, нужную программу необходимо выбрать в основном меню (см. главу «Настройки / Основное меню»).



Указание

При настройке программ-таймеров необходимо следить за правильностью ввода дней недели и времени.



Указание

Во всех программах-таймерах (Pro1, Pro2, Pro3) необходимо учитывать: если конечная точка временного окна находится после 23:59, то она автоматически переносится на следующий день недели. Фаза комфортного режима в полночь не прекращается и заканчивается в заданной конечной точке временного окна на следующий день недели.

Программы-таймеры Pro1 и Pro2

Программы-таймеры Pro1 и Pro2 дают возможность определить начальную и конечную точку временного окна комфортного режима. В этот период времени прибор осуществляет нагрев до заданной комфортной температуры. Вне заданного периода времени прибор работает в режиме снижения температуры. Эти периоды представляют собой фазу комфортного режима и фазу понижения температуры, повторяющиеся каждый день недели (Pro1) или каждый рабочий день (Pro2).

Заводская конфигурация предполагает следующие фазы:

- 8:00 – 22:00 Комфортная температура
- 22:00 – 8:00 Ночной режим



Указание

Если активирована программа-таймер Pro2, то все выходные прибор работает в режиме понижения температуры.

Для адаптации программ-таймеров Pro1 и Pro2 к потребностям потребителя нужно выполнить следующее:

- ▶ При помощи кнопок «+» и «-» вызвать нужную программу-таймер.
- ▶ Нажать кнопку «ОК». Появится индикация времени начальной точки временного окна комфортного режима.
- ▶ При помощи кнопок «-» и «+» задать нужное время начальной точки временного окна.
- ▶ Нажать кнопку «ОК». Появится индикация времени конечной точки временного окна комфортного режима.
- ▶ При помощи кнопок «-» и «+» задать нужное время конечной точки временного окна.
- ▶ Для сохранения нажать кнопку «ОК».

Программа-таймер Pro3

Программа-таймер Pro3 позволяет задать до 14 независимых фаз комфортного режима, которые будут повторяться еженедельно.

Для конфигурирования фазы комфортного режима в рамках программы-таймера Pro3 нужно выполнить следующее:

- ▶ При помощи кнопок «+» и «-» вызвать программу-таймер Pro3.
- ▶ Нажать кнопку «ОК». Индикатор показывает «3---».

- ▶ Нажать кнопку «ОК».
Появится индикация одного дня недели или группы из нескольких дней недели.
- ▶ При помощи кнопок «+» и «-» выбрать нужный день недели или группу из нескольких дней недели.
- ▶ Нажать кнопку «ОК».
Появится индикация времени начальной точки временного окна комфортного режима.
- ▶ При помощи кнопок «-» и «+» задать нужное время начальной точки временного окна.
- ▶ Нажать кнопку «ОК».
Появится индикация времени конечной точки временного окна комфортного режима.
- ▶ При помощи кнопок «-» и «+» задать нужное время конечной точки временного окна.
- ▶ Нажать кнопку «ОК».
Конфигурация фазы комфортного режима «3-01» выполнена.
- ▶ Для конфигурирования следующей фазы комфортного режима при помощи кнопок «+» и «-» выбрать индикацию «3---». Повторить описанные выше шаги.



Указание

Для сброса заданных фаз комфортного режима нужно активировать параметр P4.

- ▶ Следует учитывать, что при активации параметра P4 все программы-таймеры (Pro1, Pro2, Pro3) сбрасываются до заводских настроек.

5.3.3 Параметр

Можно вызвать следующие параметры:

Индикатор	Описание	Параметры
P1	Смещение температуры в помещении	$\pm 3\text{ }^{\circ}\text{C}$ $\pm 5\text{ }^{\circ}\text{F}$
P2	Формат времени	12 ч 24 ч
P3	Единица измерения температуры	$^{\circ}\text{C}$ $^{\circ}\text{F}$
P4	Сброс программ-таймеров (режима таймера)	ВКЛ ВЫКЛ
P5	Сброс относительной длительности нагрева	ВКЛ ВЫКЛ

При необходимости изменить значение параметра соответствующий параметр нужно вызвать кнопками «+» и «-». Нажать кнопку «ОК».

При появлении символа «Изменение параметра» можно выполнить изменение значения параметра, используя кнопки «+» и «-». Для сохранения настройки параметра нажать кнопку «ОК».

P1: Смещение температуры в помещении

Неравномерность температуры в помещении может стать причиной различия между отображаемой фактической температурой I1 и значением, полученным при измерении температуры в помещении другим устройством. Для компенсации этого различия через параметр P1 можно настроить смещение температуры в помещении на $\pm 3\text{ }^{\circ}\text{C}$.

Пример: Прибор показывает $I1 = 21,0\text{ }^{\circ}\text{C}$. При измерении температуры в помещении другим устройством результат равен $20,0\text{ }^{\circ}\text{C}$. Соответственно, различие составляет $1,0\text{ }^{\circ}\text{C}$.

- ▶ Для компенсации этого различия нужно настроить смещение $P1 = -1,0$.

P2: Формат времени

Через параметр P2 можно настроить формат индикации времени – 12 часов или 24 часа.

P3: Единица измерения температуры

Через параметр P3 можно настроить единицу измерения температуры – градус Цельсия [$^{\circ}\text{C}$] или градус Фаренгейта [$^{\circ}\text{F}$].

P4: Сброс программ-таймеров

При активации параметра P4 все программы-таймеры сбрасываются до заводских настроек.

P5: Сброс относительной длительности нагрева

При активации параметра P5 выполняется сброс счетчика относительной длительности нагрева (I2).

6. Чистка, уход и техническое обслуживание

В приборе нет деталей, требующих технического обслуживания пользователем.



Материальный ущерб

- Не распылять чистящее средство в воздухозаборные и выпускные отверстия.
- Не допускать попадания влаги внутрь прибора.

- Потемнения, появившиеся на корпусе прибора, можно удалить влажной тканевой салфеткой.
- Чистку прибора производить только после его охлаждения, используя обычные чистящие средства. Не использовать абразивные и едкие чистящие средства.



Указание

Мы рекомендуем во время плановых работ по техническому обслуживанию выполнять также проверку контролирующего и регулирующего устройств.

- ▶ Не позднее, чем через 10 лет после ввода прибора в эксплуатацию для проверки предохранительного, контролирующего и регулирующего устройства необходимо пригласить специалиста.

7. Поиск и устранение проблем

Проблема	Причина	Способ устранения
Температура в помещении остается низкой. Прибор не нагревается.	Установлена слишком низкая температура. Отсутствует питание.	Проверить настройку температуры в помещении. При необходимости изменить настройку. Проверить положение сетевого выключателя, УЗО и предохранители в электрической сети здания.
Температура в помещении остается низкой, хотя прибор при этом нагревается.	Перегрев. Предохранительный ограничитель температуры ограничивает мощность нагрева. Теплопотребление помещения выше, чем теплопотребление прибора.	Устранить причину (впускное или выпускное отверстие загрязнено, ограничено движение воздуха через впускное или выпускное отверстие). Необходимо соблюдать минимальные расстояния! (закрывать окна и двери, не допускать постоянного проветривания).
Температура в помещении слишком высокая.	Установлена слишком высокая температура. Температура в помещении, определяемая прибором, отличается от фактической температуры в помещении.	Проверить настройку температуры в помещении. При необходимости изменить настройку. Устранить ограничение движения воздуха через впускное или выпускное отверстие прибора.
Функция «Обнаружение открытого окна» не работает.	Прибор не обнаруживает существенного снижения температуры во время проветривания. (функция «Обнаружение открытого окна» предполагает, что до проветривания температура в помещении была постоянной).	После завершения настроек прибора необходимо немного подождать, пока температура в помещении не станет постоянной. Устранить ограничение движения воздуха через впускное или выпускное отверстие прибора. На время проветривания вручную переключить прибор в режим ожидания.
Функция «Адаптивное включение» не работает должным образом.	Эта функция работает только в режиме таймера. Значительные колебания температуры в помещении, прибор не завершил процесс запоминания. Функция «Адаптивное включение» не активирована.	Включить функцию «Обнаружение открытого окна» в основном меню. Для оптимизации комфортного отопления нужно использовать режим таймера. Подождать несколько дней, пока режим работы прибора не стабилизируется. Включить функцию «Адаптивное включение» в основном меню.
Включена программа «FP», но прибор не реагирует на сигналы внешнего входа.	Если прибор не распознает сигналов внешнего входа, он осуществляет нагрев в комфортном режиме.	Проверить внешний блок управления и его настройки. Проверить правильность электрического монтажа и полярность.
Индикатор показывает «Err» или «E...».	Обнаружена внутренняя ошибка.	Необходимо сообщить об этом специалисту.

Если невозможно устранить эту неисправность самостоятельно, нужно вызвать специалиста. Чтобы специалист смог оперативно помочь, следует сообщить ему номер прибора с заводской таблички (000000-0000-000000).

УСТАНОВКА

8. Техника безопасности

Установка, ввод в эксплуатацию, а также техническое обслуживание и ремонт прибора должны производиться только квалифицированным специалистом.

8.1 Общие указания по технике безопасности

Безупречная работа прибора и безопасность эксплуатации гарантируются только при использовании соответствующих оригинальных принадлежностей и оригинальных запчастей.



ОСТОРОЖНО ожог

- Выполнять монтаж прибора только на вертикальной стене с термостойкостью не менее 85 °С.
- Соблюдать минимальные безопасные расстояния до поверхностей близлежащих объектов.



Материальный ущерб

- Запрещено устанавливать прибор непосредственно под настенной розеткой.
- Не допускать контакта кабеля с элементами прибора.

8.2 Предписания, стандарты и положения



Указание

Необходимо соблюдать все национальные и региональные предписания и положения.

9. Описание устройства

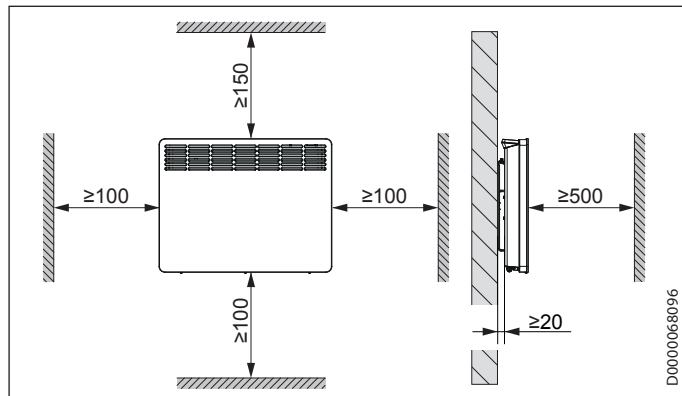
9.1 Комплект поставки

В комплект поставки прибора входят:

- настенный кронштейн (прикрепляется к прибору)

10. Монтаж

10.1 Минимальные расстояния

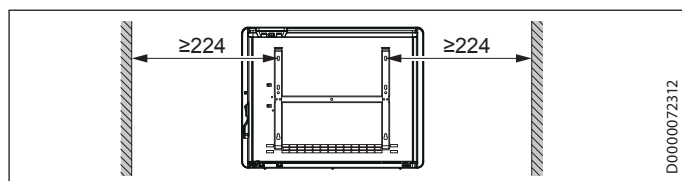
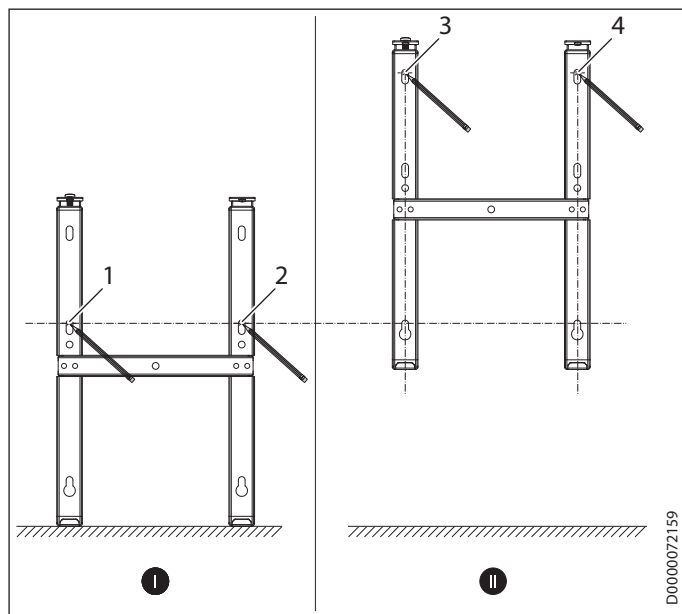


10.2 Монтаж настенной монтажной планки

Прибор предназначен для настенного монтажа с помощью настенной монтажной планки, входящей в комплект поставки. Производить монтаж прибора можно только в горизонтальном положении.

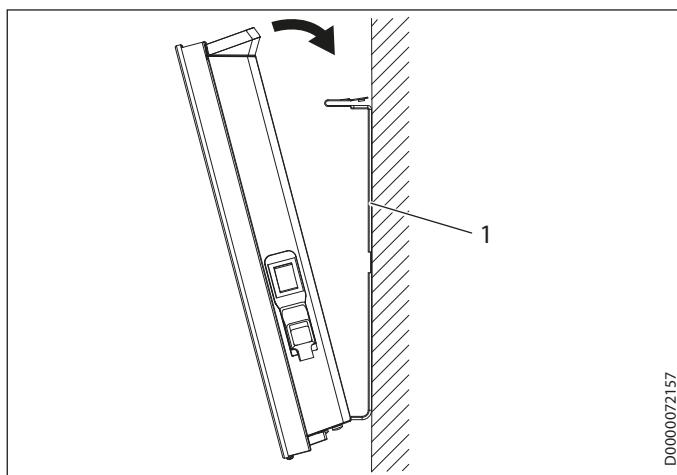
Указание

- Настенную монтажную планку можно использовать как шаблон для разметки крепежных отверстий на стене. Он гарантирует соблюдение требуемого расстояния до пола.
- Если пол неровный или имеет наклон, нужно использовать водяной уровень.



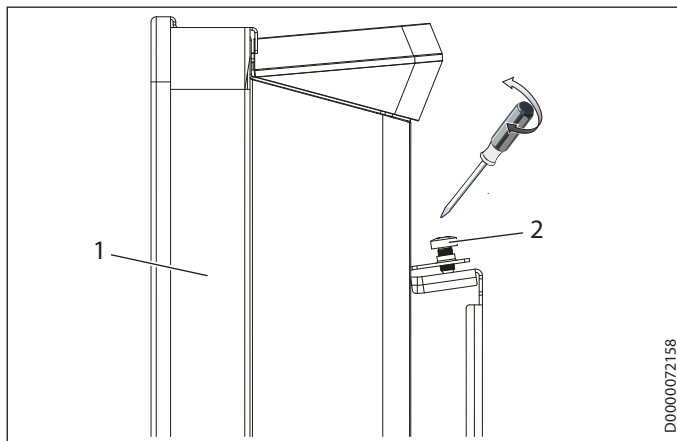
- ▶ Снять настенную монтажную планку с прибора.
- ▶ Установить настенную монтажную планку, ориентированную по центру, горизонтально на пол. Разметить отверстия 1 и 2.
- ▶ Поднять настенную монтажную планку вверх настолько, чтобы нижние отверстия настенной монтажной планки совпали с разметкой на стене, предназначенной для монтажа.
- ▶ Разметить отверстия 3 и 4 на стене, предназначенной для монтажа.
- ▶ Просверлить отверстия согласно 4 разметкам.
- ▶ Закрепить настенную монтажную планку с помощью соответствующего крепежного материала (шпур, дюбели). Благодаря вертикальным продольным прорезям можно компенсировать погрешности сверления.

10.3 Монтаж прибора



1 Настенная монтажная планка

- ▶ Подвесить прибор, продев через приемные прорези на тыльной стороне прибора два нижних язычка настенной монтажной планки.
- ▶ Прибор должен находиться в вертикальном положении.
- ▶ Для фиксации нажать на прибор по направлению к стене, чтобы обе верхних пружины настенной монтажной планки защелкнулись.



- 1 Устройство
- 2 Предохранительный винт

- ▶ Во избежание непредвиденного падения закрепить прибор с помощью прилагаемого предохранительного винта на левой стороне настенной монтажной планки.

10.4 Демонтаж прибора

- ▶ Ослабить и извлечь предохранительный винт из настенной монтажной планки.
- ▶ Чтобы снять прибор, следует нажать на пружины в верхней части настенной монтажной планки по направлению книзу.
- ▶ Опрокинуть прибор вперед и приподнять так, чтобы снять из нижних язычков настенной монтажной планки.

10.5 Электрическое подключение



ПРЕДУПРЕЖДЕНИЕ поражение электрическим током

- Все работы по электрическому подключению и установке необходимо производить в соответствии с инструкцией.
- При неразъемном способе соединения устройство должно отключаться от сети с раствором всех контактов не менее 3 мм.
- Установка со стационарно проложенным кабелем не допускается.



Указание

- Следует соблюдать данные на заводской табличке. Напряжение сети должно совпадать с указанным на табличке.
- Для подключения заказчик должен обеспечить провод соответствующего сечения.

10.5.1 Модельный ряд CWM P

Прибор поставляется готовым к подключению. Допустимы следующие варианты электрического подключения:

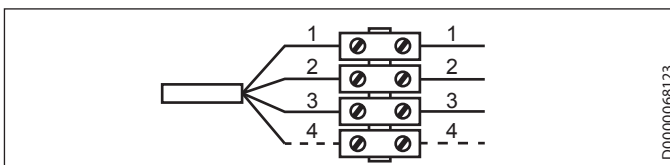
	CWM 500-3000 P
Подключение посредством штепсельной вилки к свободно доступной розетке с защитным контактом	X
Неразъемное подключение через приборную розетку с заземлением	X

- При подключении через розетку убедиться, что после установки прибора доступ к розетке будет свободным.
- При неразъемном подключении использовать кабель питания минимальной длины и подключать прибор напрямую к приборной розетке. При этом следует убедиться, что длина кабеля будет достаточной для монтажа устройства на стену.

10.5.2 Модельный ряд CWM U

Прибор поставляется с кабелем питания без вилки.

- ▶ При неразъемном способе соединения четырехпроводной кабель следует подключить к розетке, как показано на рисунке:



- 1 нулевой провод = синий
- 2 токонесущий провод = коричневый
- 3 защитный провод = желто-зеленый
- 4 провод линии управления = черный

Для подключения прибора можно использовать три варианта:

- подключение прибора без управляющего провода

Управление прибором не осуществляется. Линия управления не подключается. В таком случае следует изолировать провод линии управления.

- Снижение температуры посредством управляющего провода

Для снижения температуры до заданного значения черный управляющий провод получает сигнал управления от внешнего электронного устройства (например, таймера).

- Подсоединение управляющего провода к внешнему блоку управления

Прибор можно подключить к любому внешнему блоку управления, подающему сигнал управления представленным ниже форм.

Команда	Показания осциллоскопа	Режим работы	Температура нагрева
Нет питания		Комфортная температура	Согласно настройке комфортной температуры
Полнопериодное колебание 230 В		Ночной режим	Согласно настройке снижения температуры
Полупериод, отрицательный -115 В		Защита от заморозки	Температура режима антизаморозки
Полупериод, положительный +115 В		Стоп	Отсутствует
Полный период 230 В, 3 секунды		Комфортный режим -1 °C	На 1 °C ниже настройки комфортной температуры
Полный период 230 В, 7 секунд		Комфортный режим -2 °C	На 2 °C ниже настройки комфортной температуры

11. Ввод в эксплуатацию

Прибор готов к эксплуатации непосредственно после его крепления на стене и подключения к электрической сети.

- ▶ Снять защитную пленку с маски пульта управления.

12. Поиск и устранение неисправностей

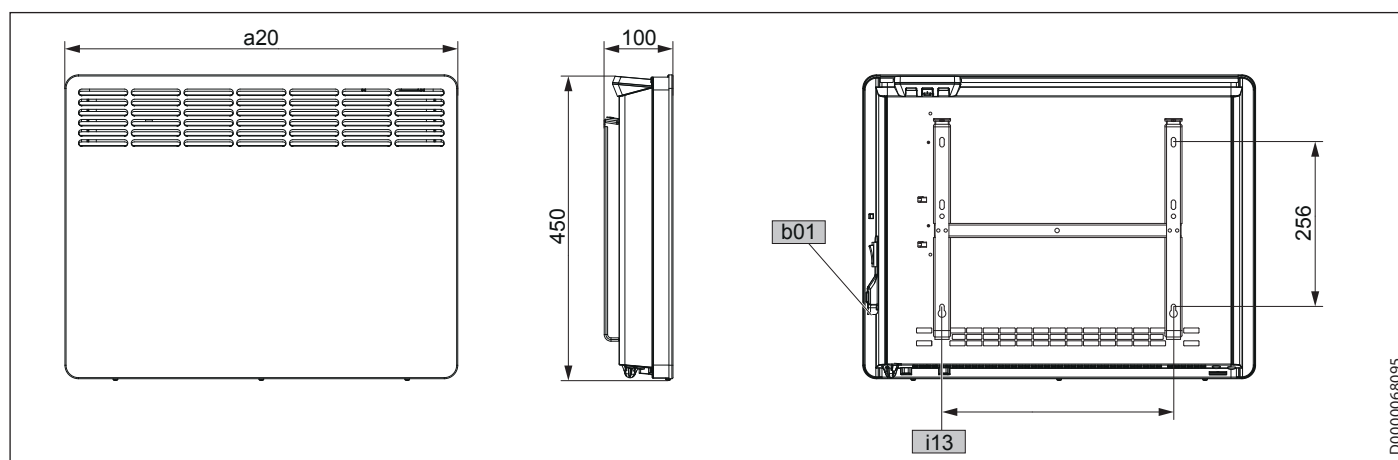
При повреждении кабеля питания или необходимости его замены выполнять эти работы должен только специалист, уполномоченный производителем, и только с использованием оригинального кабеля.

13. Передача устройства

Объяснить пользователю функции прибора. Особо обратить его внимание на указания по технике безопасности. Новому пользователю следует передать руководство по эксплуатации и монтажу.

14. Технические характеристики

14.1 Размеры и подключения



			CWM 500 P/U	CWM 750 P/U	CWM 1000 P/U	CWM 1500 P/U	CWM 2000 P/U	CWM 2500 P/U	CWM 3000 P/U
a20	Устройство	Ширина	мм	348	426	426	582	738	1050
i13	Настенная монтажная планка	Шаг отверстий по горизонтали	мм	101	179	179	335	491	803
b01	Ввод для электрических кабелей								

14.2 Характеристики энергопотребления

Характеристики изделия соответствуют регламентам директив ЕС, определяющих требования к экодизайну энергопотребляющей продукции (ErP).

		CWM 500 P/U	CWM 750 P/U	CWM 1000 P/U	CWM 1500 P/U	CWM 2000 P/U	CWM 2500 P/U	CWM 3000 P/U
CWM P		200254	200255	200256	200257	200258	200259	200260
CWM U		200261	200262	200263	200264	200265	200266	200267
Производитель		STIEBEL ELTRON	STIEBEL ELTRON	STIEBEL ELTRON	STIEBEL ELTRON	STIEBEL ELTRON	STIEBEL ELTRON	STIEBEL ELTRON
Теплопроизводительность								
Номинальная теплопроизводительность P_{nom}	кВт	0,5	0,8	1,0	1,5	2,0	2,5	3,0
Минимальная теплопроизводительность (ориентировочное значение) P_{min}	кВт	0,0	0,0	0,0	0,0	0,0	0,0	0,0
Макс. непрерывная теплопроизводительность $P_{max,c}$	кВт	0,5	0,8	1,0	1,5	2,0	2,5	3,0
Потребление тока вспомогательной электрической сети								
При номинальной теплопроизводительности eI_{max}	кВт	0,000	0,000	0,000	0,000	0,000	0,000	0,000
При минимальной теплопроизводительности eI_{min}	кВт	0,000	0,000	0,000	0,000	0,000	0,000	0,000
В режиме готовности eI_{SB}	кВт	0,000	0,000	0,000	0,000	0,000	0,000	0,000
Вид теплопроизводительности / контроль температуры в помещении								
Одноступенчатая теплопроизводительность, без контроля температуры в помещении		-	-	-	-	-	-	-
Две или более настраиваемые вручную ступени, без контроля температуры в помещении		-	-	-	-	-	-	-
Контроль температуры в помещении с механическим термостатом		-	-	-	-	-	-	-
С электронным контролем температуры в помещении		-	-	-	-	-	-	-
Электронный контроль температуры в помещении, с регулировкой по времени суток		-	-	-	-	-	-	-
Электронный контроль температуры в помещении, с регулировкой по дням недели		x	x	x	x	x	x	x
Другие опции регулировки								
Контроль температуры в помещении, с обнаружением присутствия людей		-	-	-	-	-	-	-
Контроль температуры в помещении, с обнаружением открытых окон		x	x	x	x	x	x	x
С пультом дистанционного управления (дополнительная комплектация)		-	-	-	-	-	-	-
С адаптивной регулировкой начала нагрева		x	x	x	x	x	x	x
С ограничением времени работы		-	-	-	-	-	-	-
С датчиком движения		-	-	-	-	-	-	-

14.3 Таблица параметров

		CWM 500 P/U	CWM 750 P/U	CWM 1000 P/U	CWM 1500 P/U	CWM 2000 P/U	CWM 2500 P/U	CWM 3000 P/U
CWM P		200254	200255	200256	200257	200258	200259	200260
CWM U		200261	200262	200263	200264	200265	200266	200267
Электрические характеристики								
Потребляемая мощность	Вт	500	750	1000	1500	2000	2500	3000
Питание от сети		1/N/PE ~ 230 В	1/N/PE ~ 230 В	1/N/PE ~ 230 В	1/N/PE ~ 230 В	1/N/PE ~ 230 В	1/N/PE ~ 230 В	1/N/PE ~ 230 В
Номинальный ток	А	2,2	3,3	4,3	6,5	8,7	10,9	13,0
Частота	Гц	50/-	50/-	50/-	50/-	50/-	50/-	50/-
Размеры								
Высота	мм	450	450	450	450	450	450	450
Ширина	мм	348	426	426	582	738	894	1050
Глубина	мм	100	100	100	100	100	100	100
Вес								
Вес	кг	4,0	4,6	4,6	6,0	7,7	9,2	10,9
Модификации								
Температура защиты от замерзания	°C	7	7	7	7	7	7	7
Конструктивное исполнение		настенный прибор	настенный прибор	настенный прибор	настенный прибор	настенный прибор	настенный прибор	настенный прибор
Степень защиты (IP)		IP24	IP24	IP24	IP24	IP24	IP24	IP24
Класс защиты		I	I	I	I	I	I	I
Цвет		альпийский белый	альпийский белый	альпийский белый	альпийский белый	альпийский белый	альпийский белый	альпийский белый
Параметры								
Диапазон настройки	°C	5-30	5-30	5-30	5-30	5-30	5-30	5-30

Гарантия

Приборы, приобретенные за пределами Германии, не подпадают под условия гарантии немецких компаний. К тому же в странах, где продажу нашей продукции осуществляет одна из наших дочерних компаний, гарантия предоставляется исключительно этой дочерней компанией. Такая гарантия предоставляется только в случае, если дочерней компанией изданы собственные условия гарантии. За пределами этих условий никакая гарантия не предоставляется.

На приборы, приобретенные в странах, где ни одна из наших дочерних компаний не осуществляет продажу нашей продукции, никакие гарантии не распространяются. Это не затрагивает гарантий, которые могут предоставляться импортером.

Защита окружающей среды и утилизация

Внесите свой вклад в охрану окружающей среды. Утилизацию использованных материалов следует производить в соответствии с национальными нормами.

Deutschland

STIEBEL ELTRON GmbH & Co. KG
Dr.-Stiebel-Straße 33 | 37603 Holzminden
Tel. 05531 702-0 | Fax 05531 702-480
info@stiebel-eltron.de
www.stiebel-eltron.de

Verkauf

Tel. 05531 702-110 | Fax 05531 702-95108 | info-center@stiebel-eltron.de

Kundendienst

Tel. 05531 702-111 | Fax 05531 702-95890 | kundendienst@stiebel-eltron.de

Ersatzteilverkauf

Tel. 05531 702-120 | Fax 05531 702-95335 | ersatzteile@stiebel-eltron.de

Australia

STIEBEL ELTRON Australia Pty. Ltd.
6 Prohasky Street | Port Melbourne VIC 3207
Tel. 03 9645-1833 | Fax 03 9645-4366
info@stiebel.com.au
www.stiebel.com.au

Austria

STIEBEL ELTRON Ges.m.b.H.
Gewerbegebiet Neubau-Nord
Margaritenstraße 4 A | 4063 Hörsching
Tel. 07221 74600-0 | Fax 07221 74600-42
info@stiebel-eltron.at
www.stiebel-eltron.at

Belgium

STIEBEL ELTRON bvba/sprl
't Hofveld 6 - D1 | 1702 Groot-Bijgaarden
Tel. 02 42322-22 | Fax 02 42322-12
info@stiebel-eltron.be
www.stiebel-eltron.be

China

STIEBEL ELTRON (Guangzhou) Electric
Appliance Co., Ltd.
Rm 102, F1, Yingbin-Yihao Mansion, No. 1
Yingbin Road
Panyu District | 511431 Guangzhou
Tel. 020 39162209 | Fax 020 39162203
info@stiebeleltron.cn
www.stiebeleltron.cn

Czech Republic

STIEBEL ELTRON spol. s r.o.
K Hájem 946 | 155 00 Praha 5 - Stodůlky
Tel. 251116-111 | Fax 235512-122
info@stiebel-eltron.cz
www.stiebel-eltron.cz

Finland

STIEBEL ELTRON OY
Kapinakuja 1 | 04600 Mäntsälä
Tel. 020 720-9988
info@stiebel-eltron.fi
www.stiebel-eltron.fi

France

STIEBEL ELTRON SAS
7-9, rue des Selliers
B.P 85107 | 57073 Metz-Cédex 3
Tel. 0387 7438-88 | Fax 0387 7468-26
info@stiebel-eltron.fr
www.stiebel-eltron.fr

Hungary

STIEBEL ELTRON Kft.
Gyár u. 2 | 2040 Budaörs
Tel. 01 250-6055 | Fax 01 368-8097
info@stiebel-eltron.hu
www.stiebel-eltron.hu

Japan

NIHON STIEBEL Co. Ltd.
Kowa Kawasaki Nishiguchi Building 8F
66-2 Horikawa-Cho
Saiwai-Ku | 212-0013 Kawasaki
Tel. 044 540-3200 | Fax 044 540-3210
info@nihonstiebel.co.jp
www.nihonstiebel.co.jp

Netherlands

STIEBEL ELTRON Nederland B.V.
Daviottenweg 36 | 5222 BH 's-Hertogenbosch
Tel. 073 623-0000 | Fax 073 623-1141
info@stiebel-eltron.nl
www.stiebel-eltron.nl

Poland

STIEBEL ELTRON Polska Sp. z O.O.
ul. Działkowa 2 | 02-234 Warszawa
Tel. 022 60920-30 | Fax 022 60920-29
biuro@stiebel-eltron.pl
www.stiebel-eltron.pl

Russia

STIEBEL ELTRON LLC RUSSIA
Urzhumskaya street 4,
building 2 | 129343 Moscow
Tel. 0495 7753889 | Fax 0495 7753887
info@stiebel-eltron.ru
www.stiebel-eltron.ru

Slovakia

TATRAMAT - ohrievače vody s.r.o.
Hlavná 1 | 058 01 Poprad
Tel. 052 7127-125 | Fax 052 7127-148
info@stiebel-eltron.sk
www.stiebel-eltron.sk

Switzerland

STIEBEL ELTRON AG
Industrie West
Gass 8 | 5242 Lupfig
Tel. 056 4640-500 | Fax 056 4640-501
info@stiebel-eltron.ch
www.stiebel-eltron.ch

Thailand

STIEBEL ELTRON Asia Ltd.
469 Moo 2 Tambol Klong-Jik
Amphur Bangpa-In | 13160 Ayutthaya
Tel. 035 220088 | Fax 035 221188
info@stiebeleltronasia.com
www.stiebeleltronasia.com

United Kingdom and Ireland

STIEBEL ELTRON UK Ltd.
Unit 12 Stadium Court
Stadium Road | CH62 3RP Bromborough
Tel. 0151 346-2300 | Fax 0151 334-2913
info@stiebel-eltron.co.uk
www.stiebel-eltron.co.uk

United States of America

STIEBEL ELTRON, Inc.
17 West Street | 01088 West Hatfield MA
Tel. 0413 247-3380 | Fax 0413 247-3369
info@stiebel-eltron-usa.com
www.stiebel-eltron-usa.com

STIEBEL ELTRON



Irrtum und technische Änderungen vorbehalten! | Subject to errors and technical changes! | Sous réserve d'erreurs et de modifications techniques! | Onder voorbehoud van vergissingen en technische wijzigingen! | Salvo error o modificación técnica! | Excepto erro ou alteração técnica | Zastrzeżone zmiany techniczne i ewentualne błędy | Omyly a technické změny jsou vyhrazeny! | A muszaki változtatások és tévedések jogát fenntartjuk! | Отсутствие ошибок не гарантируется. Возможны технические изменения. | Chyby a technické zmeny sú vyhradené!

Stand 9147

A 332837-40800-9360
B 336108-40800-9360