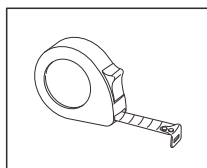
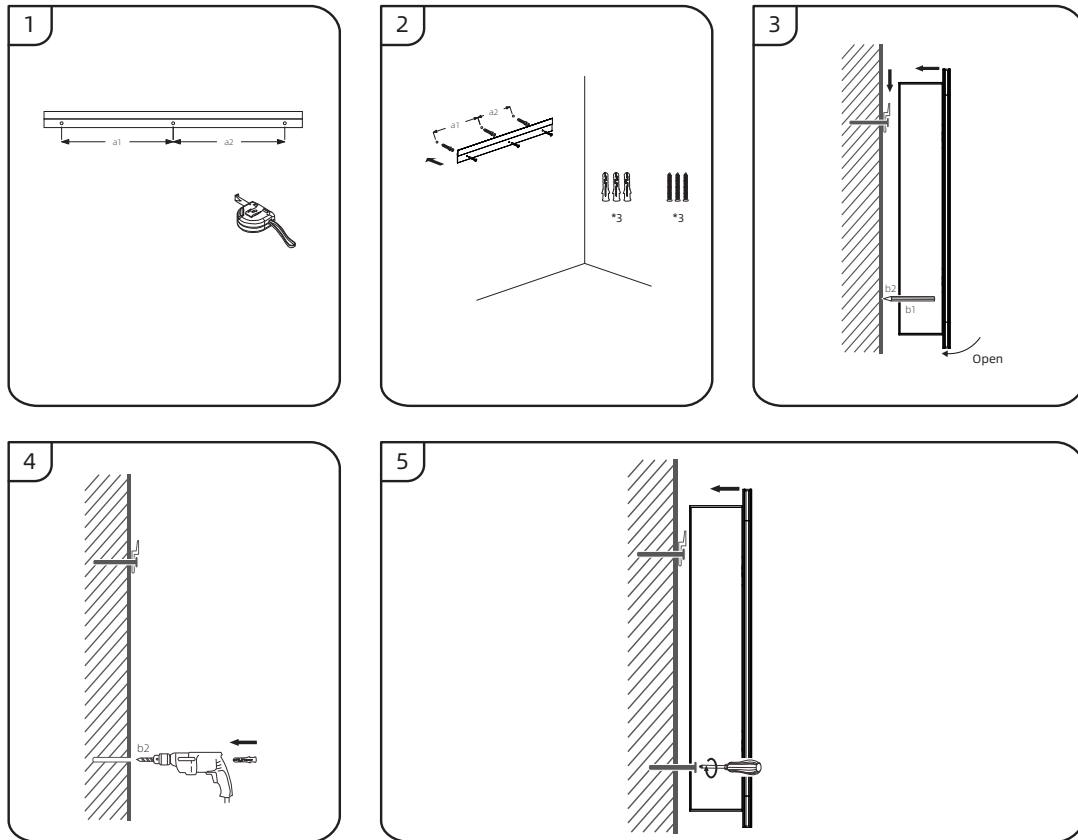
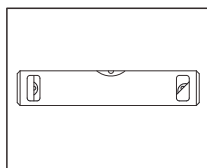


INSTALLATION INSTRUCTION FOR FRAMED MIRRORS

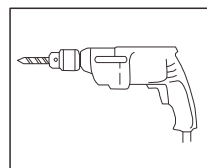
We recommend that you receive the product before commencing with installation as all sizes and measurements are approximate. We try to ensure all measurements are as accurate as possible. In the interest of continued product development, we reserve the right to alter specifications as necessary.



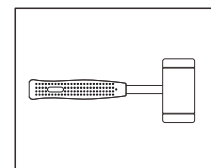
Flexible rule



Spirit level



Drill



Hammer

1. Make certain the wall is solid, and use the flexible rule to measure the distance between two hardy holes on the mirror frame.
2. Use the flexible rule to measure the center distance between two hardy holes on the wall and mark them out with a pencil.
3. Choose the drill with an appropriate drill bit to make two holes at the marked places, and use a special ceramic drill if the wall surface is made of ceramic tiles.
4. Use the hammer to strike an expansion rubber plug into the holes on the wall, and then use the screwdriver to tighten the screws into the holes (Exposure for 8 - 12mm).
5. Hang the product on the screw crossing two hardy holes to fix it.