

# PRODUCT DATA SHEET



**PRODUCT CODE**

PROMOD440TRIMV

**RANGE**

Module

**DESCRIPTION**

Module 2 Control Trimset Stainless Steel Effect With Bath Spout And Handshower

COLOUR Stainelss Steel Effect

MATERIAL Brass

FINISH PVD

INSTALLATION TYPE Wall Mounted

WEIGHT 2.4kg

WARRANTY 15 Years

MIN. PRESSURE 1 Bar

MAX. PRESSURE 5 Bar

**MOD440R - 2 OUTLET**

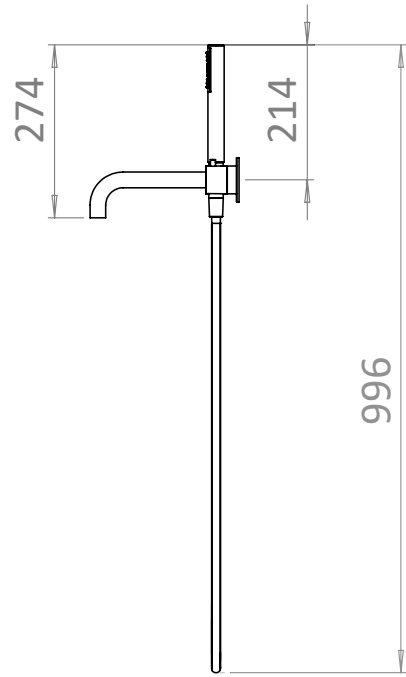
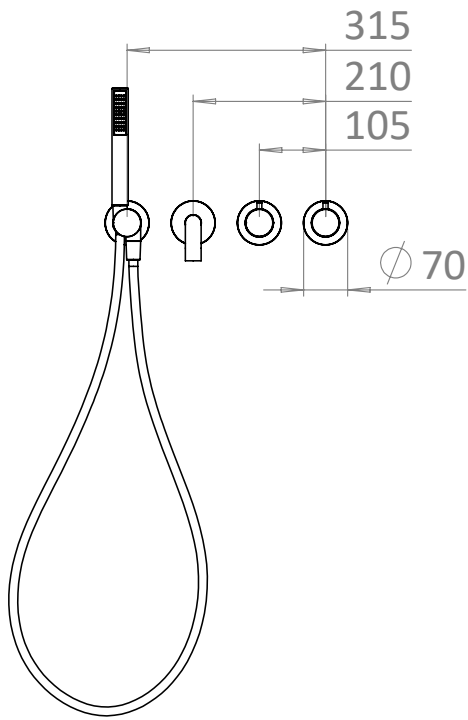
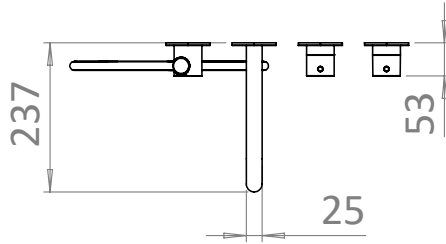
FLOWRATE

PRESSURE (BAR)	EXIT 1 TOP OR BOTTOM	EXIT 2 BATH SPOUT	EXIT 3 HAND SHOWER	
MID	0.5	8.5	8	4.1
	1	12.4	11.7	6
	2	18	17	8.5
HIGH	3	22	21	10.6
	4	25.6	24	12.3
	5	28.5	26.7	13.8

## TECHNICAL DIMENSIONS

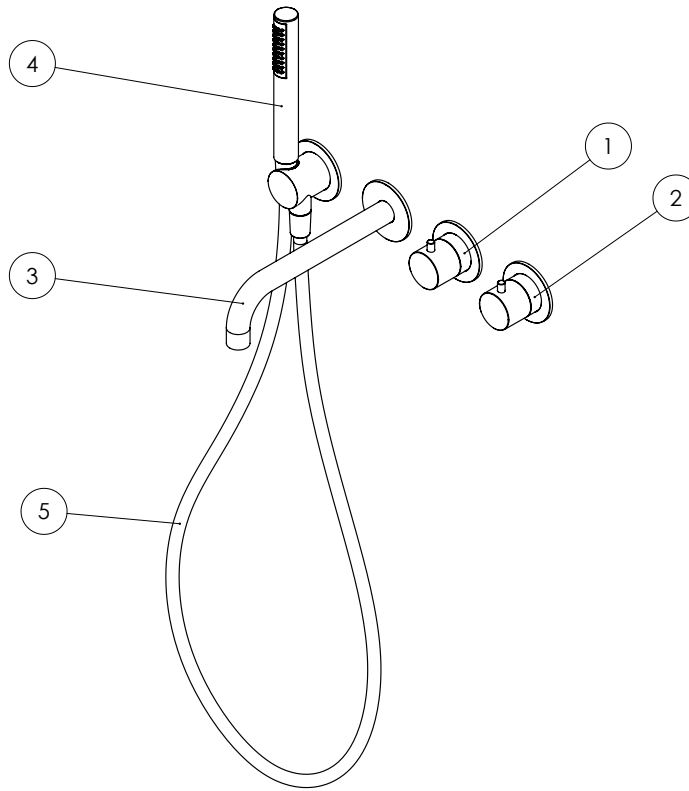
Dimensions in mm unless otherwise specified.

Tolerances (per material type) apply.



V10622

**SPARES DIAGRAM**



NUMBER	PART CODE	DESCRIPTION
1	E005058.275HESC	Mod Handle, Collar and Plate for Diverter Stainless Steel Effect
2	E005056.275HESC	Mod Handle, Collar and Plate for Thermostat Stainless Steel Effect
3	E098007.275HESC	Module Bath Spout Stainless Steel Effect
4	E082019.27700SC	Module Handshower Stainless Steel Effect
5	C084021.00010SA	Module Shower Hose Stainless Steel Effect

Only the parts labelled are available as spares.

V10622