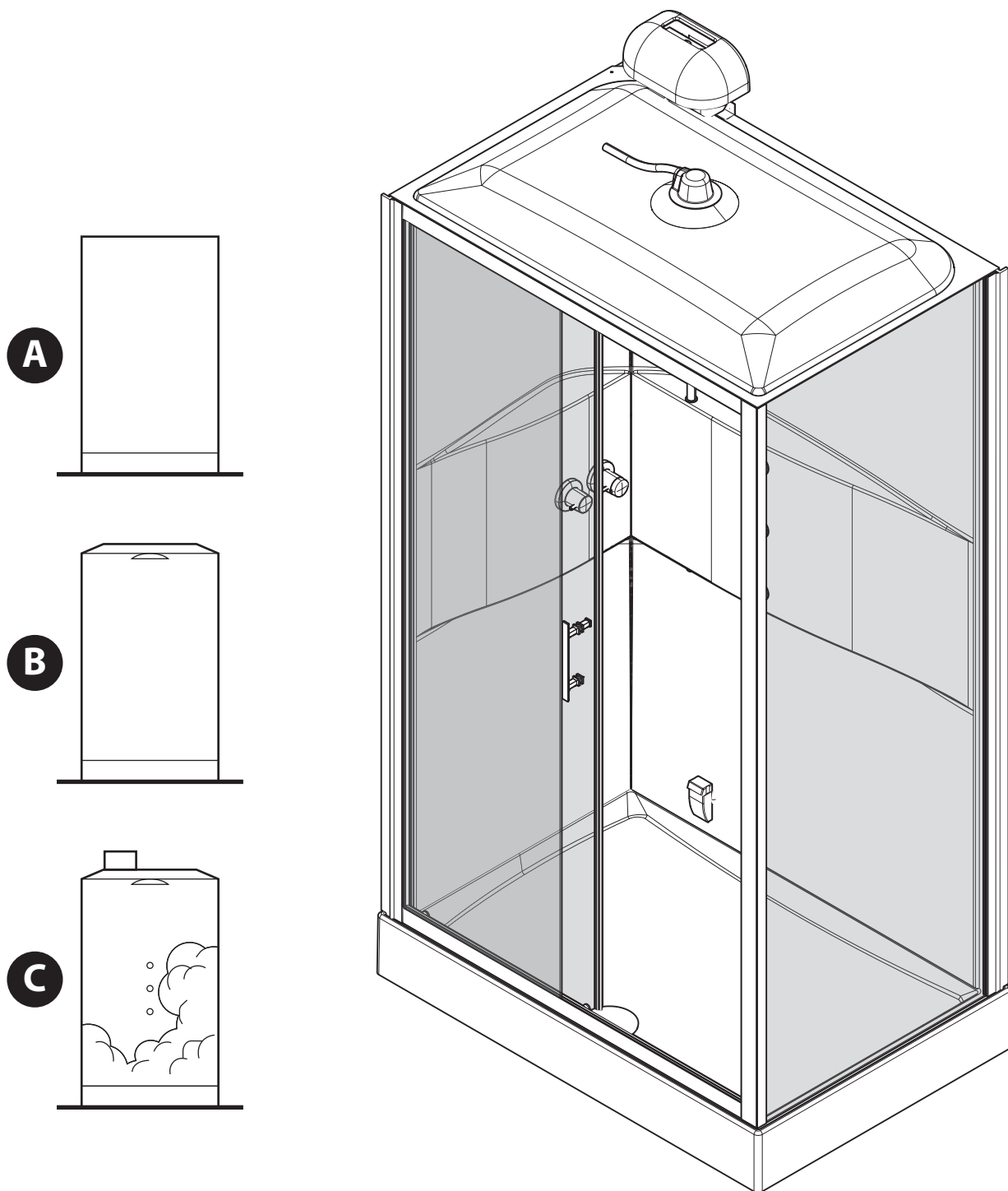
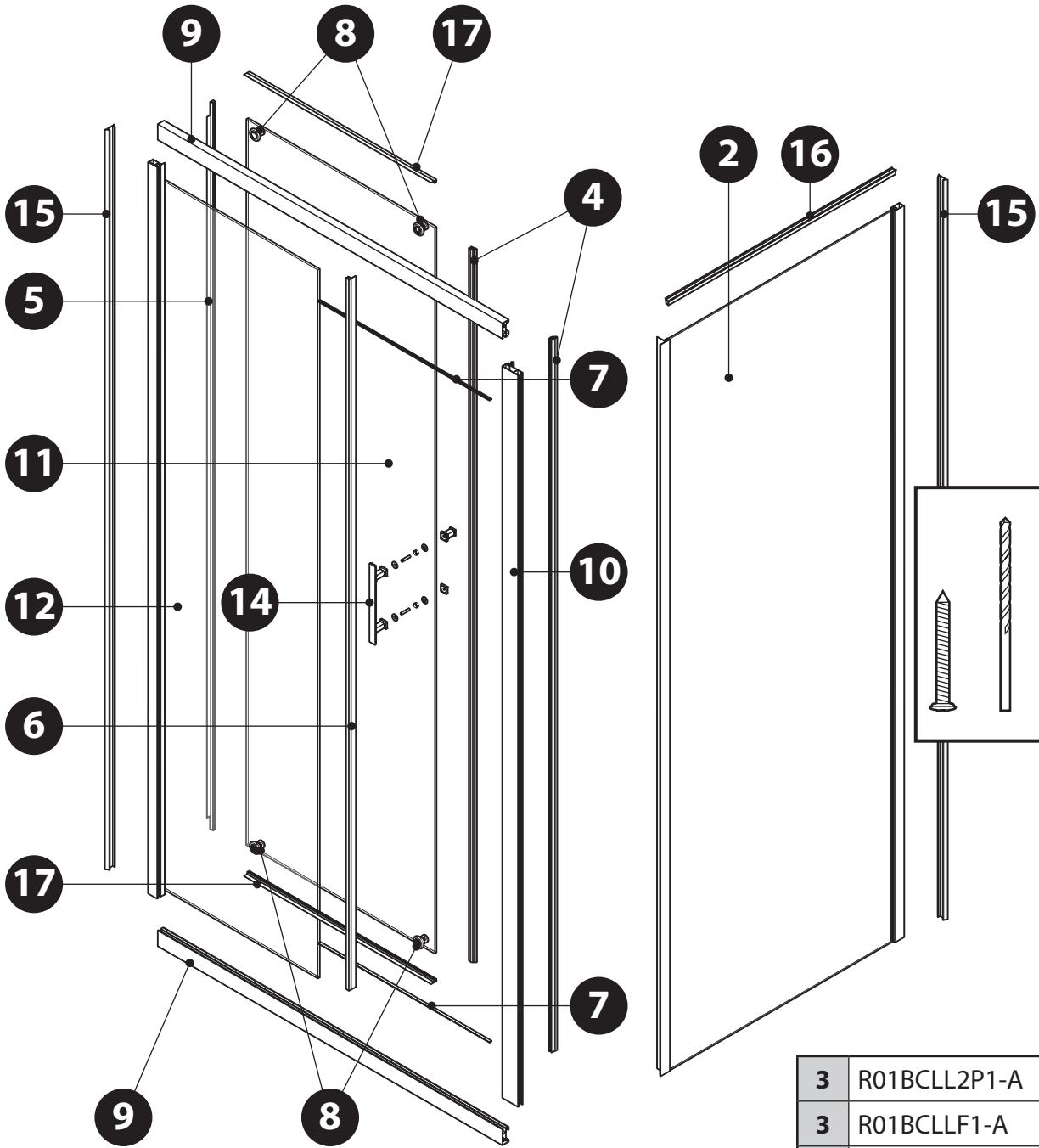


LILOU 2P 120x80

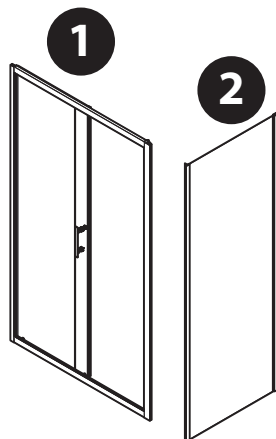


A	CLL2P120T-1AA
B	CLL2P120TF-1AA
C	CLL2P120T1N-1AA

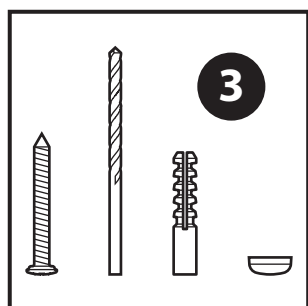
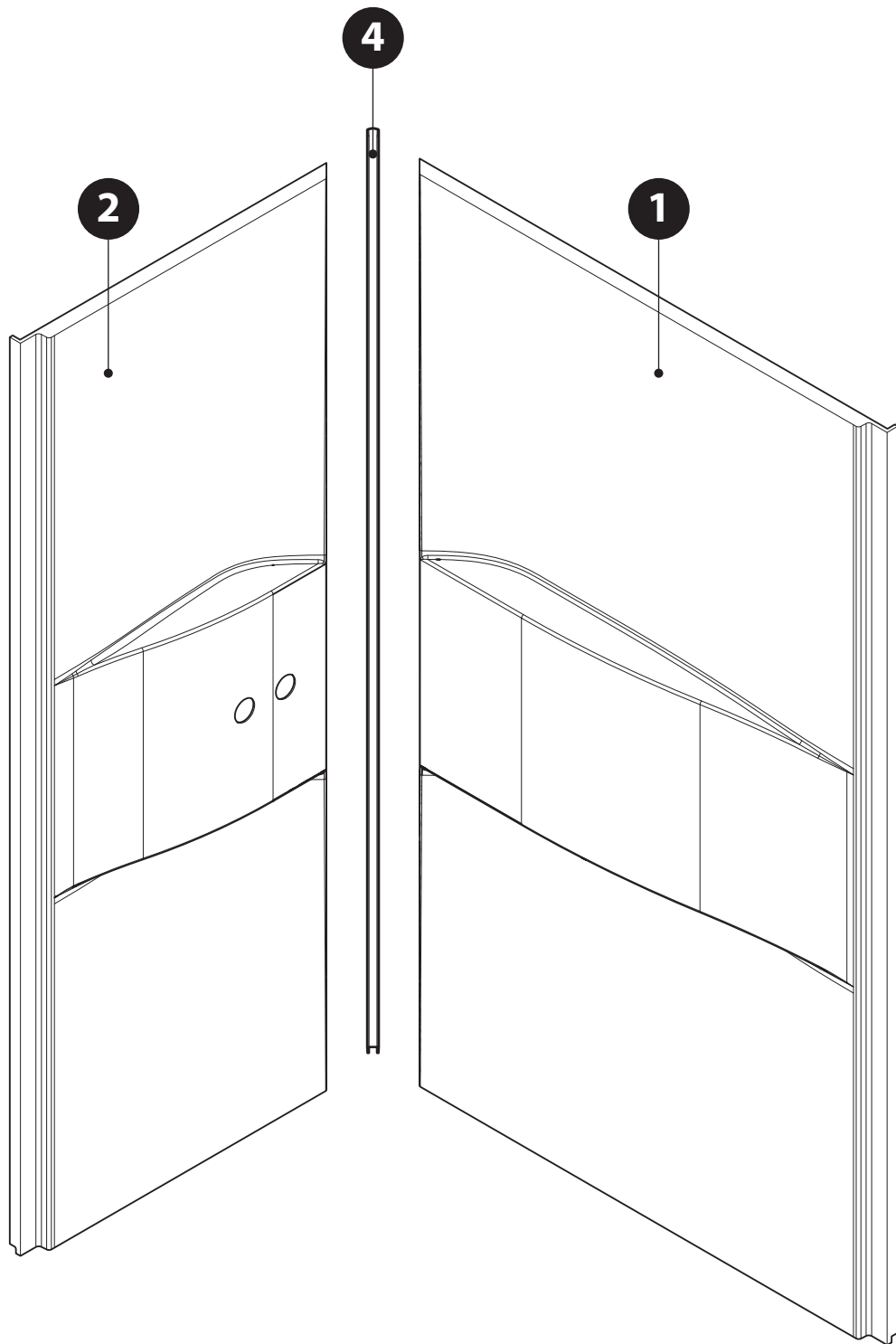
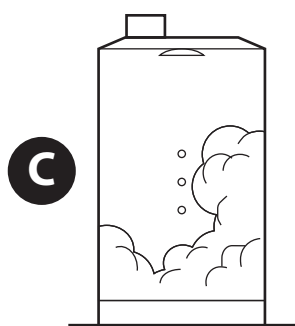
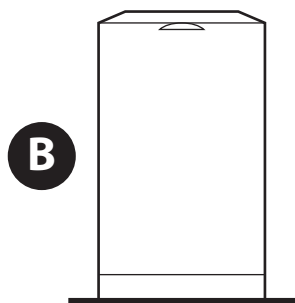
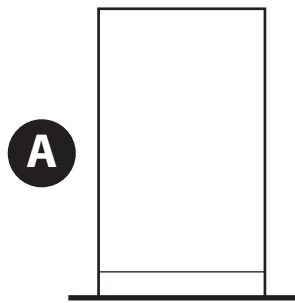


1	BCLLC2P120F-1A BCLLC2P120A-1
----------	---------------------------------

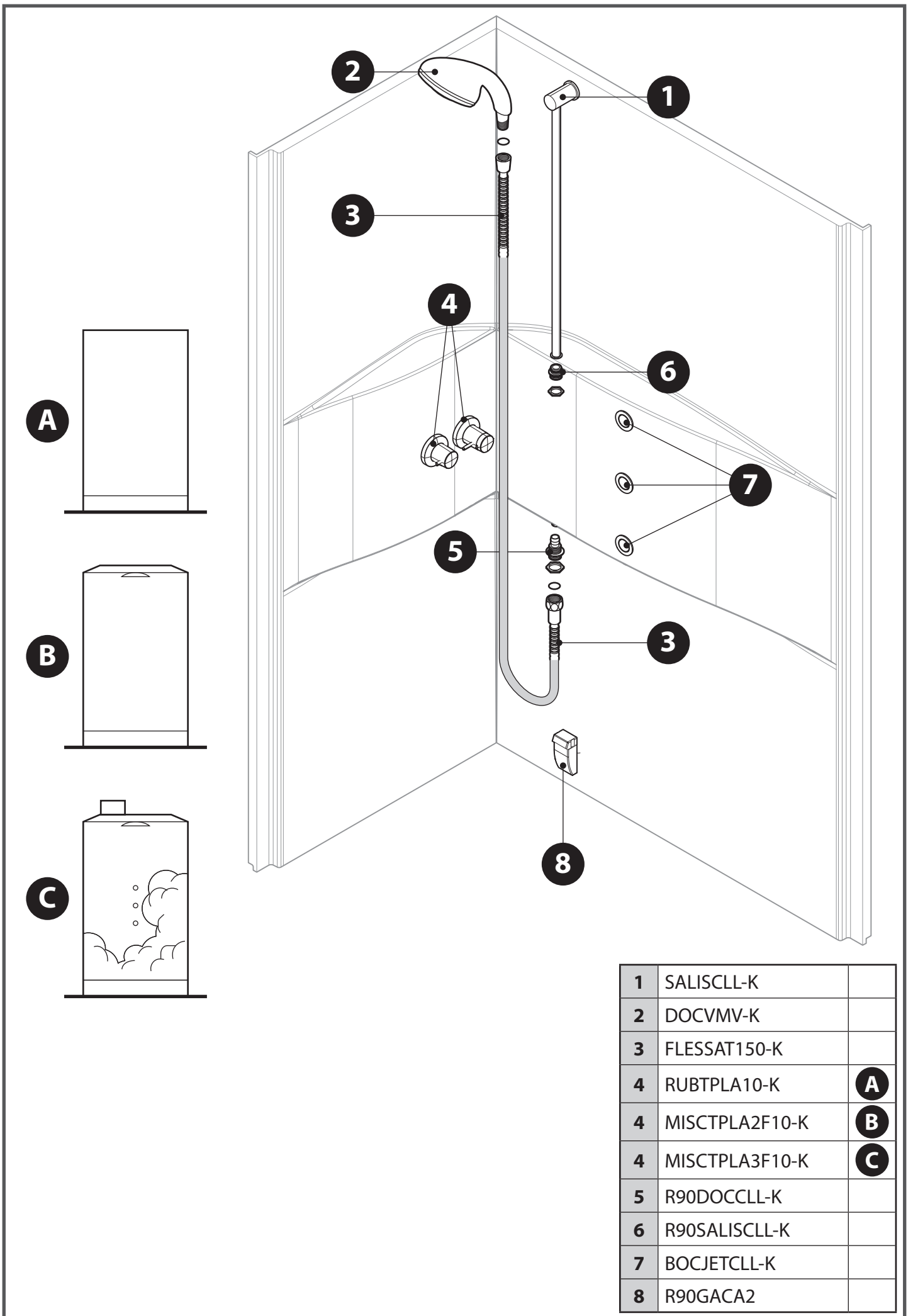
2	BCLLCF80-1A
----------	-------------



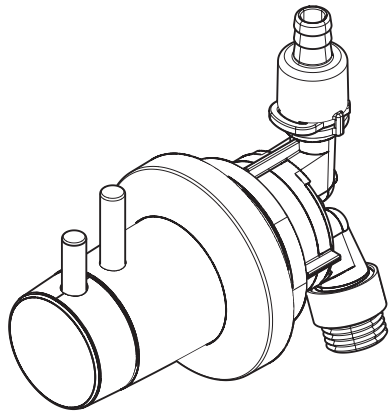
3	R01BCLL2P1-A
3	R01BCLLF1-A
4	R10BCLLA2P1-TR
5	R50ABCLLMO1-TR
6	R50FBHMO1-TR
7	R51BH2A1-TR
8	R07ELYA1-TR
9	P12BCLL2P120-A
10	P02BH22PST-A
11	BCLLC2P120A-1
12	BCLLC2P120RF-1A
14	R40MABL01-K
15	R50MADR1151-A
16	R53BCLLF1-TR
17	R53BCLLMO1-TR



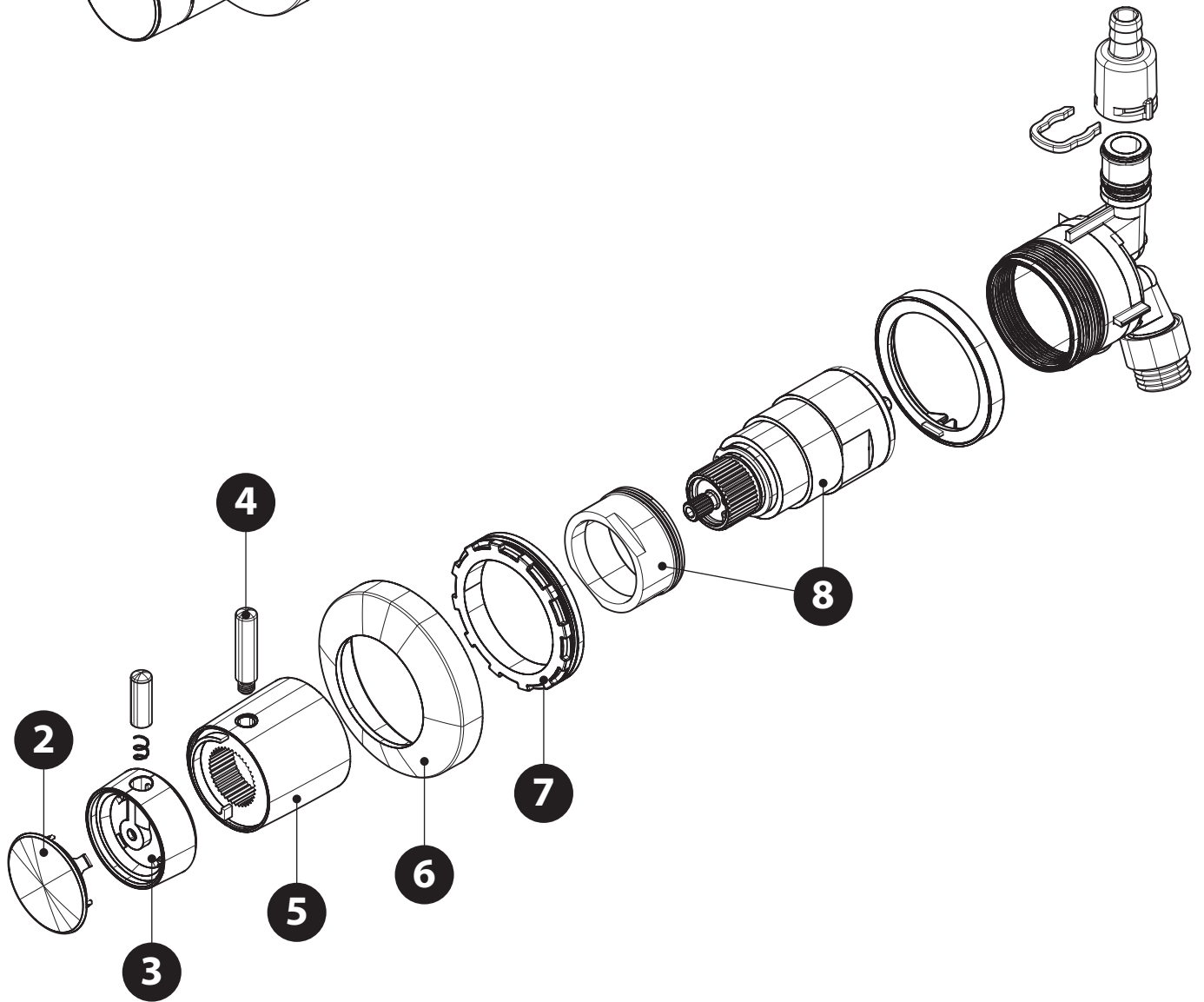
1	CENCLL120-A	A	B
1	CENCLL120F-A	C	
2	LATCLL80T-A	A	
2	LATCLL80TF-A	B	
2	LATCLL80T1F-A	C	
3	R01CLL1		
4	GUA50CLL-TR		



1	SALISCLL-K	
2	DOCMV-K	
3	FLESSAT150-K	
4	RUBTPLA10-K	A
4	MISCTPLA2F10-K	B
4	MISCTPLA3F10-K	C
5	R90DOCCLL-K	
6	R90SALISCLL-K	
7	BOCJETCLL-K	
8	R90GACA2	



1 RUBTPLA10-K **A**

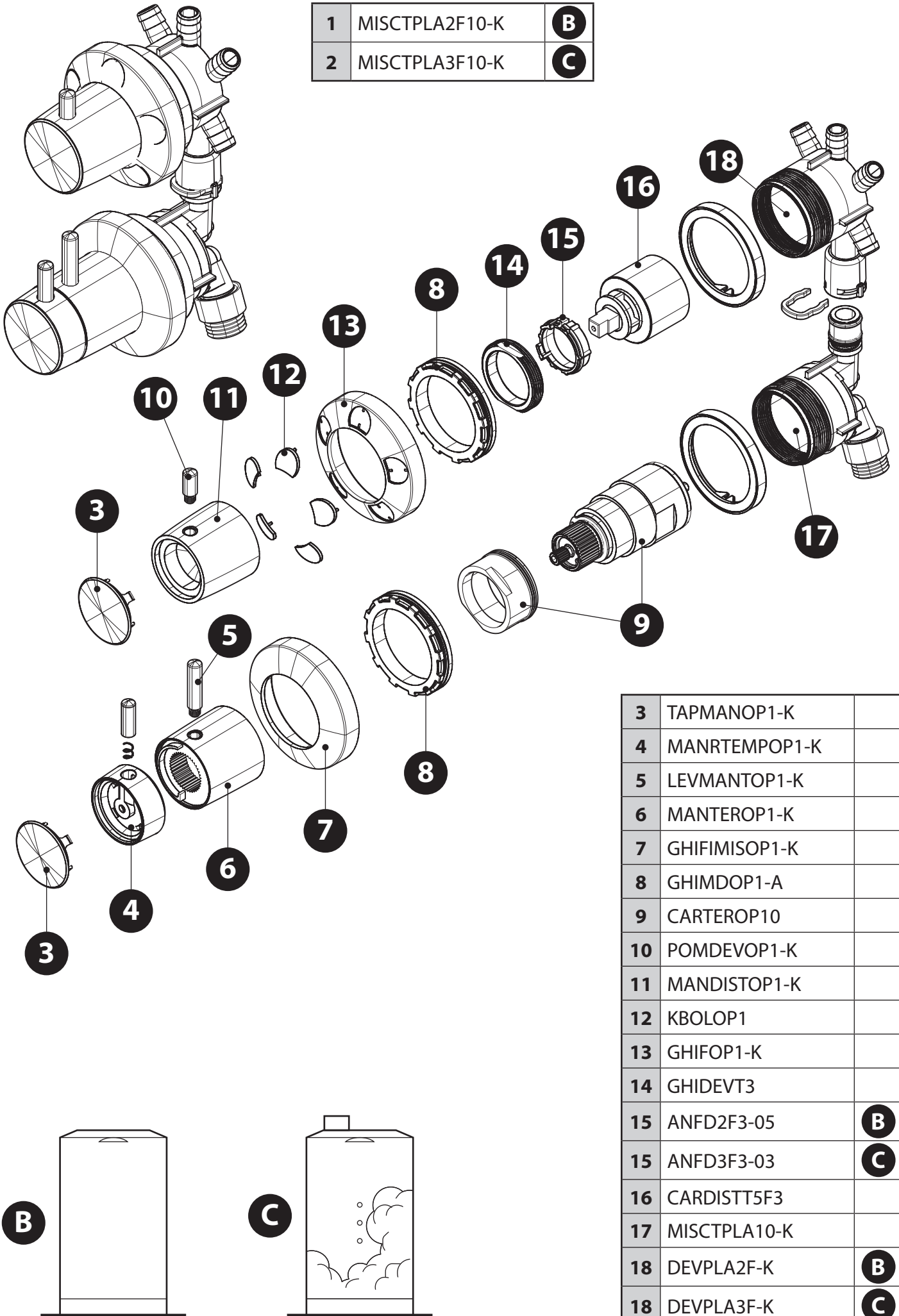


A

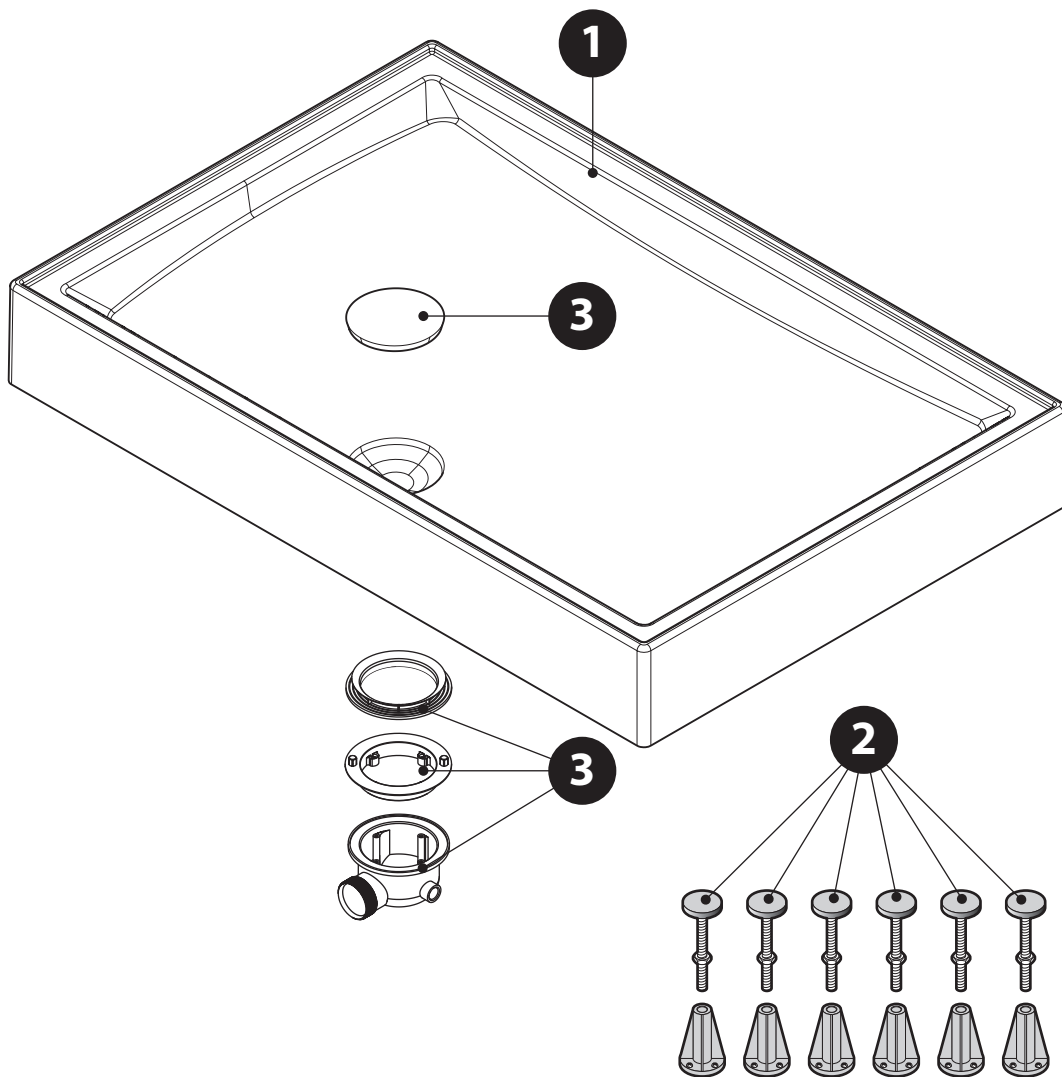


2	TAPMANOP1-K
3	MANRTEPOP1-K
4	LEVMANOP1-K
5	MANTEROP1-K
6	GHIFIMISOP1-K
7	GHIMDOP1-A
8	CARTEROP10

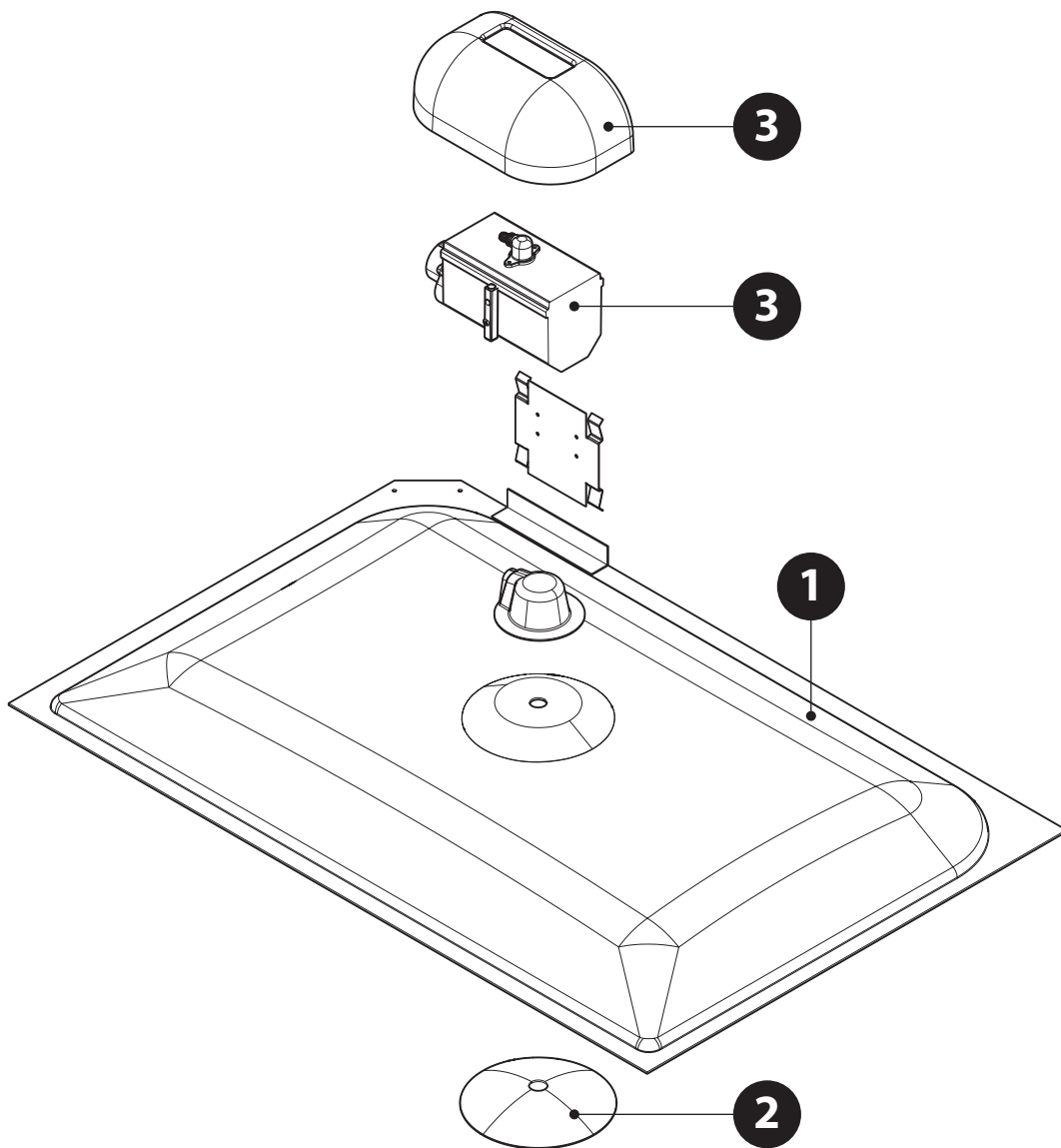
1	MISCTPLA2F10-K	B
2	MISCTPLA3F10-K	C



3	TAPMANOP1-K	
4	MANRTEPOP1-K	
5	LEVMASTOP1-K	
6	MANTEROP1-K	
7	GHIFIMISOP1-K	
8	GHIMDOP1-A	
9	CARTEROP10	
10	POMDEVOP1-K	
11	MANDISTOP1-K	
12	KBOLOP1	
13	GHIFOP1-K	
14	GHIDEVT3	
15	ANFD2F3-05	B
15	ANFD3F3-03	C
16	CARDISTT5F3	
17	MISCTPLA10-K	
18	DEVPLA2F-K	B
18	DEVPLA3F-K	C

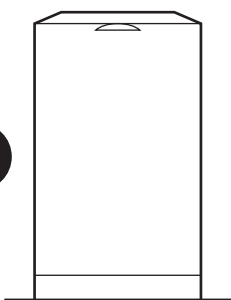


1	UOR12080-30
2	R05PI10015KPH
3	PIL90PCAB-CR40



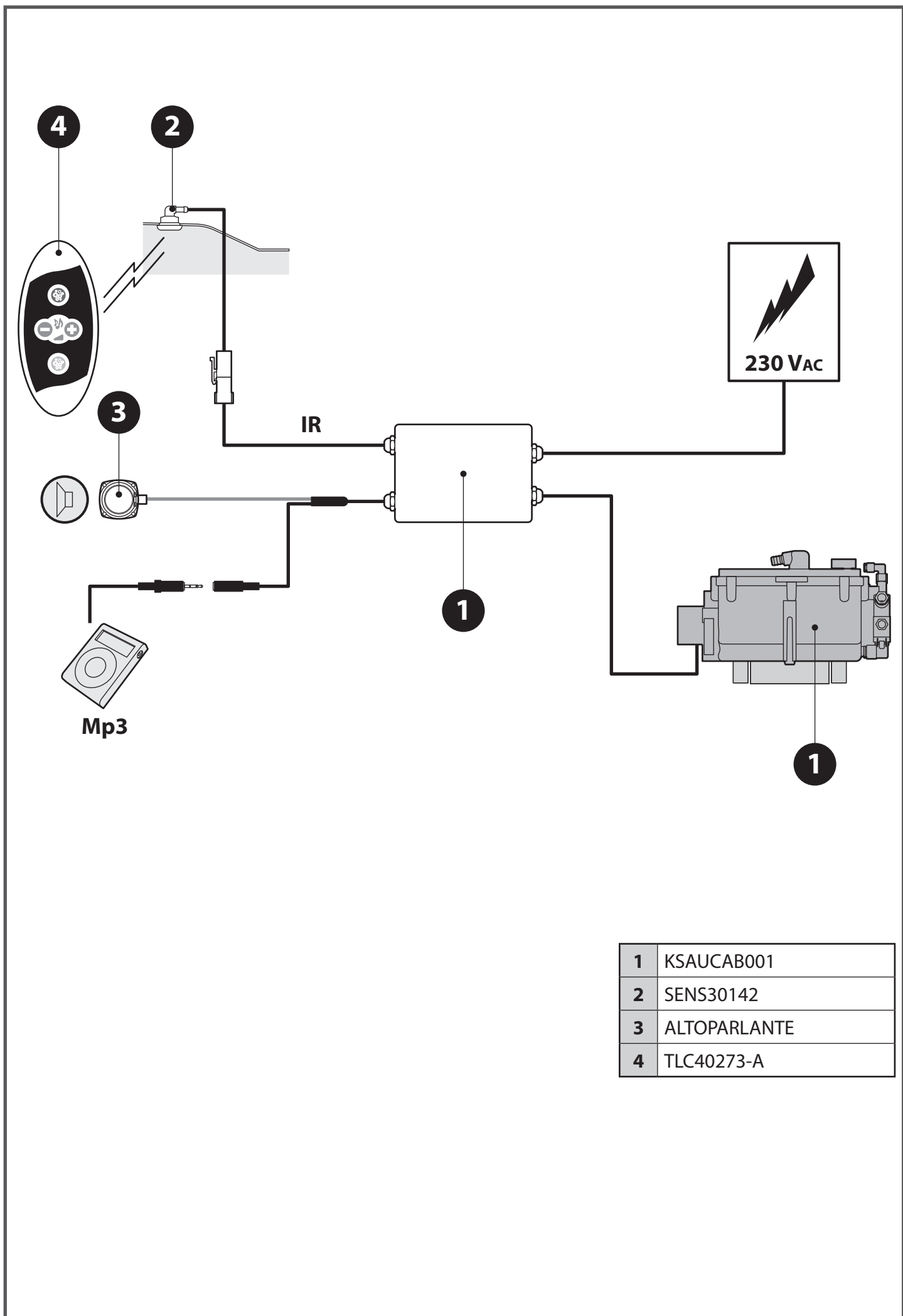
1	TCLLSOF120-D	B
1	TCLLSAS120-D	C
2	SOFCLL-K	
3	KSAUCAB001	

B



C





1	KSAUCAB001
2	SENS30142
3	ALTOPARLANTE
4	TLC40273-A