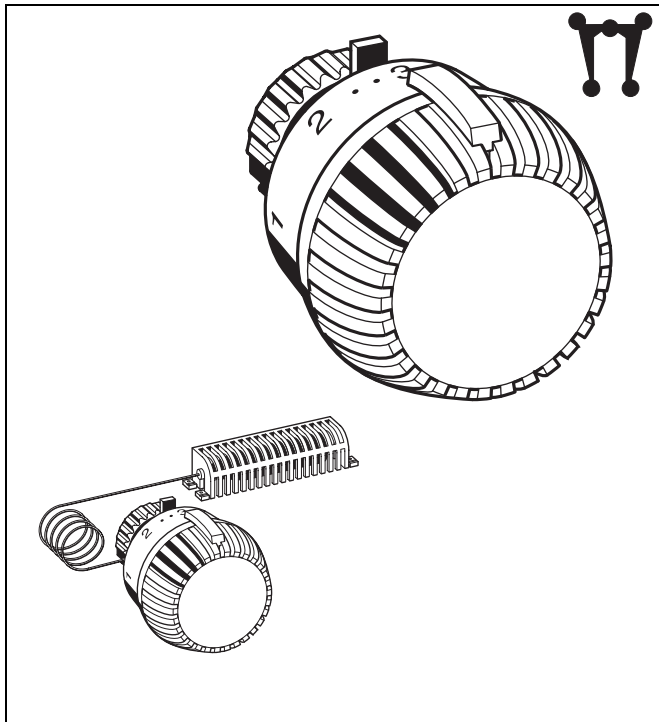


## T7000-2080

### HEAVY-DUTY RADIATOR THERMOSTAT

SKU 551757



### Design

The radiator thermostat consists of:

- Handwheel with lid and socket
- Honeywell HW M30 x 1.5 connection and 11.5 mm closing dimension
- Sensor with support cage
- Internal or remote sensor
- Liquid sensor
- Spindle assembly
- Connection nut

### Materials

- Handwheel socket and lid made of plastic, white to RAL9016
- Socket made of black plastic
- Socket, support cage and spindle assembly made of plastic
- Sensor filled with liquid
- Connection nut made of nickel-plated brass

### Application

A Radiator Thermostat is installed onto a Thermostatic Radiator Valve Body (TRV body). The combination of both, the Thermostatic Radiator Valve (TRV), controls the room temperature by adjusting the flow of hot water through a radiator.

TRVs are installed in water-based heating systems on the supply or, less commonly on the return connection of radiators. Radiator thermostats of this type fulfill the European Standard EN 215 when used with certified Honeywell TRV bodies.

Honeywell radiator thermostats with Honeywell (HW) M30 x 1.5 connection are suitable for all TRV body and radiator inserts with M30 x 1.5 connection and 11.5 mm closing dimension.

### Features

- **Conforms with M30 x 1.5 connection to European standard EN 215**
- **Equipped with liquid sensor**
- **Memory-clip**
- **Easy to equip with range stoppers**

### Specifications

Thermostat connection	M30 x 1.5	HW type
Setpoint range	0 - * - 1..5	(with zero-position)
	* - 1..5	(without zero-position)
	* - 1..3	(without zero-position)
Temperature range	1...28°C (34...82°F)	(with zero-position)
	6...28°C (43...82°F)	(without zero-position)
	6...21°C (43...70°F)	(without zero-position)
Closing dimension	11.5 mm	HW type

NOTE: Zero-position is also thermostatically controlled - when temperature falls the TRV may open.

### Function

Radiator thermostats of this type control the TRV body. The air passing around the sensor of the radiator thermostat causes the sensor to expand when the temperature rises. The expanding sensor closes the TRV accordingly. When the room temperature changes the TRV opens or closes proportionally. Only the amount of water required to maintain the room temperature set on the radiator thermostat is allowed to flow through the valve.

# T7000-2080

## HEAVY-DUTY RADIATOR THERMOSTAT

SKU 551757

### Dimensions and Ordering Information

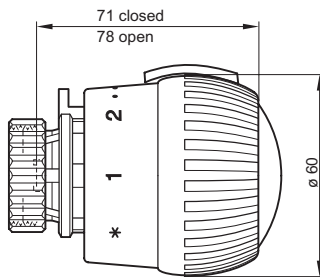


Fig. 1. 2080 with internal sensor

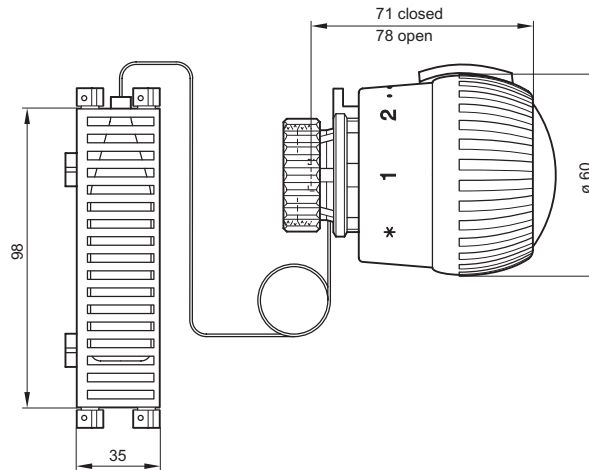


Fig. 2. 2080 with remote sensor

NOTE: All dimensions in mm unless stated otherwise.

Table 1. Available versions and OS-Nos (OS=Ordering Specification)

Type	EN215 certification	Zero-position ('0')	Limited to position 3	Connection	Capillary tube length	Colour	Cap	OS-No.
2080 with internal sensor								
	•			M30 x 1.5	-	white	* - 1.5	T7001
	•		•	M30 x 1.5	-	white	* - 1.3	T7001B3
	•	•		M30 x 1.5	-	white	0 - * - 1.5	T7001W0
2080 with remote sensor								
	•			M30 x 1.5	0.8 m	white	* - 1.5	T700108
	•			M30 x 1.5	2.0 m	white	* - 1.5	T700120
	•			M30 x 1.5	5.0 m	white	* - 1.5	T700150
	•		•	M30 x 1.5	0.8 m	white	* - 1.3	T700120B3
	•	•		M30 x 1.5	0.8 m	white	0 - * - 1.5	T700108W0
	•	•		M30 x 1.5	2.0 m	white	0 - * - 1.5	T700120W0

### EN215 Information

All radiator thermostats of this type with M30x1.5 connection in connection with certified Honeywell TRV bodies conform to the European Standard EN215.

Table 2. Comparison of radiator thermostats of this type specs and EN 215 requirements

	2080 without zero-position	2080 with remote sensor, without zero-position	EN215 requirements
Min. setpoint temperature	6°C (43°F)	6°C (43°F)	5...12°C (41...54°F)
Max. setpoint temperature	28°C (82°F)	28°C (82°F)	≤ 32°C (90°F)
Hysteresis	0.4K	0.5K	≤ 1.0K
Influence of differential pressure	0.3K	0.6K	≤ 1.0K
Influence of static pressure	0.5K	0.5K	≤ 1.0K
Influence of heating medium	0.8K	0.6K	≤ 1.5K
Response time	31 min	12 min	≤ 40 min

NOTE: All °C- and °F-values specified at ideal incident flow. This can differ from stated values depending on installation position and air flow.

NOTE: Influence of differential pressure depends on TRV body used.

## T7000-2080

### HEAVY-DUTY RADIATOR THERMOSTAT

SKU 551757

### Installation Examples

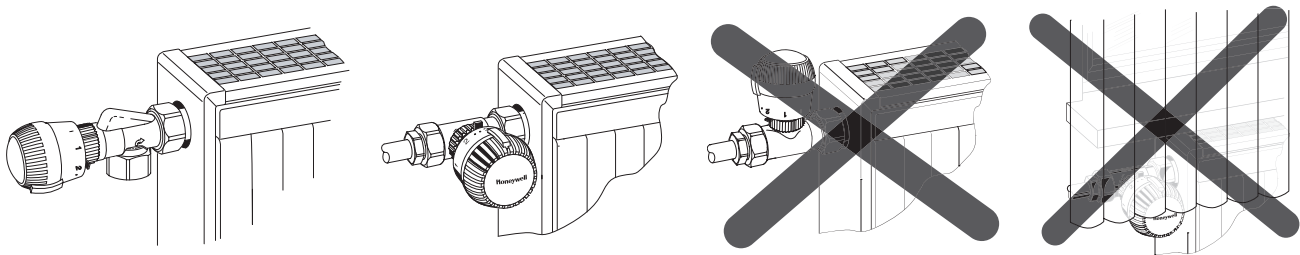


Fig. 3. Correct and false installation positions for radiator thermostats with internal sensor

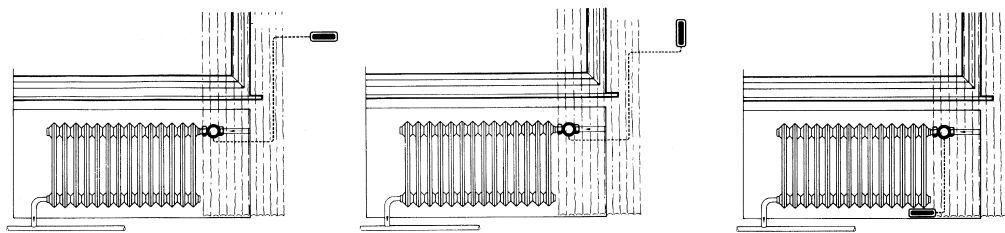


Fig. 4. 2080 with remote sensor

### Setpoint

Table 3. Radiator thermostats of this type with zero-position ('0')

Setpoint	0	*	1	2	3	4	5
°C	1	6	11	16	21	25	28
°F	34	43	52	61	70	77	82

Table 4. Radiator thermostats of this type without zero-position ('0')

Setpoint		*	1	2	3	4	5
°C		6	11	16	21	25	28
°F		43	52	61	70	77	82

Table 5. Radiator thermostats of this type without zero-position ('0')

Setpoint		*	1	2	3		
°C		6	11	16	21		
°F		43	52	61	70		

NOTE: All °C and °F-values approximate. Heating can freeze when radiator thermostats with zero-position are set at position '0'. Zero-position is also thermostatically controlled - when temperature falls the TRV may open.

#### Please Note:

- To avoid stone deposit and corrosion the composition of the medium should conform with VDI-Guideline 2035
- Additives have to be suitable for EPDM sealings
- System has to be flushed thoroughly before initial operation with all valves fully open
- Any complaints or costs resulting from non-compliance with above rules will not be accepted by Honeywell
- Please contact us if you should have any special requirements or needs

## T7000-2080

### HEAVY-DUTY RADIATOR THERMOSTAT

SKU 551757

#### Accessories

##### Theft-protection ring



with Allan screws

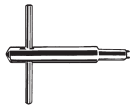
TA2080A001



with double-punch screws

TA2080A002

##### Screwdriver for double-punch screws



TA2080B002

##### Decoring for connection nut



white (RAL9016)  
10 pair, 20 pieces

TA1000A001

white (RAL9016)  
1 pair, 2 pieces

TA1000A011

chrome  
10 pair, 20 pieces

TA1000A002

chrome  
1 pair, 2 pieces

TA1000A022

##### Adapter



DA-Adapter from Danfoss  
snap connection RA to  
M30 x 1.5

TA1010DA01

##### Adapter



HZ-Adapter from M28 x 1.5  
with 9.5 mm closing dimen-  
sion to M30 x 1.5 with  
11.5 mm closing dimension

TA1010HZ01

##### Special tool for assembly of radiator thermostats



VA8210A001