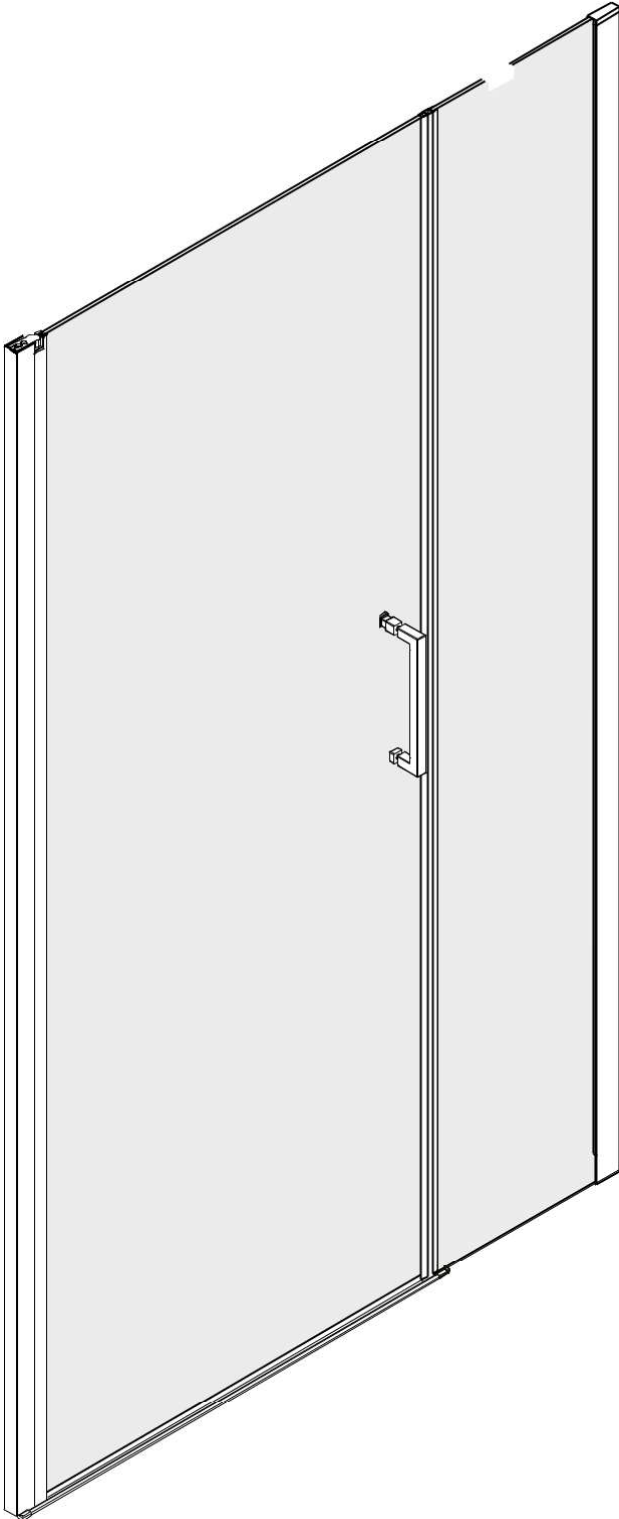


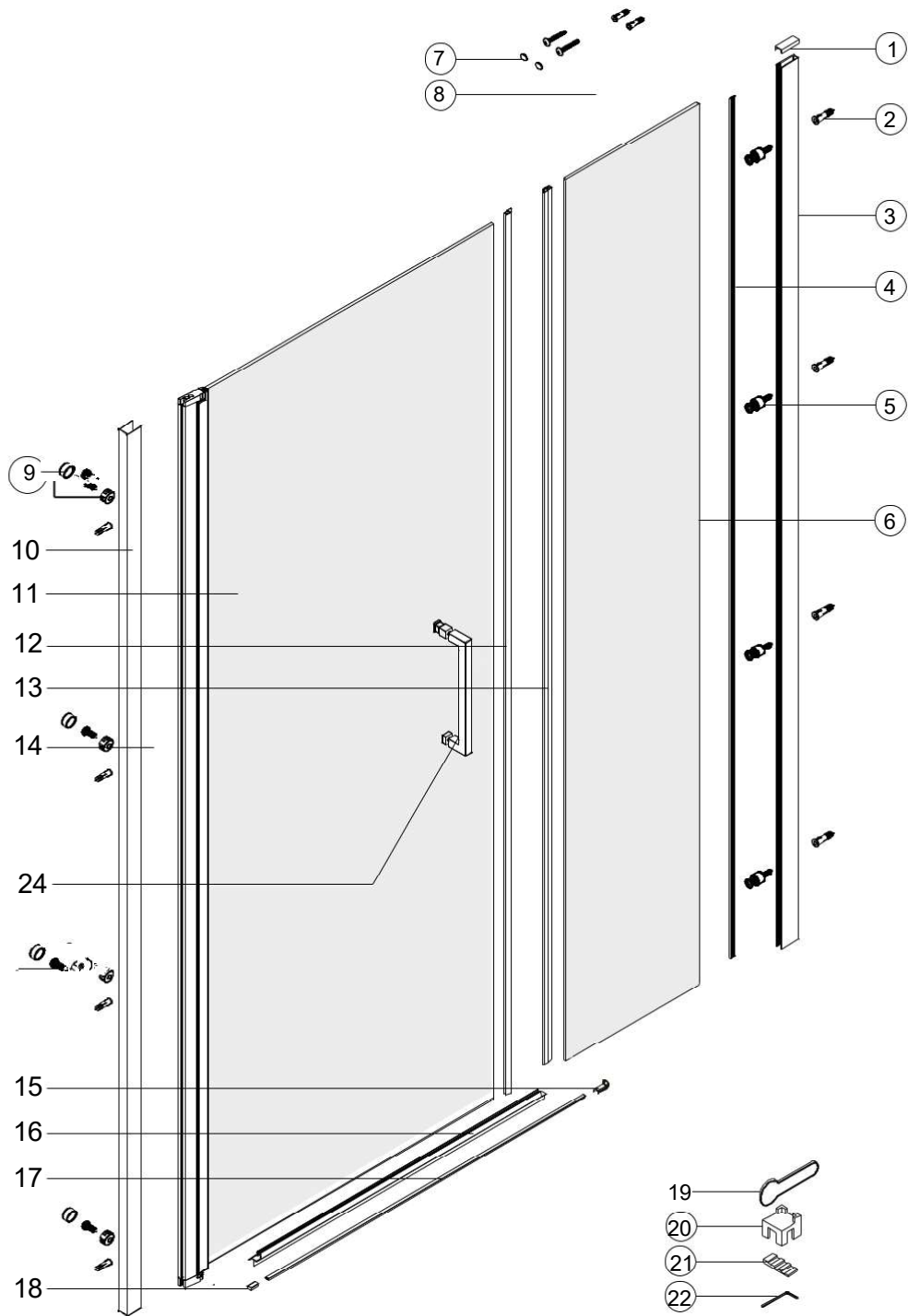


montagehandleiding & spare parts
montageanleitung & spare parts

**VAN MARCKE PINA XL
DESIGN**



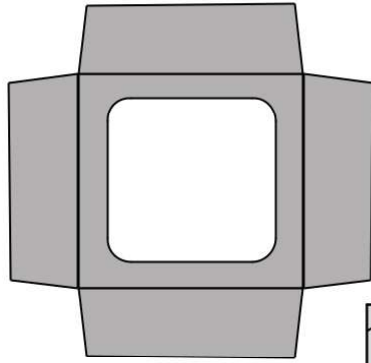
CONTENU / PARTS LIST



NO	Qty	Description	NO	Qty	Description
1	1	Channel cap extrusion	13	1	6mm gasket 2
2	10	Wall anchor	14	6	ST4X40 Screw
3	1	Chrome Wall Chanel	15	2	Chrome bracket for threshold L/R
4	1	Squeeze gasket	16	1	Back splash gasket L/R
5	4	ST4X40 Screw	17	1	Chrome back splash
6	1	Clear Fixe panel	18	2	Chrome bracket for threshold L/R
7	2	Screw cover for hole	19	1	Squeeze gasket tool
8	1	Assembly bar	20	2	Glass installation tool
9	4	Chrome Screw cap	21	2	Glass Wedge
10	1	Chrome Wall Chanel	22	1	Allen key
11	1	Clear Door	23	4	ST4X16 Screw
12	1	6mm gasket 1	24	1	Handle

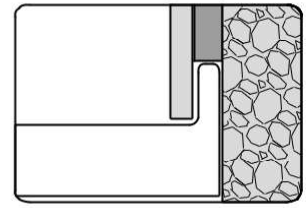
SUITE / CONTINUED

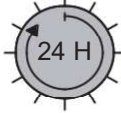
01



Pour protéger le FINI de votre base de douche.
To protect your shower base finish.

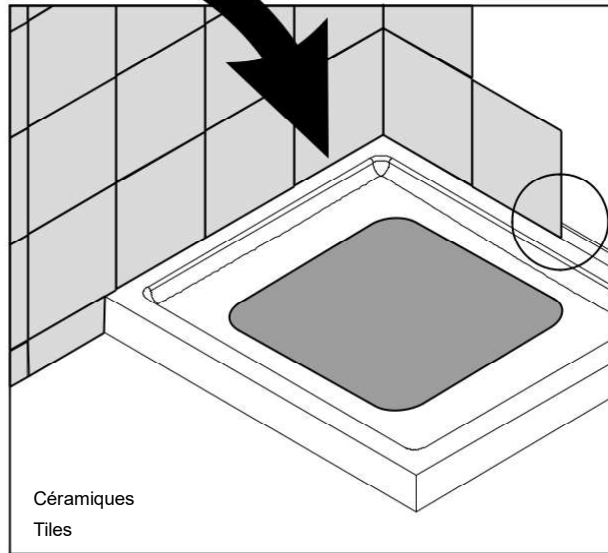
20~30mm





ATTENTION !
Attendre 24h avant d'installer votre porte de douche, afin de permettre au mortier et à la finition de sécher complètement.

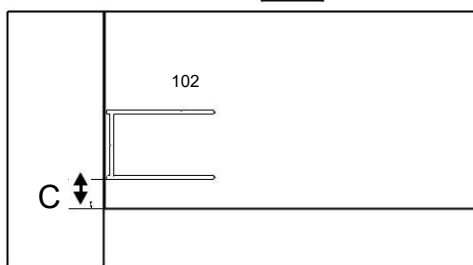
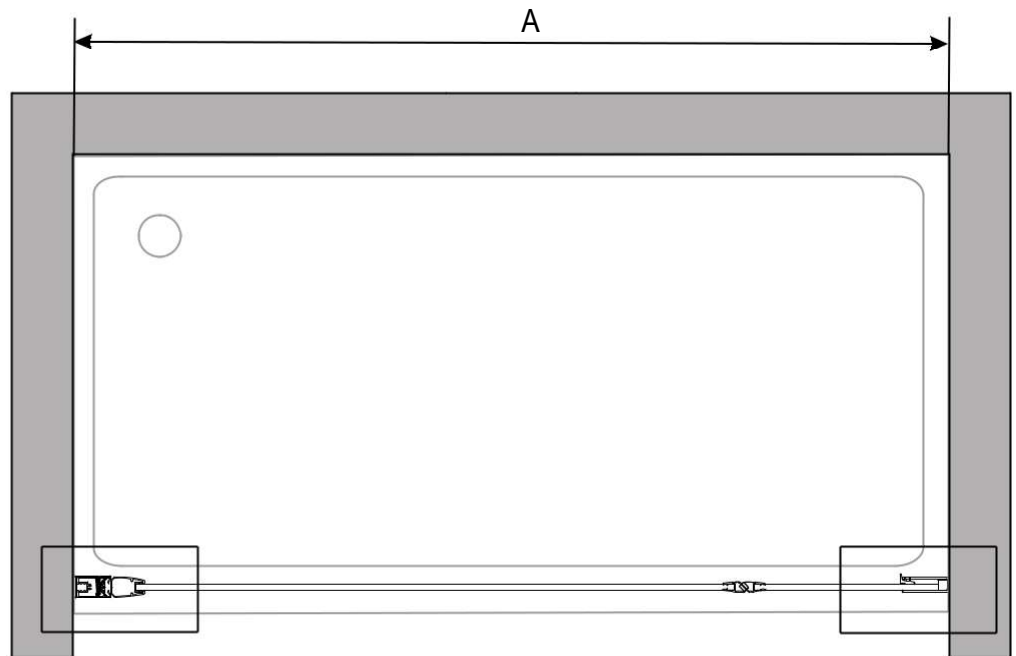
WARNING !
Wait 24h before proceeding with the installation of the shower door. This will ensure that the finish and mortar is dry.



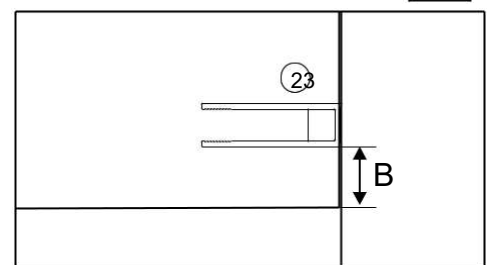
INSTALLATION EXTRUSION MURALE / WALL JAMB INSTALLATION

A 02

SIZE	A
900mm	865~900mm
1000mm	965~1000mm
1100mm	1065~1100mm

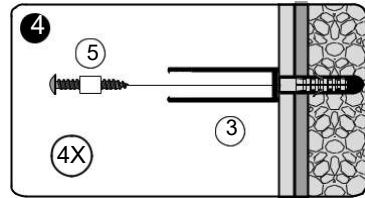
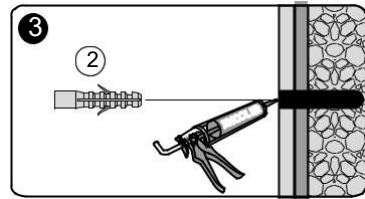
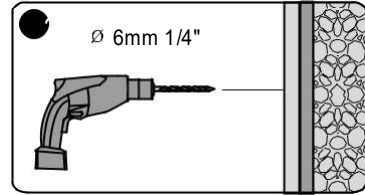
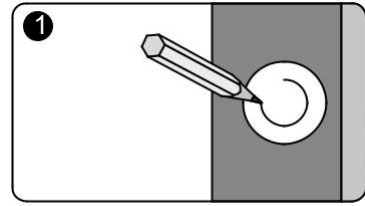
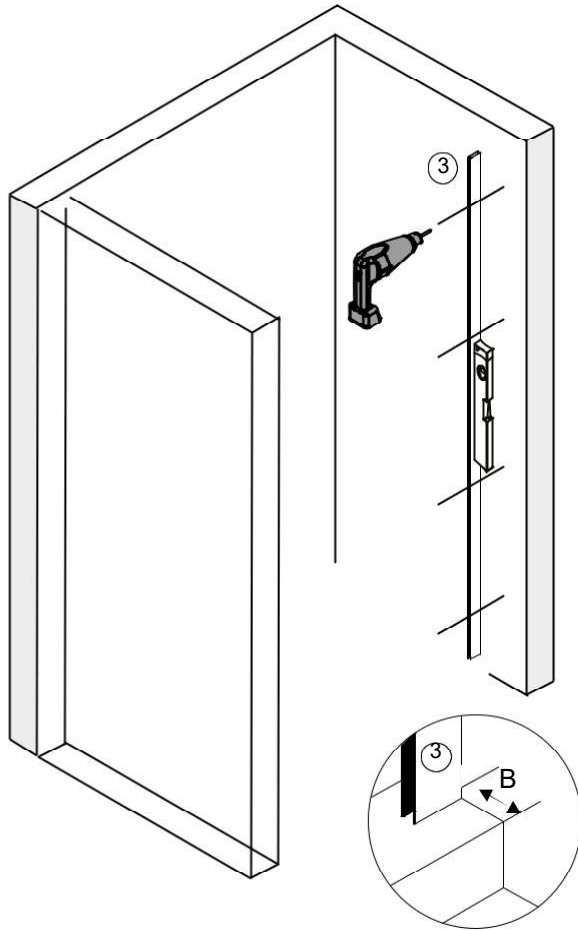


B=B
C=B-7mm



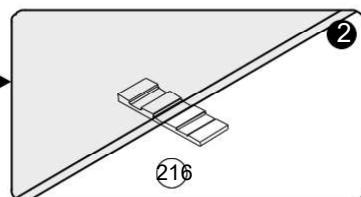
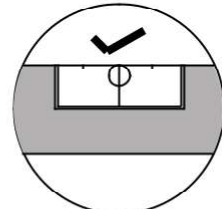
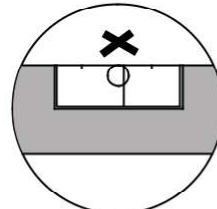
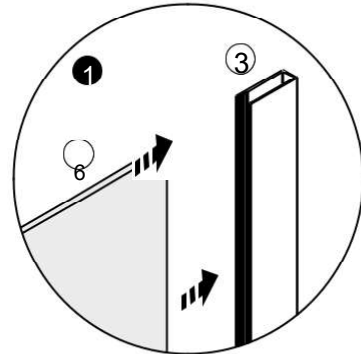
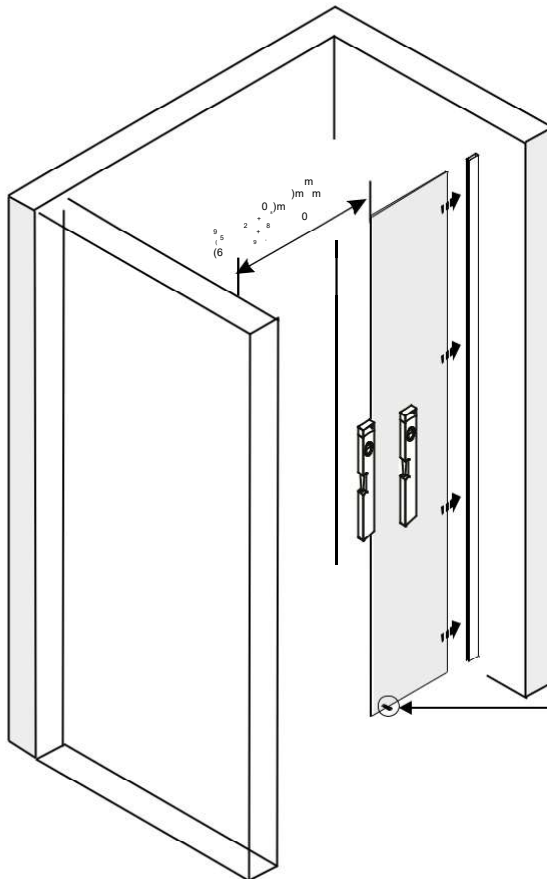
SUITE / CONTINUED

A₀₃



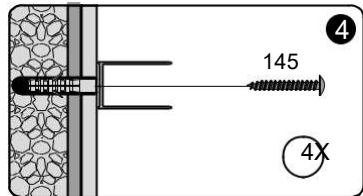
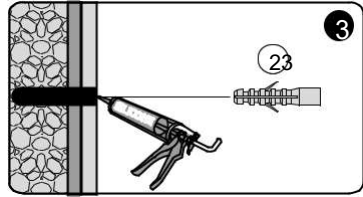
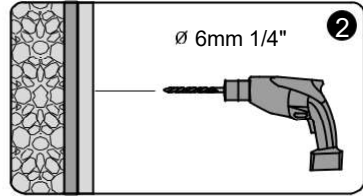
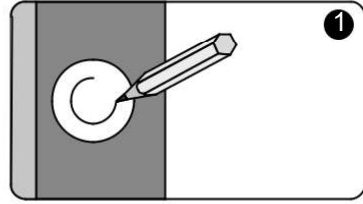
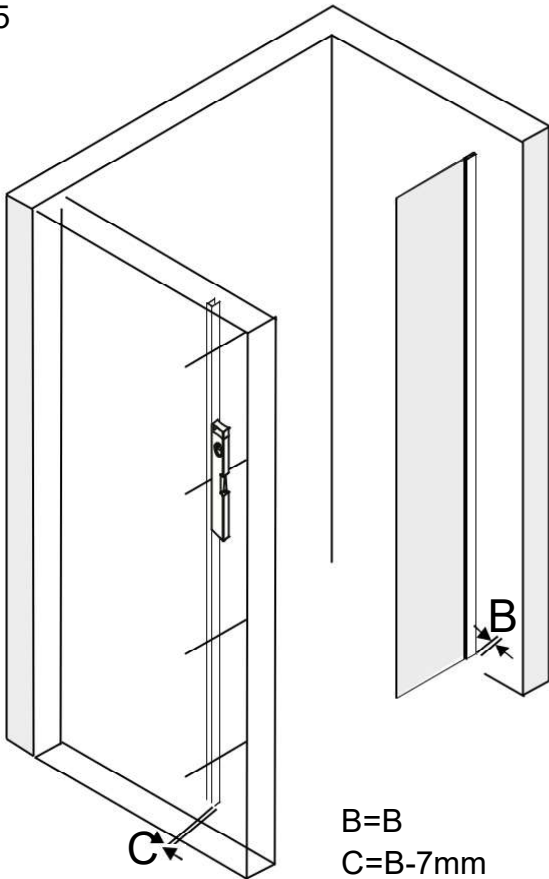
SUITE / CONTINUED

A₀₄



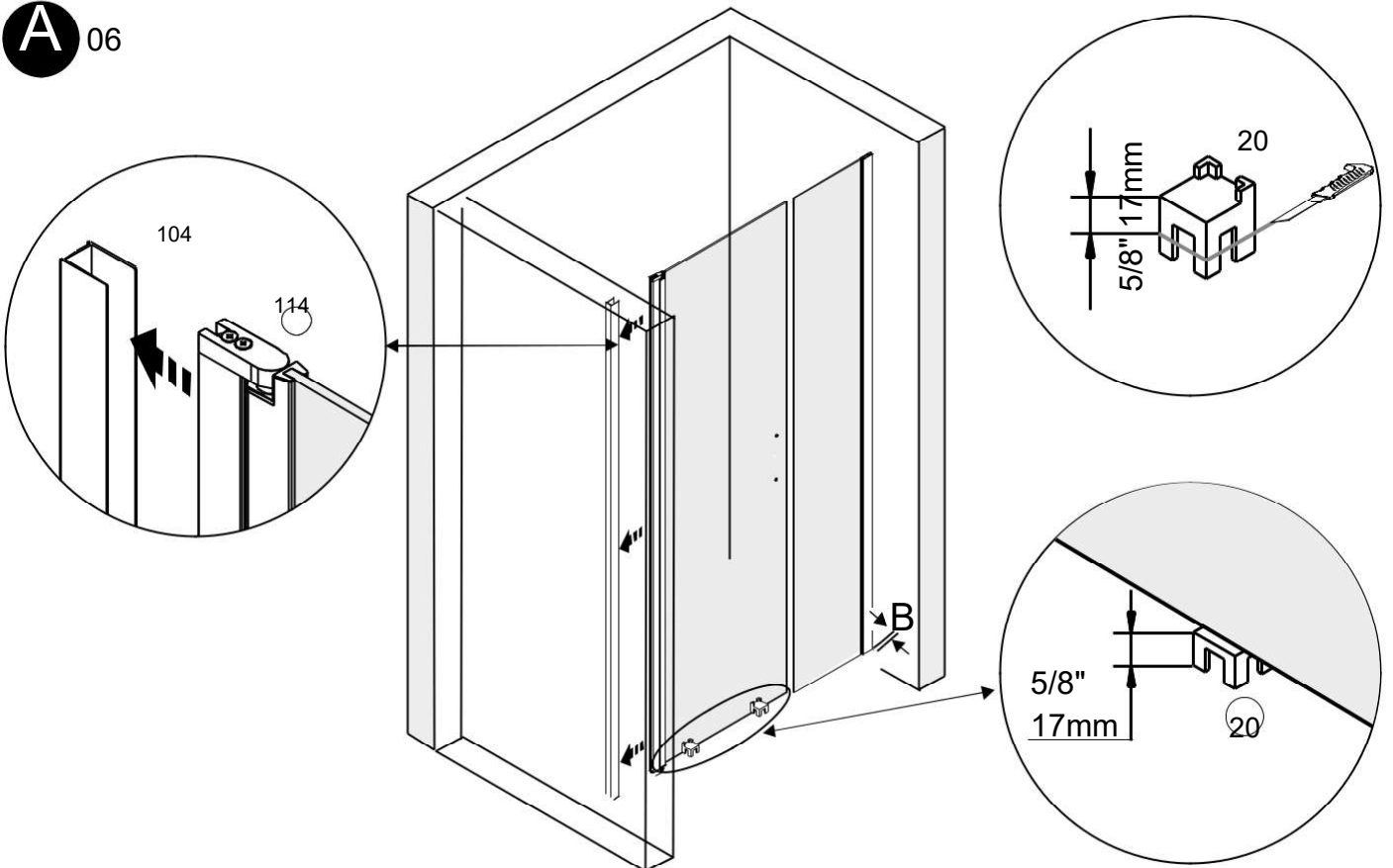
SUITE / CONTINUED

05



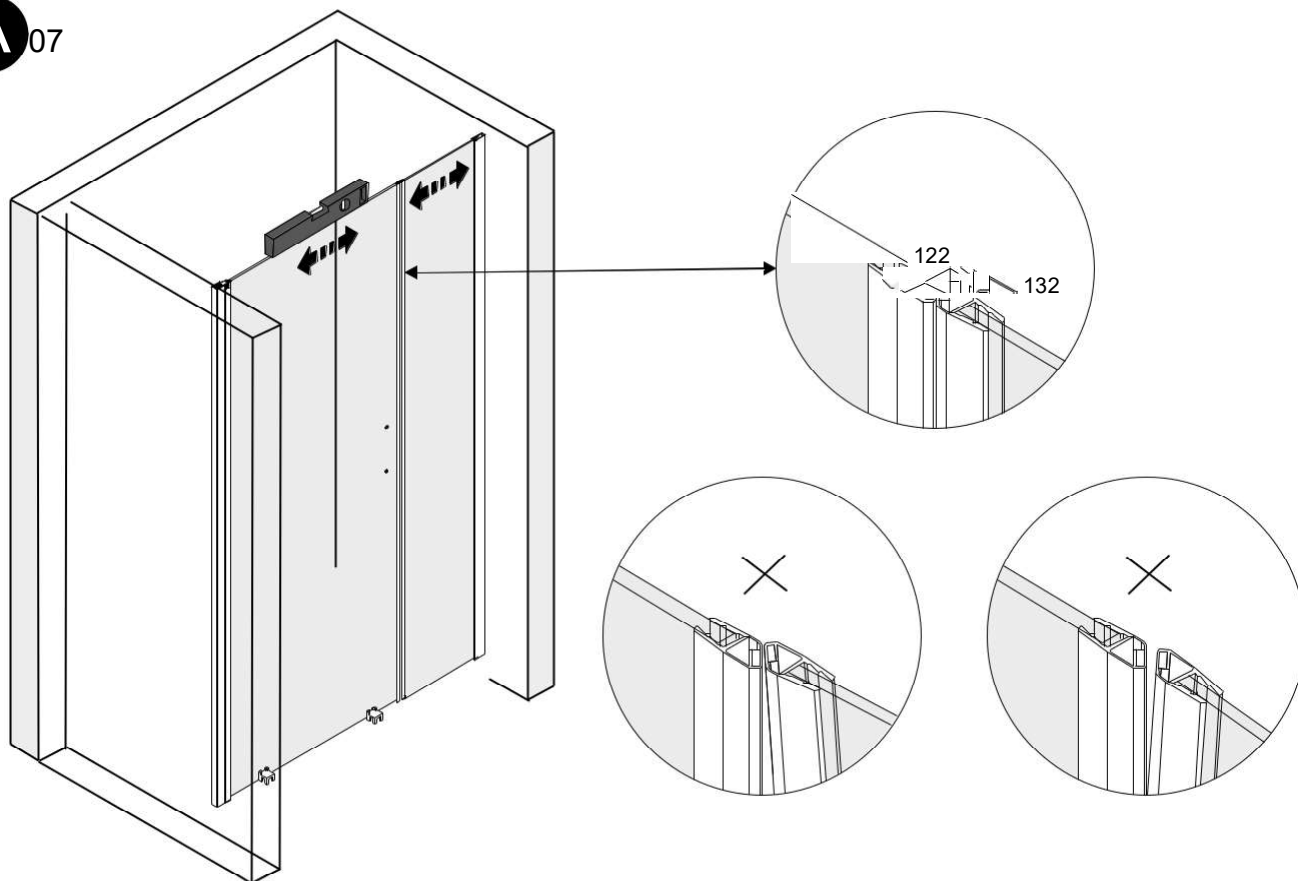
SUITE / CONTINUED

A 06



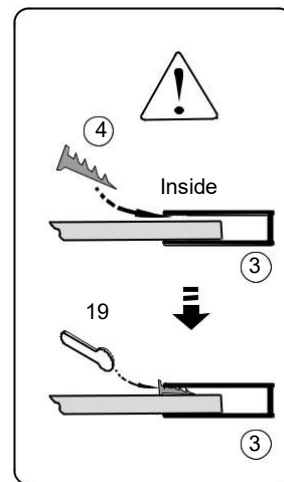
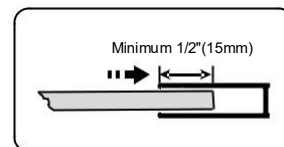
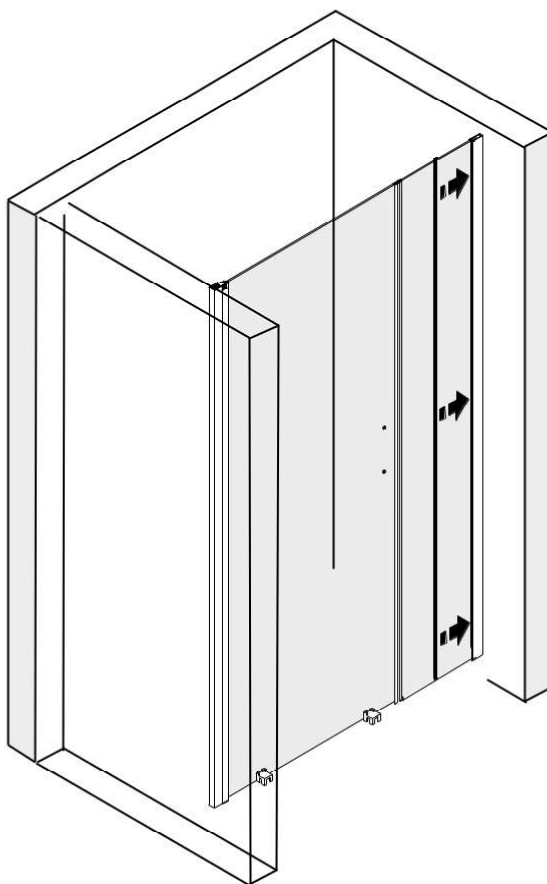
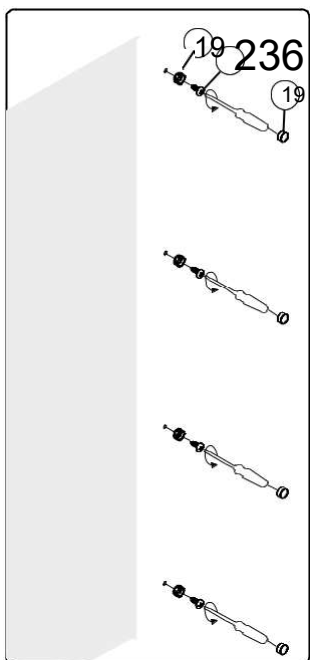
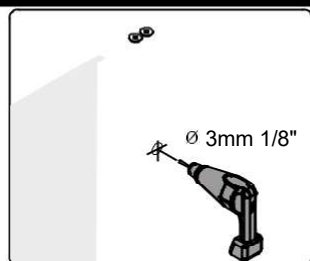
SUITE / CONTINUED

A₀₇



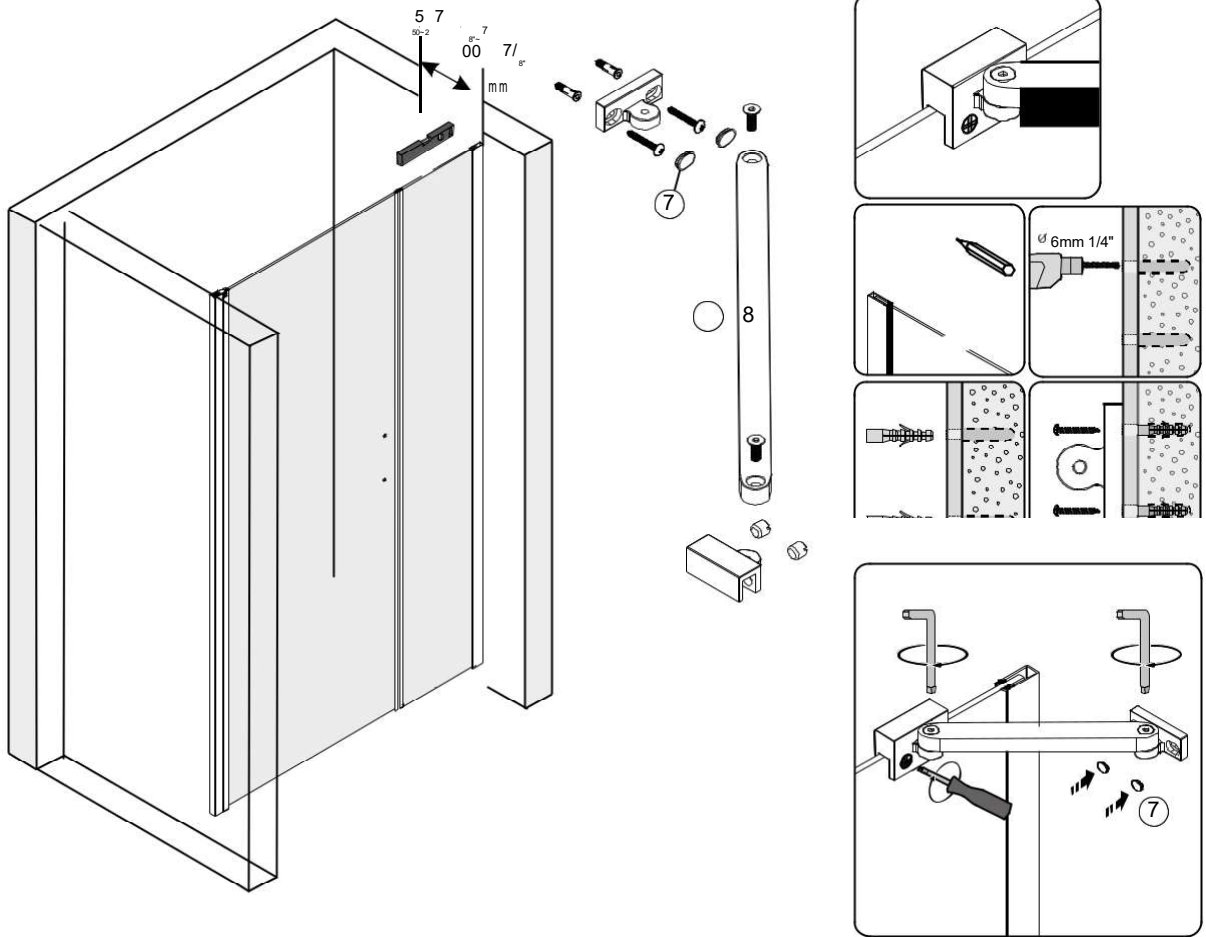
SUITE / CONTINUED

A₀₈



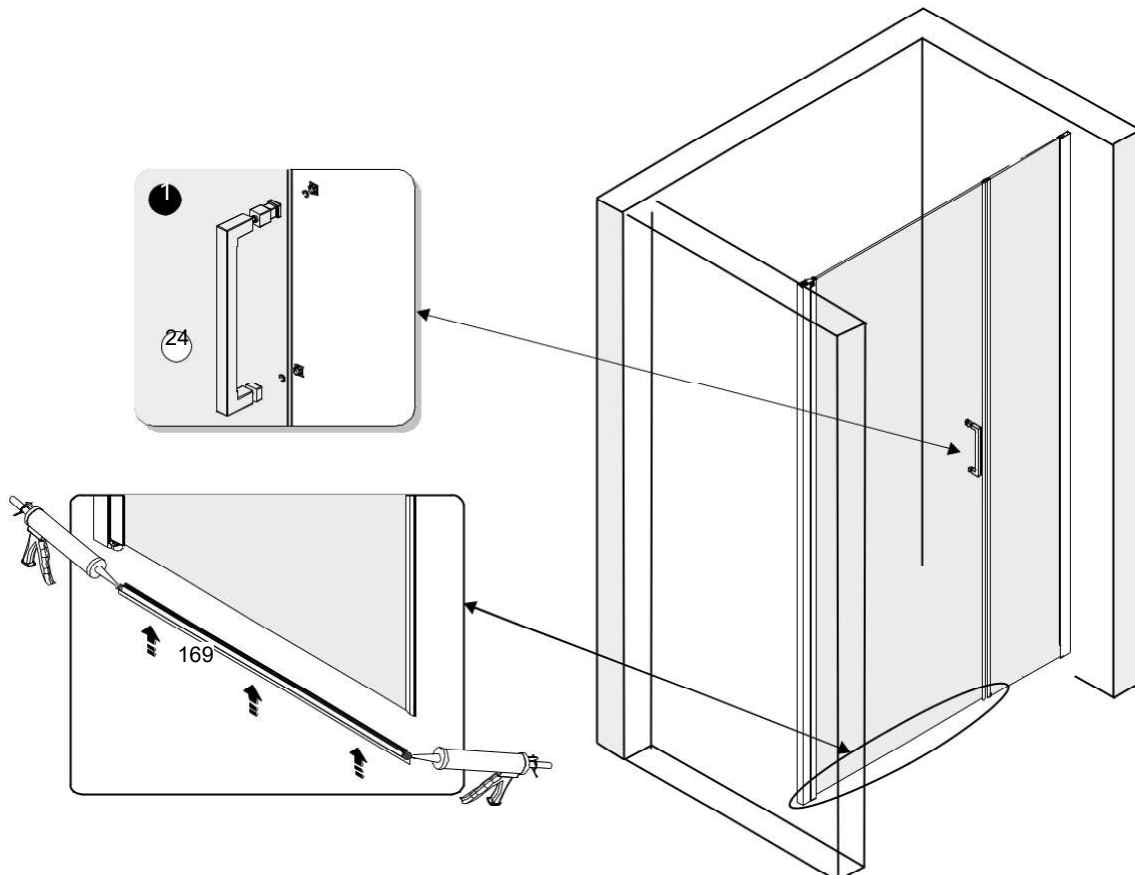
SUITE / CONTINUED

09



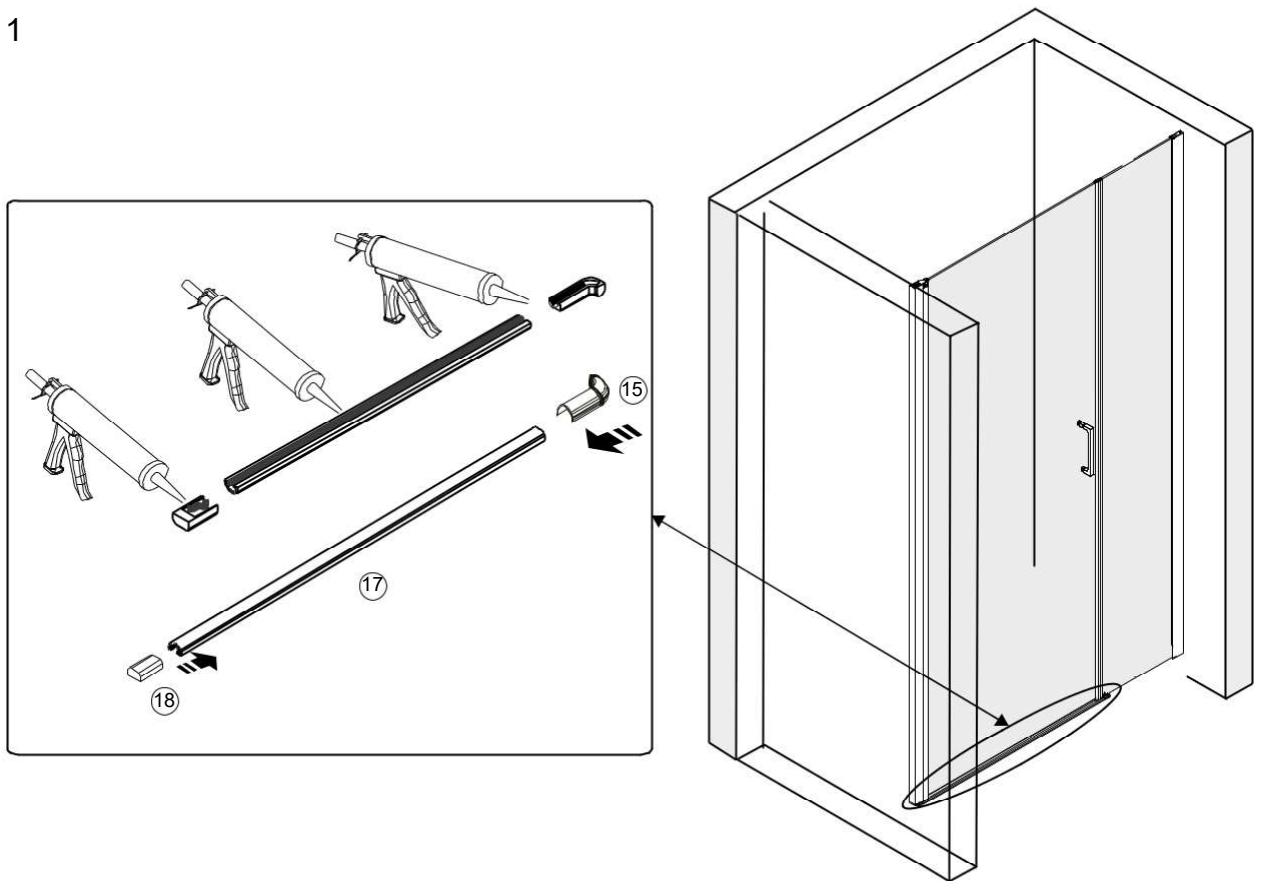
SUITE / CONTINUED

10



SUITE / CONTINUED

A₁₁



SUITE / CONTINUED

A₁₂

