
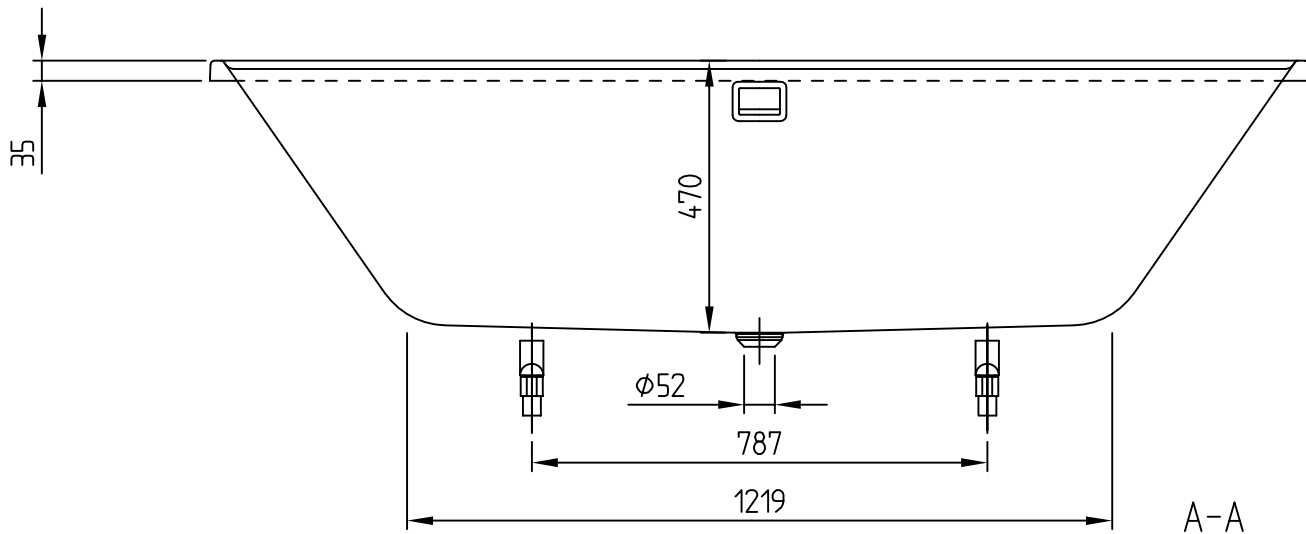


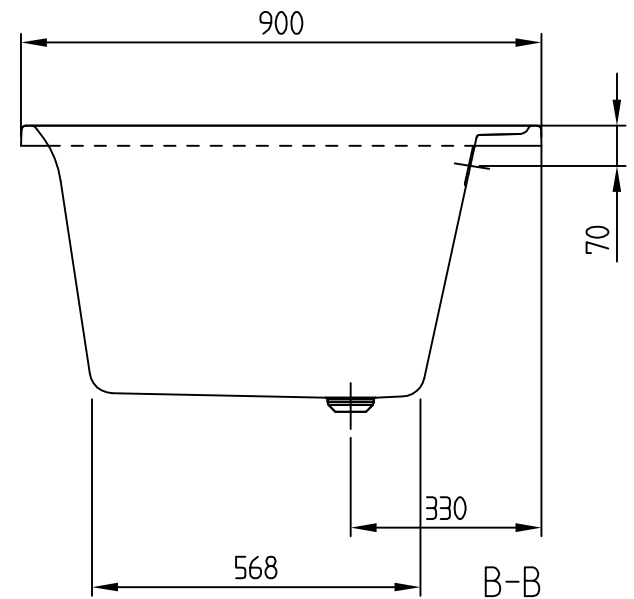
# UBA199COR2DV COLLARO

  
**Villeroy & Boch**  
1748

- This drawing is for information only.
- Dimensions on the actual product can deviate from this drawing.
- Claims about wrong dimensions on product or drawing will not be accepted.



A-A



B-B