

# PRODUCT DATA SHEET



## PRODUCT CODE

FO110DNF

## RANGE

Foile

## DESCRIPTION

Foile Basin Monobloc Brushed Brass

WEBSITE LINK [Click Here](#)

CATEGORY	Brassware
WARRANTY DETAILS	15 Years
COLOUR	Brushed Brass
FINISH APPLICATION	PVD
PRIMARY MATERIAL	Brass
INSTALL TYPE	Basin Mounted
PRODUCT WIDTH MM	56
PRODUCT HEIGHT MM	157
PRODUCT DEPTH MM	196
PRODUCT NET WEIGHT KG	1.96
STANDARDS	BS EN 200:2008

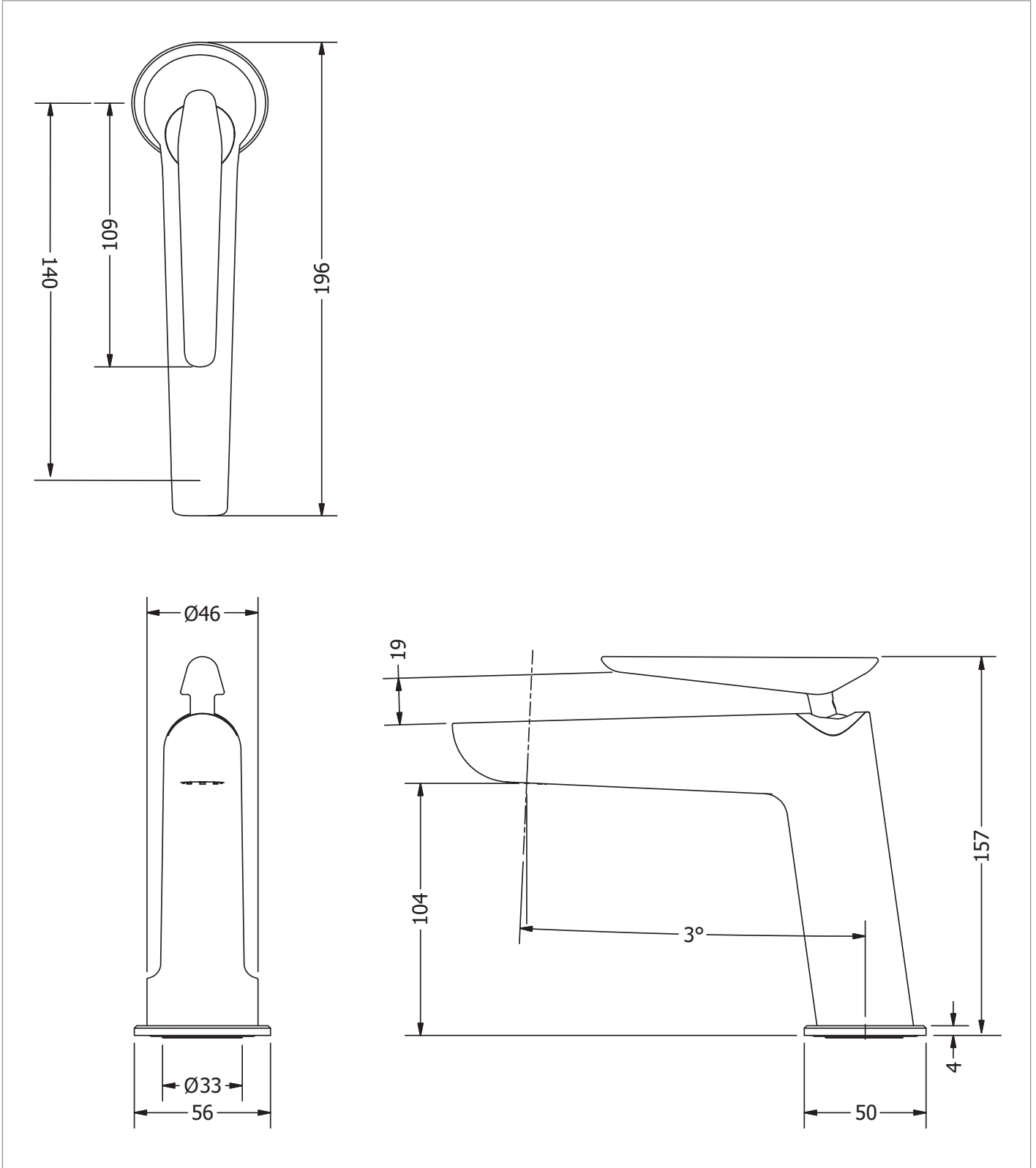
MINIMUM PRESSURE (BAR)	1
MAX WORKING PRESSURE (BAR)	5
HEADWORK	25mm Single lever ceramic cartridge
SPOUT PROJECTION	140
SWIVEL SPOUT	No
INLET CONNECTIONS THREAD	G1/2"
FLOW REGULATOR	Cache M16x1
WASTE INCLUDED	No
ANTI-SCALD	No
ENERGY SAVING	No
SHOWER HOSE & HANDSET ARE INCLUDED	No

PRESSURE (BAR)	0.2	0.5	1	2	3	4	5
PRIMARY FLOWRATE			3.4	4.8	5	5	5
HANDSET FLOWRATE							
MASSAGE FLOW RATE							
AIR FLOW RATE							
WIRE FLOW RATE							
WATERFALL FLOW RATE							
MIST FLOW RATE							
HANDSPRAY FLOW RATE							

## TECHNICAL DIMENSIONS

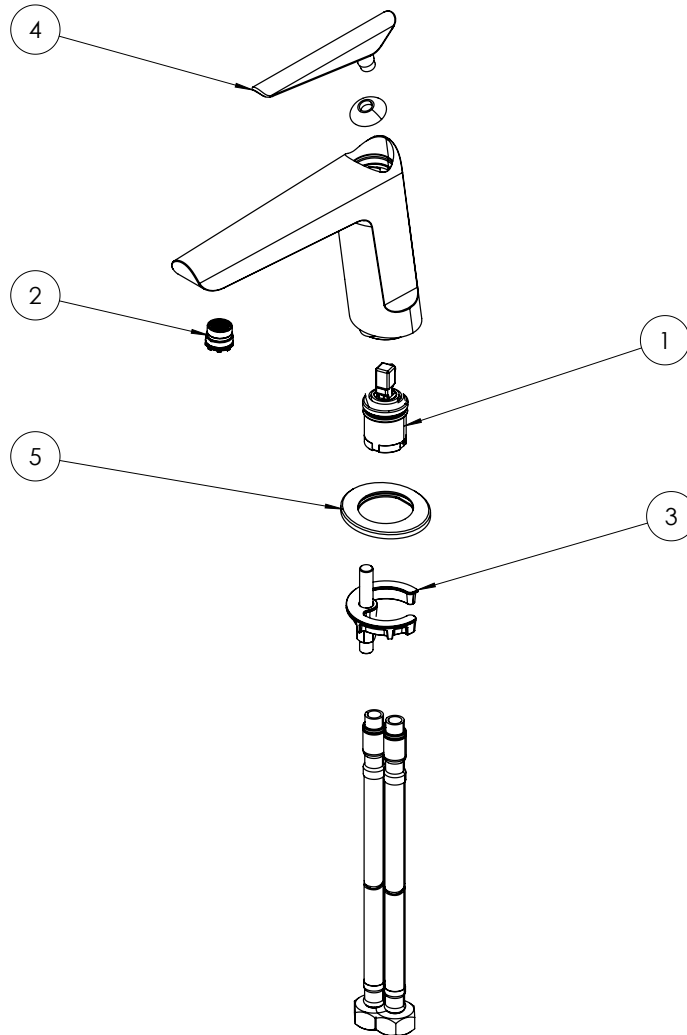
Dimensions in mm unless otherwise specified.

Tolerances (per material type) apply.



## SPARES LIST

Only the parts labelled are available as spares.



NUMBER	PART CODE	DESCRIPTION
1	57FLSP001	FO110 FO120 Cartridge
2	57FLSP003	FO110 FO120 FO130 FO135 Aerator
3	57FLSP005	FO110 Clamping Set
4	57FLSP006C	FO110 Handle Set Chrome
	57FLSP006F	FO110 Handle Set Brushed Brass
	57FLSP006M	FO110 Handle Set Matt Black
5	57FLSP015C	FO110 Basin Mono Base Plate Chrome
	57FLSP015F	FO110 Basin Mono Base Plate Brushed Brass
	57FLSP015M	FO110 Base Plate Matt Black