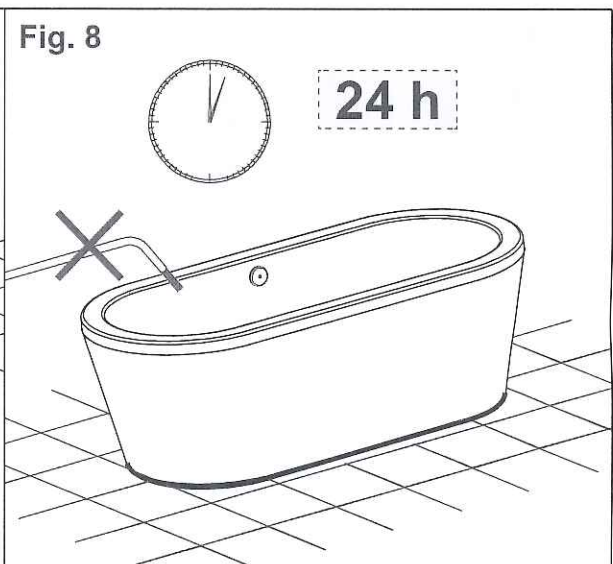
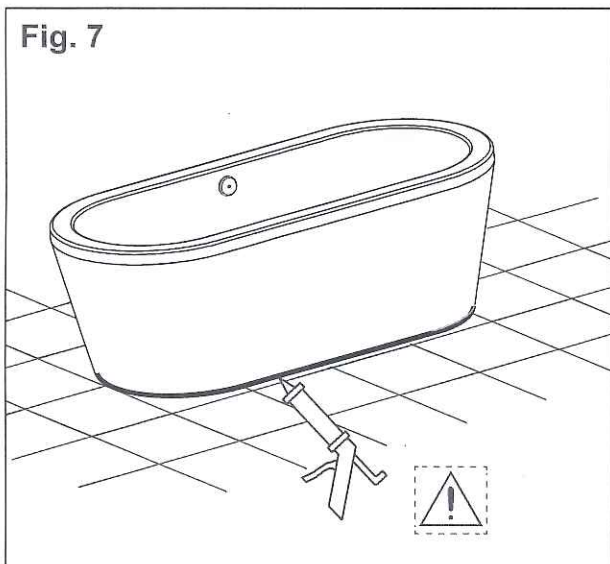
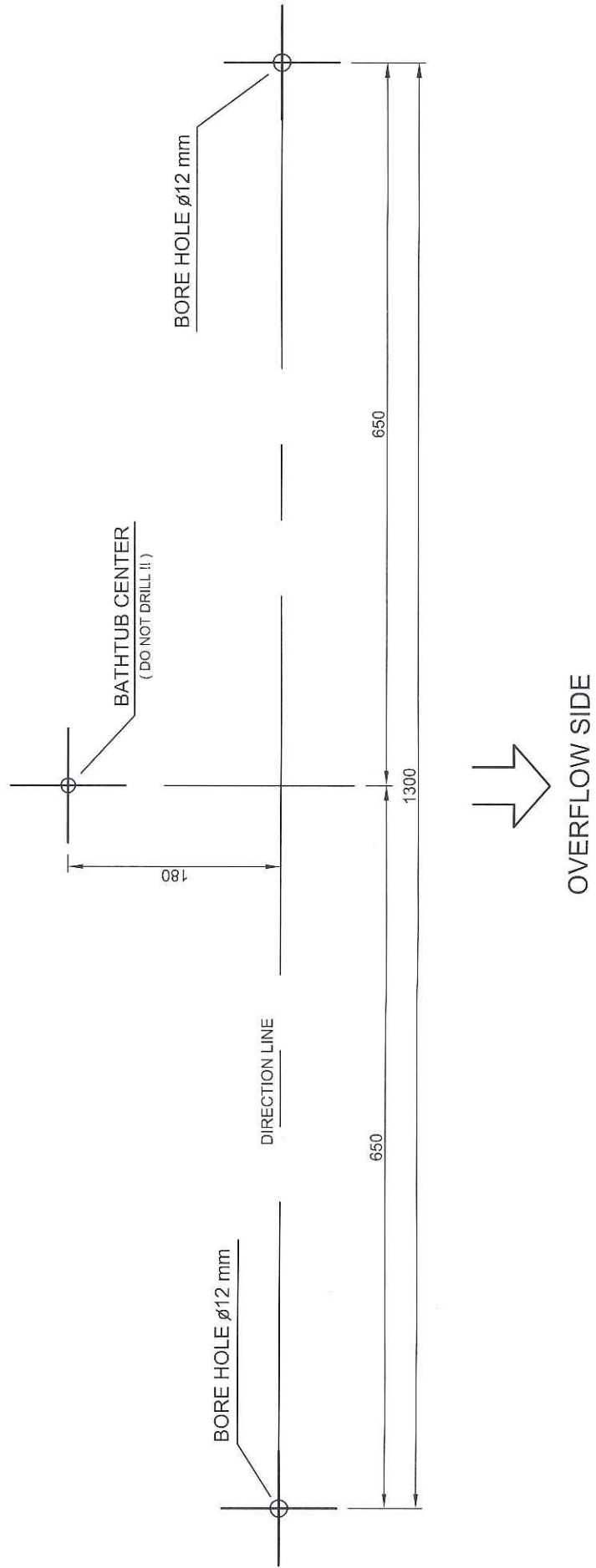


OPT.:



FLOOR DRILLING TEMPLATE

1. Define a center of the bathtub
2. Mark direction line on the floor to be parallel with front edge (overflow side) of the bathtub
3. Drill two holes $\varnothing 12$ mm, 70 mm deep, as marked on the direction line
4. Remove dust from holes and Insert PVC plugs to be aligned with the floor surface
5. Insert bolts 8x60 mm in plugs and screw them using Torx wrench Tx 25 until plastic cap of the bolt reaches the floor level



FLOOR DRILLING TEMPLATE

1. Define a center of the bathtub
2. Mark direction line on the floor to be parallel with front edge (overflow side) of the bathtub
3. Drill two holes $\varnothing 12$ mm, 70 mm deep, as marked on the direction line
4. Remove dust from holes and Insert PVC plugs to be aligned with the floor surface
5. Insert bolts 8x60 mm in plugs and screw them using Torx wrench Tx 25 until plastic cap of the bolt reaches the floor level

