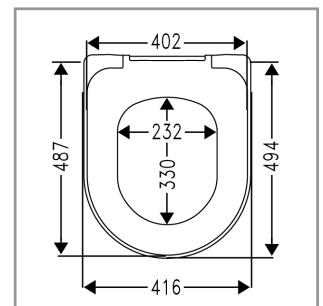


## Toilet seat Architectura

**Model** — 9M8361 Architectura toilet seat incl. 9224 56 61 hinge

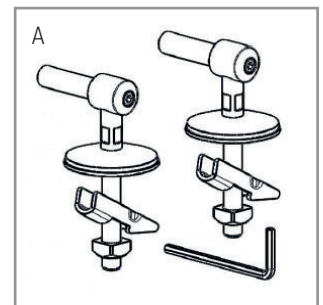
**Product Description** — Architectura toilet seat in Wrap Over design made of colour ingrained duroplast

- incl. hinge in stainless steel and nylon
- centre distance: 180 mm
- load of ring seat: 240 kg
- 10 years guarantee



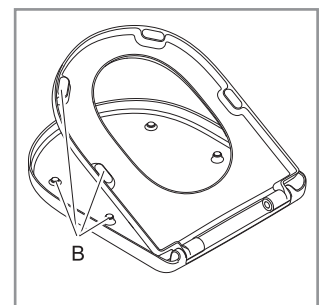
**Colour Programme** — 01 White

**Hinge Finish** — 61 Stainless steel



**Spare Parts** — A) 9224 56 61 Hinge in stainless steel and nylon  
B) 9219 48 00 Buffer for seat and cover

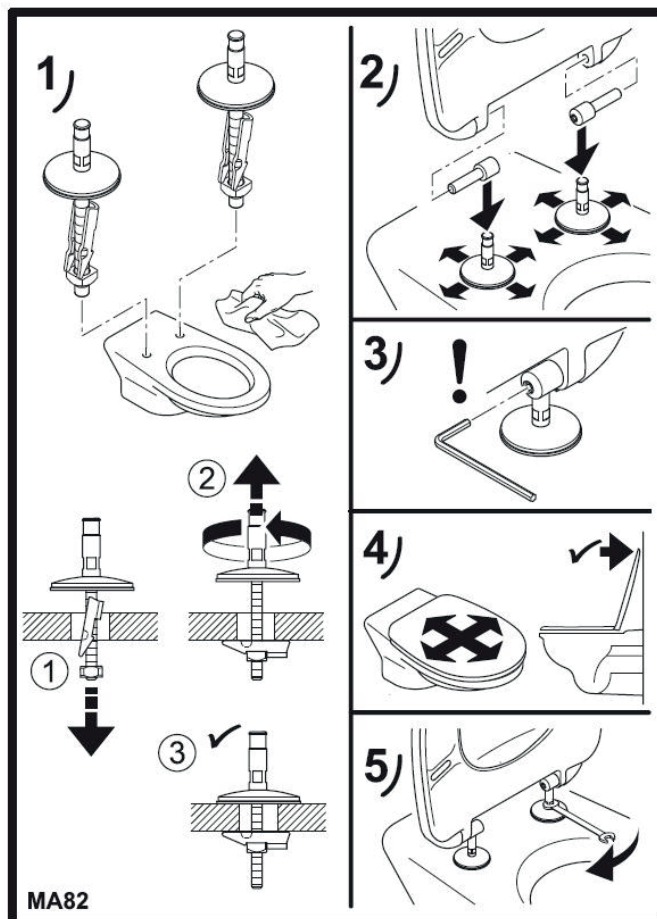
**Cleaning Instructions** — Use a mild soap solution. Seat and hinges should not be left damp, but be dried with a soft cloth. When using abrasive, corrosive or chlorine based cleaners for the bowl, avoid contact with seat and hinges as it may lead to damages or flash rust. Therefore, when cleaning the bowl, make sure that seat and cover are in an upright position until all the cleaner has been flushed away.



Villeroy & Boch

1748

## Installation Instructions



## Material Description

**TOILET SEAT:** The material is colour ingrained duroplast (UF A 10 = urea formaldehyde) that contains no environmentally hazardous substances. UF plastic comprises 67% urea formaldehyde resin, 28% cellulose, as well as 5% minerals, pigments, lubricants and moisture content. The raw material from the supplier contains < 0.03% free formaldehyde and even less following curing.

**BUFFERS:** PE (Polyethylene)

**HINGES:** Stainless steel and nylon

## Guarantee

The guarantee includes faults or defects in the material of our products within a period of 10 years. Products subject to minor technical modifications and design deviations E. & O.E.