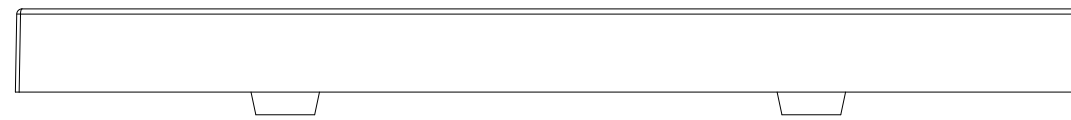
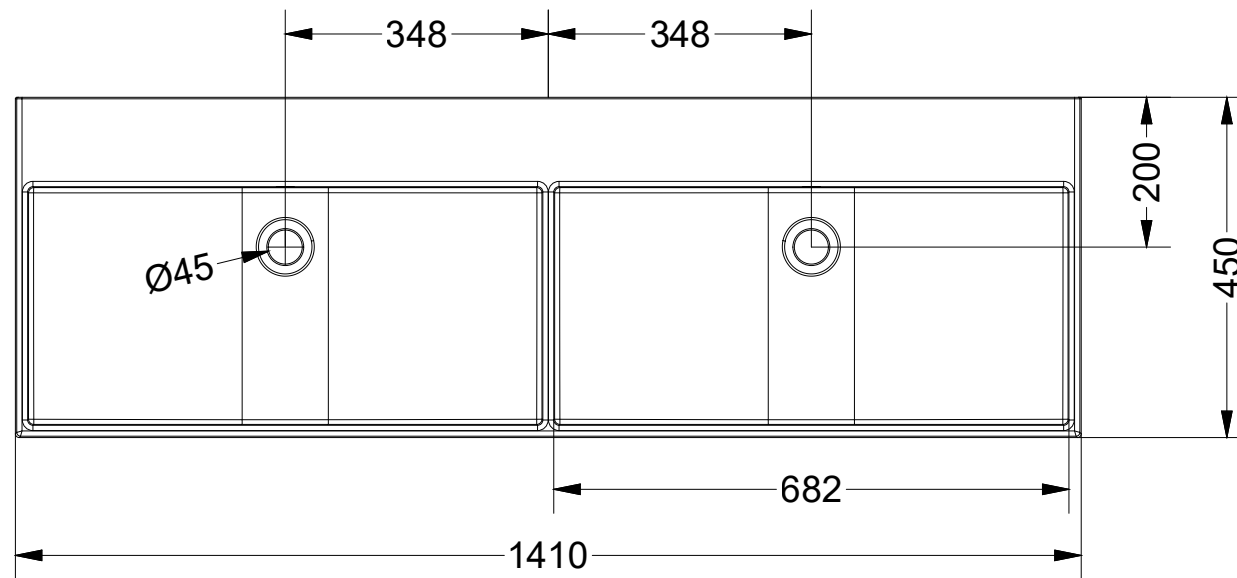
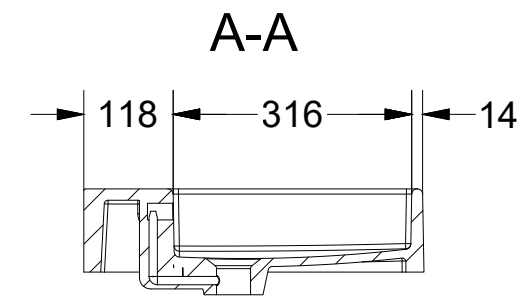


A



A



Notes	Unless otherwise specified		Name	Date	
	Dimensions	MM	Drawn	Peter Heavens	26-mei-21
	Tolerance		Checked		Part Number
	Scale		Approved		Unlimited 140cm double zonder kraan gat 0202111.dwg
	Material		SANIBELL		Version
Color		1			1 / 1

All achieved (originals of) results (such as designs, design sketches, concepts, advice, working drawings, illustrations, photos, prototypes, models, molds, prototypes, (partial) products, presentations and other materials or (electronic) files, etc.) remain the property of Sanibell, whether or not they have been made available to third parties. All resulting intellectual property rights - including patent, trademark, drawing or design rights and copyright - on the results of the proposal belong to Sanibell.