

Inschrijving tekst



Artikelnr.: [99371956](#)

ALPHA3 25-40 180

High efficiency canned-rotor circulator, designed for circulating liquids in heating systems. With a world-class energy efficiency index (EEI) well below the ErP benchmark it ensures substantial energy savings.

The ALPHA3 has built-in Bluetooth radio and is completely controlled by a smart device via Grundfos GO Remote App. It gives step by step assistance to pump configuration, maintenance and commissioning.

The ALPHA3 communicates directly with the Grundfos GO Balance App, which enables the installers to perform fast and easy hydronic balancing.

The AUTOADAPT function which is integrated in the radiator and underfloor mode continuously adjusts the pump performance to the actual heat demand, i.e. the size of the system and the changing heat demand during the year. The AUTOADAPT feature will find the setting that provides optimal comfort with minimal energy consumption. In that, it also makes the commissioning fast, safe, and easy.

Features

- Radiator mode with AUTOADAPT the simple choice for two-string radiator heating systems
- Underfloor mode with AUTOADAPT the simple choice for underfloor heating systems
- Combined radiator and underfloor mode for systems with a combination of heating systems
- In scheduling and summer mode a realtime clock makes it possible to select when the pump should operate and not to save energy
- Simple user interface - the pump is completely operated from the Grundfos GO Remote App
- Alarm and warning log with assistance via Grundfos Go Remote
- No external motor protection required reducing installation time
- High-torque start improves startup under harsh conditions
- Dry-run protection during startup and normal operation
- Maintenance free due to canned-rotor design and use of robust components
- ALPHA plug makes electrical installation quick and easy
- Insulating shells are supplied with pumps to minimize heat loss in heating systems

In addition, the pump also features three control modes with incremental set point adjustment which makes it possible to adjust pump setting to a given duty point:

- proportional-pressure control
- constant-pressure control
- constant-curve mode

The display shows the actual power consumption in Watts or actual flow in m³/h. LEDs indicate the actual operating status.

The design of the pump and chosen materials contribute to long life. The pump is self-venting through the system, which contributes to easy commissioning. The compact design, featuring a pump head with an integrated control box, fits into most common installations. Pump and motor form an integral unit without a shaft seal. The bearings are lubricated by the pumped liquid. These constructional features ensure maintenance-free operation.

The pump housing is made of cast iron. The pump housing and pump head are electrocoated to improve corrosion resistance.

The motor is a synchronous permanent-magnet motor characterized by high efficiency. The pump speed is controlled by an integrated frequency converter incorporated in the control box.

The benchmark for the most efficient circulators is EEI 0.20.

Vloeistof:

Te verpompen medium: Water
Bereik vloeistoftemperatuur: 2 .. 110 °C
Liquid temperature during operation: 60 °C
Dichtheid: 983.2 kg/m³

Technisch:

TF klasse: 110
Keurmerken op typeplaat: VDE,CE,EAC

Materialen:

Pomphuis: Gietijzer
EN-GJL-150
ASTM A48-150B
Waaier: PES 30%GF

Installatie:

Reeks van omgevingstemperaturen: 0 .. 40 °C
Maximale bedrijfsdruk: 10 bar
Leidingaansluiting: G 1 1/2
Druktrap: PN 10
Inbouwlengte: 180 mm

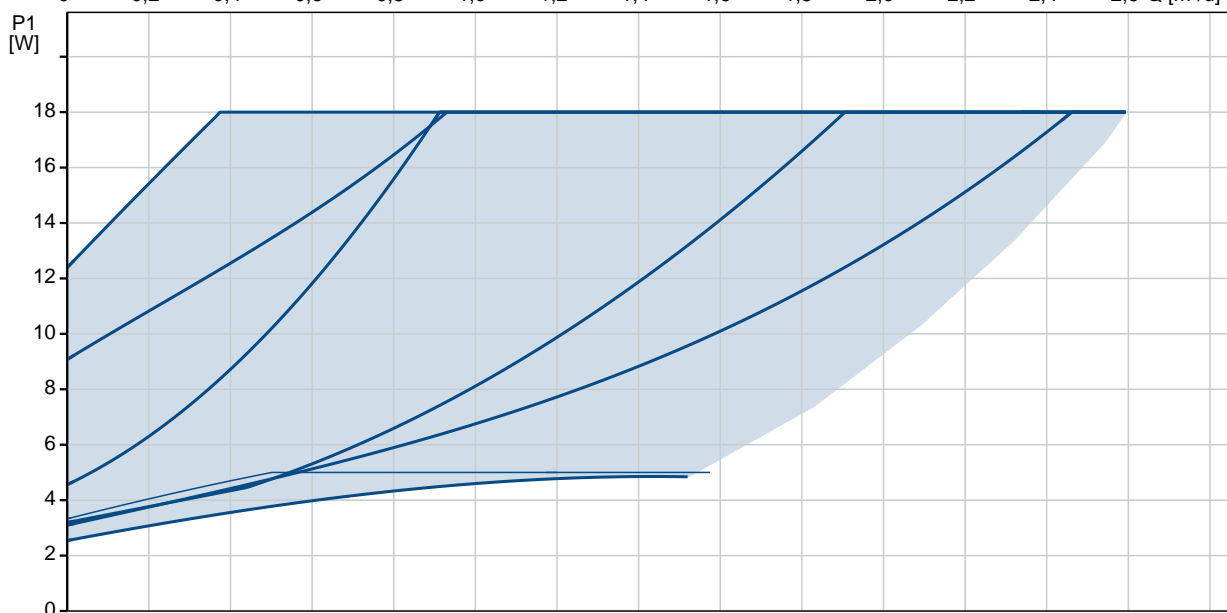
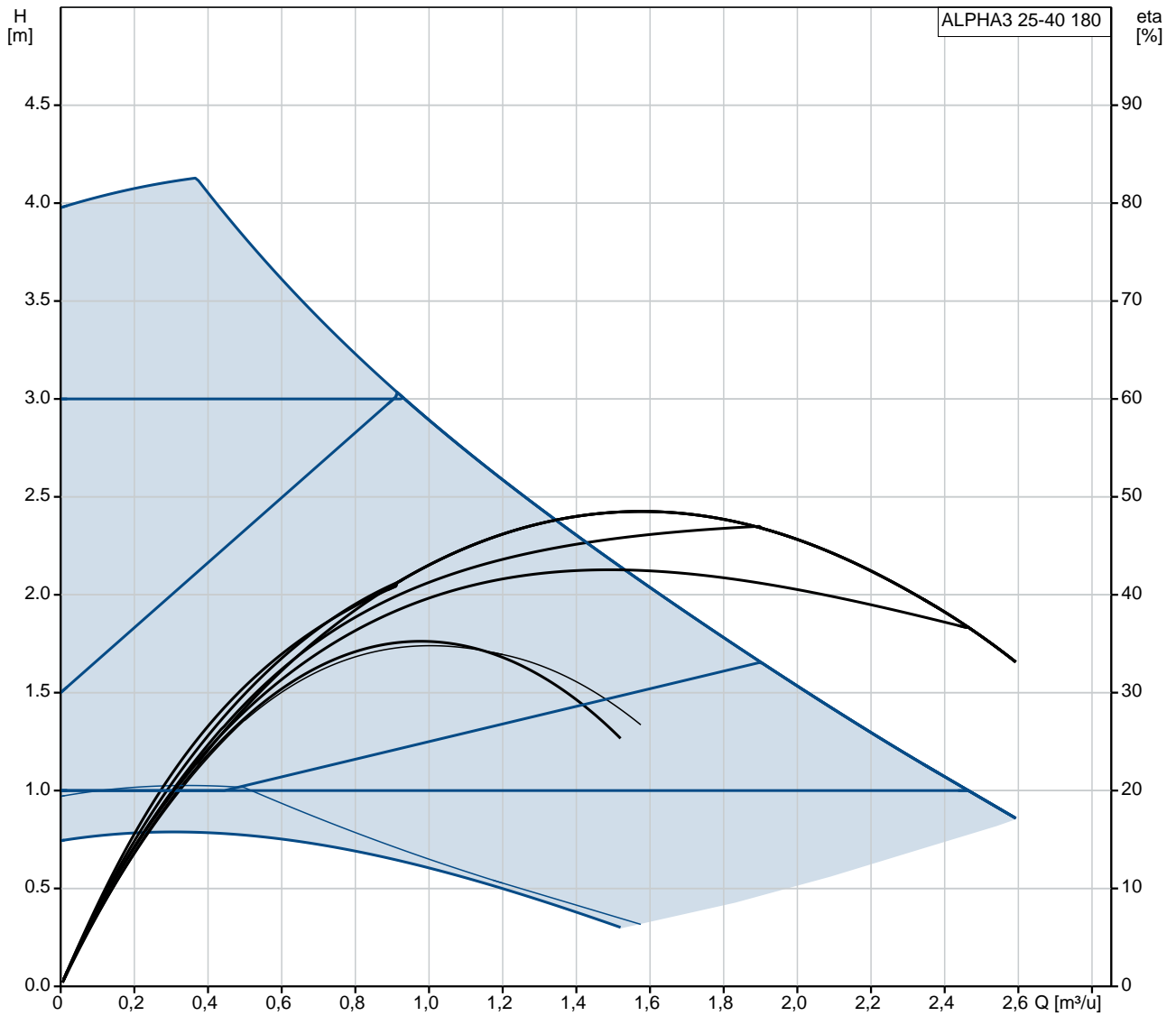
Elektrische gegevens:

Vermogen - P1: 3 .. 18 W
Netfrequentie: 50 Hz
Nominale spanning: 1 x 230 V
Maximum stroomverbruik: 0.04 .. 0.18 A
Dichtheidsklasse (IEC 34-5): X4D
Insolatie klasse (IEC 85): F

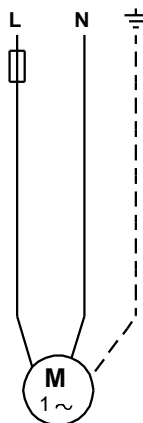
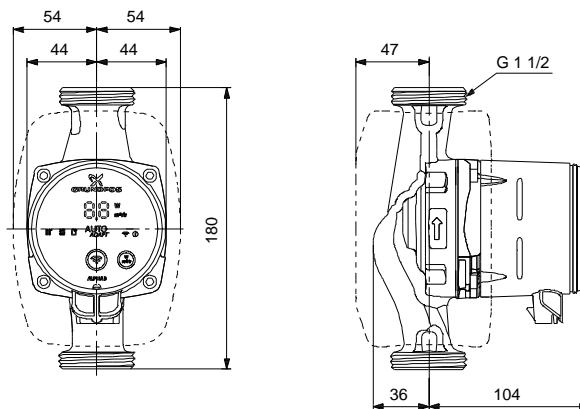
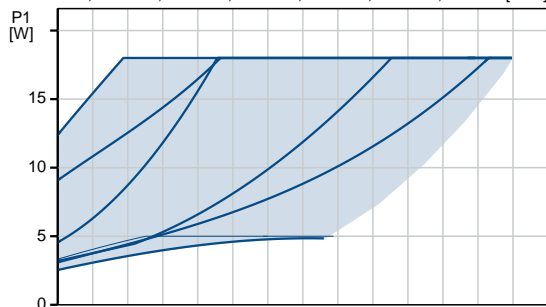
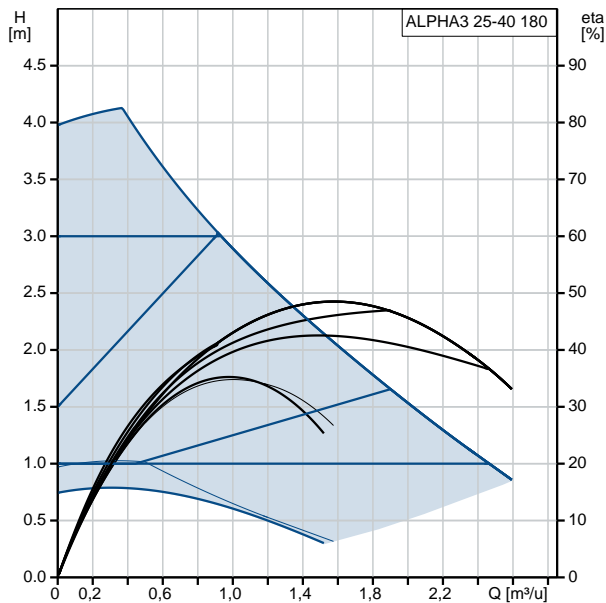
Overige:

Energie (EEI): 0.15
Netto gewicht: 2.35 kg
Bruto gewicht: 2.47 kg
Transportvolume: 0.004 m³
Danish VVS No.: 380474240
Swedish RSK No.: 5758792

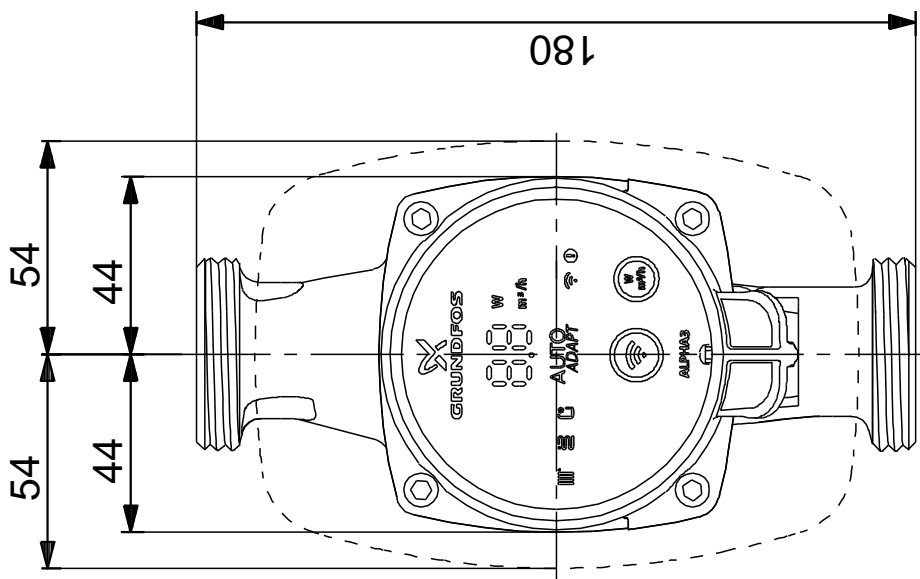
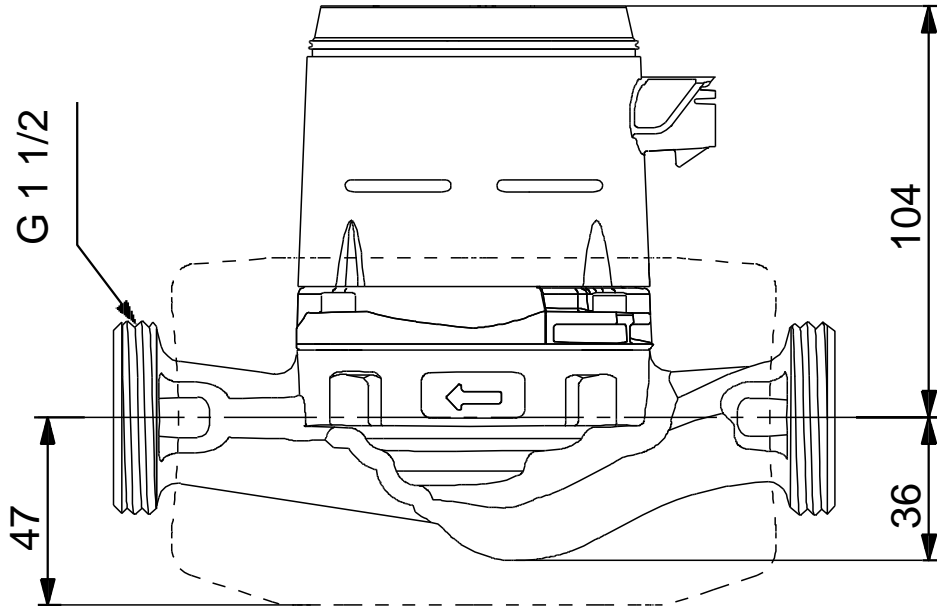
99371956 ALPHA3 25-40 180 50 Hz



Omschrijving	Specificatie
Algemene informatie:	
Productnaam::	ALPHA3 25-40 180
Artikelnummer::	99371956
EAN nummer::	5713828026606
Technisch:	
Max. opvoerhoogte:	40 dm
TF klasse:	110
Keurmerken op typeplaat:	VDE,CE,EAC
Model:	B
Materialen:	
Pomphuis:	Gietijzer EN-GJL-150 ASTM A48-150B
Waaier:	PES 30%GF
Installatie:	
Reeks van omgevingstemperaturen:	0 .. 40 °C
Maximale bedrijfsdruk:	10 bar
Leidingaansluiting:	G 1 1/2
Druktrap:	PN 10
Inbouw lengte:	180 mm
Vloeistof:	
Te verpompen medium:	Water
Bereik vloeistoftemperatuur:	2 .. 110 °C
Liquid temperature during operation:	60 °C
Dichtheid:	983.2 kg/m ³
Elektrische gegevens:	
Vermogen - P1:	3 .. 18 W
Netfrequentie:	50 Hz
Nominale spanning:	1 x 230 V
Maximum stroomverbruik:	0.04 .. 0.18 A
Dichtheidsklasse (IEC 34-5):	X4D
Insolatie klasse (IEC 85):	F
Motorbeveiliging:	GEEN
Thermische beveiliging:	ELEC
Regeling:	
Aut.nacht:	inclusief automatische nachtverlaging
Positie klemkast:	6H
Overige:	
Energie (EEI):	0.15
Netto gewicht:	2.35 kg
Bruto gewicht:	2.47 kg
Transportvolume:	0.004 m ³
Danish VVS No.:	380474240
Swedish RSK No.:	5758792

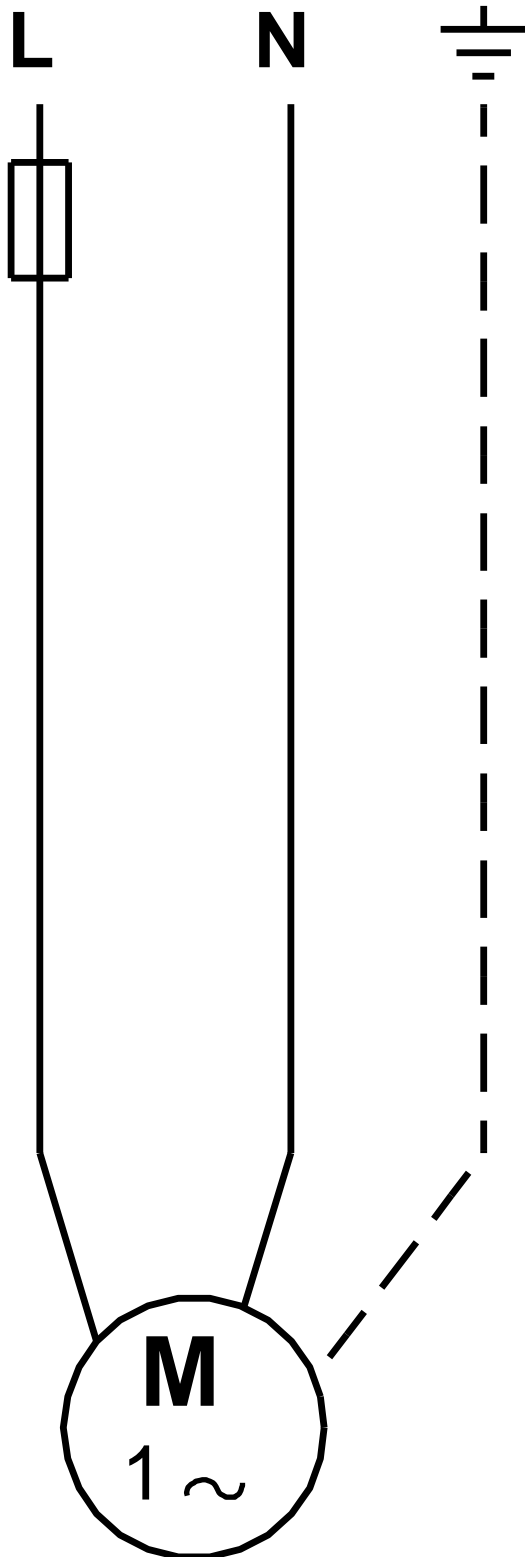


99371956 ALPHA3 25-40 180 50 Hz



Opm! Alle unit's zijn in [mm] tenzij anders aangegeven.
Disclaimer: Deze eenvoudige maatschets toont u niet alle details.

99371956 ALPHA3 25-40 180 50 Hz



Opm.: Alle eenheden in (mm) tenzij anders vermeld



Firma naam:
Gemaakt door:
Telefoon:

Datum: 6-7-2018

Bestelgegevens:

Productnaam: ALPHA3 25-40 180

Hoeveelheid: 1

Produkt nr.: 99371956

Totaal: Prijs op aanvraag
