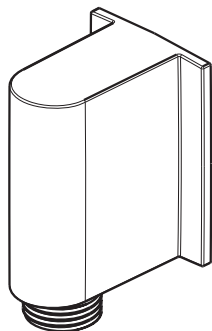
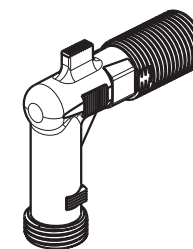
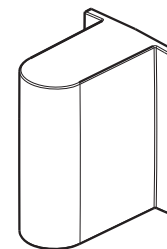
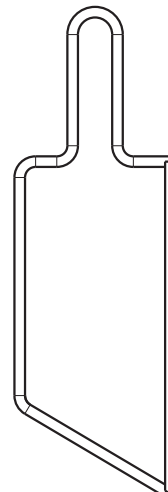
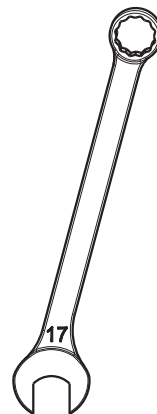


# PRO0355 V/M/F

MOUNTING INSTRUCTIONS I



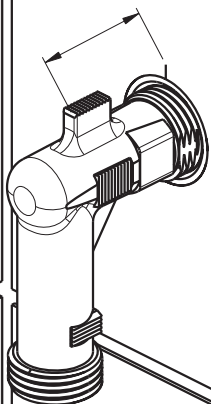
crosswater<sup>®</sup>



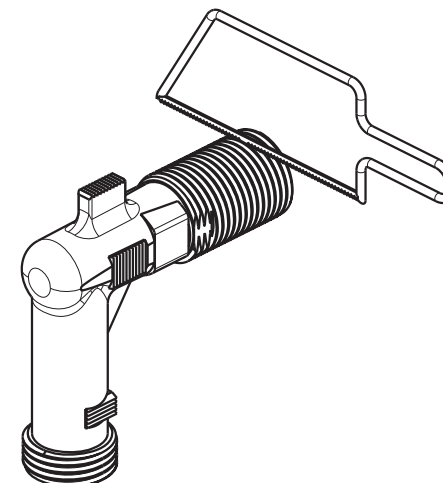
1x

1x

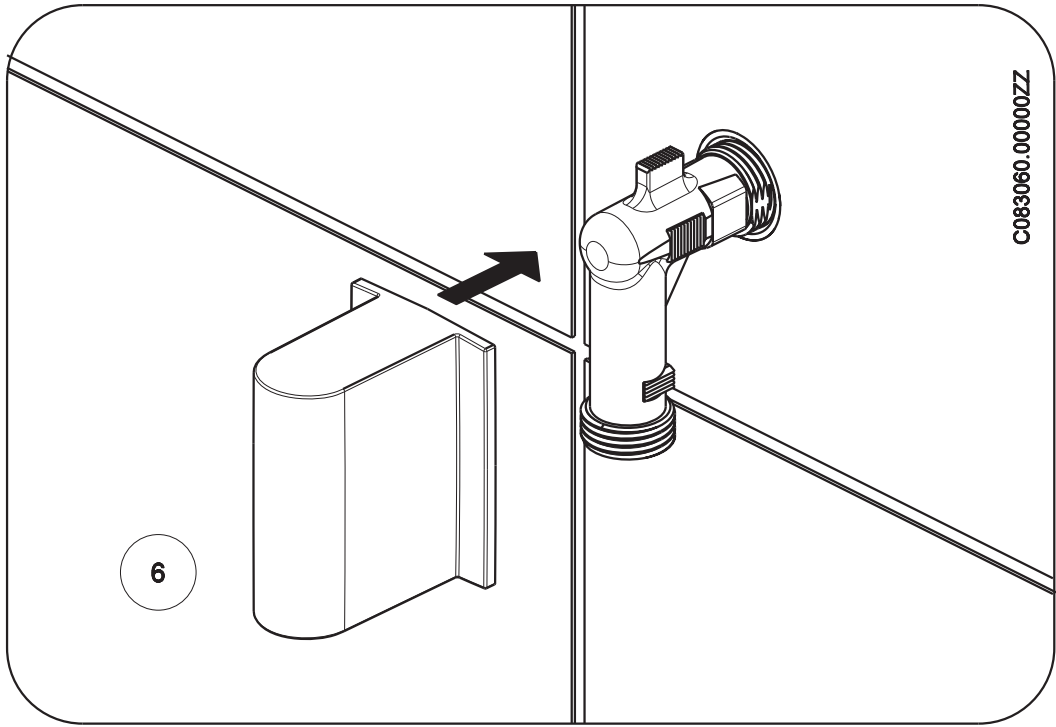
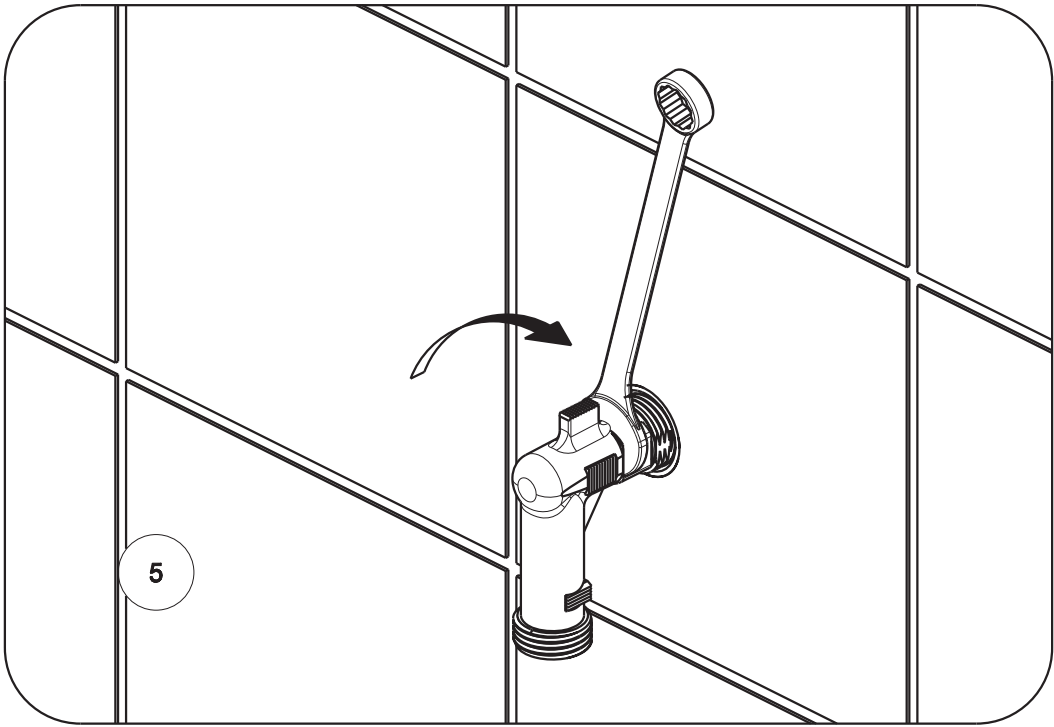
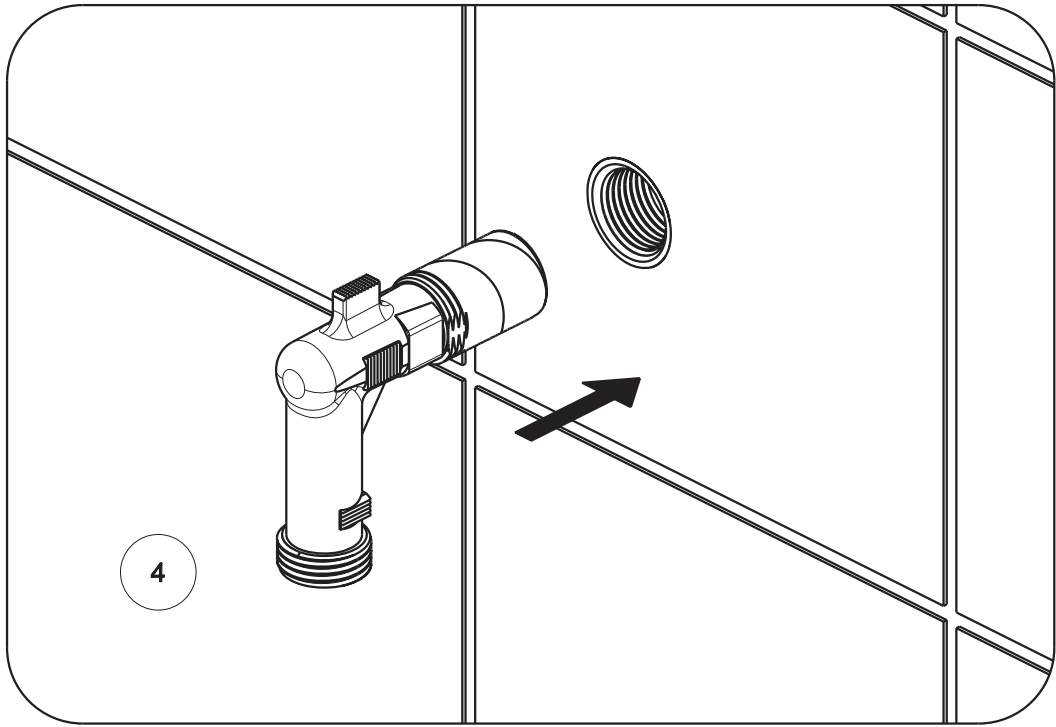
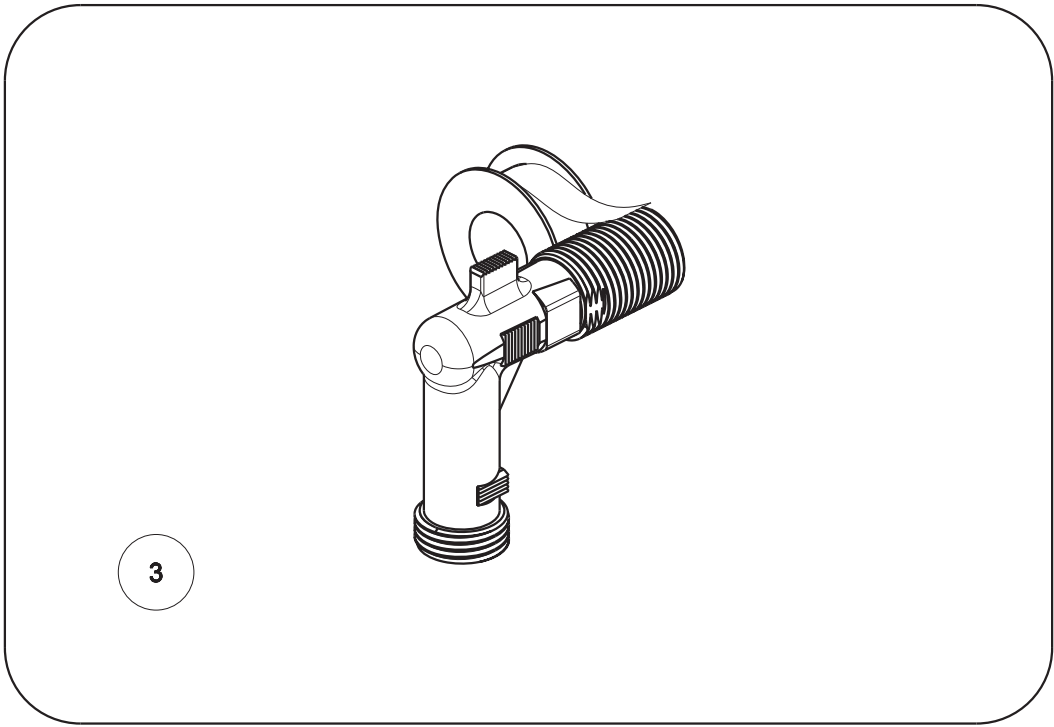
MIN 21 mm  
MAX 29 mm



1



2



C083060.0000ZZ