

# PRODUCT DATA SHEET



**PRODUCT CODE**  
PROMOD1601TRIMV

**RANGE**  
MODULE

**DESCRIPTION**  
Module 2 Control Trimset Stainless Steel Effect With Bath Spout

COLOUR Stainless Steel Effect

MATERIAL Brass

FINISH PVD

INSTALLATION TYPE Wall Mounted

WEIGHT 1.55kg

WARRANTY 15 Years

MIN. PRESSURE 1 Bar

MAX. PRESSURE 5 Bar

## MOD1701R - 2 OUTLET

PRESSURE (BAR)	FLOWRATE			
	EXIT 1	EXIT 2 BATH SPOUT	EXIT 1+2	
MID	0.5	9.2	8.5	10
	1	13	12.5	14.1
	2	18.7	18	20
HIGH	3	23	22.3	24.6
	4	26.5	26	28.6
	5	29.5	29	32

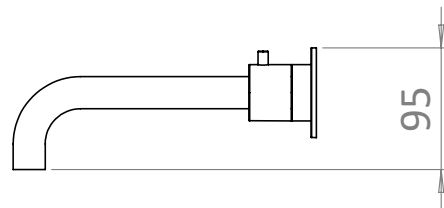
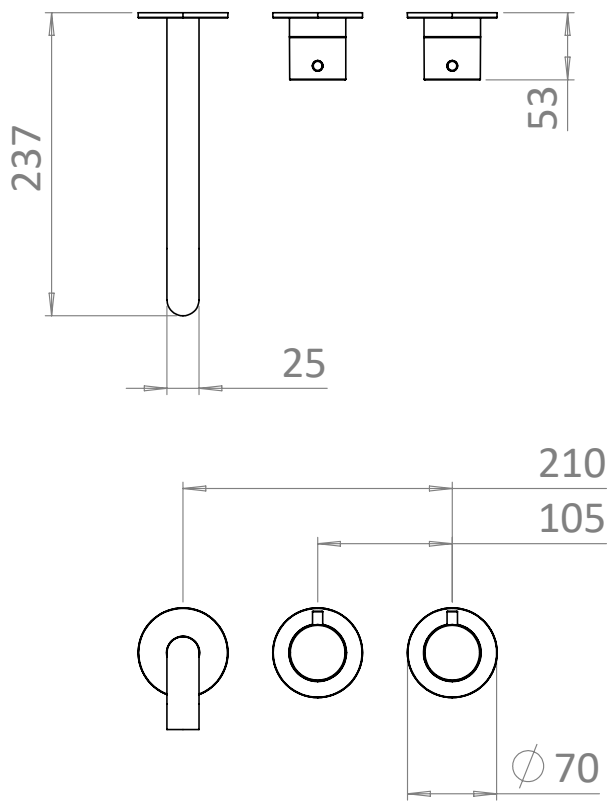
## MOD3701R - 3 OUTLET

PRESSURE (BAR)	FLOWRATE			
	EXIT 1	EXIT 2 BATH SPOUT	EXIT 3	
MID	0.5	10	8.5	9.7
	1	13.7	12.5	13.4
	2	19.5	18	19
HIGH	3	23.8	22.3	23.3
	4	27.5	26	26.8
	5	30.5	28.8	29.8

## TECHNICAL DIMENSIONS

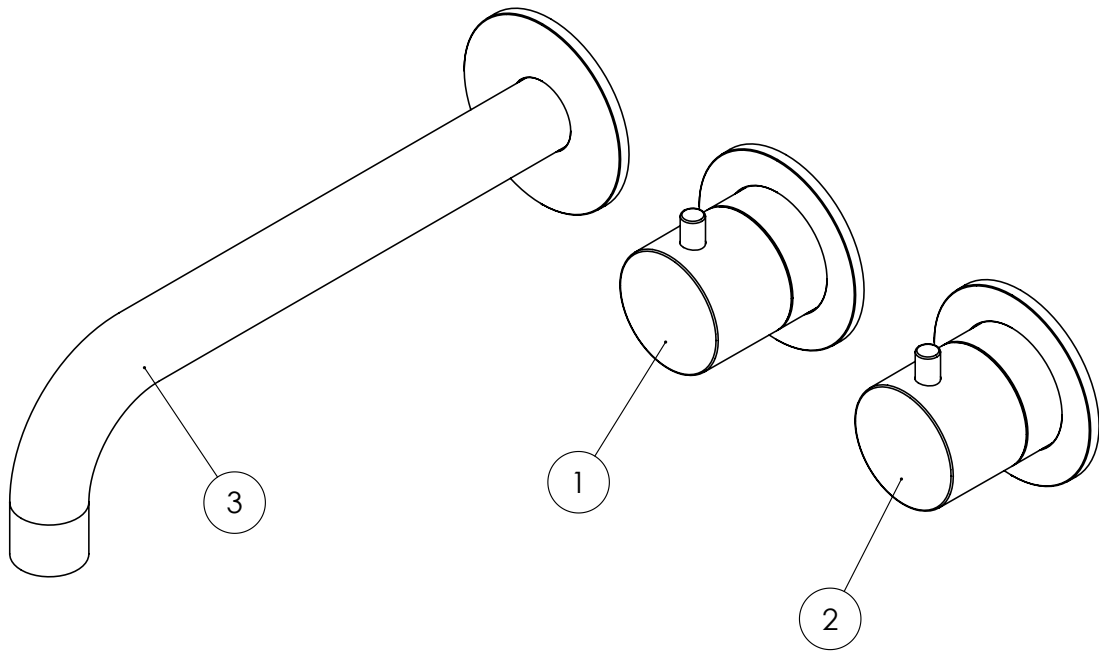
Dimensions in mm unless otherwise specified.

Tolerances (per material type) apply.



V10622

**SPARES DIAGRAM**



NUMBER	PART CODE	DESCRIPTION
1	E005058.275HESC	Mod Handle, Collar and Plate for Diverter Stainless Steel Effect
2	E005056.275HESC	Mod Handle, Collar and Plate for Diverter Stainless Steel Effect
3	E098007.275HESC	Module Bath Spout Stainless Steel Effect

Only the parts labelled are available as spares.

V10622