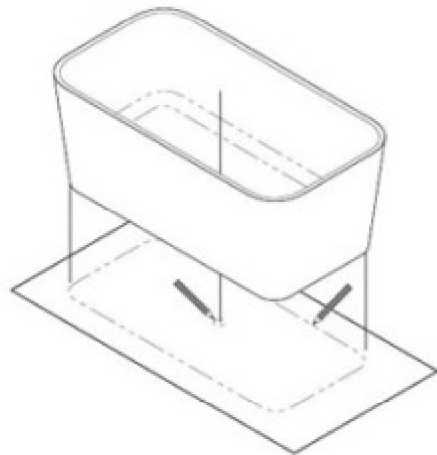
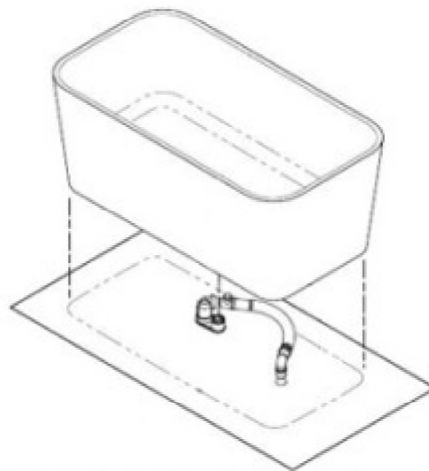


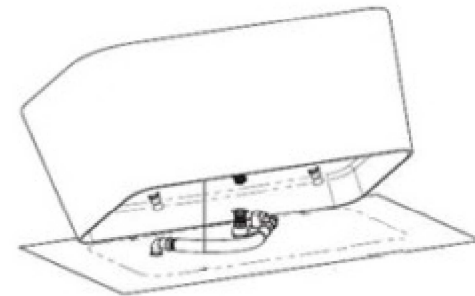
Installation Instruction



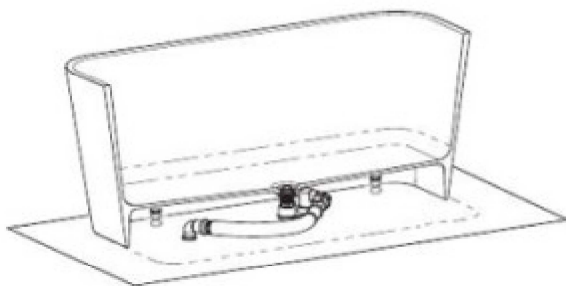
1. Fix the site of bath and drainer hole on the floor by pen.



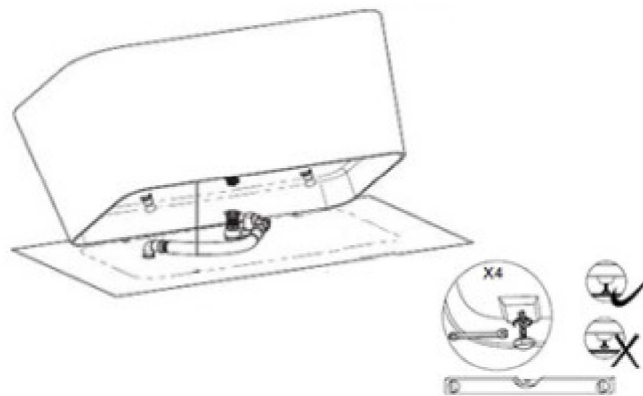
2. Installate the drain system on the floor.



3. Put the bath on the correct place.



4. Connect the drainer system.



5. Flexible bathtub feet can be adjusted to make the bathtub standing better on the floor if the floor is unlevel.



6. Wait for 24 hours later after the work of glue.