

Measurements in millimetres mm

Information updated April 2019

Tel 0345 873 8840

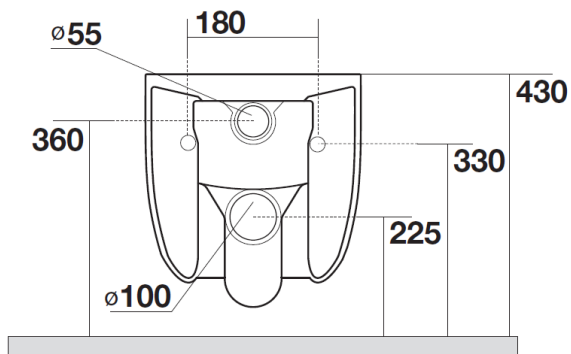
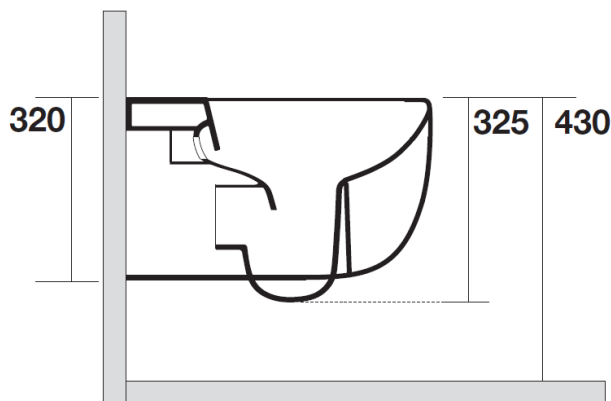
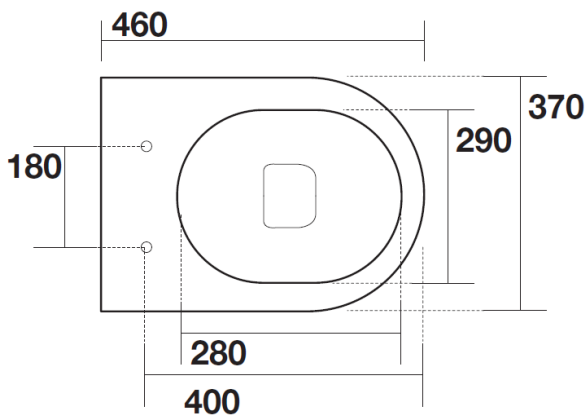


GLIDE II Short Projection Wall Hung WC



TECHNICAL DATA	SPECIFICATION
CODE No	WHITE GL6115CW MATT WHITE GL6115CWM
Seat required	WHITE GL6106W; MATT WHITE GL6106WM
Recommended use	Domestic, hotel, residential
WC Type	Wall Hung
Rim type	Rimless
Material	Vitreous China
Outlet	Horizontal, vertical 225mm
Flush	Washdown 4.5/3l dual flush
Standards	EN997-CL2-4.5/3l
Fixing	Wall fixings included, spares code FX6006EA3
Weight	WC 20kg; Seat 3.5kg
Warranty	15 years on ceramic

Wall hung washdown WC pan
EN 997-CL2-4.5/3l, EN 33, dimensions w 370 x h 325 x d 460 mm
Horizontal outlet,
Fully back to wall, concealed trap, concealed fittings
Special feature: concealed surfaces directing water are fully glazed throughout, no rim, vacuum checked



Sizes detailed could have a variation of about +/-5 % due to the changes to material characteristics during the firing processes. Exact measurements for individual installations can only be taken from the finished ceramic