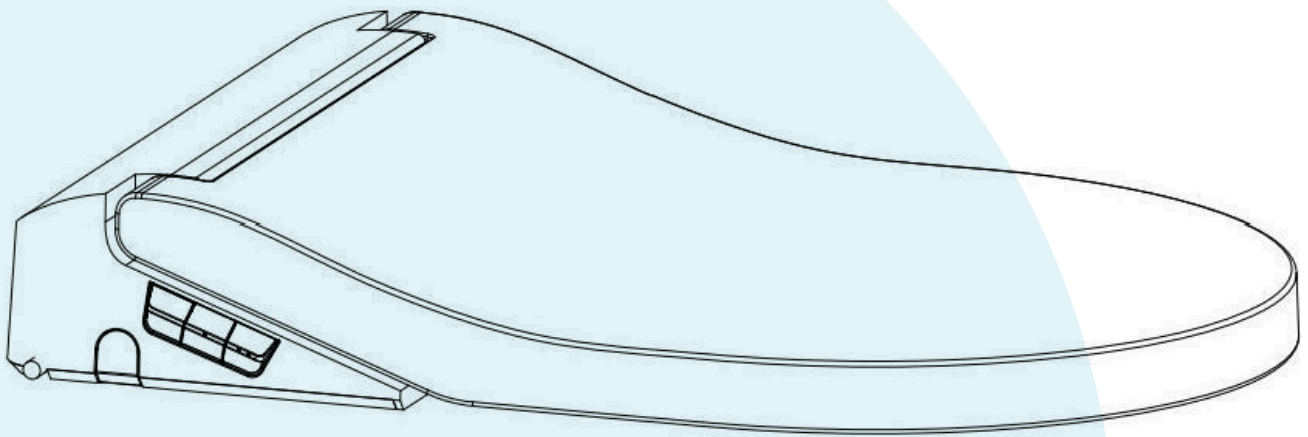




FRESHEN UP YOUR DAILY RITUALS



Water wins.
Designed around
how you live,
not how things
used to be done.

Safety precautions

Explanation of symbols



Refers to potentially dangerous situation that may cause serious injury or death.



Refers to potentially dangerous situation that may cause injury or property losses.



Refers to forbidden to do.



Refers to abide by the rules.



DANGER



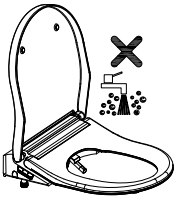

The supplier shall not be liable for any loss arising from the failure to comply with the following regulations.

1. This equipment is "I" type electric appliance, must be completed connected to the grounding system.
2. If the supply cord is damaged, it must be replaced by the manufacturer, its service agent or similarly qualified persons in order to avoid a hazard.
3. This equipment is electric appliance, please do not be installed at the place where can easily be splashed with water or high temperature. Please install exhaust fan or ventilation opening to make sure there is a good ventilation when using at Bathroom.
4. This appliance can be used by children aged from 8 years and above and persons with reduced physical, sensory or mental capabilities or lack of experience and knowledge if they have been given supervision or instruction concerning use of the appliance in a safe way and understand the hazards involved. Please use the low flow and temperature.
5. Children shall not play with the appliance. Cleaning and user maintenance shall not be made by children without supervision.
6. The appliance will be permanently connected to the water pipe. Remove the water pipe assembly except for installation and maintenance.

Safety precautions



FORBID

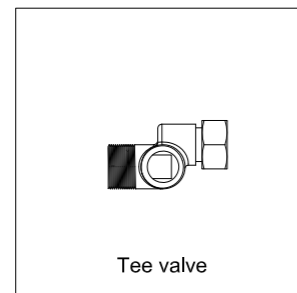
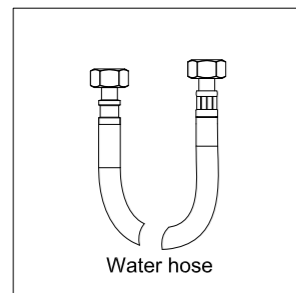
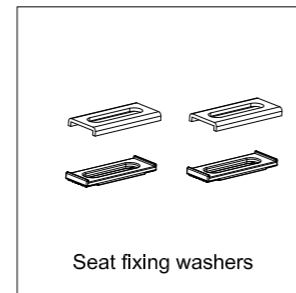
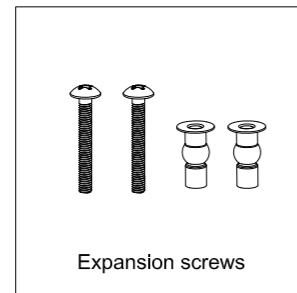
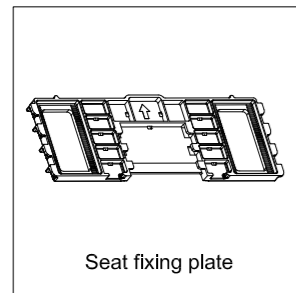
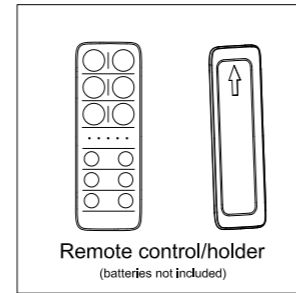
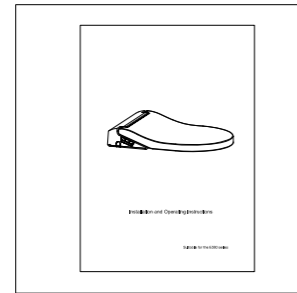
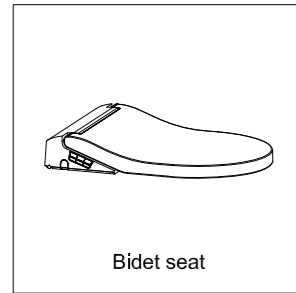
1. Do not insert or remove power plug with wet hands. Otherwise there is a risk of electric shock. 
2. Do not damage the power cord and plug. Otherwise there is a risk of electric shock, short-circuit and fire.
3. Do not use the loose socket. Otherwise there is a risk of electric shock and fire. 
4. The power supply must be accorded with regulation. Otherwise there is a risk of damage the product and fire.
5. Do not disassemble, repair or reassemble the product. Otherwise there is a risk of electric shock and fire.
6. Do not place a stove or a cigarette near the product. Otherwise there is a risk of fire.
7. Make sure not to splash water, detergents or urine on the product and the power plug. Otherwise there is a risk of electric shock, damage the product and fire. 
8. Do not turn the product upside-down. Otherwise this might cause product damage.
9. Do not bend or distort the inlet hose. Otherwise there is a risk of water leakage. 
10. This appliance can be used by children aged from 3 years and above and persons with reduced physical, sensory or mental capabilities or lack of experience and knowledge if they have been given supervision or instruction concerning use of the appliance in a safe way and understand the hazards involved. Children shall not play with the appliance. Cleaning and user maintenance shall not be made by children without supervision.
11. The bidet and remote control contain magnets, which may interfere with the work of pacemaker, defibrillator or other medical devices. For safety consideration, please keep a certain distance between the the bidet and the medical devices.



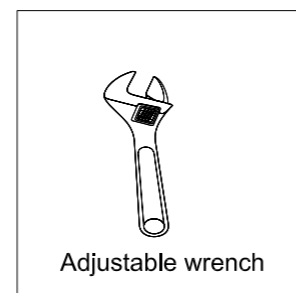
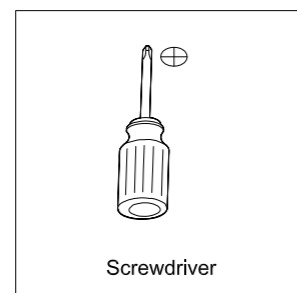
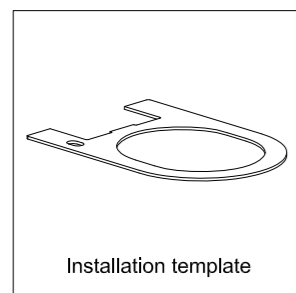
NOTICE

Before installation please reset the thermostat as per "Resetting Thermostat" of instructions. Otherwise the washing water may not heat up.

Bill of material



Tools in need



The pictures of instruction is for reference only. Please subject to the actual product .

Technical Specification

Model		Optima		
Wash	Rear wash	●		
	Female wash	●		
	Oscillating spray	●		
	Pulsating spray	●		
	Oscillating and Pulsating spray	●		
	Adjustable water temperature	OFF/5 Steps (Default 3rd)		
	Adjustable flow rate	5 Steps (Default 3rd)		
Warm air	Adjustable spray position	5 Steps (Default 5rd)		
	Air drying	●		
Heated Seat	Adjustable dryer temperature	OFF/5 Steps (Default 3rd)		
	Heated Seat	●		
Hygiene	Adjustable seat temperature	OFF/5 Steps (Default 3rd)		
	Deodoriser	●		
	Descaling	●		
	Nozzle self cleaning	●		
Other function	Nozzle manually cleaning	●		
	Night light	●		
	Soft Closing Seat And Cover	●		
	Quick Release Seat	Non-heated	●	
		Heated		-
	Quick Release Cover	●		
	Body button	●		
	Remote control	●		
	Power saving	●		
	Water supply connector		G 1/2	
Rated voltage		AC220-240V, 50/60HZ		
Rated power consumption		1020W		
Maximum power consumption		1650W		
Length of power cord		1.8m		
Water supply pressure		0.07(dynamic pressure)~1.0(static pressure)MPa		
Water supply temperature		4~35℃		
Ambient temperature		4~40℃		
Waterproof rating		IPX4		
Wash device	Flow rate	480~600mL/min		
	Water temperature	31~39℃		
	Wash cycle time	3Minutes		
	Heating model	Instant water heating		
	Maximum heater power	1600W		
	Safety device	Liquid Level Switch/Thermostat		
	Backflow prevention	Air Gap		
Dry device	Speed of air	≥4m/S		
	Dryer power	250W		
	Dry cycle time	3Minutes		
	Warm air temperature	OFF/35℃~50℃		
	Safety device	Thermal Cutoff Fuses/Thermostat		
Deodorization	Deodorization method	Diatom		
	Deodorization cycle time	about 15 minutes		

Technical Specification

Heated seat	Adjustable seat temperature	OFF/31°C-39°C
	Maximum heater power	50W
	Safety device	Temperature Sensor\Thermal Cutoff Fuses\Thermostat
Remote control	Frequency range	2460MHz
	Maximum RF output power	-10dBm
	Type of batteries	3V CR2032
	Number of batteries	Two pieces
Other safety device		Residual Current Devices
Net weight/Gross weight		Approx.4.4Kg/5.8kg
Overall dimension		Approx.490*370*80 mm

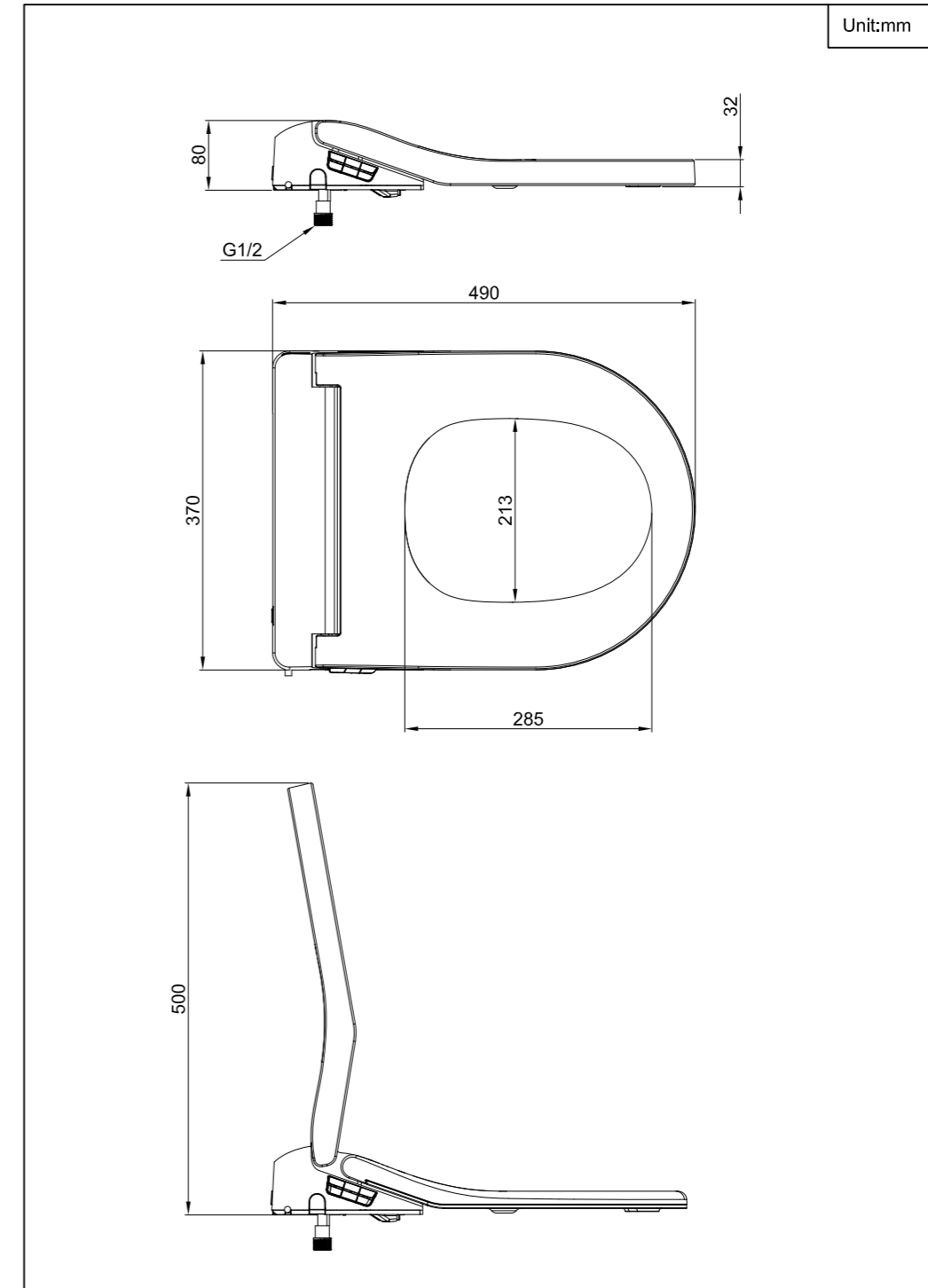


The manufacturer reserves the right to change above specifications at any time without notice and without incurring obligations.

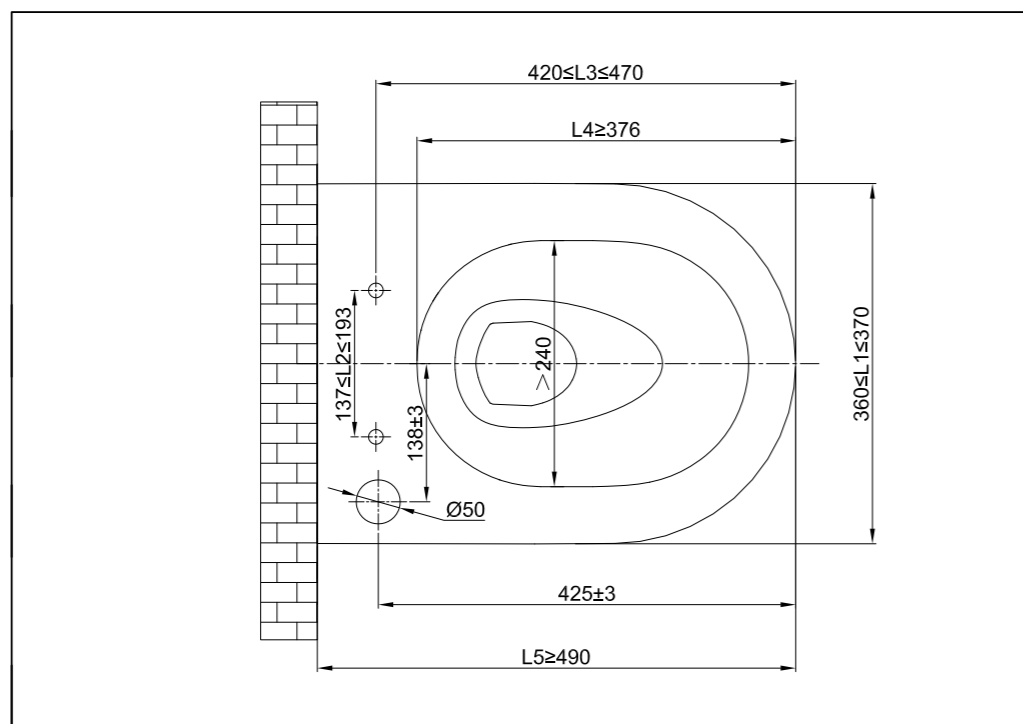
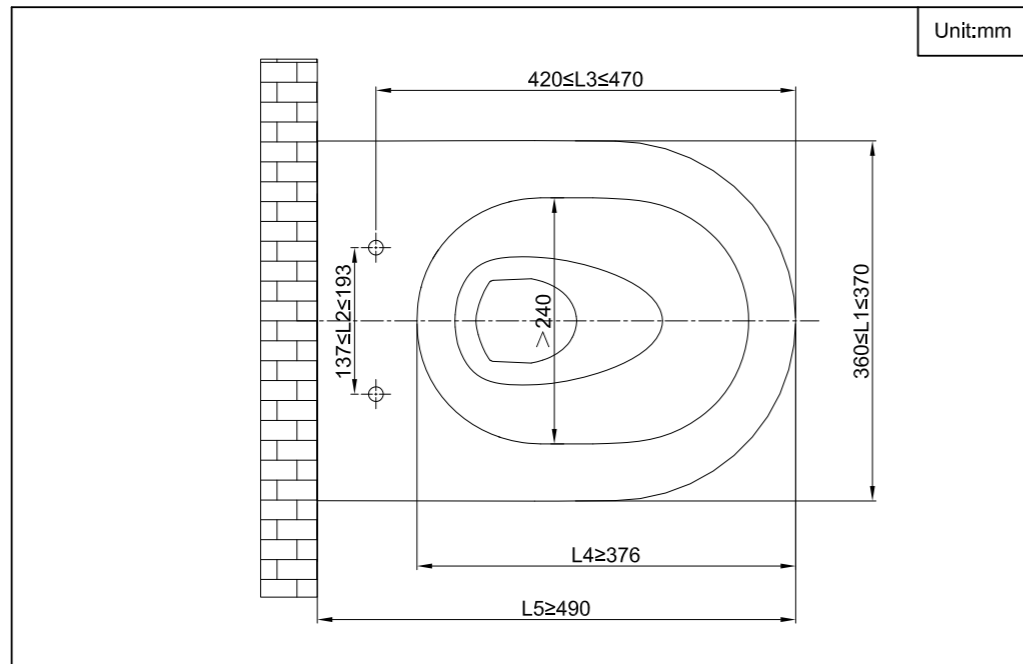
NOTICE

Please follow the real if it is different from the nominal in shape, color and accessories.

Technical Drawing

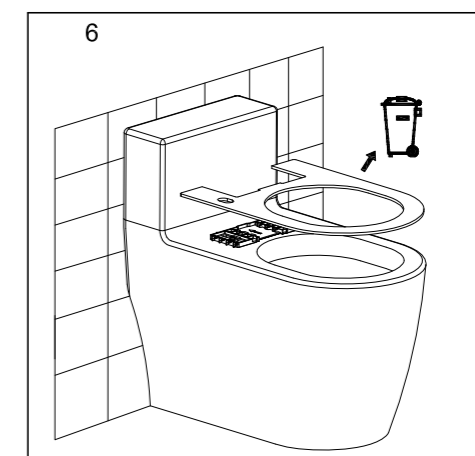
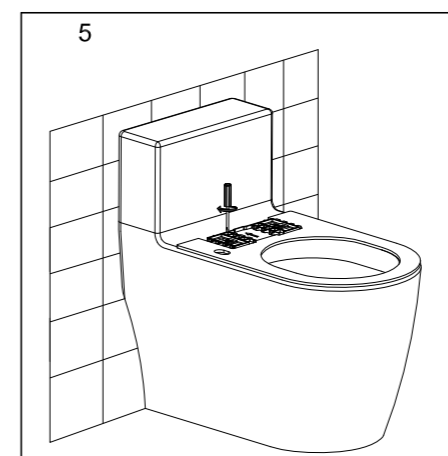
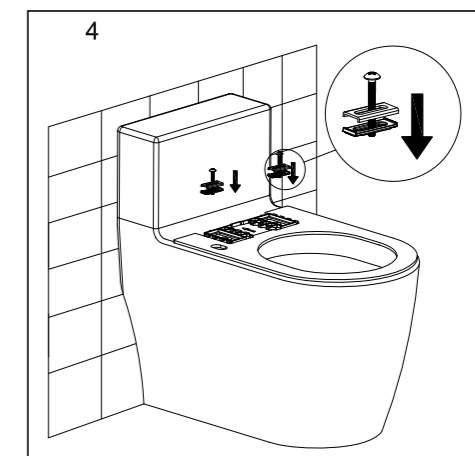
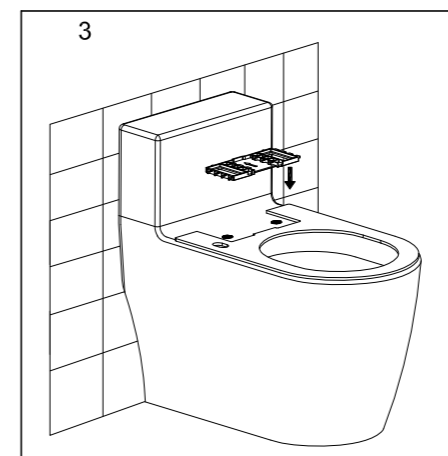
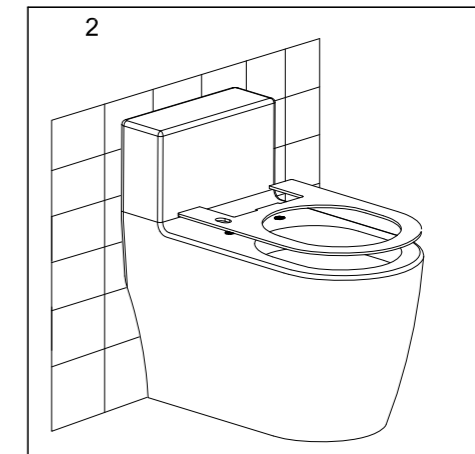
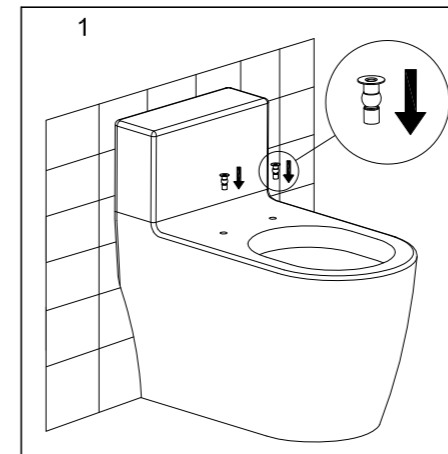


Technical Drawing

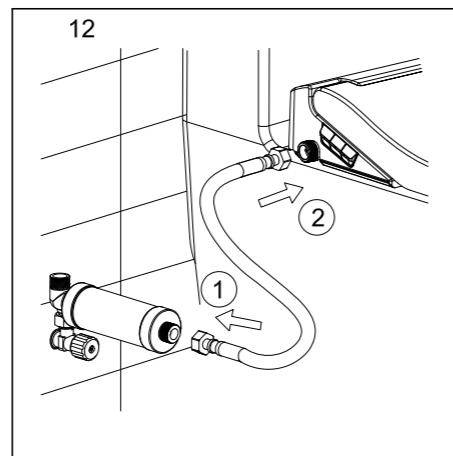
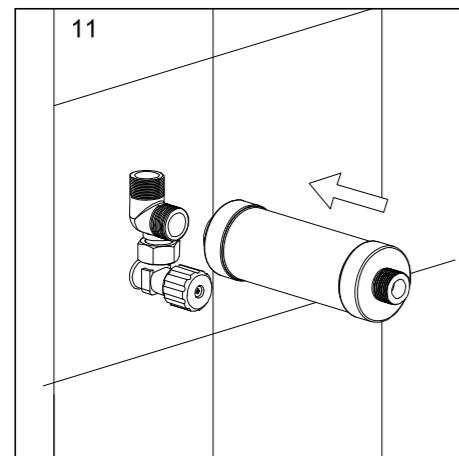
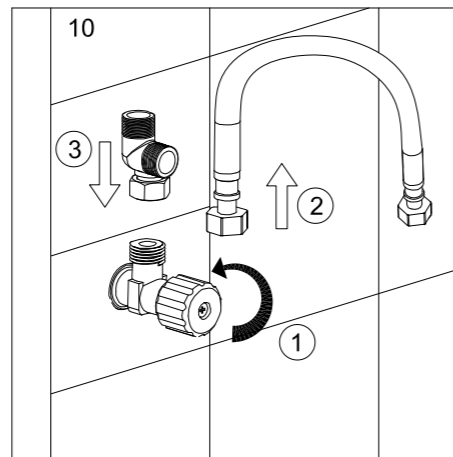
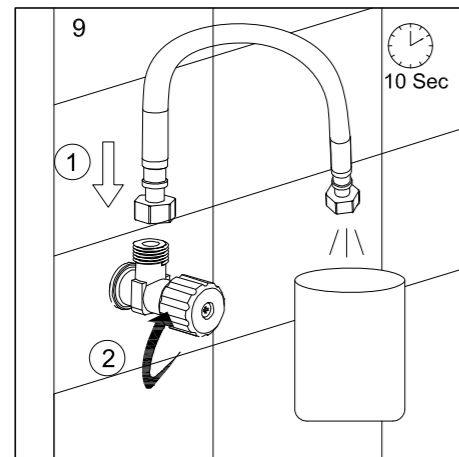
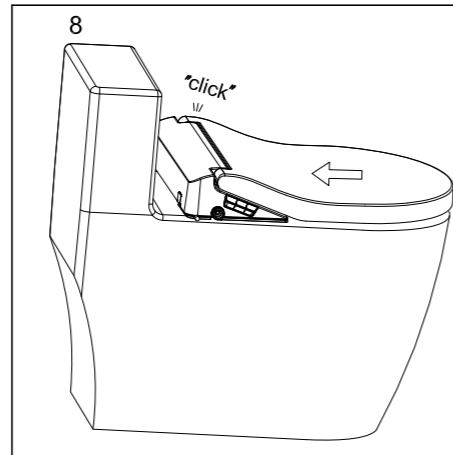
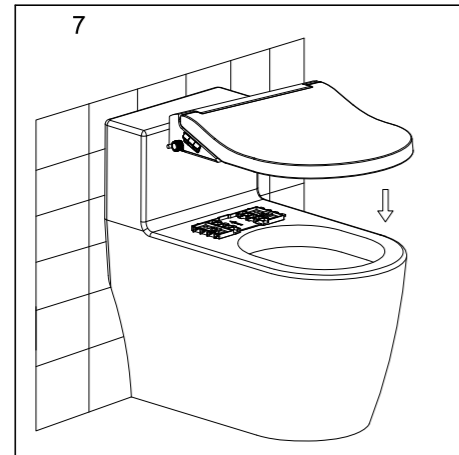


8

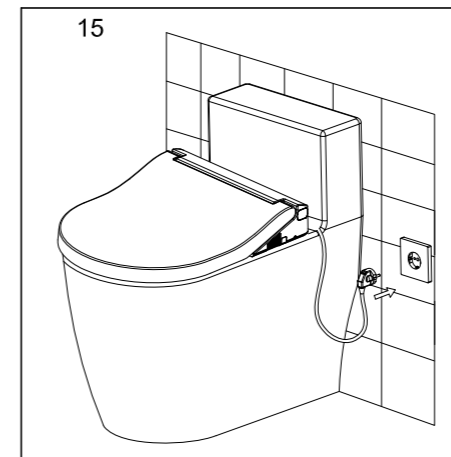
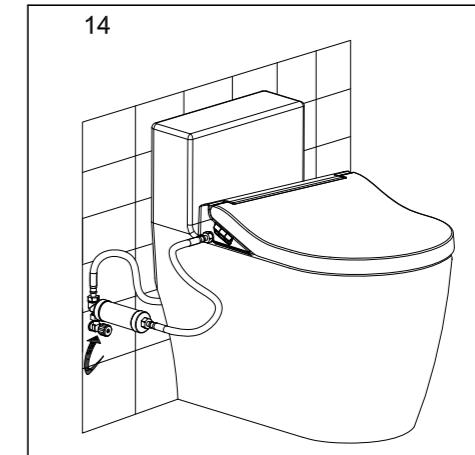
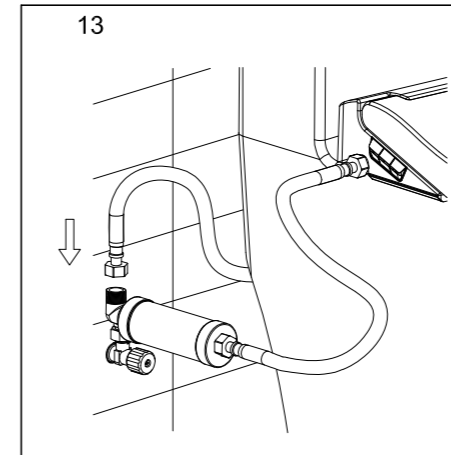
Installation Steps
for the models of right water inlet



9



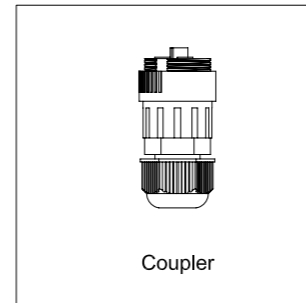
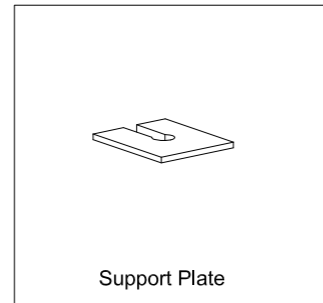
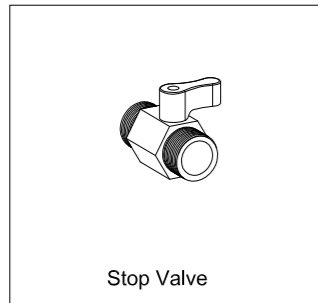
10



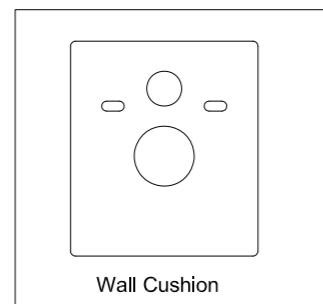
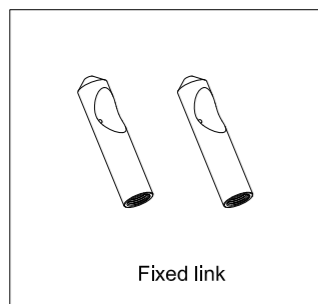
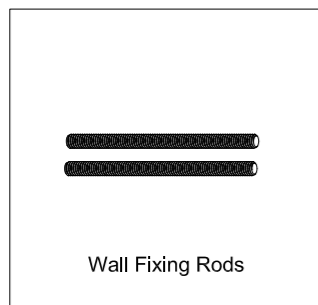
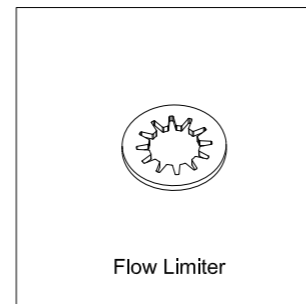
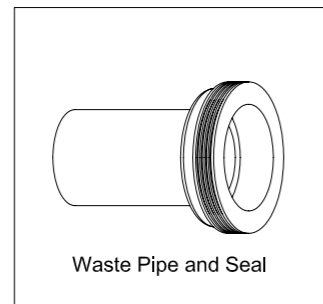
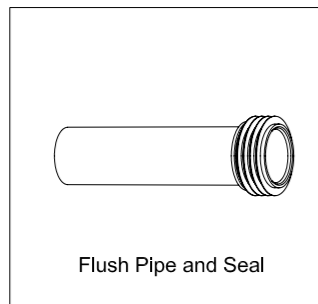
11

Installation Steps

for the models of bottom water inlet
Extra accessories required .



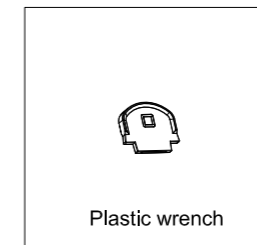
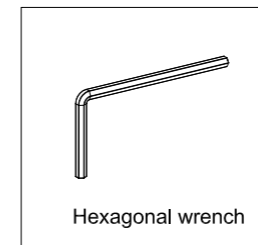
Fittings for toilet installation



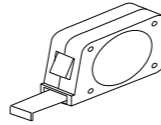

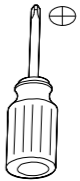

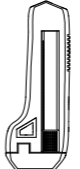


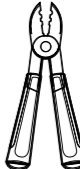
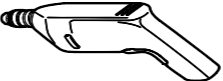
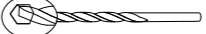
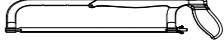



NOTICE
The pictures of instruction is for reference only. Please subject to the actual product .

Installation Steps

for the models of bottom water inlet
Fittings for toilet installation



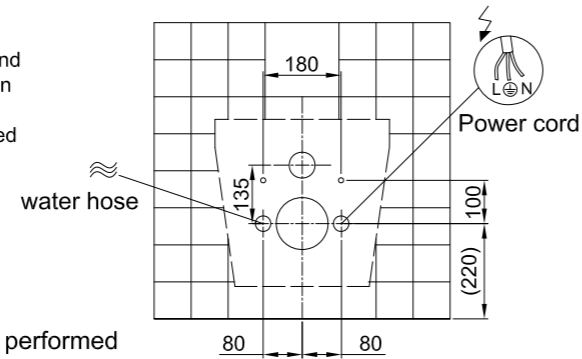
Tools in need

 Tape measure	 Marker	 Cross screwdriver	 Screwdriver
 Knife	 File	 Adjustable wrench	 Wire stripper
 Electrodrill	 6mm diameter drilling bit	 Hacksaw	
 Ruler	 Levelling instrument	 NOTICE The pictures of instruction is for reference only. Please subject to the actual product .	

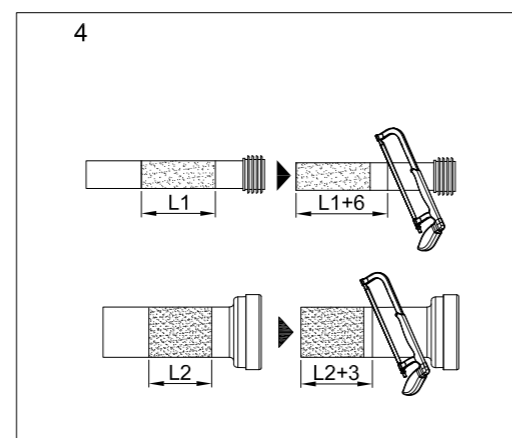
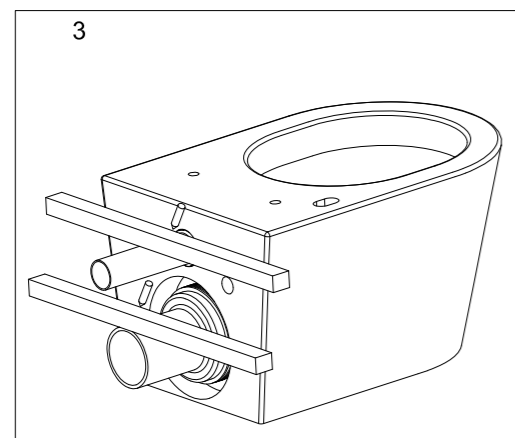
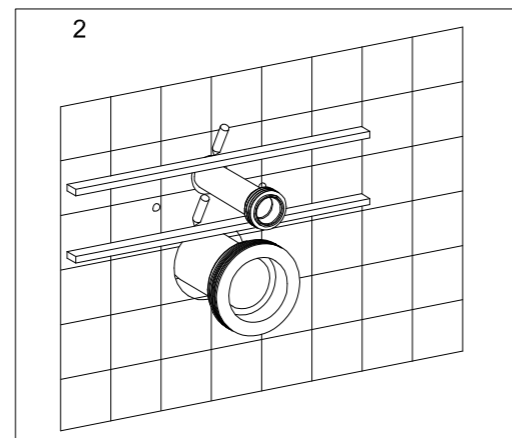
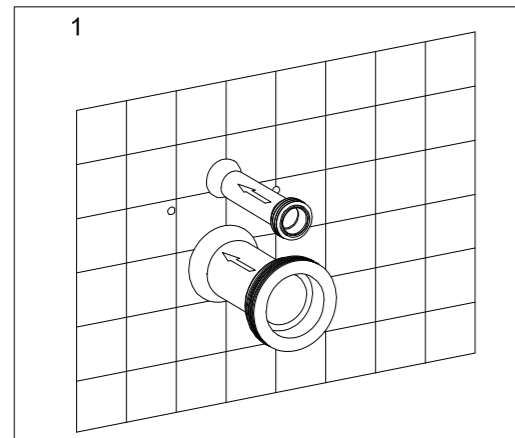
Installation Steps

for the models of bottom water inlet

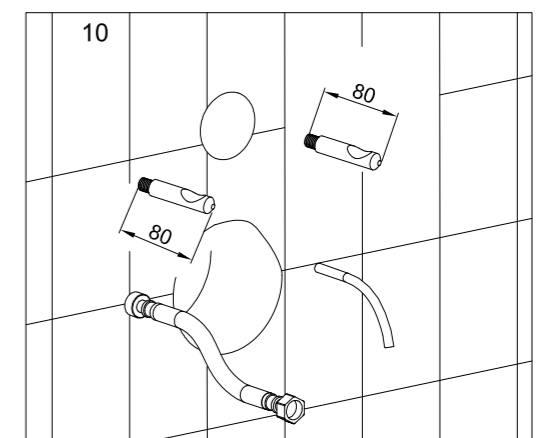
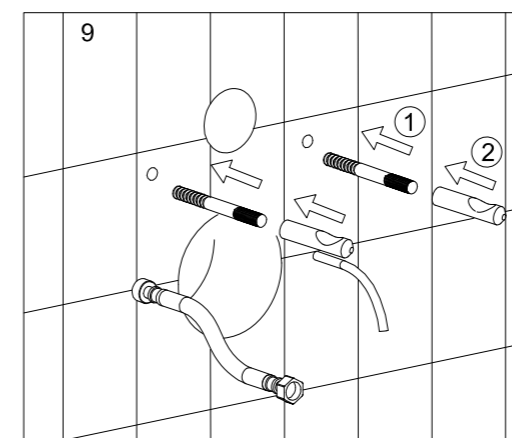
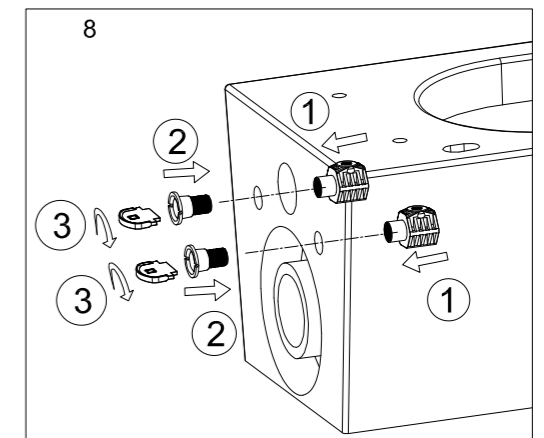
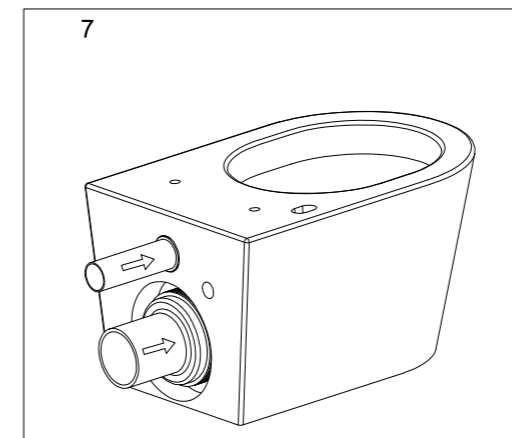
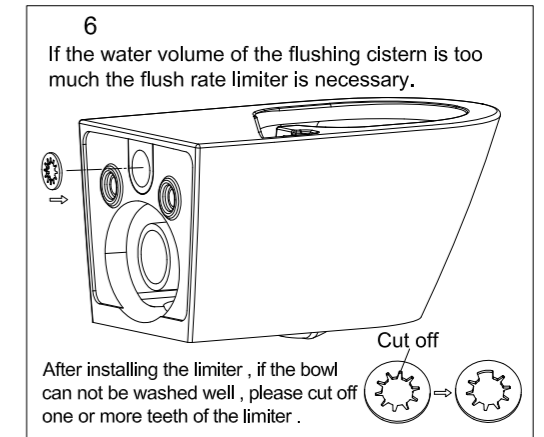
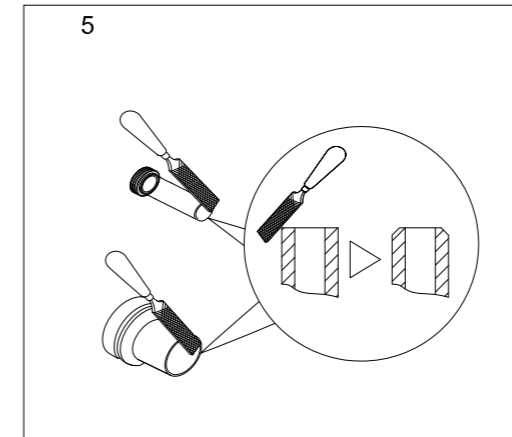
- Before installation, make sure the inlet hose and the power cord equipped in the toilet installation area
- Remark: The values in "()" are the recommended dimension.



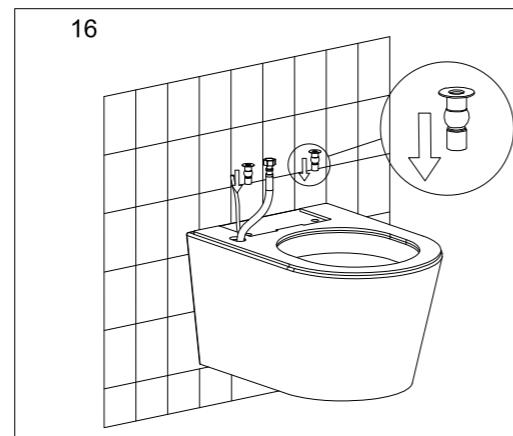
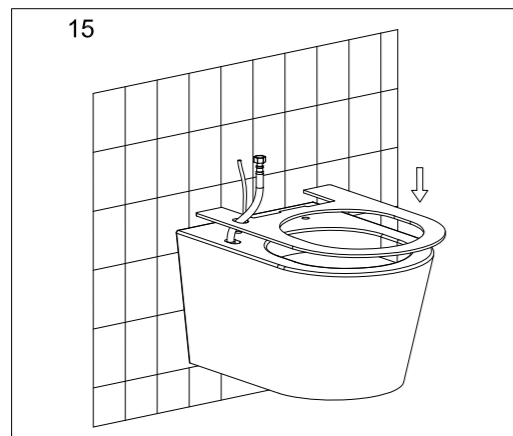
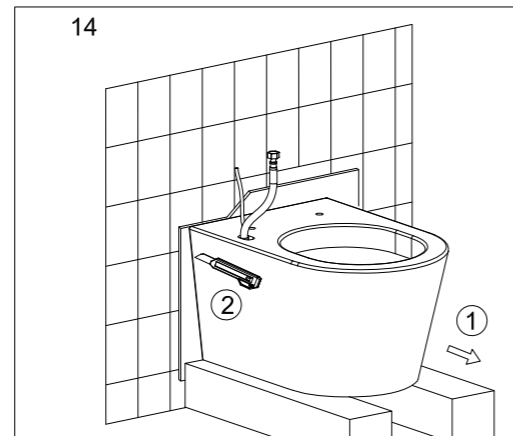
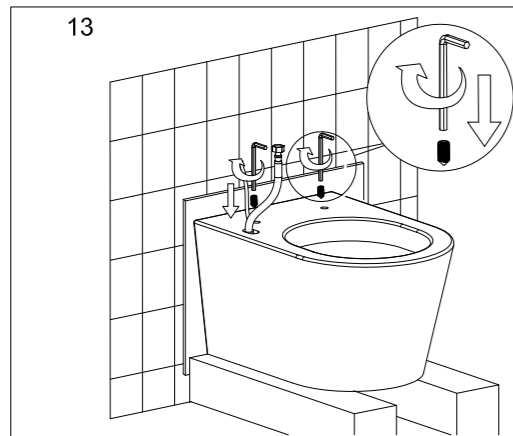
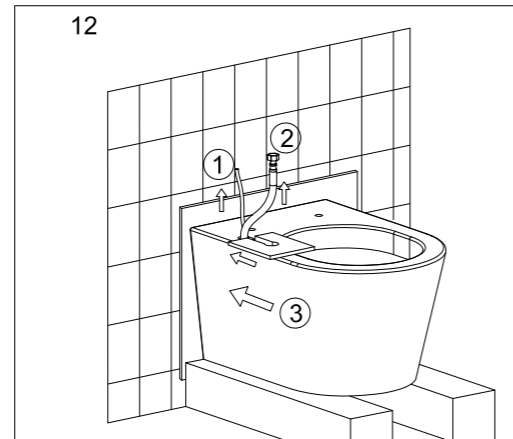
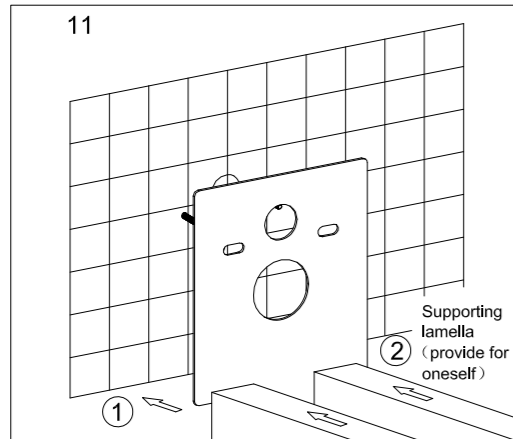
⚠ DANGER These operations should be performed by qualified service personnel



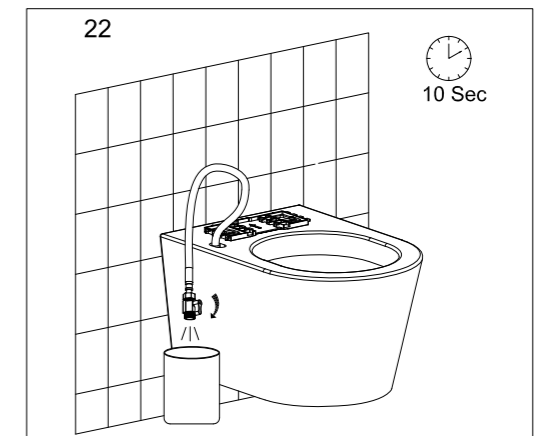
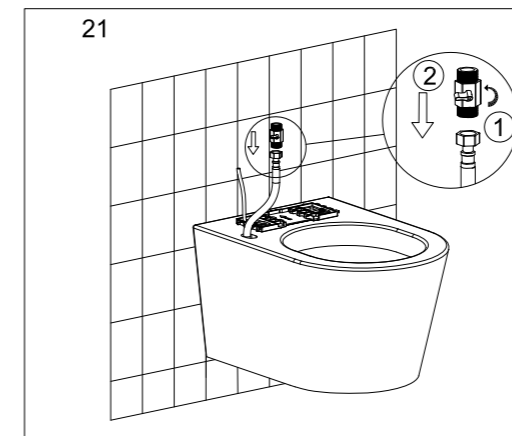
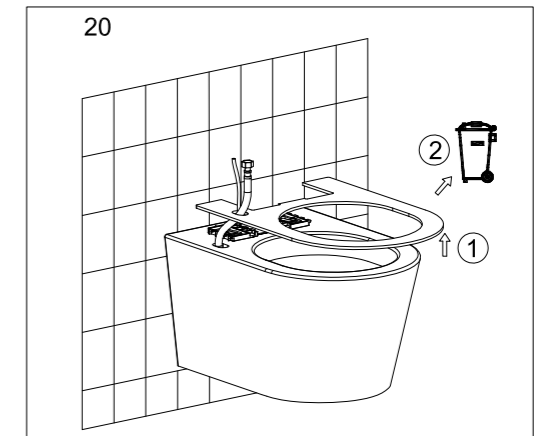
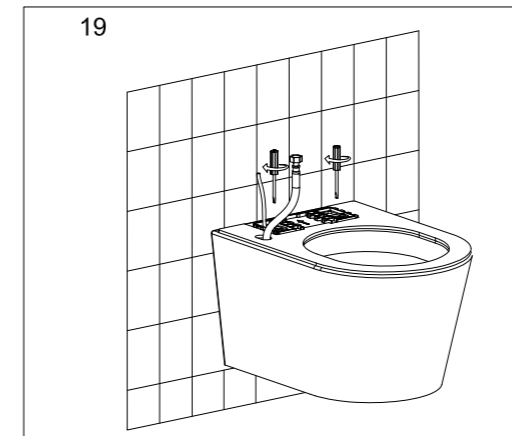
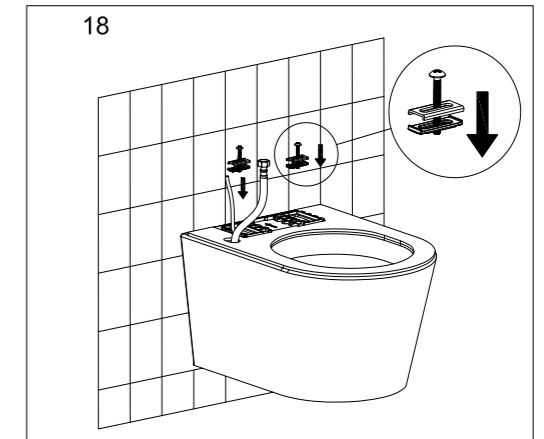
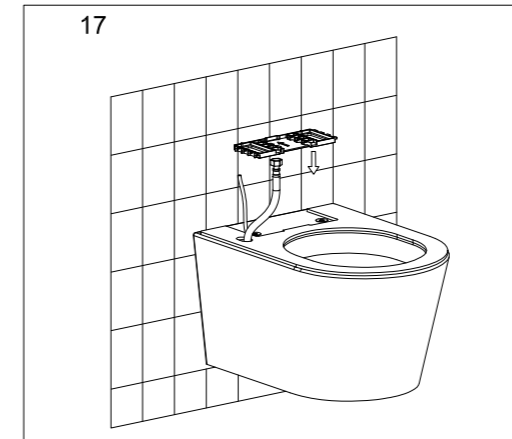
14



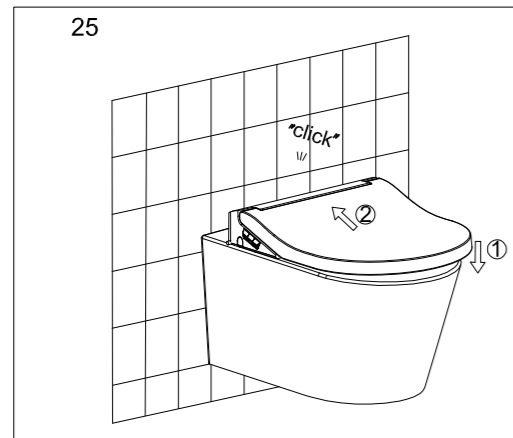
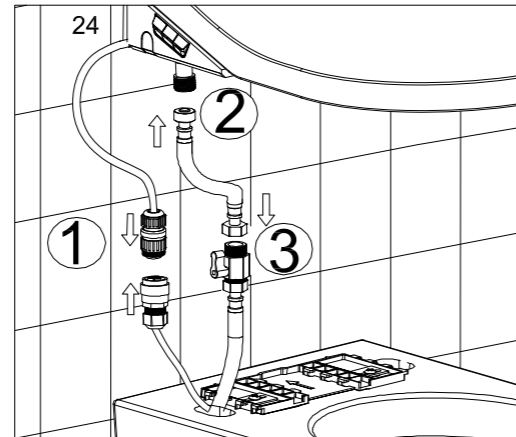
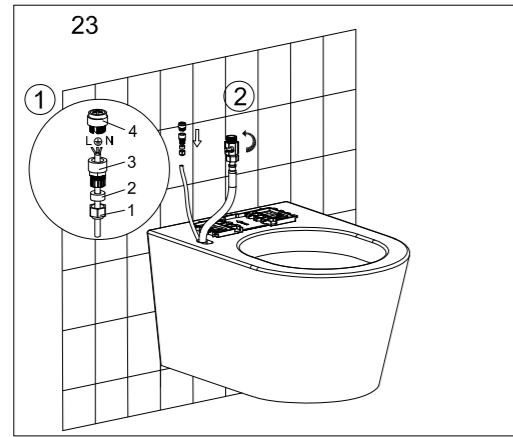
15



16

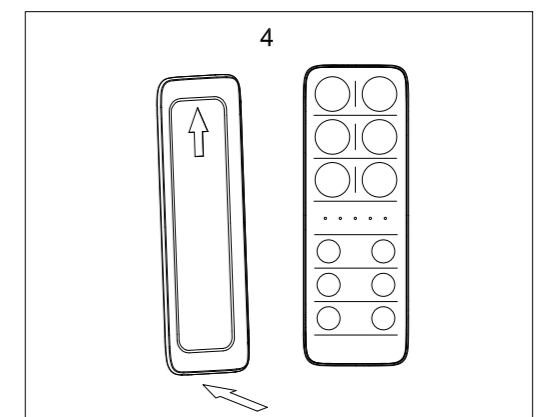
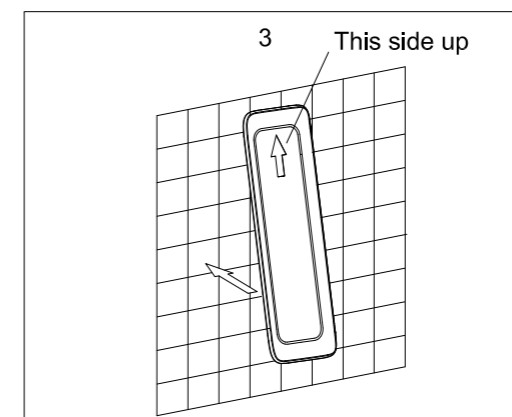
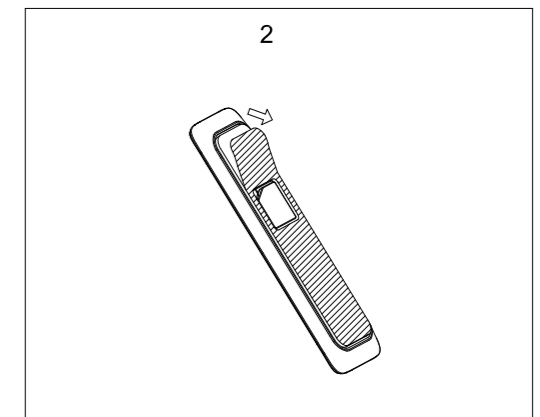
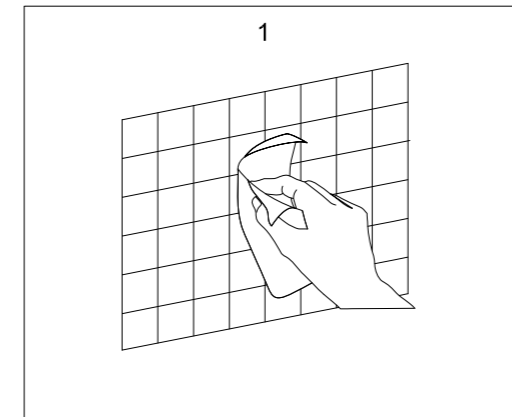
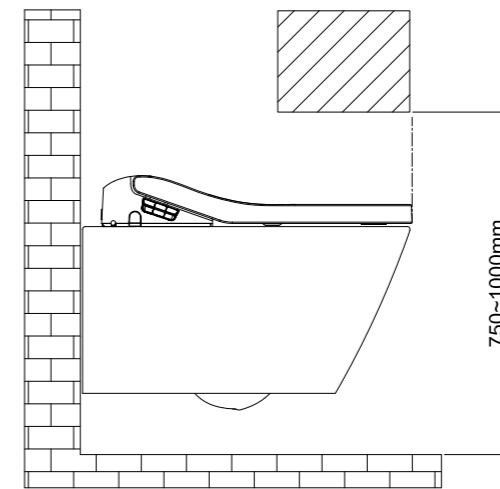


17

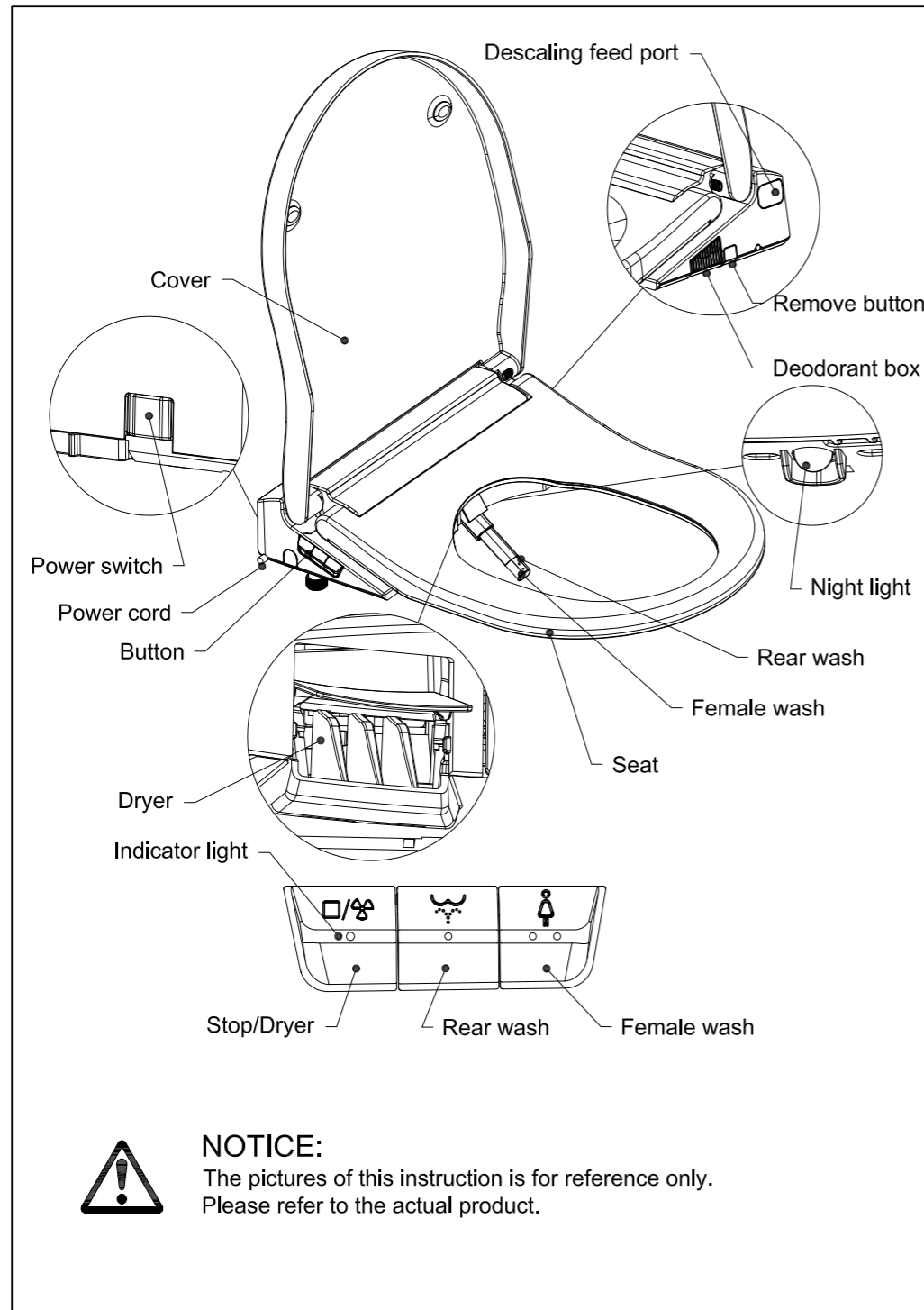


Installation Steps

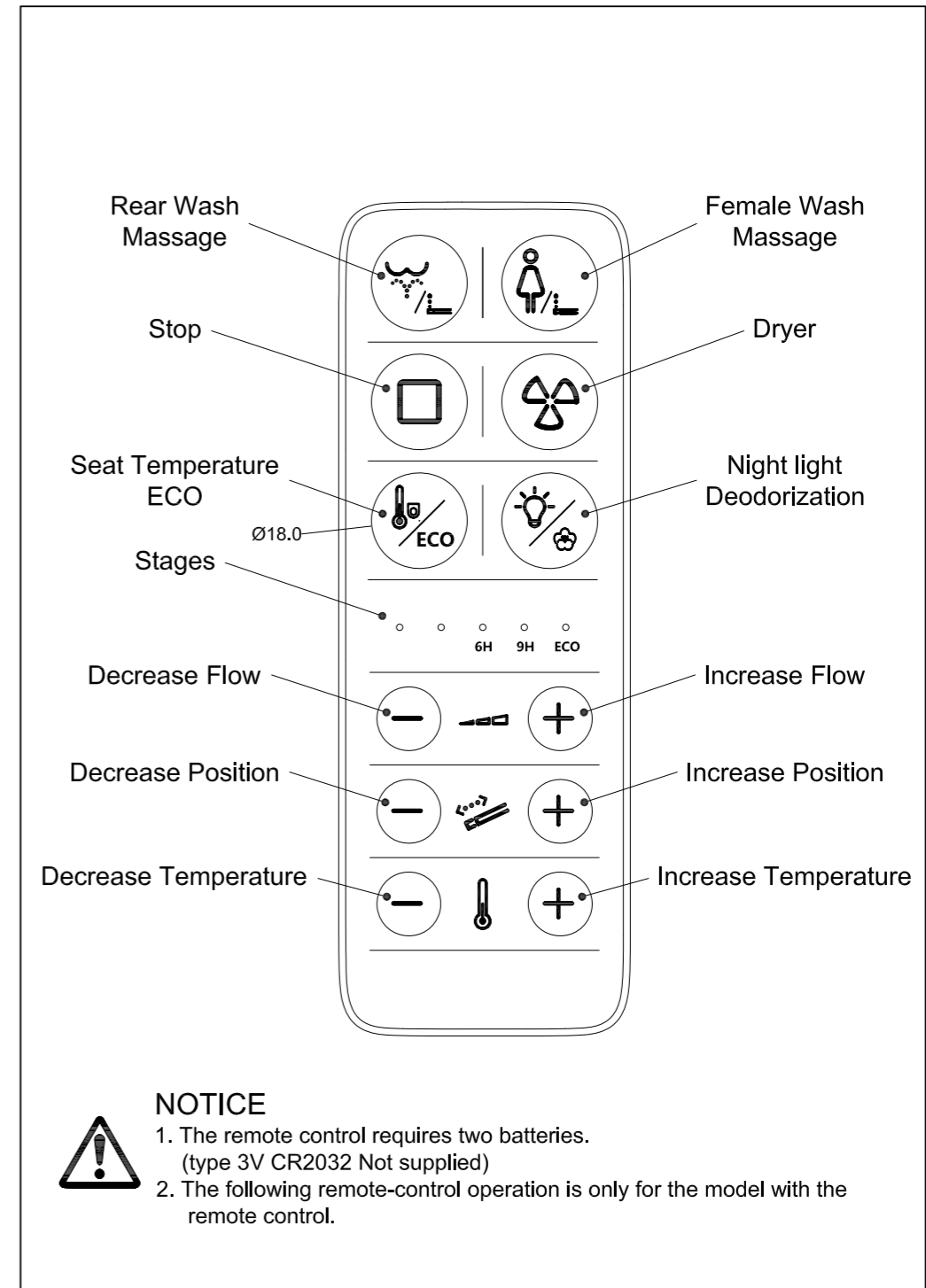
Recommended installation area



Overview

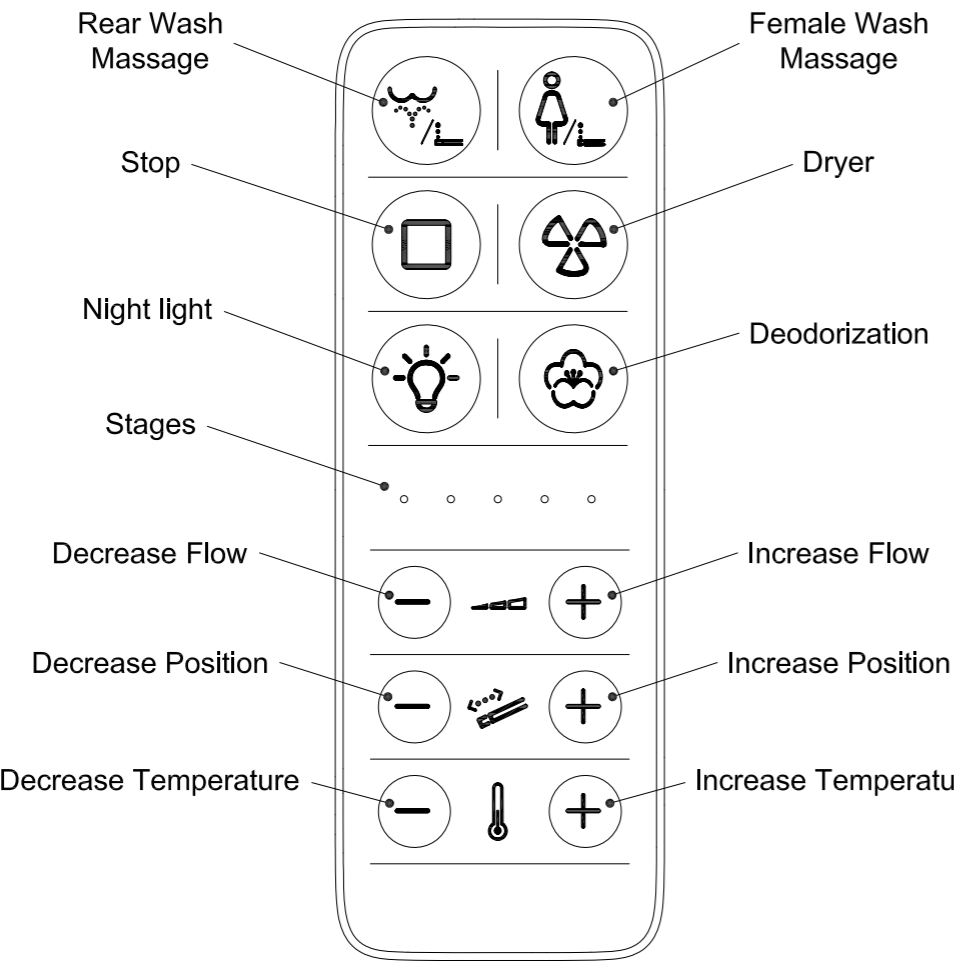


Remote Control



Remote Control

Heating seat ring not applicable



NOTICE

1. The remote control requires two batteries. (type 3V CR2032 Not supplied)
2. The following remote-control operation is only for the model with the remote control.

Function Introduction

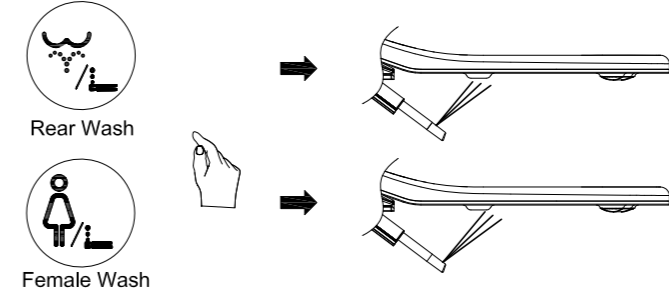
NOTICE
All operations in this manual are for full-function models, if the model you purchased does not have relevant functions, please ignore the corresponding operations.

Initialization

- After the power supply is connected, please wait for about 2-3 minutes to initialize the bidet and don't operate during this period.

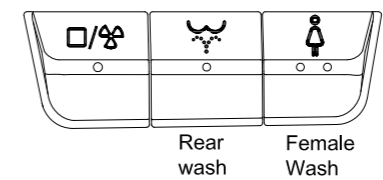
Wash Operation

- Be seated
Press the "Wash" button on the remote control then it starts to wash. It will automatically stop after 3 minutes or you can stop washing by pressing the "Stop" button.



OR

You can operate by press the side buttons then it starts to wash.

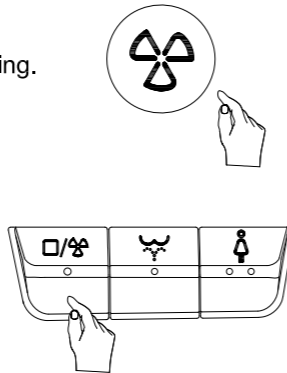


Note: While Rear wash or Female wash, it will wash at the fixed position for about 15 seconds, and movable wash for about 15 seconds, then regain to the fixed position until to the end.

Function Introduction

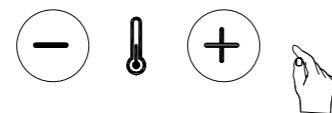
Dry Operation

- Be seated
Press the "Dry" button on the remote control to start drying. It will automatically stop after 3 minutes or you can stop drying by pressing the "Stop" button.
- Be seated
- It is not in the process of Rear or Female washing.
Press the side buttons then it start to dry. It will stop drying after 3 minutes or press it again to stop the function.



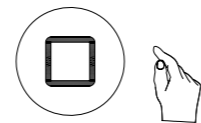
Adjusting air temperature

- In the process of drying.
- Default 3 th.
Press the "Decrease temperature" or "Increase temperature" button of "Adjust temperature" on remote control to adjust the air temperature.



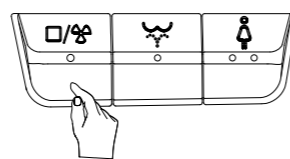
Stop Operation

- In the process of Rear washing, Female washing or drying.
Press the "Stop" button on the remote control it will stop washing or drying.



OR

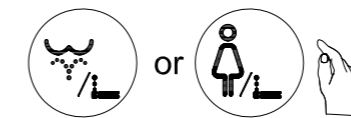
Press the side buttons it will stop washing or drying.



Function Introduction

Massage Operation

- In the process of Rear or Female washing.
Press the "Rear wash" button or "Female wash" button on the remote control until you chose your desired spray mode.



Massage Mode
Normal
Oscillating
Pulsating
Oscillating + Pulsating

Adjusting water flow

- In the process of Rear or Female washing.
- Default 3 th.
Press the "Decrease flow" or "Increase flow" button on the remote control to adjust the flow rate.



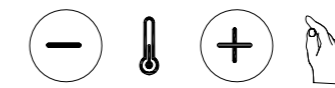
Adjusting the nozzle position

- In the process of Rear or Female washing.
- By default in the 5th position.
Press "Decrease position" or "Increase position" button on the remote control to adjust the nozzle position backward or forward.



Adjusting water temperature

- In the process of Rear or Female washing.
- Default 3 th.
Press the "Decrease temperature" or "Increase temperature" button of "Adjust temperature" on remote control to adjust the water temperature.



Function Introduction

Adjusting seat temperature

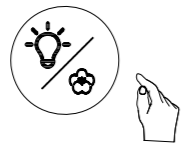
- Default 3 th.
Press the "Seat Temperature" button on the remote control to adjust the seat temperature.



Scald prevention setting:
When the user sits down for more than 10 minutes, to prevent users from being scalded, the seat temperature will be kept at the lowest gear.

Light Setting

- Smart mode for the night light by default.
Press "Night light" on the remote control to change modes.



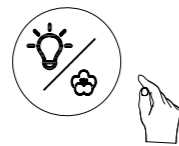
Remote control LEDS	Mode
●	Close mode
● ●	Always on mode
● ● ●	Smart mode

NOTE: The "smart" mode refers that the night light will light up in a dark environment and light off in a bright environment, if the room is too bright the light will not come on.

Odour Neutralisation Setting

- Smart mode for the deodorization by default.
It is on when the user sits down and it will be off after one minute when the user leaves. If there is no operation of washing or drying during being seated, it will be off after 15 minutes.

Press and hold "Deodorization" on the remote control and the indicate light will light on. Check the modes as per below. If current mode is not the right one, press and hold the "Deodorization" on the remote control again.






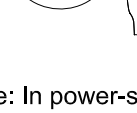
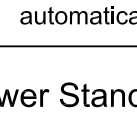
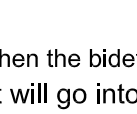
Remote control LEDS	Mode
●	Close mode
● ●	Smart mode

Function Introduction

Power Saving Mode

It includes intelligent power saving mode and timed power saving mode.

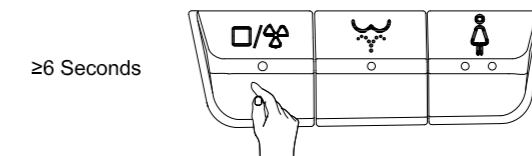
- Power saving mode is off by default.
Intelligent power saving mode: The product will detect the unused state, in this stage the seat temperature will maintain the lowest level.
Timed power saving mode: Set unused time range (6 or 9 hours), in which the seat will not be heated. The bidet will exit the mode automatically after 6 or 9 hours.
Intelligent + Timed power saving mode: If the two modes are set at the same time, the smart power saving mode could work even not in the timed power saving period.
Press and hold the "ECO" button for ≥ 3 seconds to enter "Power Saving Mode". Briefly press the "ECO" button to switch between energy-saving modes.

Remoter control LEDS	Mode
 ○ ○ ○ ○ ○ 6H 9H ECO	OFF
 ○ ○ ● ○ ○ 6H 9H ECO	Time:6H
 ○ ○ ○ ● ○ 6H 9H ECO	Time:9H
 ○ ○ ○ ○ ● 6H 9H ECO	Intelligent
 ○ ○ ● ○ ● 6H 9H ECO	Intelligent +Time:6H
 ○ ○ ○ ● ● 6H 9H ECO	Intelligent +Time:9H

Note: In power-saving mode, when detect a person in use, the seat will automatically heat to the set temperature.

Power Standby Setting

- When the bidet is idle, Press and hold the button for more than 6 seconds, it will go into power standby mode. Press again the button for more than 6 seconds to restart it.



Function Introduction

Descaling the device

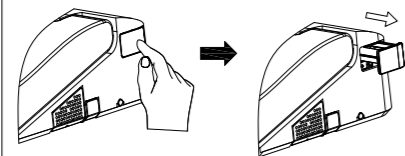
- Do not use descaling agents which can foam.
- When the bidet is used for 4 months after starting, the Button will flash in blue to remind you to descale the bidet.



NOTICE

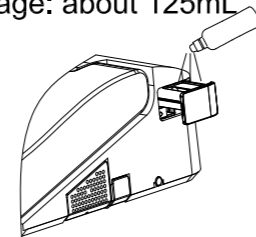
Damage to human body and the device from aggressive descaling agents.

- Press the side descaling box to open the descaling box.



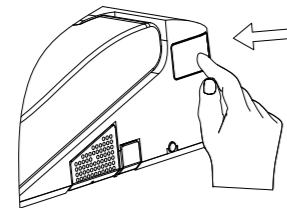
NOTICE:When you press the switch,there is water flow from the nozzle.When the device makes sounds every 3 seconds,you can pour the descaling agent.

- Pour in the descaling agents. Dosage: about 125mL.



NOTICE:Automatic logout after 3 minutes if no action is taken.

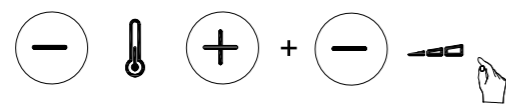
- Close the descaling box to start descaling.



- After closing the descaling box,it will start the descaling procedure. The descaling lasts about 15 minutes. During this period, the indicator on the side button will keep flashing in purple and it will stop when descaling is finished.

Sound Setting

- The sound is on by default.
- There is a BEEP when the bidet has received commands or signals. Press and hold "Decrease Temperature" or "Increase Temperature" and repeatedly press "Decrease" on the remote control to change modes.



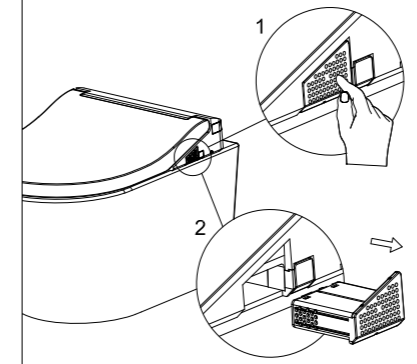
Remote control LEDs	Mode
•	Close mode
• •	Always on mode

Product Maintenance

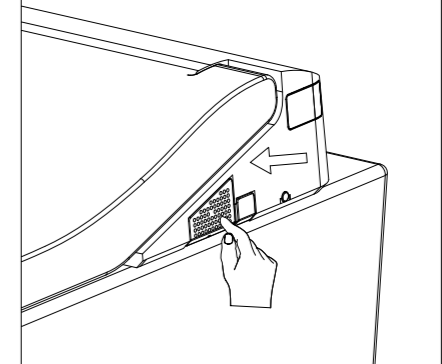
Deodorization filter replacement

- The lifetime of deodorization filter is about 12 months, which will be affected by different using environment.
- Please pay attention to the installation direction when replace a new deodorization filter.

- Press the side deodorant box to remove the deodorant box.

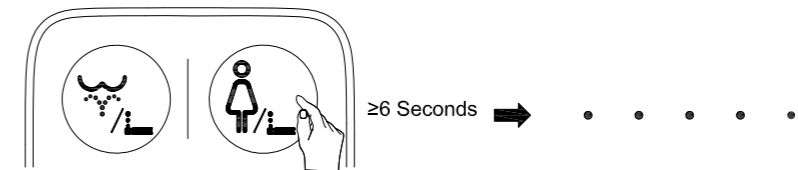


- Replace the deodorant box and close it.

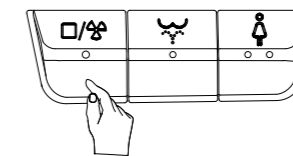


Remote Control Pairing Setting

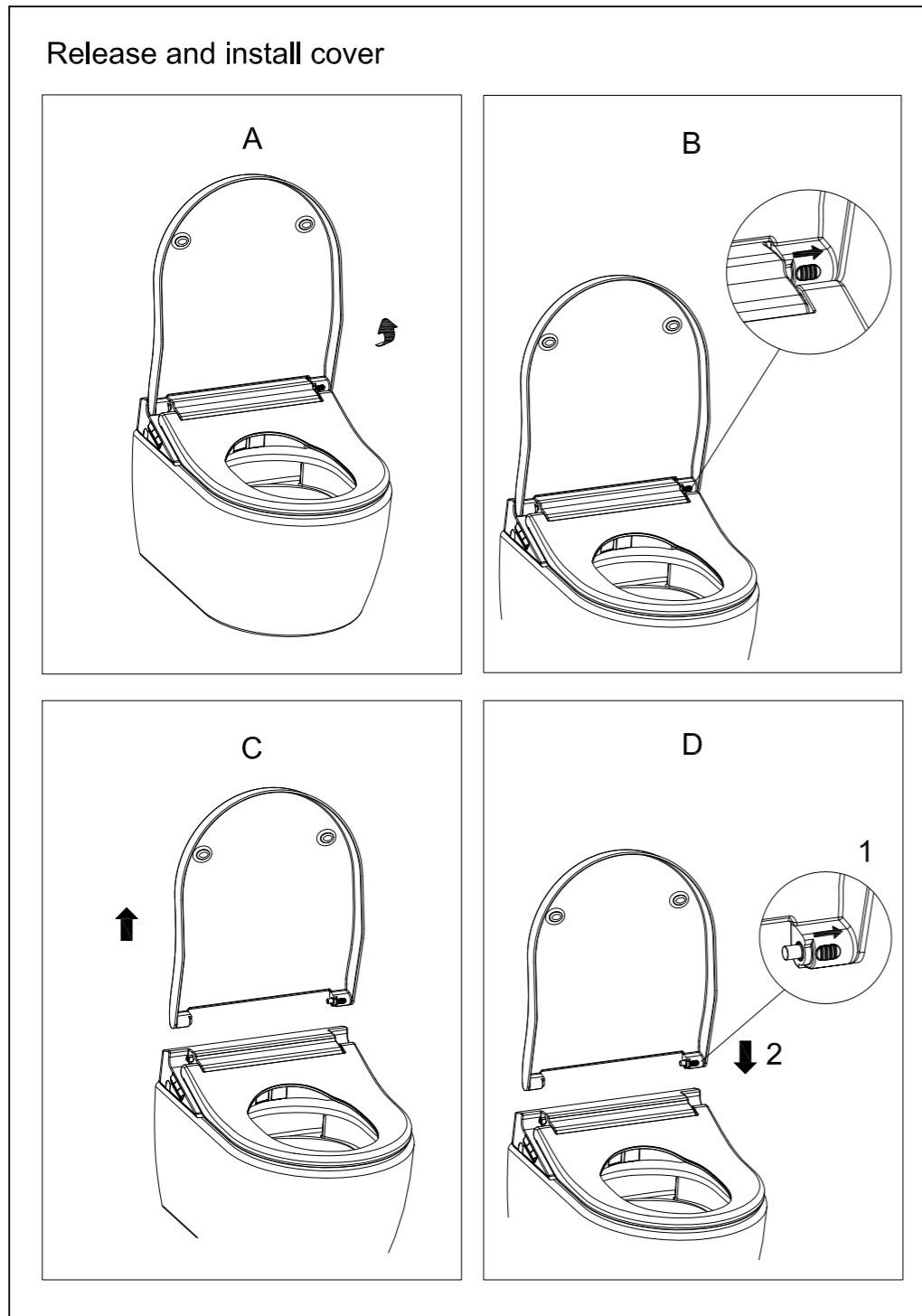
- When install several shower toilets in the same area, if you want each remote control to control the specified shower toilet, please set as following steps.
- When the bidet is idle, press and hold "Female wash" button for more than 6 seconds on the remote control until all five LED lights are on, then release the pressing.



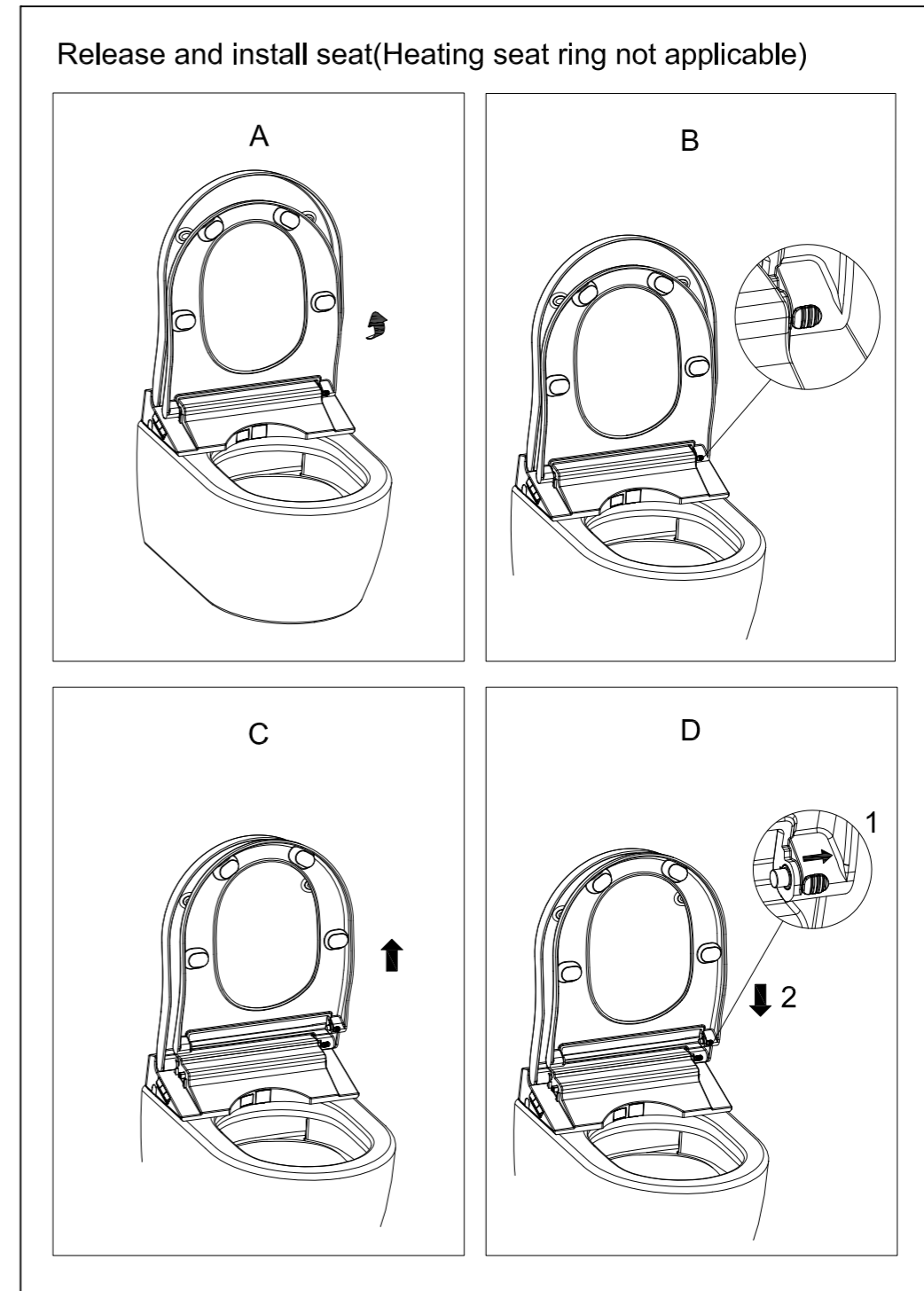
- Press "Stop/Dry" button on the bidet, when there is "long beep" sound, the setting is finished.



Product Maintenance



Product Maintenance

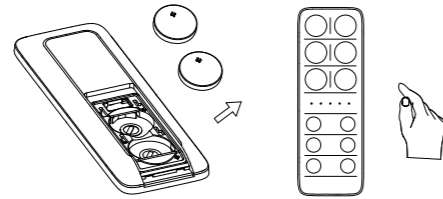


Product Maintenance

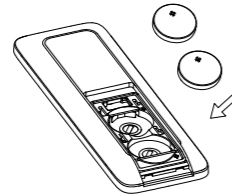
Factory data reset

●When the bidet is idle.

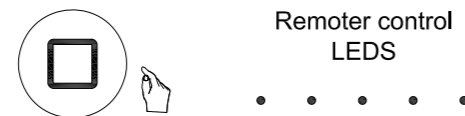
1. Take out the battery and press any button to consume the remaining power of the remote control.



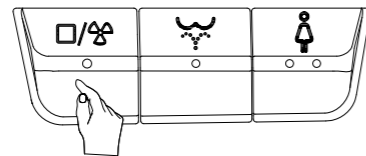
2. Reinstall the battery. After the battery be installed, all 5 indicator lights of the remote control will be on.



3. Press "Stop" button of the remote control until indicator lights up and then off successively.



4. Press the "Stop"key on the side button,There is "beep" sound from the bidet, which means complete factory data resetting process.



- Batteries cannot be inverted.
- Please complete the operation within 15s after reinstalling the battery, during the process press any button of the remote control to exit "factory reset".

Self-cleaning the tank

- If not used for over 72 hours, the system will automatically perform a 1 minutes water replacement cycle upon next use.

Product Maintenance

Care and cleaning

●General care and cleaning recommendations.

Maintaining interval	Maintaining activity
Daily	Remove water drops with a soft ,lint-free cloth to avoid limescale stains.
Weekly	Clean all surfaces and corners .Clean the spray nozzle if required.See "Nozzle cleaning ".
Monthly	Clean the WC ceramic appliance with a low acidic cleaning agents.
Every half year	Replace the filter if required.
Every 4 months	Descal the device. See "Descaling the device".

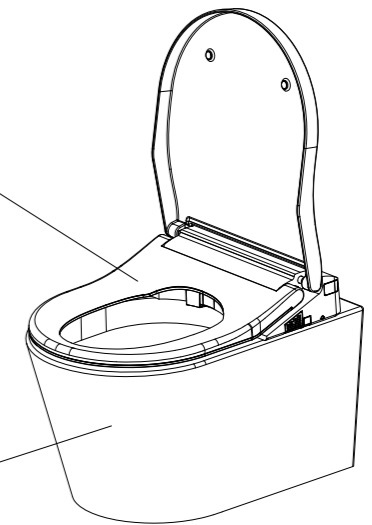
●Cleaning agents and tools.

For E-bidet

- soft cloths ,lint-free cloths
- mild cleaning agents that are kind to the skin

For WC ceramic appliance

- soft cloths ,lint-free cloths
- low acidic cleaning agents e.g. heavily diluted citric acid.
- toilet brush.



Forbidden

Do not use the cleaning agents of strong acid and alkali.
To clean the E-bidet,do not use the hard brush,e.g.toilet brush nylon brush
To clean the WC ceramic appliance ,do not use the metal brush.
Damage to the device from aggressive descaling agents.

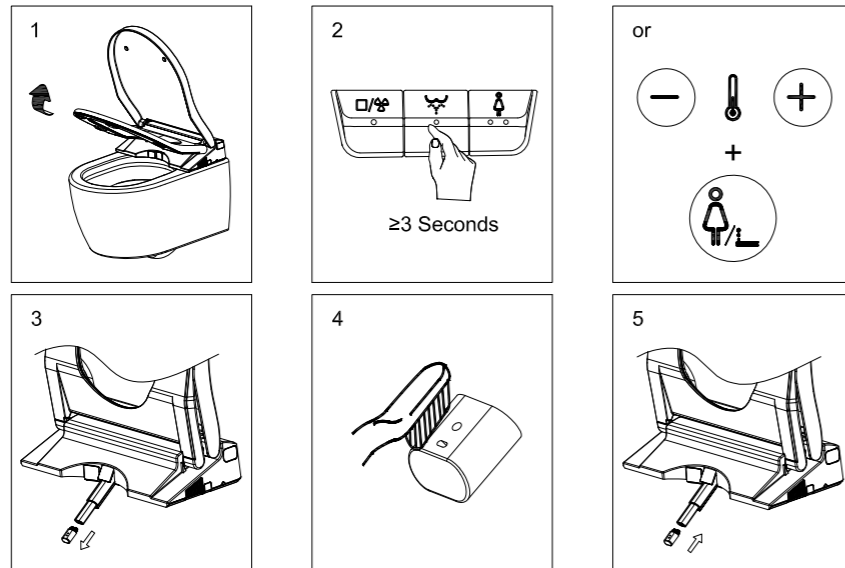
Product Maintenance

Nozzle cleaning

- Automatic: The nozzle will be automatically cleaned before washing and after washing.

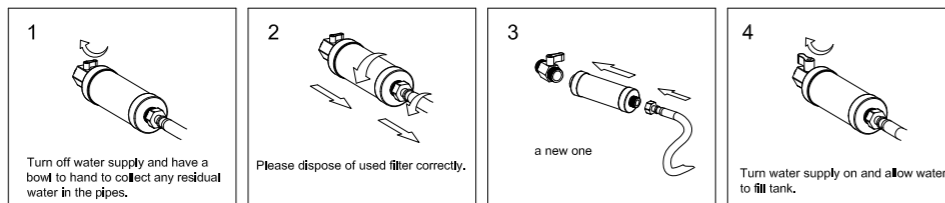
The operation of manual cleaning is as follows:

When the bidet is idle, press the "Rear Wash" button on the bidet for ≥ 3 seconds, OR Press and hold "Decrease Temperature" or "Increase Temperature" and press "Female Wash". the nozzle will come out with water and the nozzle head can be removed and cleaned by manual. The nozzle will go back automatically after 5 minutes, or you can press the "Stop" button to make the nozzle go back.



Replacing the filter

- The filter has a service life of approximately 6 months depending on the type of water used. The filter should be replaced when the wash flow pressure is low.

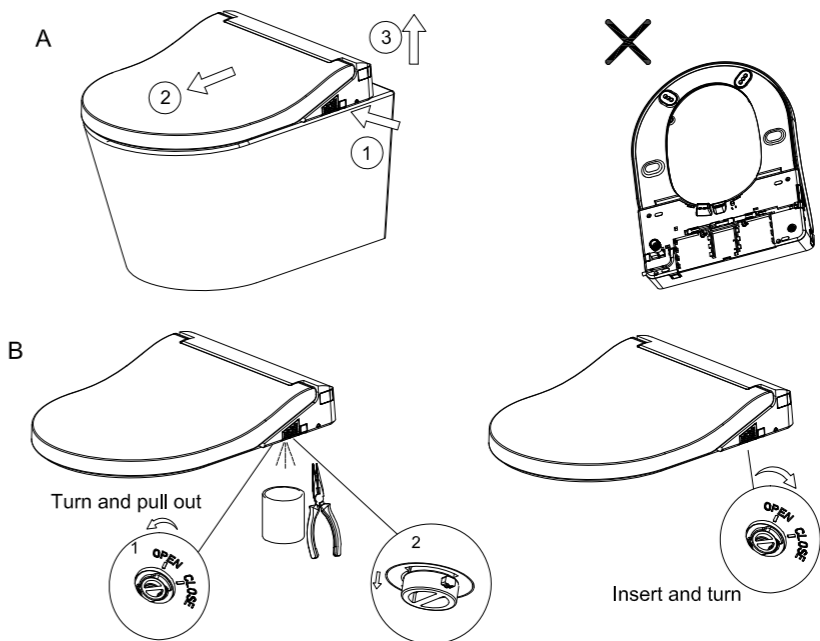


Product Maintenance

Drain the water tank (Manual Operation)

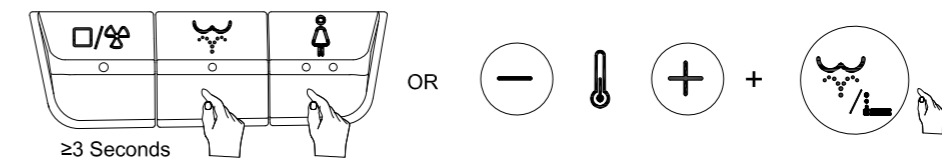


- The water and power must be cut before you disassemble the E-Bidet.
- Do not invert or tilt it before you finish draining the water tank.
- Once re-fitted ensure to turn on the water supply and allow the tank to fill before operating any washing functions.



Drain the water tank (Auto Drain)

- When the bidet is idle. Press the "Rear Wash" and "Female Wash" button on the bidet for ≥ 3 seconds. OR Press and hold "Decrease Temperature" or "Increase Temperature" and press "Rear Wash".
- The water tank will start refilling 90 seconds after draining is complete.

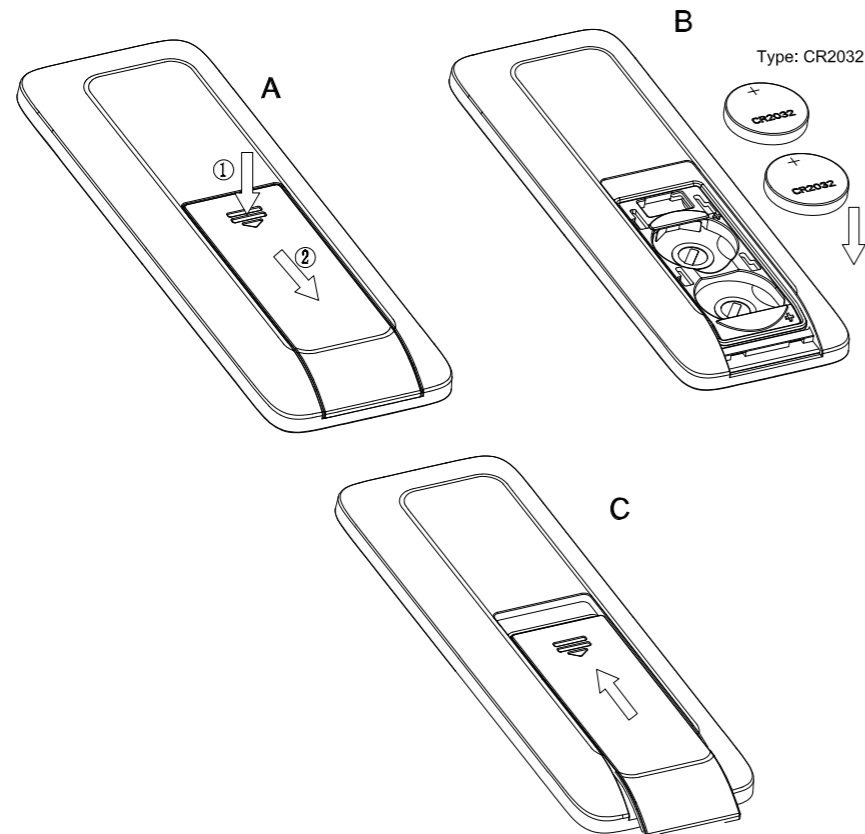


Replacing the batteries

- The remote control requires 2 batteries (type 3V CR2032).
- When the level light flashes continuously, please replace the batteries in time.



- NOTICE**
1. Non-rechargeable batteries are not to be recharged
 2. Rechargeable batteries are to be removed from the appliance before being charged
 3. Different types of batteries or new and used batteries are not to be mixed
 4. Batteries are to be inserted with the correct polarity
 5. The exhausted batteries are to be removed from the appliance and safely disposed of
 6. If the appliance is to be stored unused for a long period, the batteries should be removed
 7. The supply terminals are not to be short-circuited



36

Troubleshooting

LED Fault Indication



- Normal status: keeps on in blue
- When it's seated: keeps on in purple
- Descaling reminder: blue light flashing
- During descaling: purple light flashing
- Fault warning: red light flashing (flashes different times in cycle for different faults as below)
- Except for the fault of too high temperature, for other faults, just press the side button "Dry/Stop" to release the warning.

Fault	Flashing Times	Sound Warning	Solution
1. Power is abnormal	1	No	Re-power on and contact the dealer if there is a fault
2. Water coming out temperature is abnormal (>45°)	2	Beeps constantly	1. Until water coming out temperature is lower than 45°, press the side button "Dry/Stop" to release the warning. 2. Re-power on and contact the dealer if there is a fault
3. Air temperature is abnormal (>55°)	3	Beeps constantly	1. Until air temperature is lower than 45°, press the side button "Dry/Stop" to release the warning. 2. Re-power on and contact the dealer if there is a fault
4. Seat heating temperature is abnormal (>55°)	4	No	1. Until seat heating temperature is lower than 45°, press the side button "Dry/Stop" to release the warning. 2. Re-power on and contact the dealer if there is a fault
5. Defect of drier fan	5	No	Re-power on and contact the dealer if there is a fault
6. Overtime water coming in	6	No	1. Check whether the water pressure and flow rate of the inlet water pipe are normal. 2. Check whether the filter is blocked. 3. Press the side button "Dry/Stop" to release the warning, and observe whether it is back to normal. 4. Re-power on and contact the dealer if there is a fault
7. Overtime water coming out	7	No	1. Press the side button "Dry/Stop" to release the warning, and observe whether it is back to normal. 2. Re-power on and contact the dealer if there is a fault
8. Water coming in temperature NTC detecting is abnormal	8	No	1. Press the side button "Dry/Stop" to release the warning, and observe whether it is back to normal. 2. Re-power on and contact the dealer if there is a fault
9. Water coming out temperature NTC detecting is abnormal	8	No	1. Press the side button "Dry/Stop" to release the warning, and observe whether it is back to normal. 2. Re-power on and contact the dealer if there is a fault
10. Air temperature NTC detecting is abnormal	8	No	1. Press the side button "Dry/Stop" to release the warning, and observe whether it is back to normal. 2. Re-power on and contact the dealer if there is a fault
11. Seat heating temperature NTC detecting is abnormal	8	No	1. Press the side button "Dry/Stop" to release the warning, and observe whether it is back to normal. 2. Re-power on and contact the dealer if there is a fault
12. Initialization failure of water tank	9	No	1. Check whether the water pressure and flow rate of the inlet water pipe are normal. 2. Check whether the filter is blocked. 3. Re-power on and contact the dealer if there is a fault

37

Important Safeguards

Disposal of electric and electronic products



NOTE: This symbol and recycling system is only applicable in the European Union. It does not apply to the rest of the world.

we are committed to protecting the environment. Please help us by discarding this product at the end of its life-cycle in a responsible manner, to prevent that certain substances contained in electrical or electronic equipment may cause harm to human health and the environment.

This product should not be mixed with general household waste.

Household users should contact either the retailer where they purchased this product, or their local government office, for details of where and how they can take this item for environmentally safe recycling.

Batteries shall be previously removed and discarded separately in suitable recycling containers.

Date of Revised: 2025/08/06
Revision No. 1.0

Notes

(UK/IE/US): Our manual is available in more languages on our website.

(NL/BE): Onze handleiding is beschikbaar in meer talen op onze website.

(DE/AT/CH/LU): Unsere Anleitung ist auf unserer Website in weiteren Sprachen verfügbar.

(FR/BE/CH/LU/MC): Notre manuel est disponible dans plus de langues sur notre site web.

(ES): Nuestro manual está disponible en más idiomas en nuestro sitio web.

(PT): O nosso manual está disponível em mais idiomas no nosso website.

(IT/CH): Il nostro manuale è disponibile in più lingue sul nostro sito web.

(DK): Vores manual er tilgængelig på flere sprog på vores hjemmeside.

(SE): Vår manual finns tillgänglig på fler språk på vår webbplats.

(NO): Vår manual er tilgjengelig på flere språk på nettstedet vårt.

(FI): Käyttöoppaamme on saatavilla useammilla kielillä verkkosivustollamme.

(IS): Handbókin okkar er fánleg á fleiri tungumálum á vefsíðunni okkar.

(PL): Nasza instrukcja jest dostępna w większej liczbie języków na naszej stronie internetowej.

(CZ): Náš návod je k dispozici ve více jazycích na našich webových stránkách.

(GR): Το εγχειρίδιό μας είναι διαθέσιμο σε περισσότερες γλώσσες στον ιστότοπό μας.

(TR): Kılavuzumuz web sitemizde daha fazla dilde mevcuttur.

(AR): ينورتك لى لى ان ع قوم لى ع رثك أ تاغلب رفوتم ان لى لى د.

(RU): Наше руководство доступно на большем количестве языков на нашем сайте.

(UA): Наш посібник доступний більшою кількістю мов на нашому вебсайті.

(BY): Наша інструкцыя даступная на большай колькасці моў на нашым сайце.

www.bidetwash.com

If you're looking for additional information or answers,
please visit our website to explore the FAQ and legal policies.

