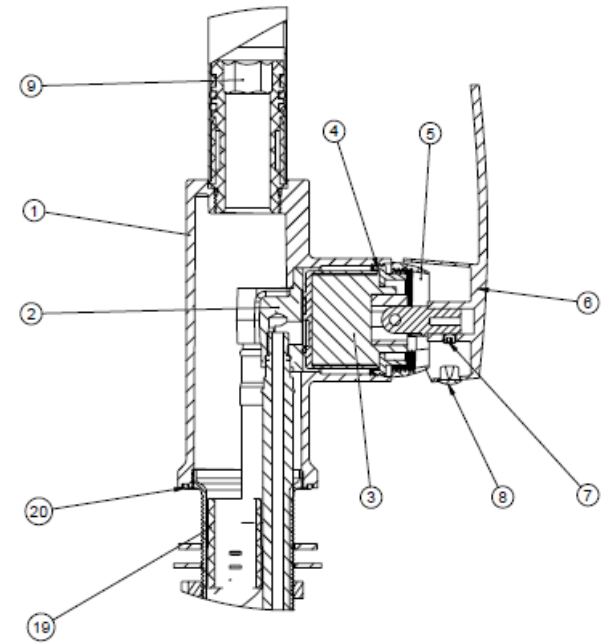
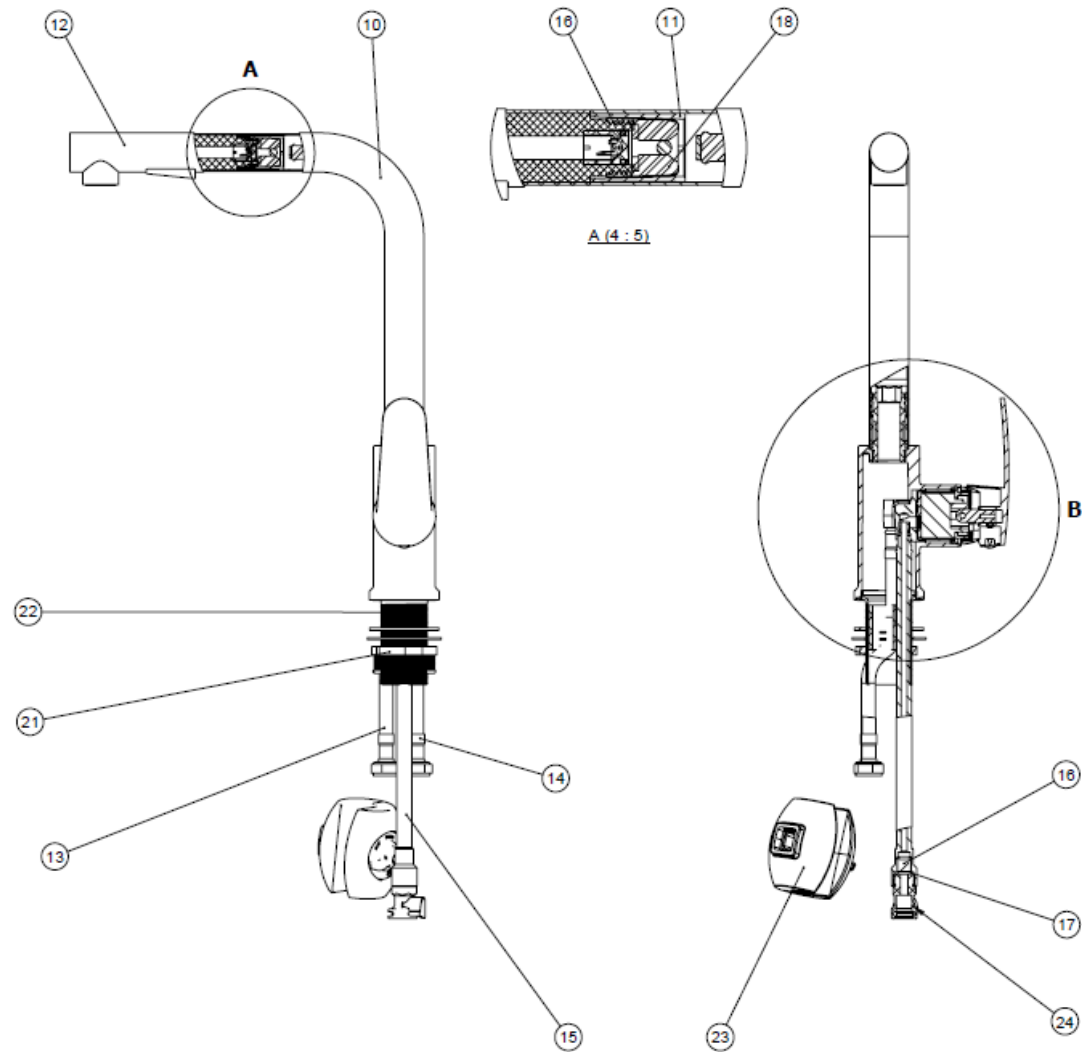


1	2	3	4	5	6	7	8
BODY	INNER BODY	CARTRIDGE	CARTRIDGE NUT	CARTRIDGE CAP	HANDLE	SETSCREW	INDEX
							
2042002.02	2042004.00	2010551.00	2042059.00	2010122.02	2014950.02	3008553.05	2017751.09
9	10	11	12	13	14	15	16
CONNECT GROUP	SPOUT	GUIDE BUSH	HANDSHOWER	FLEX HOSE(BLUE)	FLEX HOSE(RED)	CONNECT HOSE	CHECK VALVE
							
2042053.00	2042252.02	A5437832	2041550.02	A525724208	A525724008	2042070.00	OF24370001007
17	18	19	20	21	22	23	24
GASKET	PULL-OUT HOSE	POSITIONER	BASE ORING	FIXING KIT	FIXING PART	WEIGHT	CONNECTOR
							
2042060.00	2042051.00	2042056.00	2121851.00	2042080.00	2042055.00	2042058.00	2042057.00



G	52130-00-000000	2023-05	BAUCHSTEIN	MATERIAL: *
Version	Modifikation	Date	Name	MATERIAL: **

PLIEGER