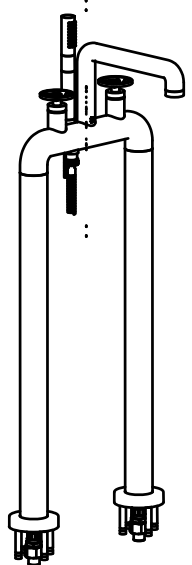
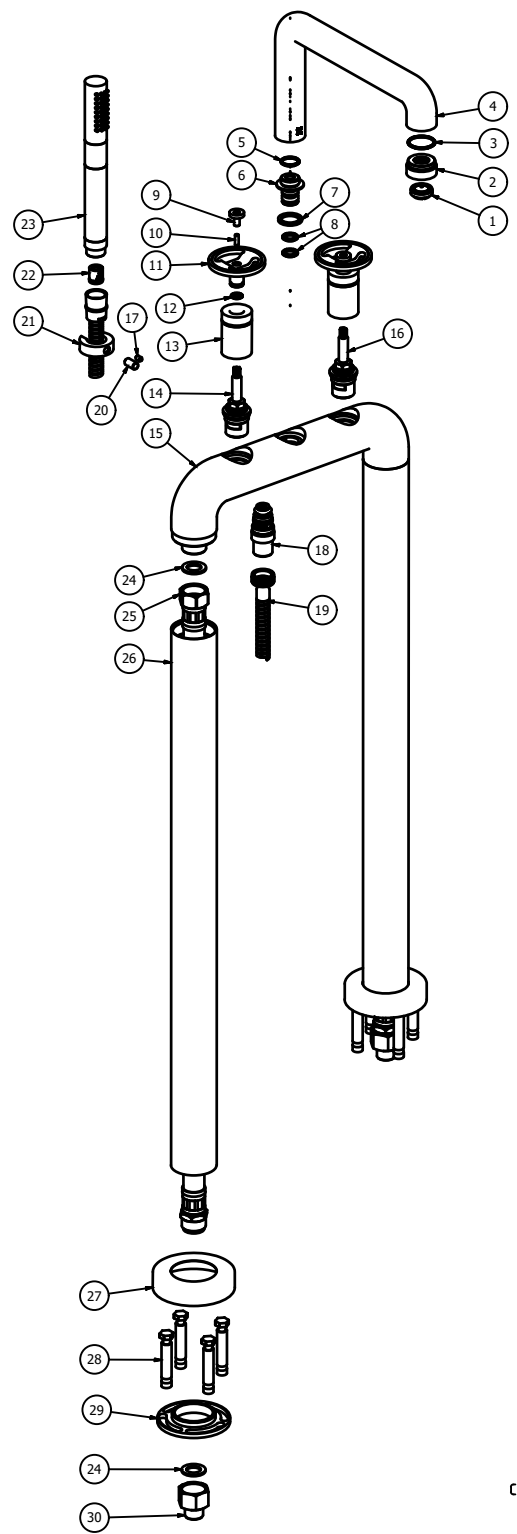


Parts list

ELEM	CODE	DESCRIPTION	QT
1	AQ0015239	Perlator coin slot M24x1 (45.2100.000)	1
2	AC0015160	Support for aerator Ø33 M30x1.5 H16	1
3	AQ0010564	OR 26.7x1.78 NBR 70 SH	1
4	CCIN02335	Spout Ø33 H157 L263 logo stamped	1
5	AQ0004630	OR 17.16x1.78 NBR 70 SH	1
6	AS0015161	Insert for spout Ø30 G1/2" L30.4	1
7	AQ0007140	Antifriction ring Ø26 Ø20.3 H2.5	1
8	AQ0001360	OR 11.91x2.62 NBR 70 SH	2
9	AC0015171	Screw Ø16 M4 H16	2
10	AC0014996	Grubscrew M4x12 flat point	2
11	CC0002277	Wheel Ø62 H30.5 8x20	2
12	AQ0004180	OR 9.25x1.78 NBR 70 SH	2
13	AC0015181	Bell Ø33 H51 M24x1	2
14	AQ0015173	Ceramic headwork G3/4" 8x20 SX red	1
15	CC0002360	Body Ø50 H100 L320	1
16	AQ0013449	Ceramic headwork G3/4" 8x20	1
17	AQ0010869	Grubscrew M5x8 cone point	1
18	KDEV24CC XN 1	Complete diverter M24x1 G1/2"	1
19	AQ0003120	Hose G1/2" cone G1/2" F L150	1
20	AC0011435	Rod M8x1 H15	1
21	AC0010597	Shower support	1
22	AQ0014210	Flow reduction valve Ø15 5LT (31.2010.1)	1
23	AQ0015375	Hand shower knurled	1
24	AQ0001600	Rubber packing 24x16x2 G3/4"	4
25	AQ0015240	Inox hose G3/4" F G3/4" M L700	2
26	AC0015182	Pipe Ø50 M48x1.5 H660	2
27	AC0012643	Carter Ø90 H15	2
28	AQ0009546	Inox plug M8x60	8
29	AS0012648	Flange Ø80 H11 M48x1.5	2
30	AQ0010076	Reduction G3/4" F G1/2" M	2



Crosswater  
UB4.22DNC