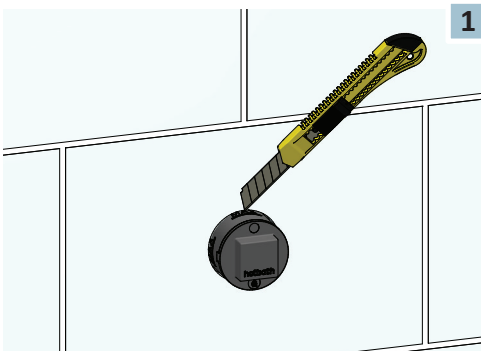
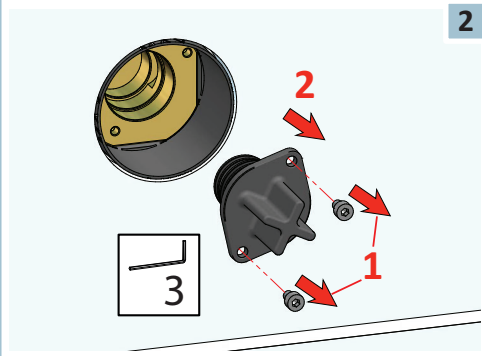




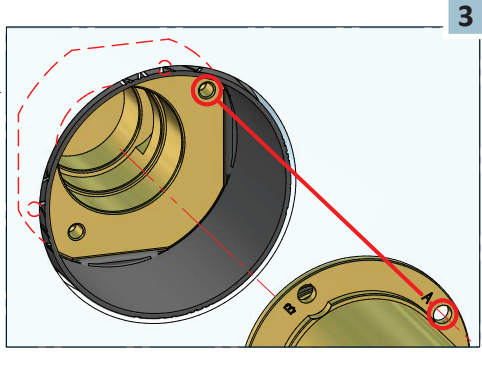
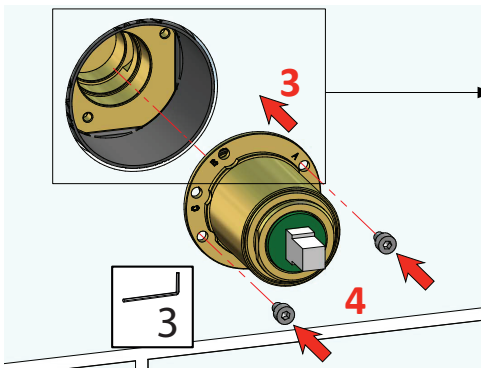
1



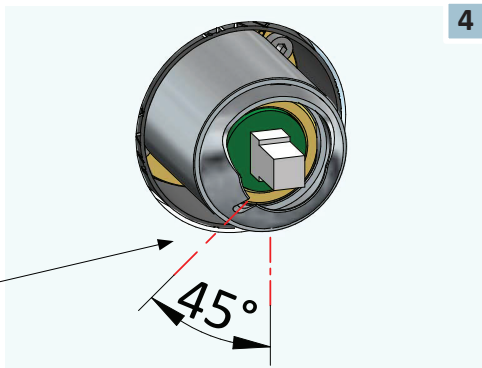
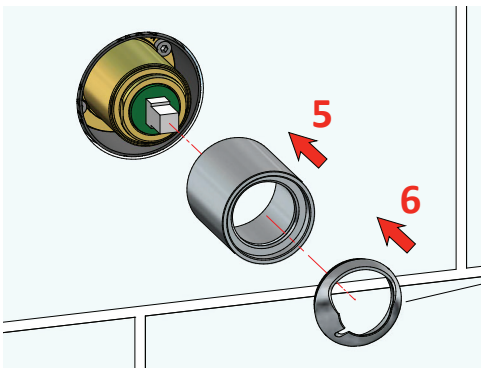
2



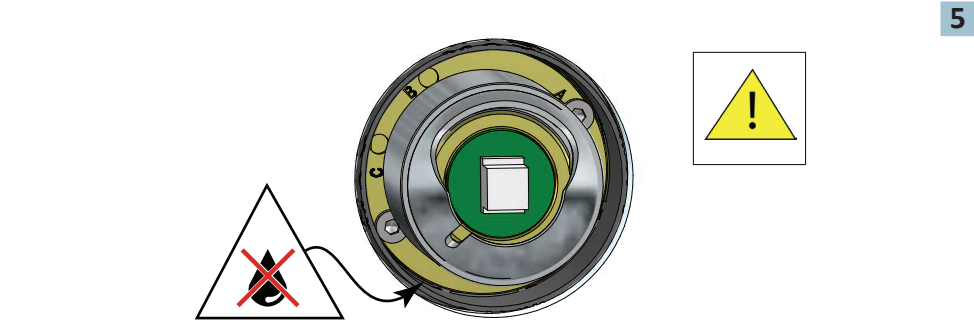
3



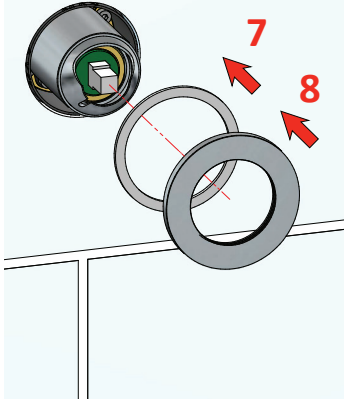
4



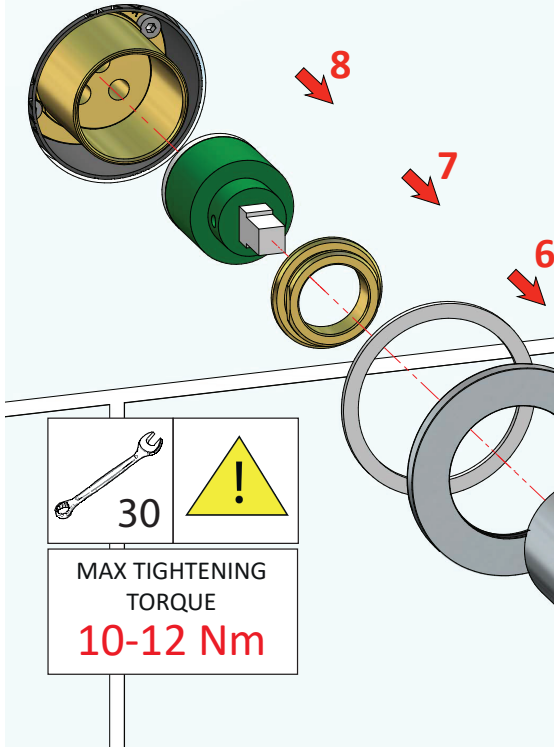
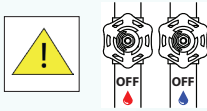
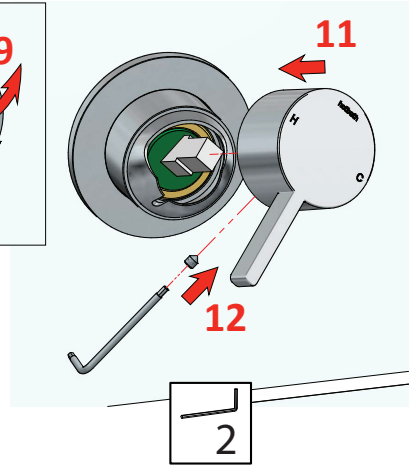
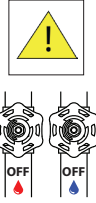
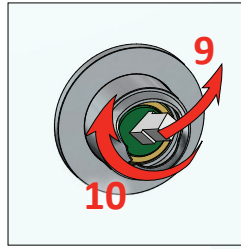
5





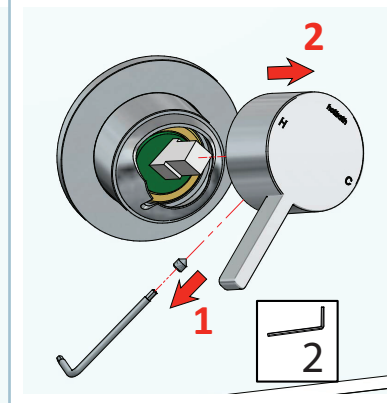
6

































7



	
30	
MAX TIGHTENING TORQUE	
10-12 Nm	



CLEANING - PULIZIA - NETTOYAGE - REINIGUNG - LIMPIEZA - REINIGING

	✓			✗		WARNING	
<b>CR</b> CHROME	 WATER ✓	 LIQUID SOAP ✓	 SMOOTH CLOTH ✓	 ABRASIVE SPONGE ✗	 ACID/ABRASIVE DETERGENT ✗	Inoxidable electrolytic finish Finitura elettrolitica inossidabile Finition électrolytique inoxydable	Inoxidierbare elektrolytische Ausführung Acabado electrolítico inoxidable Inoxidable elektrolitische afwerking
<b>GN</b> BRUSHED NICKEL	 WATER ✓	 LIQUID SOAP ✓	 SMOOTH CLOTH ✓	 ABRASIVE SPONGE ✗	 ACID/ABRASIVE DETERGENT ✗	Inoxidable electrolytic finish Finitura elettrolitica inossidabile Finition électrolytique inoxydable	Inoxidierbare elektrolytische Ausführung Acabado electrolítico inoxidable Inoxidable elektrolitische afwerking
<b>BBP</b> BRUSHED BRASS PVD	 WATER ✓	 LIQUID SOAP ✓	 SMOOTH CLOTH ✓	 ABRASIVE SPONGE ✗	 ACID/ABRASIVE DETERGENT ✗	Inoxidable PVD finish Finitura PVD inossidabile Finition PVD inoxydable	Inoxidierbare PVD Ausführung Acabado PVD inoxidable Inoxidable PVD afwerking
<b>BCP</b> BRUSHED COPPER PVD	 WATER ✓	 LIQUID SOAP ✓	 SMOOTH CLOTH ✓	 ABRASIVE SPONGE ✗	 ACID/ABRASIVE DETERGENT ✗	Inoxidable PVD finish Finitura PVD inossidabile Finition PVD inoxydable	Inoxidierbare PVD Ausführung Acabado PVD inoxidable Inoxidable PVD afwerking
<b>MBP</b> MATT BLACK PVD	 WATER ✓	 LIQUID SOAP ✓	 SMOOTH CLOTH ✓	 ABRASIVE SPONGE ✗	 ACID/ABRASIVE DETERGENT ✗	Inoxidable PVD finish Finitura PVD inossidabile Finition PVD inoxydable	Inoxidierbare PVD Ausführung Acabado PVD inoxidable Inoxidable PVD afwerking
<b>PBP</b> POLISHED BLACK PVD	 WATER ✓	 LIQUID SOAP ✓	 SMOOTH CLOTH ✓	 ABRASIVE SPONGE ✗	 ACID/ABRASIVE DETERGENT ✗	Inoxidable PVD finish Finitura PVD inossidabile Finition PVD inoxydable	Inoxidierbare PVD Ausführung Acabado PVD inoxidable Inoxidable PVD afwerking

TERMS OF SALE AND WARRANTY  
CONDIZIONI DI VENDITA E GARANZIA  
CONDITIONS DE VENTE ET GARANTIE  
CONDICIONES DE VENTA Y GARANTÍA  
VERKAUFSBEDINGUNGEN UND GARANTIE  
VERKOOP- EN GARANTIEVOORWAARDEN

NETHERLANDS  
BELGIUM  
LUXEMBOURG  
UK AND IRELAND

ALL COUNTRIES  
(EXCEPTED BENELUX, UK AND IRELAND)

<https://www.hotbath.nl/garantie>

<https://hotbath.it/en/termsforsale>



Hotbath B.V.  
Nieuwland Parc 210  
2952 DC Alblasserdam  
Nederland  
E [info@hotbath.nl](mailto:info@hotbath.nl)  
W hotbath.nl



Hotbath Srl  
Via Marco Polo 135/D  
I-55049 Viareggio  
Italy  
E [info@hotbath.it](mailto:info@hotbath.it)  
W hotbath.it

hotbath  
italian bathroomware