

BATH DRAIN

INSTALLATION INSTRUCTIONS



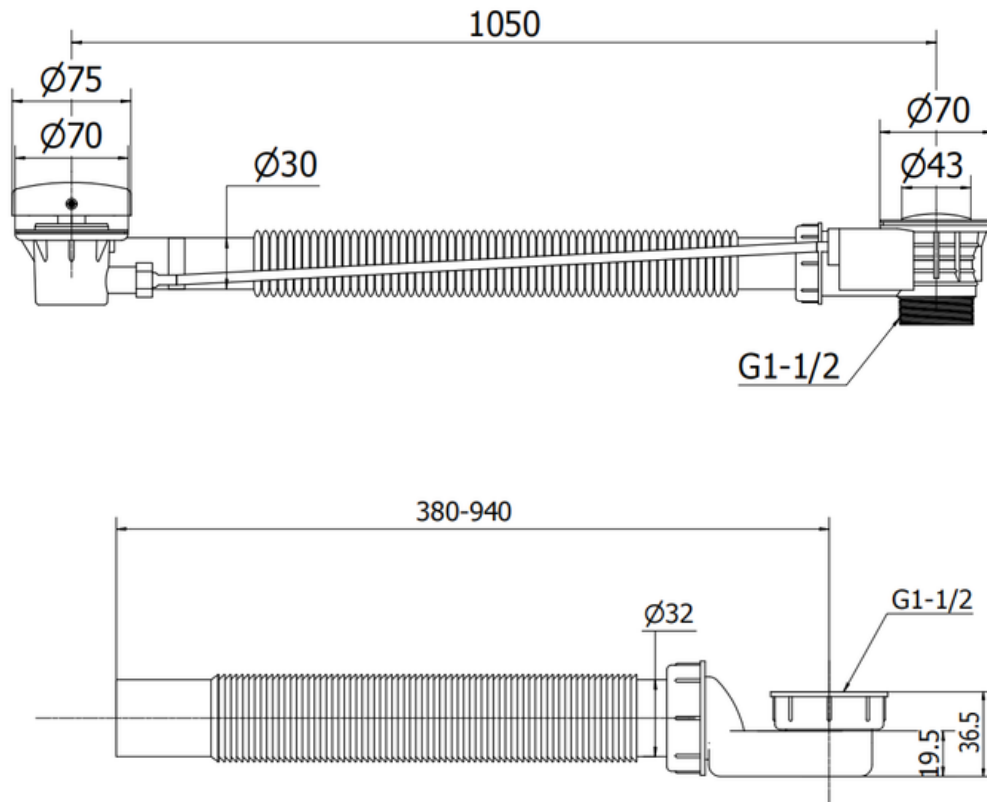
BEFORE YOU BEGIN

- Please read these instructions carefully to familiarize yourself with the required tools, materials and installation sequences
- All information is based on the latest product information available at the time of publication. We reserves the right to make changes in product characteristics, packaging, or availability at any time without notice.

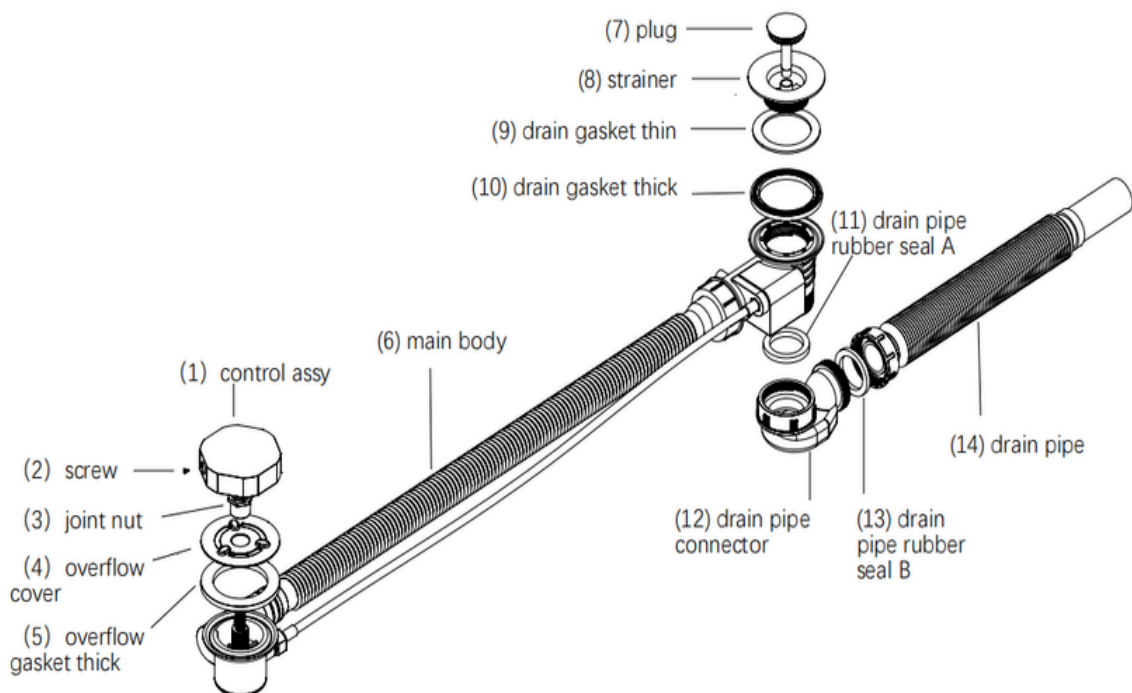
Tools Required

- Assorted screwdrivers
- Adjustable or open end wrench
- Pipe wrenches
- Pliers
- Long flat nose pliers
- Hex Wrench

SIZE



BATH DRAIN PARTS



NOTES

- Observe all local plumbing and plumbing codes.
- Inspect waste and supply tubing if all working properly; replace if necessary.
- The drain has removable parts.
- Do not use sharp and hard objects when taking out the drain plug to avoid scratching it.
- Use neutral detergent and clean by cotton. Pls do not scratch the surface to avoid damage it.
- Please place the bath on wooden brackets or bricks to ensure the drain assembly located under the bath.

Installation step:

1. Measure the distance between the two holes of bathtub, make sure our bath drain size match with it.
2. Fit drain gasket thin (9) to strainer (8) .
3. Insert strainer (8) into bath drain hole from inside.
4. Fit drain gasket thick (10) to drain main body (6) and put the main body under the bath drain hole.
5. Thread strainer (8) into (6) main body. **DO NOT OVERTIGHTEN.**
6. Put overflow gasket thick (5) on main body (6).
7. Ensure control cable is not twisted or tangled .
8. Make proper adjustment to ensure the overflow end of main body is placed center under the bathtub.
9. Put the overflow cover (4) onto the overflow end of main body from inside.
10. Spin the joint nut (3) to fasten the overflow cover.
11. Put the control assy (1) on the overflow and fasten it by screw (2).
12. Put plug (7) on strainer (8).
13. Control the plug (7) by truning the control assy (1).
14. Put drain pipe rubber seal A (11) into drain pipe connector (12).
15. Connect drain pipe connector (12) to the (6) main body connector.
16. Double check if the pipes and fittings on the right position and not twisted.
17. Close the plug. Pour some water into the bathtub and stay for a period to test if have leakage. Turn control assy to make sure the bath drain function works properly. And check the drain pipe if water go fastly and smoothly.
19. If all no problem, pls carry on the bathtub installation and assemble the other end of the drain pipe to right position.