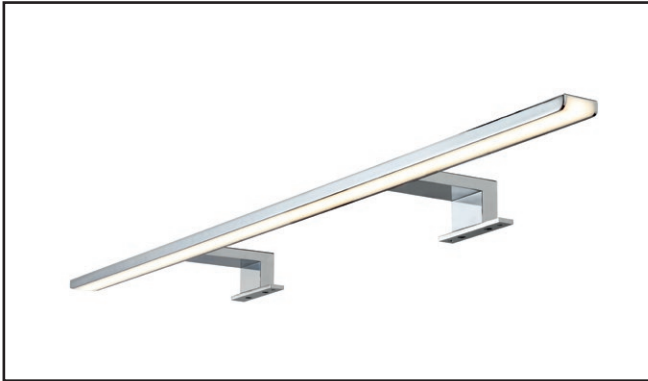




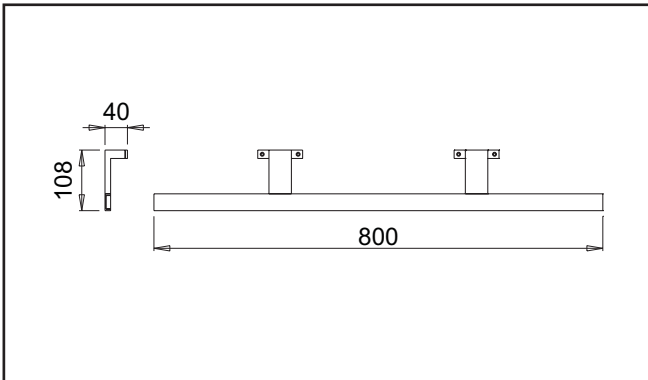
Pinge 80 LED verlichting

SKU 933102

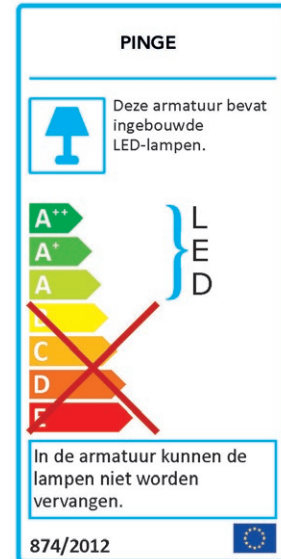
AFBEELDING:






MAATTEKENING:





ENERGIELABEL:



Type verlichting	LED verlichting
Type bevestiging	op spiegelkast of op spiegelpaneel
Uitvoering	chroom
Lumen	1040 lm
Watt	13W
Kelvin	3000°K
Volt	220-240V
IP waarde	IP44
Lengte aansluitsnoer	800 mm
Transfo	rechtstreekse aansluiting op het net, geen transfo nodig
Keuringen	CE   IP44 
Netto gewicht	520 g
Garantie	5 jaar
Extra's	

CE The CE mark indicates that the product is conforming and satisfies all the community directives that are applicable; it guarantees the right of this product to be freely commercialized in all the states members of the European Union.

 Insulation degree II: Appliances in which electric shock protection is provided, in addition to the basic insulation, by further or reinforced insulation (also known as double insulation). In this case, the appliance does not need to be connected to the mains.

 Protection degree F: Appliances bearing the F symbol may be installed directly on normally inflammable surfaces. Normally inflammable surfaces are defined as surfaces made from materials such as wood or wood derivatives and which are more than 2 mm thick.

IP44 Protection degree IP44: Protected against solid objects greater than 1 mm. Protected against splashing water.

 Inside use.