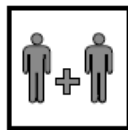
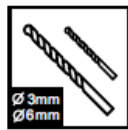
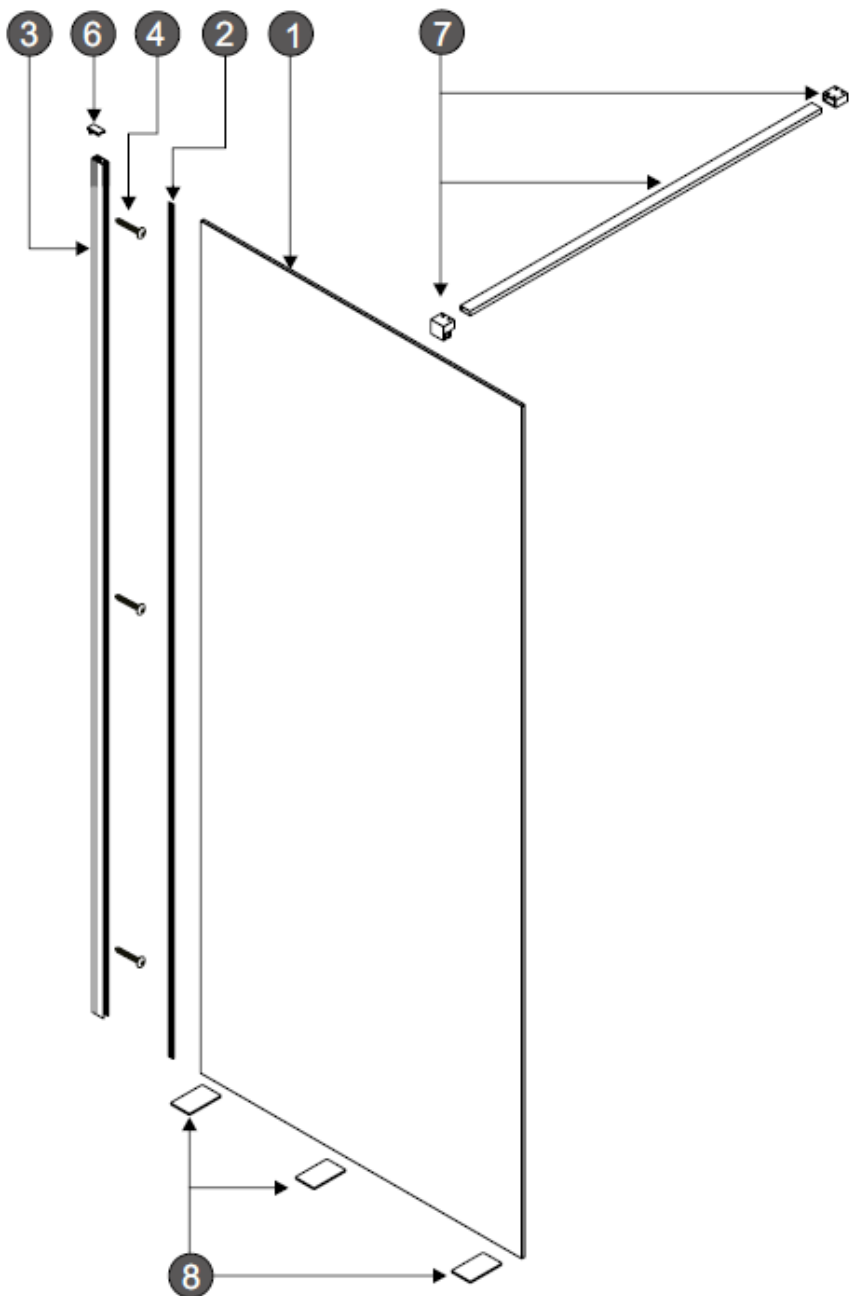
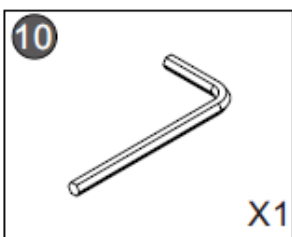
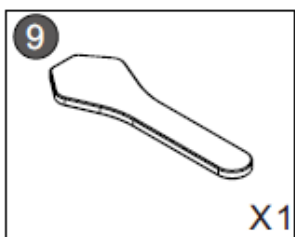
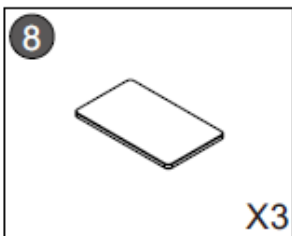
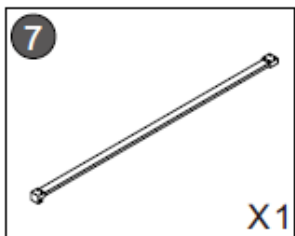
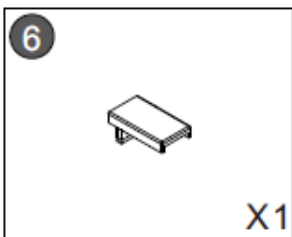
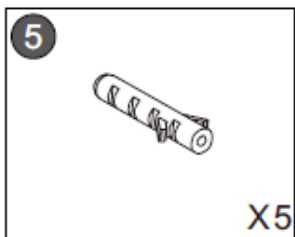
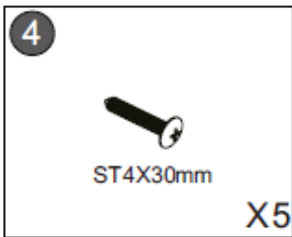
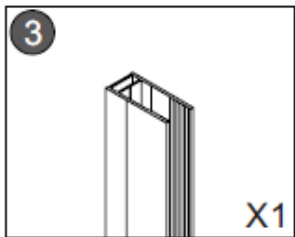
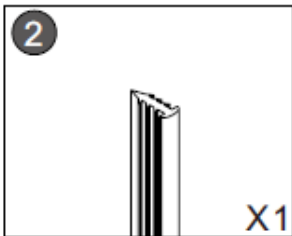
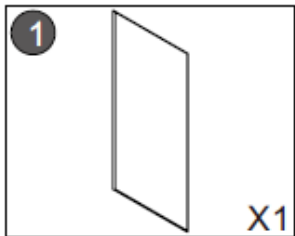
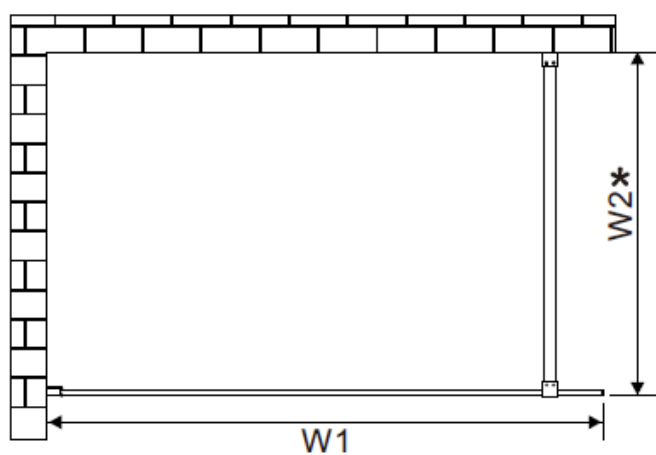
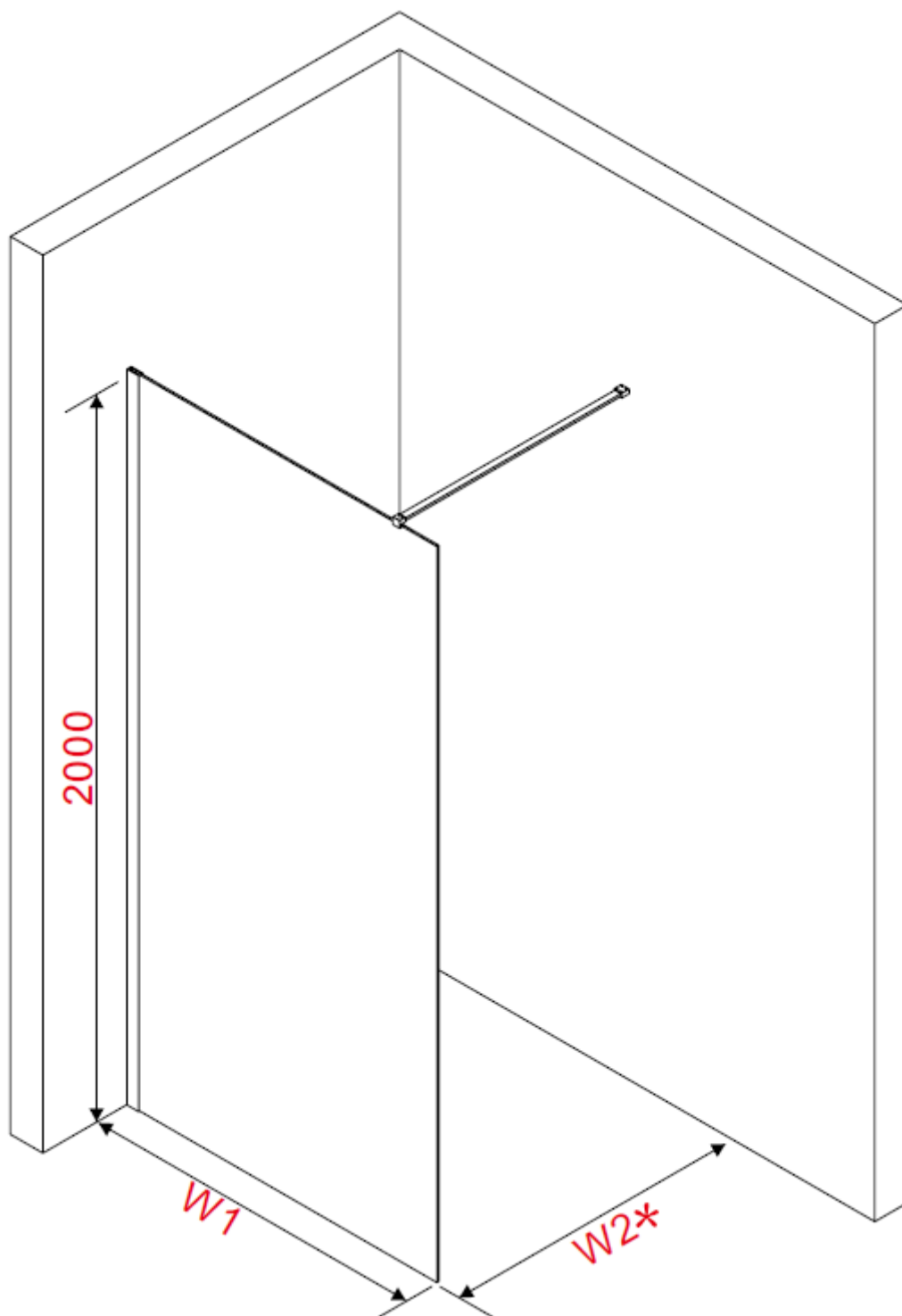


adema



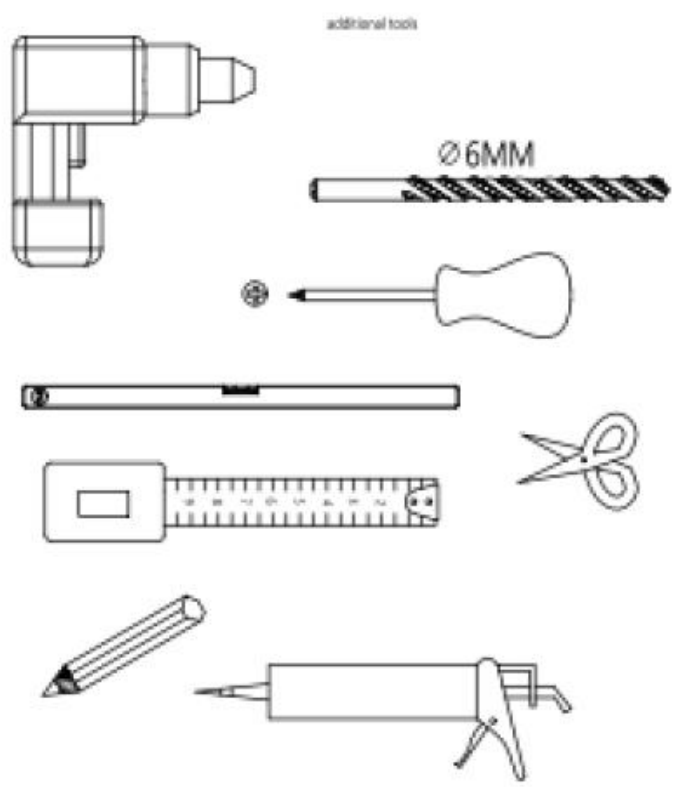
ardema



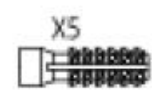
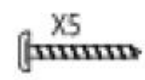


	W1	W2*
600	570-590mm	700-1490mm
700	670-690mm	700-1490mm
800	770-790mm	700-1490mm
900	870-890mm	700-1490mm
1000	970-990mm	700-1490mm
1100	1070-1090mm	700-1490mm
1200	1170-1190mm	700-1490mm
1300	1270-1290mm	700-1490mm
1400	1370-1390mm	700-1490mm
1500	1470-1490mm	700-1490mm

3

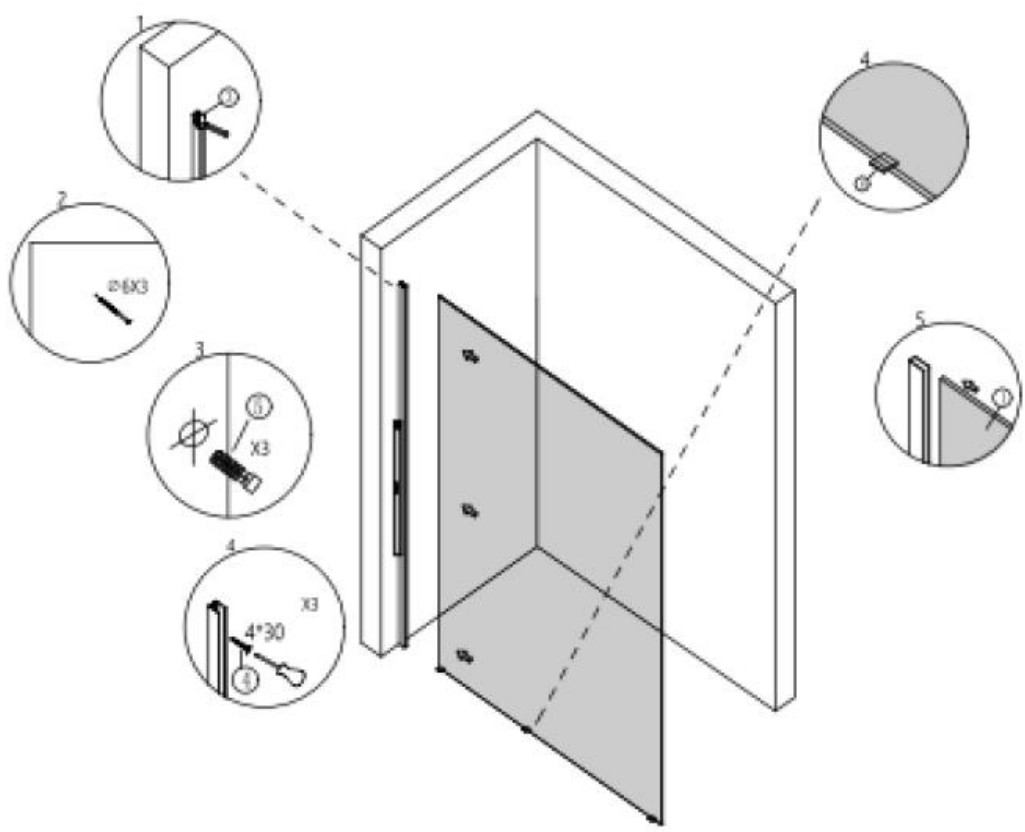


included



ardema

4



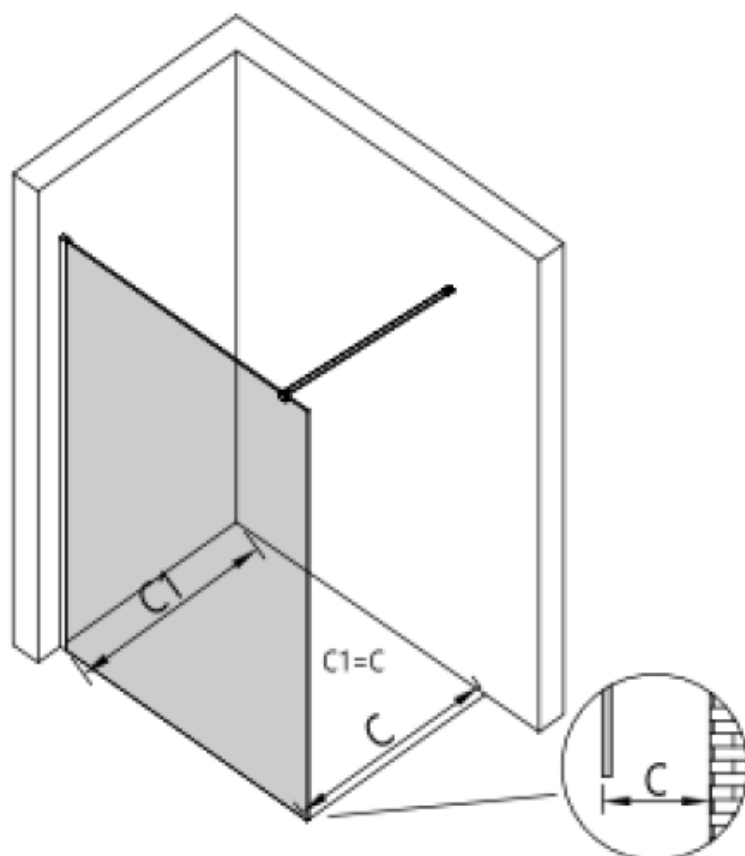
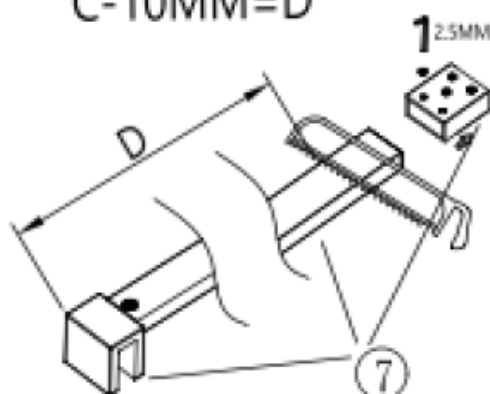
5

$C = 1495\text{MM}$

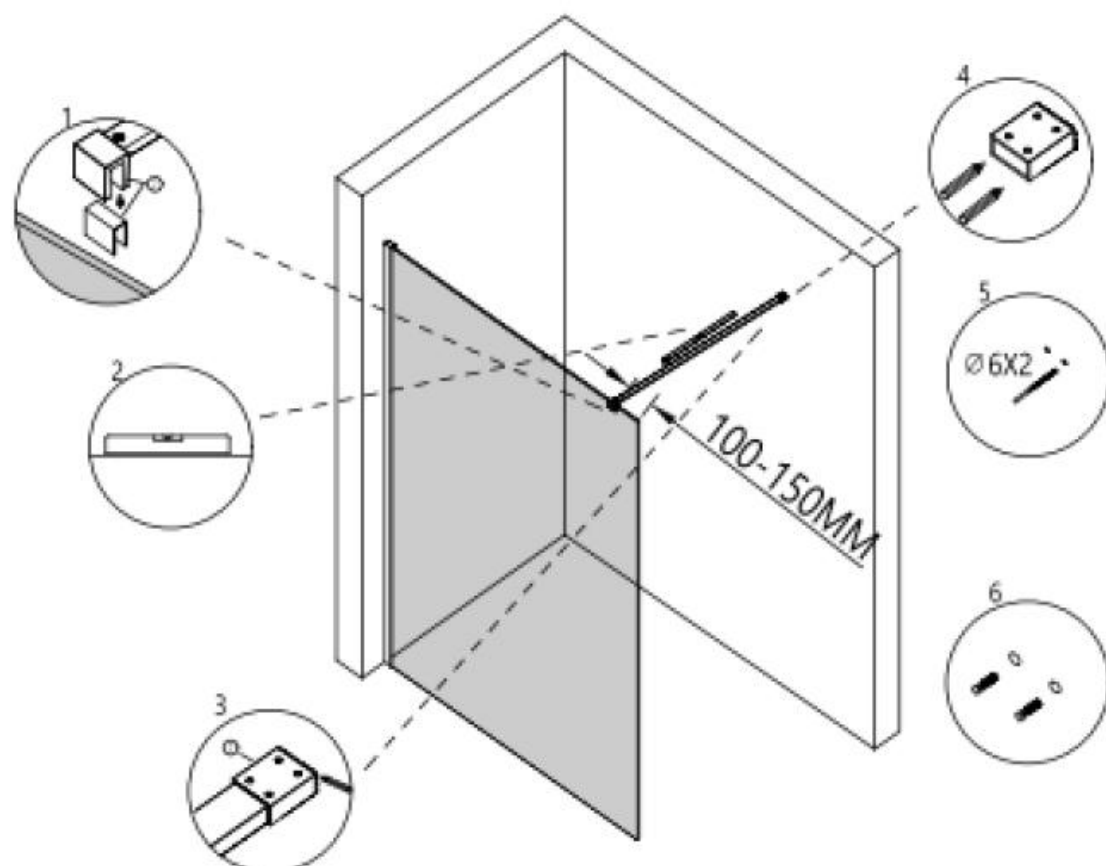


$C < 1495\text{MM}$

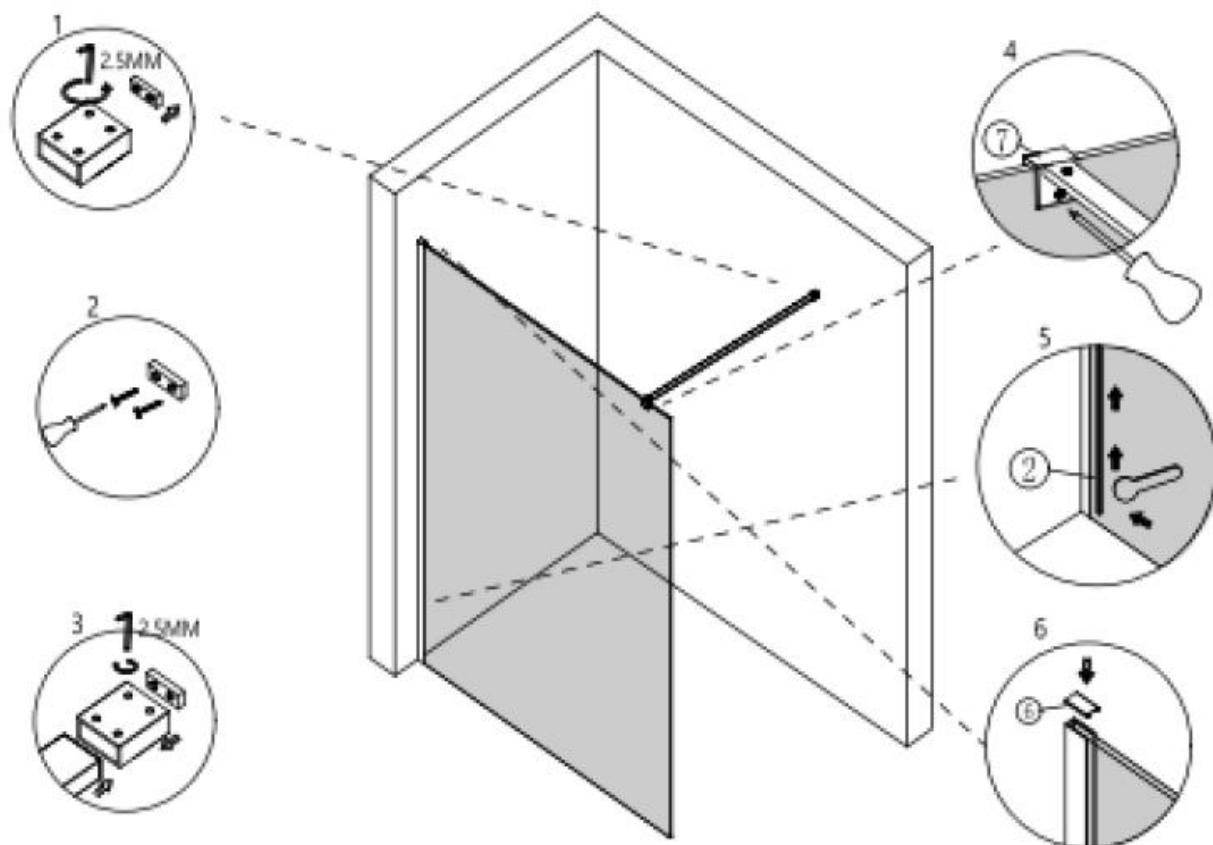
$C - 10\text{MM} = D$



6



7



8

