

# PRODUCT DATA SHEET



PRODUCT CODE  
GL3516FWO+

RANGE  
GLIDE II

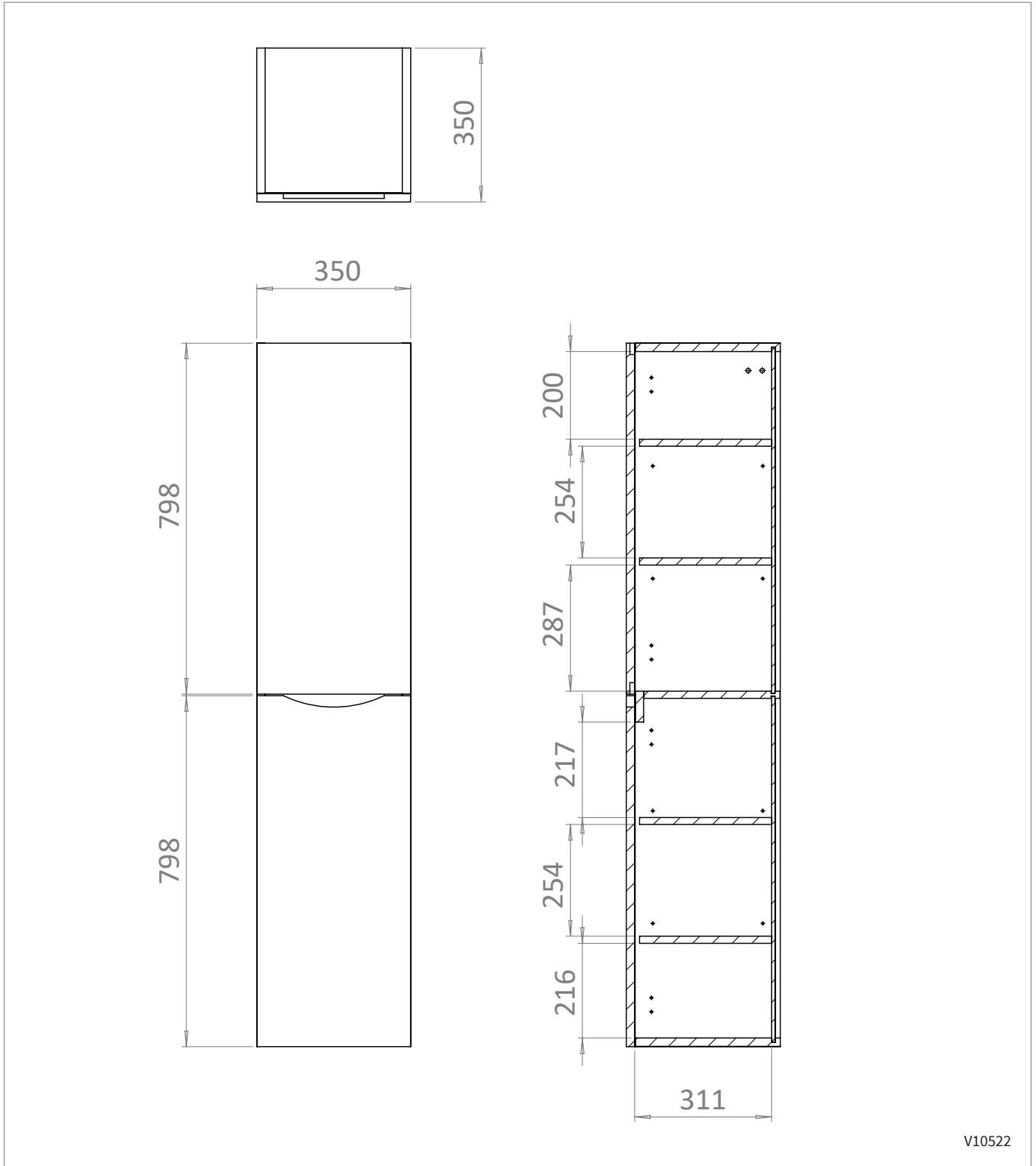
DESCRIPTION  
Tower Unit Windsor Oak With Shelves

COLOUR	Windsor Oak
COLOUR CODE/ REFERENCE	Crosswater Exclusive
MATERIAL	16mm and 18mm MDF/MFC
STANDARDS	EN 13986 EN 14749
INSTALLATION TYPE	Wall-Mounted
HINGES	Soft Close Hinges 95 Degree
WALL HANGERS	CAMAR with Safety Lock - Factory Fitted 120kg Load Capacity Per Pair On A Solid Wall 3 Way Adjustment
ADJUSTABLE FEET	No
WEIGHT	23kg
WARRANTY	10 Years

## TECHNICAL DIMENSIONS

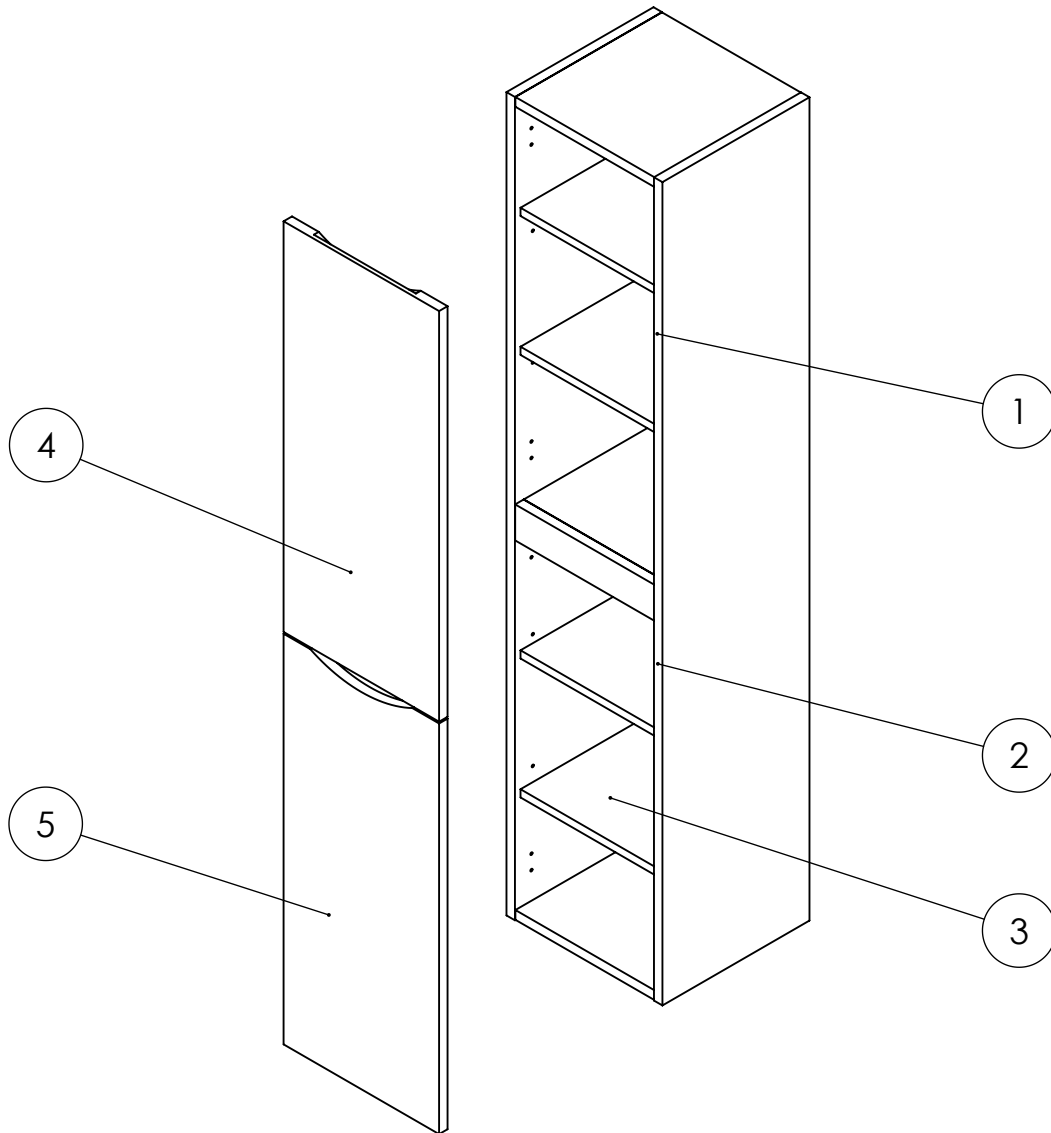
Dimensions in mm unless otherwise specified.

Tolerances (per material type) apply.



V10522

## SPARES DIAGRAM



Only the parts labelled are available as spares.

V10522

## SPARES DIAGRAM

NUMBER	PART CODE	DESCRIPTION
1	DOHI_TOPGL3516F+	Top Door Soft Close Hinge X2 for GL3516F
2	DOHI_LOWERGL3516F+	Lower Door Soft Close Hinge X2 for GL3516F
3	SH_3516GL	Glide II Tower Internal Shelf
3	WB875ACZ10047	Glide II Furniture Wall Brackets Tower Unit
4	TDF_3516GLDNO	Glide II Top Drawer Front - Nordic Oak
	TDF_3516GLDBS	Glide II Top Drawer Front - Blue Smoke
	TDF_3516GLDSG	Glide II Top Drawer Front - Storm Grey
	TDF_3516GLDWG	Glide II Top Drawer Front - White Gloss
	TDF_3516GLDWO	Glide II Top Drawer Front - Windsor Oak
	TDF_3516GLDST+	Glide II Top Drawer Front - Steelwood
	TDF_3516GLDBM	Glide II Top Drawer Front - Matt Black
5	BDF_3516GLDNO	Glide II Bot Drawer Front - Nordic Oak
	BDF_3516GLDBS	Glide II Bot Drawer Front - Blue Smoke
	BDF_3516GLDSG	Glide II Bot Drawer Front - Storm Grey
	BDF_3516GLDWG	Glide II Bot Drawer Front - White Gloss
	BDF_3516GLDWO	Glide II Bot Drawer Front - Windsor Oak
	BDF_3516GLDST+	Glide II Bot Drawer Front - Steelwood
	BDF_3516GLDBM	Glide II Bot Drawer Front - Matt Black
	WGREPAIR	Touch Up Kit White Gloss
	BSREPAIR	Touch Up Kit Blue Smoke
	SGREPAIR	Touch Up Kit Storm Grey
	BMREPAIR	Touch Up Kit Matt Black

Only the parts labelled are available as spares.

V10522