

PRODUCT DATA SHEET



PRODUCT CODE

ART6248

RANGE

MIRROR L

DESCRIPTION

Artist Forme LED Mirror 640mm x 488mm

COLOUR Mirror Glass

MATERIAL Glass & Aluminium

HANDLING/INSTALLATION Wall Mounting

LED WATTAGE 6.2W

DRIVER WATTAGE 15W

TEMPERATURE CHANGING COLOUR RANGE (K) Yes
2700 - 6400

LUMINOUS EFFICACY (LM/W) 95

COLOUR RENDERING INDEX (RA) 85

ENERGY RATING F

SWITCH TYPE Touch Switch

IP RATING 44

DIMMABLE Yes

LIGHT TYPE LED

CABLE LENGTH 1050mm

STANDARDS EN60598 EN60592 EN62493

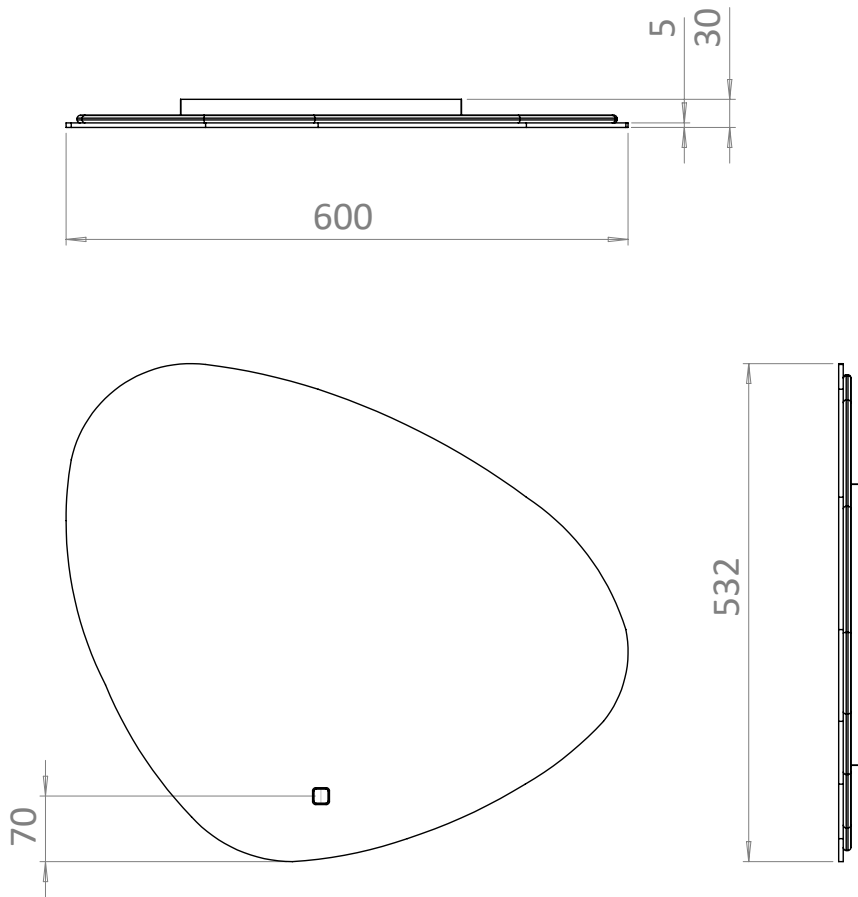
DOP CLASS 01 - 2017

WARRANTY 5 Years

TECHNICAL DIMENSIONS

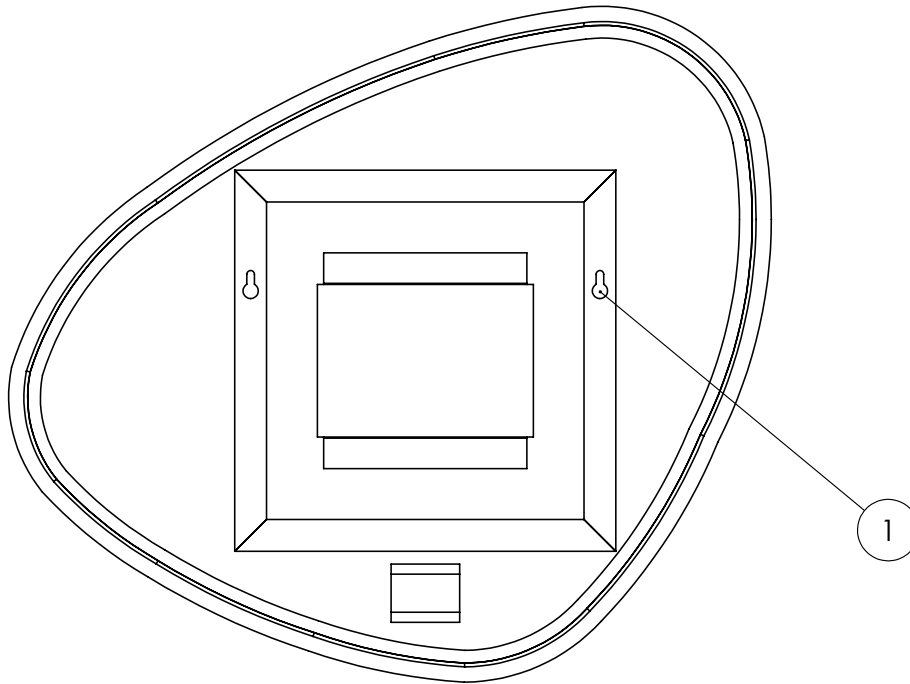
Dimensions in mm unless otherwise specified.

Tolerances (per material type) apply.



V10522

SPARES DIAGRAM



NUMBER	PART CODE	DESCRIPTION
1	MIRRORFIX	Fixing screw pack for keyhole mirror fixing

V10522