

Thermostat Installation Manual

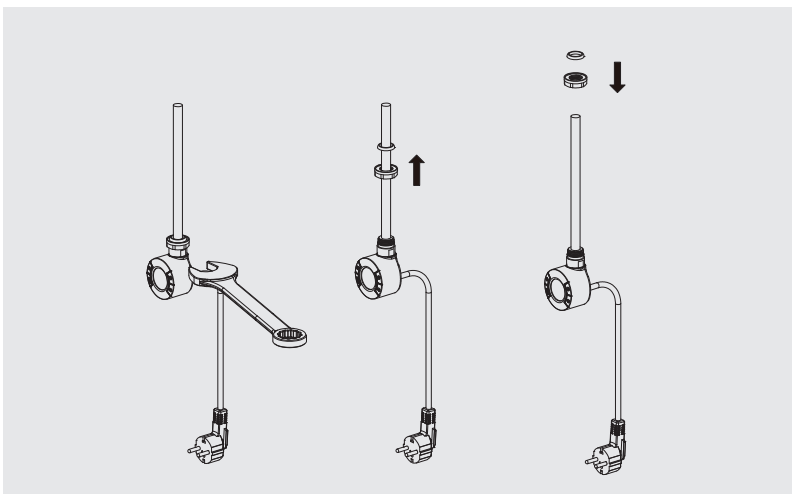
1

Place the product upside down and remove the old thermostat from the radiator by turning it counterclockwise with a #22 spanner. **NOTE:** Due to long term use of the radiator, there may be strong air pressure inside. Please prevent the internal liquid from splashing and take care to protect yourself when removing the old thermostat.



2

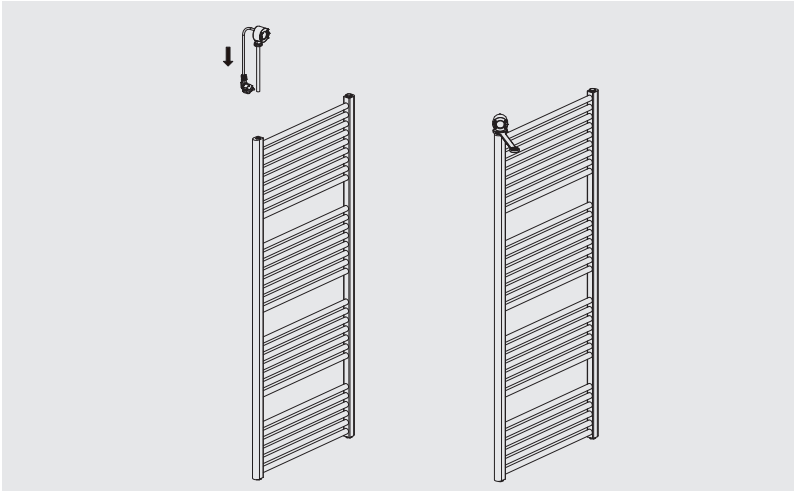
Use a #27 spanner to remove the hexagon nut and conical seal ring from the old thermostat and assemble them to the threaded flange of the new thermostat.



3

Insert the new thermostat into the threaded opening of the radiator. Use a #22 spanner to tighten the thermostat clockwise and adjust it to the front so it can be operated easily and comfortably.

NOTE: Do not twist the thermostat directly by hand as this could lead to damage.

**4**

If the thermostat is still slightly loose after step 3. Please use a #22 spanner to hold the thermostat in place, then use a #27 spanner to twist the hexagon nut clockwise until the thermostat is fixed. Then the installation of the thermostat is complete.

