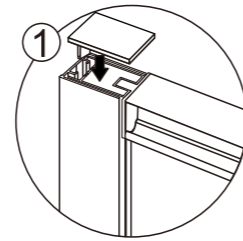
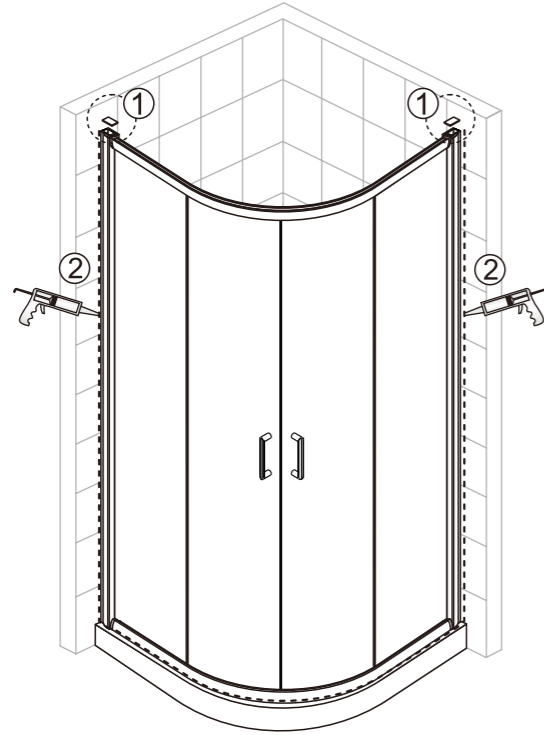


Step 7



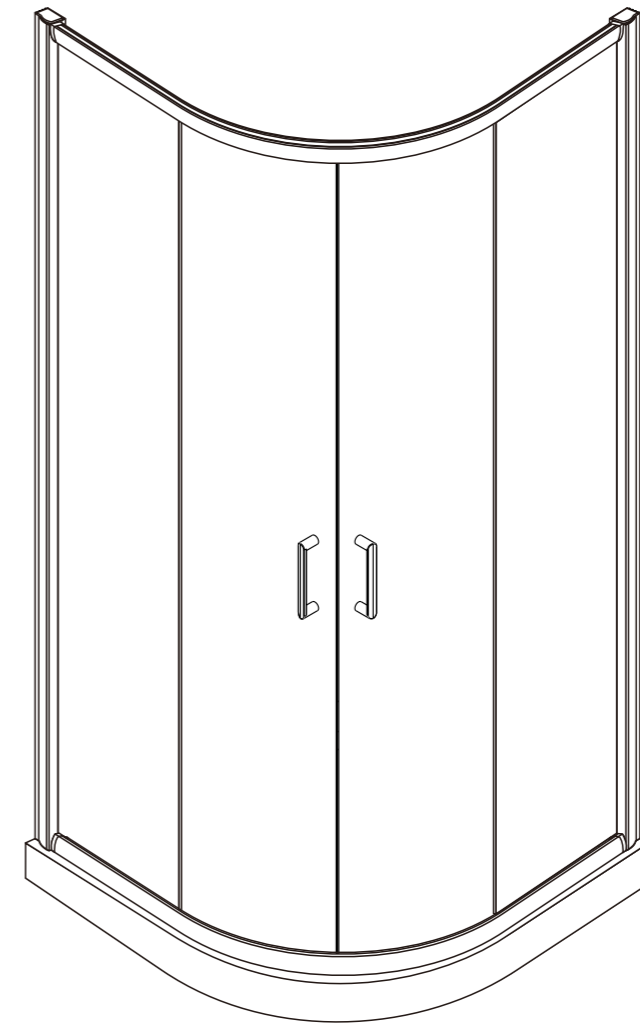
View from inside



Allow 24 hours for silicone to dry before use.

# INSTALLATION INSTRUCTIONS

## SW238228/SW491633



Size: 900x900x1950mm

## ◆ General Information

Please inspect the product immediately upon receipt for transit damage, missing packs/parts or manufacturing fault. Damage reported later cannot be accepted. Please handle the product with care avoiding knocks and shock loading to all sides and edges of the glass.

### Notes: Safety glass can not be re-worked.

Please read these instructions carefully before start of installation.

Special care should be taken when drilling walls to avoid hidden pipes or electrical cables.

Note: This product is heavy and may require two people to install.

### Aftercare instructions

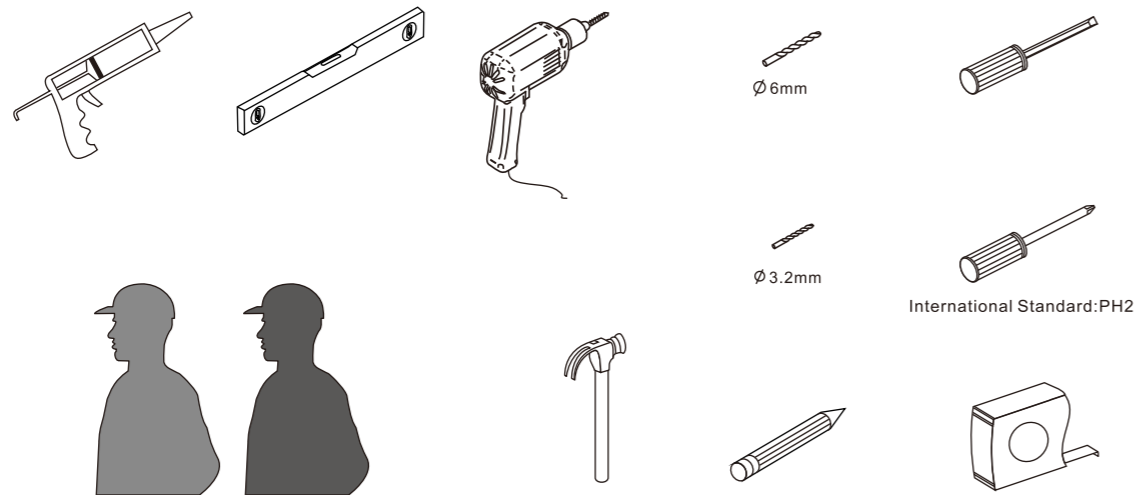
After use, your shower should be cleaned with soap and water. This is particularly important in hard water districts where insoluble lime salts may be deposited and allowed to build up.

Cleaners of a gritty or abrasive nature should not be used. Care should be taken to avoid contact with strong chemicals such as organic solvents and strippers.

Glass cleaners can be used but with caution, if in doubt contact the manufacturer of the cleaner in question.

Please keep these instructions for aftercare and customer service details.

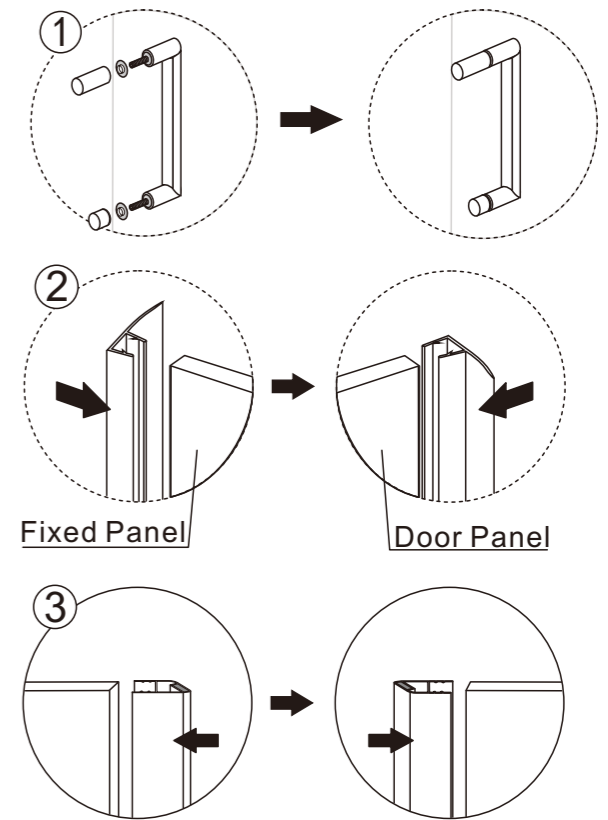
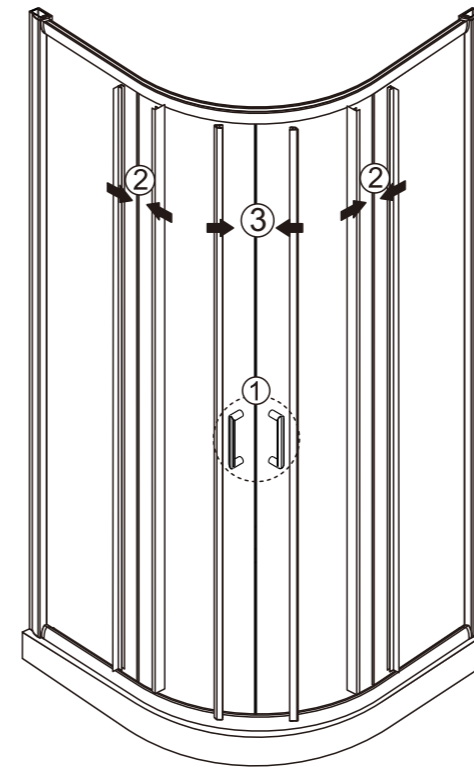
### Tools Required



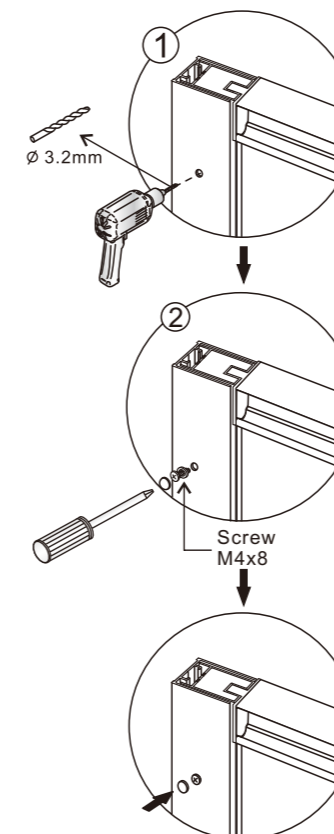
This product is heavy and may require two people to install.



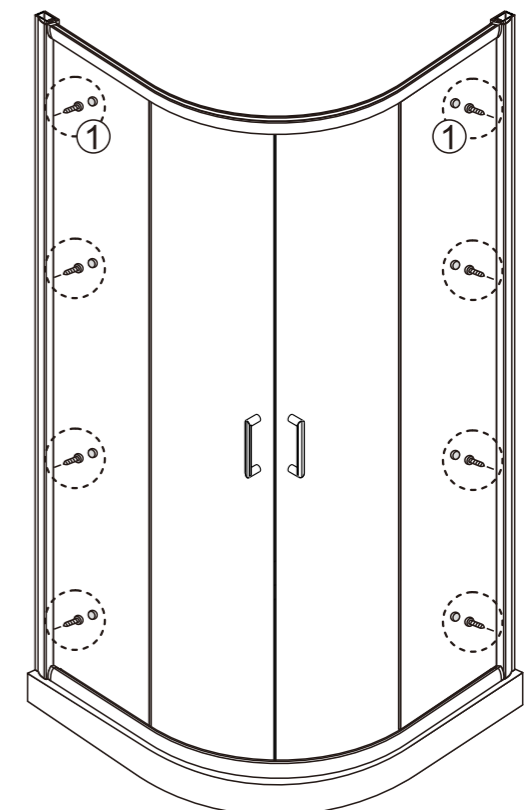
## Step 5



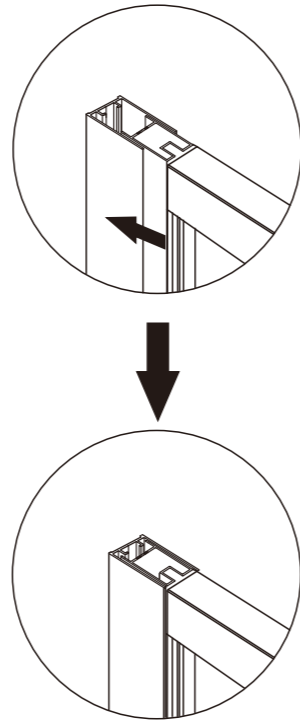
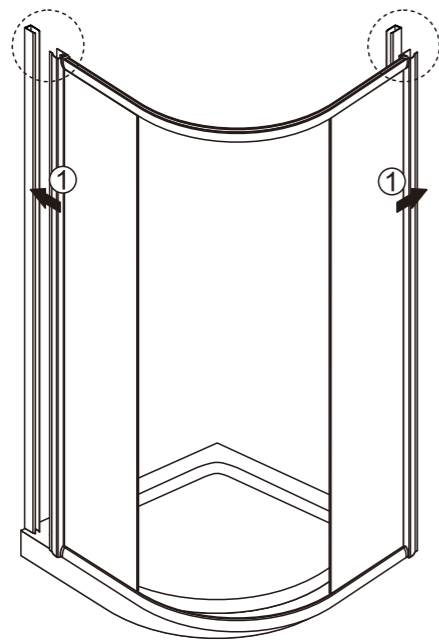
## Step 6



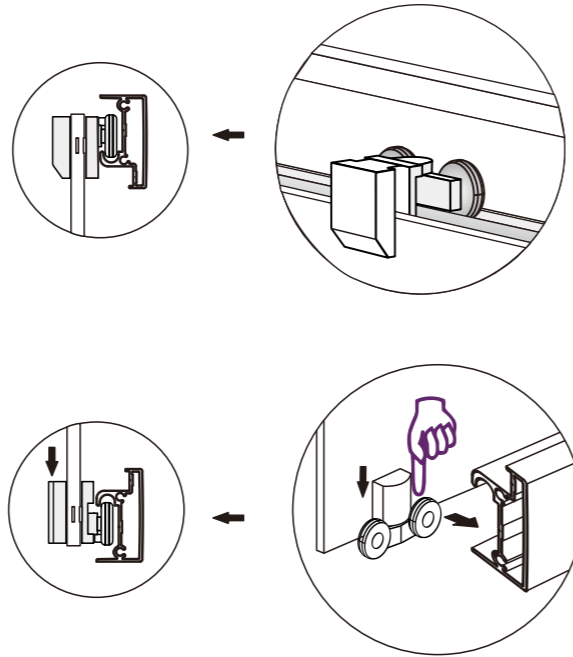
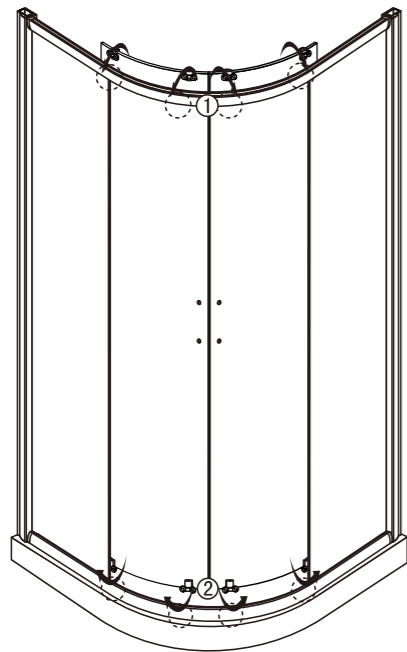
View from inside



### Step 3



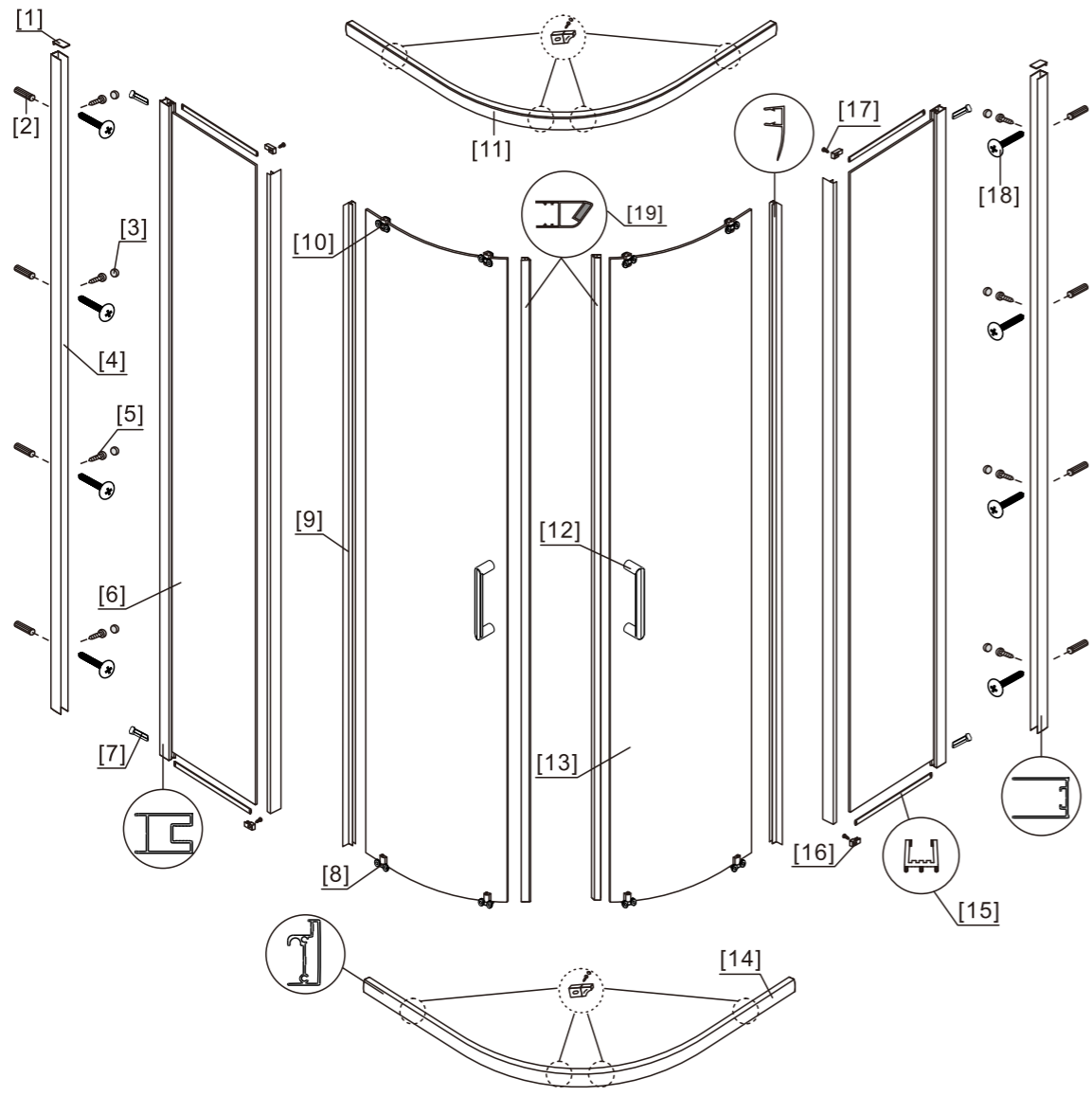
### Step 4



### ◆ Box Contents:

[1] 1xTop Horizontal Rail. 1xBottom Horizontal Rail. 1xLube.	➔	
[2] 1xInstallation Instruction.	➔	
[3] 2xHandle Sets.	➔	
[4] 4xBumpers. 4xScrews M4x12.	➔	
[5] 2xProfile Covers. 4xJumpers.	➔	
[6] 8xWall Plugs. 8xScrews M4x35.	➔	
[7] 8xScrews M4x8. 8xScrew Cover Caps.	➔	
[8] 2xWall Posts.	➔	
[9] 4xWater Deflectors. 4x`U` Deflectors.	➔	
[10] 2xFixed Panels.	➔	
[11] 4xBottom Rollers. 2xDoor Panels. 4xTop Rollers.	➔	
[12] 2xMagnetic Seals .	➔	

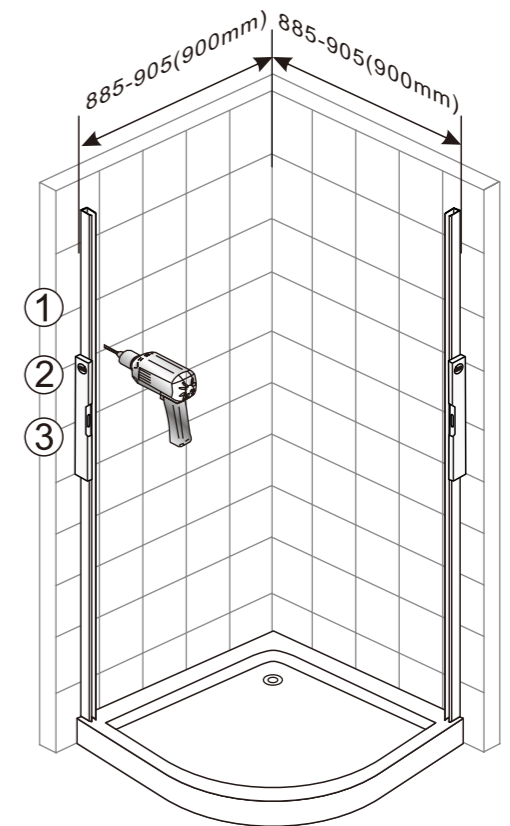
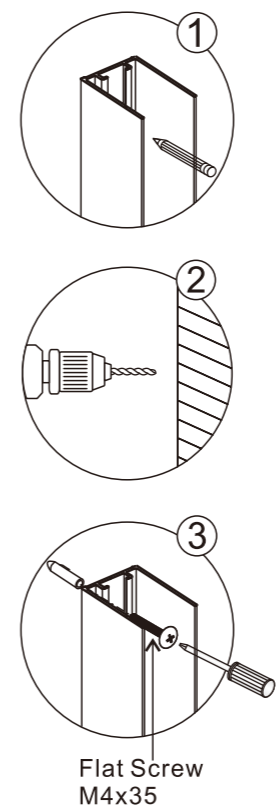
# ◆ Assembly Drawing



- |                        |                               |
|------------------------|-------------------------------|
| [1] 2xProfile Covers   | [10] 4xTop Rollers            |
| [2] 8xWall Plugs       | [11] 1xTop Horizontal Rail    |
| [3] 8xScrew Cover Caps | [12] 2xHandle Sets            |
| [4] 2xWall Posts       | [13] 2xDoor Panels            |
| [5] 8xScrews M4x8      | [14] 1xBottom Horizontal Rail |
| [6] 2xFixed Panels     | [15] 4x"U" Deflectors         |
| [7] 4xJumpers          | [16] 4xBumper Blocks          |
| [8] 4xBottom Rollers   | [17] 4xScrews M4x12           |
| [9] 8xDeflectors       | [18] 8xScrews M4x35           |
|                        | [19] 2xMagnetic Seals         |

# ◆ Installation Steps

## Step 1



## Step 2

