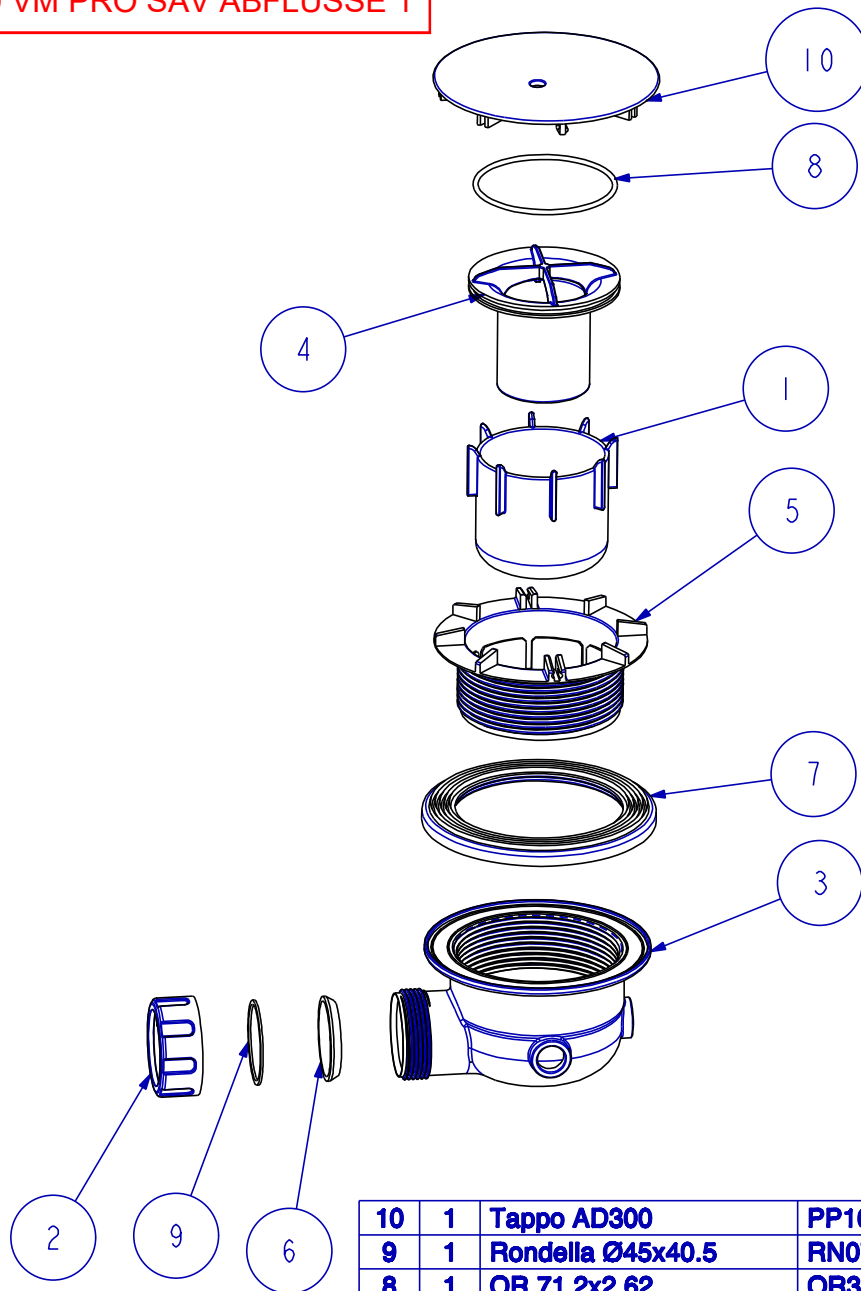


**130999 VM PRO SAV AFVOEREN 1**  
**130999 VM PRO SAV VIDANGES 1**  
**130999 VM PRO SAV ABFLÜSSE 1**



10	1	Tappo AD300	PP1637	ABS	43,243
9	1	Rondella Ø45x40.5	RN0710	PEHD	0,725
8	1	OR 71.2x2.62	OR3197	NBR 70 Sh°	1,500
7	1	Guarnizione piatta AC300	GU3260	PP-EPDM	34,301
6	1	Guarn. T.C. Ø43x38x6.5	GU1496	PP-EPDM	1,451
5	1	Ghiera AD300	PP3018	PPH	65,195
4	1	Filtro AD300	PP3049	PPH 71	32,998
3	1	Corpo piletta AC300	PP2690	PPH	95,626
2	1	Calotta 1 1/2"	CA3415	PPH	11,401
1	1	Bicchiera AD300	PP3343	PPH	41,242