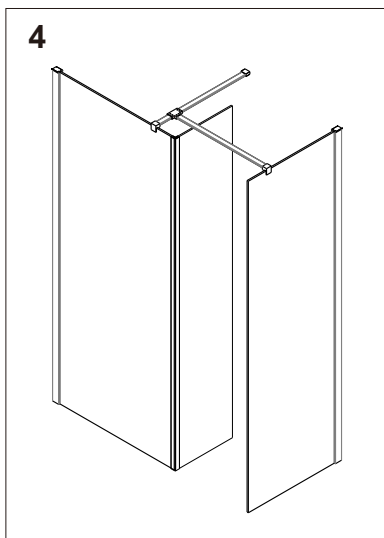
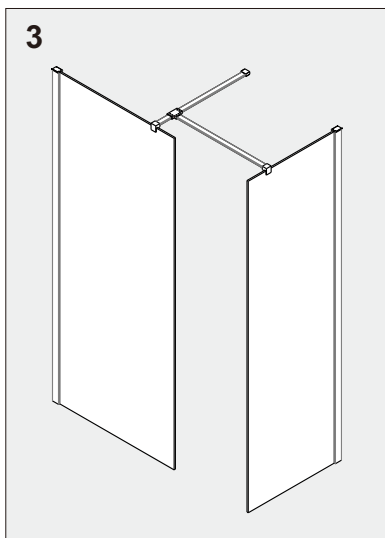
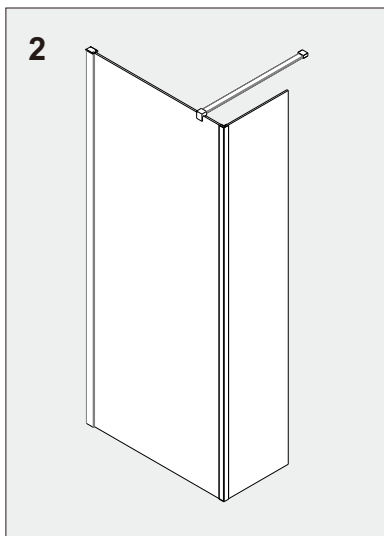
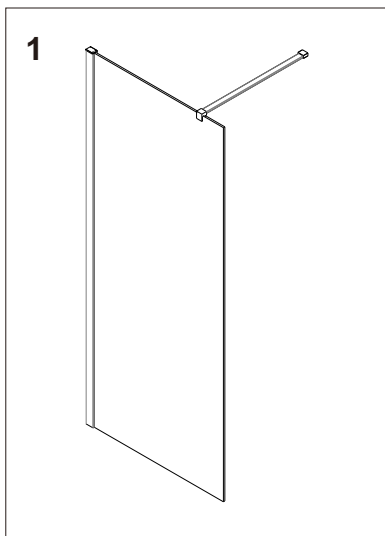


INSTALLATION INSTRUCTIONS





GENERAL INFORMATION

Please inspect the product immediately upon receipt for transit damage, missing packs/parts or manufacturing fault. Damage reported later cannot be accepted. Please handle the product with care avoiding knocks and shock loading to all sides and edges of the glass.

NOTES: Safety glass can not be re-worked

Please read these instructions carefully before start of installation.

Special care should be taken when drilling walls to avoid hidden pipes or electrical cables.

Note: This product is heavy and may require two people to install.

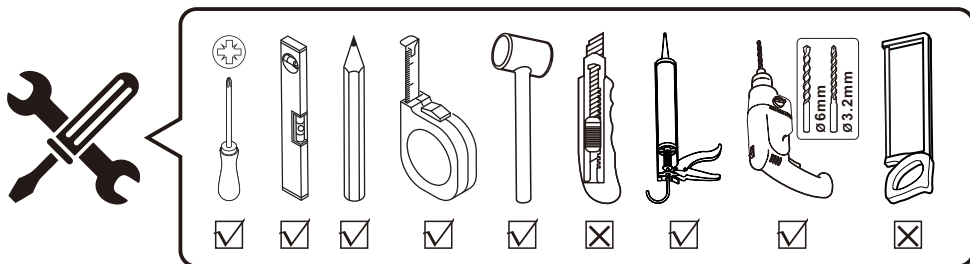
AFTERCARE INSTRUCTIONS

After use, your shower should be cleaned with soap and water. This is particularly important in hard water districts where insoluble lime salts may be deposited and allowed to build up.

Cleaners of a gritty or abrasive nature should not be used. Care should be taken to avoid contact with strong chemicals such as organic solvents and strippers.

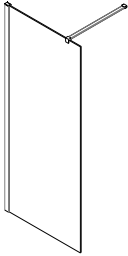
Class cleaners can be used but with caution, if in doubt contact the manufacturer of the cleaner in question.

Please keep these instructions for aftercare and customer service details.





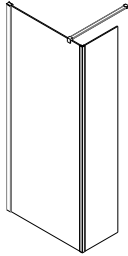
1



Box -1
+ Box -2

PAGE
04-09

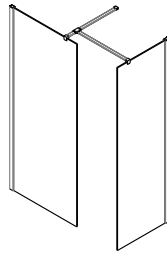
2



Box -1 x2
+ Box -2
+ Box -3

PAGE
10-13

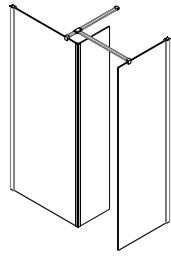
3



Box -1 x2
+ Box -2 x2
+ Box -4

PAGE
14-17

4



Box -1 x3
+ Box -2 x2
+ Box -3
+ Box -4

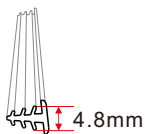
PAGE
18-21



Box -1



[01] x1

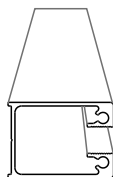


*[02] x1

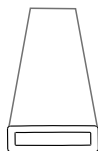
*For Fluted glass only



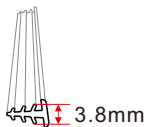
Box -2



[03] x1



[04] x1



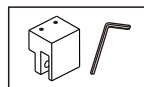
[05] x1



[06] x1



[07] x1

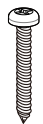


[08] x1



ST4x16

[09] x4 [10] x2



ST4x30

[11] x4



Box -3



[12] x1

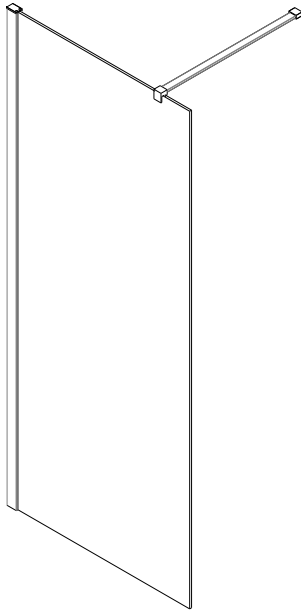


Box -4

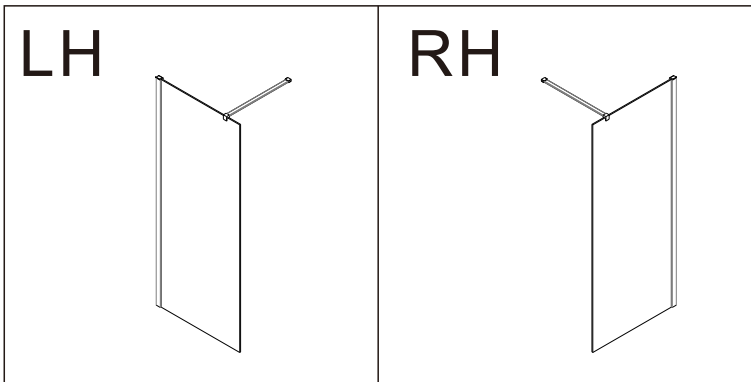


[13] x1

1

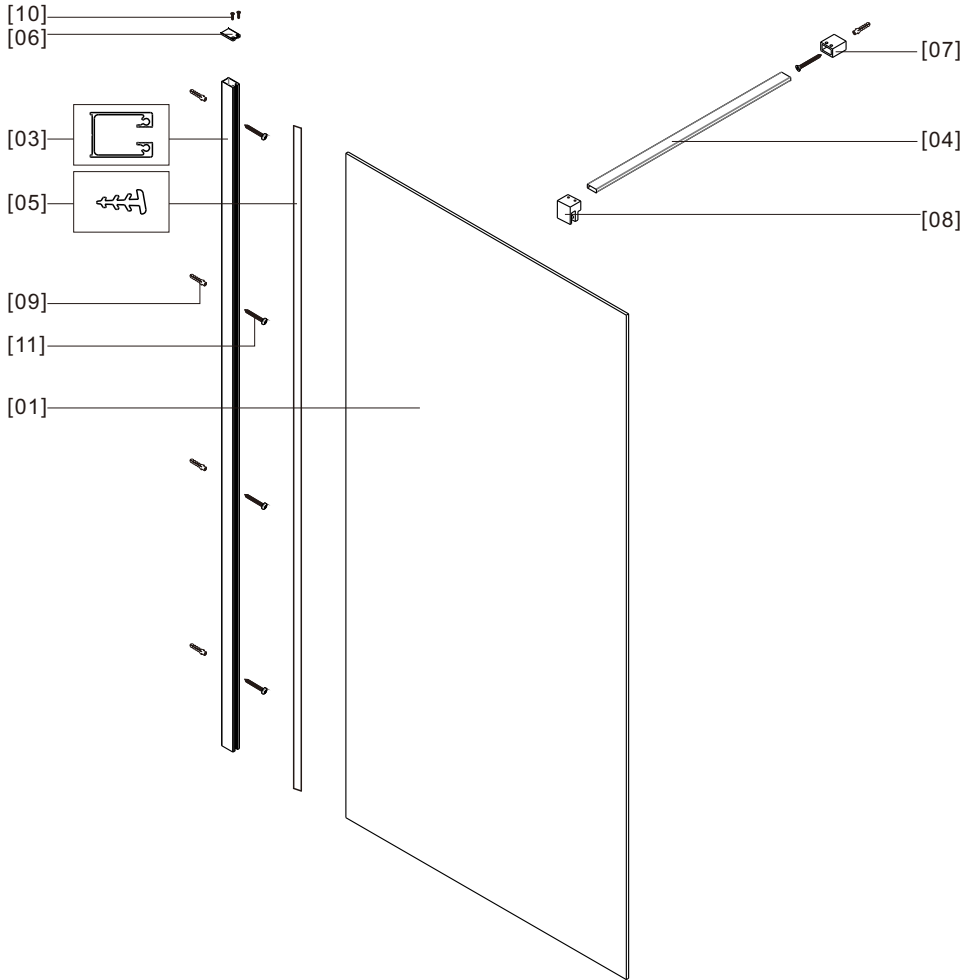


Box -1 + Box -2





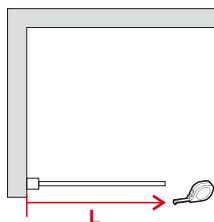
Box -1 + Box -2



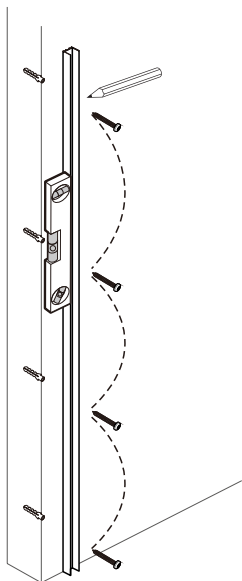
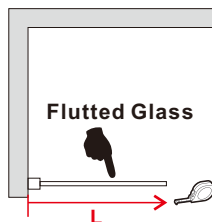


01

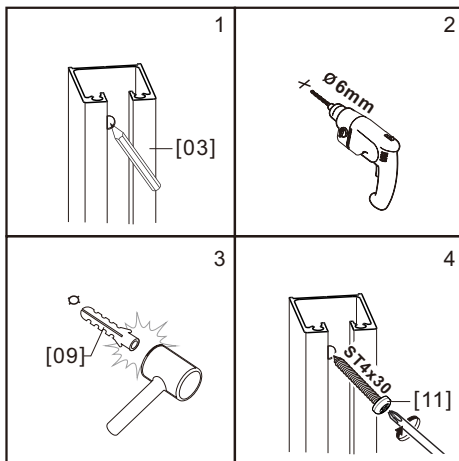
Size (mm)	L	
	Min.	Max.
300	263	288
400	363	388
500	463	488
600	563	588
700	663	688
800	763	788
900	863	888
1000	963	988
1200	1163	1188
1400	1363	1388
1600	1563	1588
1800	1763	1788



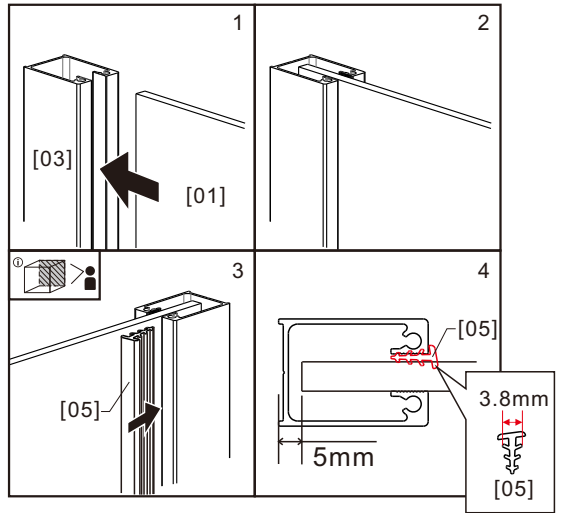
Size (mm)	L		
	Possibilités (mm)		
300	265	270	275
400	365	370	375
500	465	470	475
600	565	570	575
700	665	670	675
800	765	770	775
900	865	870	875
1000	965	975	975
1200	1165	1170	1175
1400	1365	1370	1375
1600	1565	1570	1575
1800	1765	1770	1775



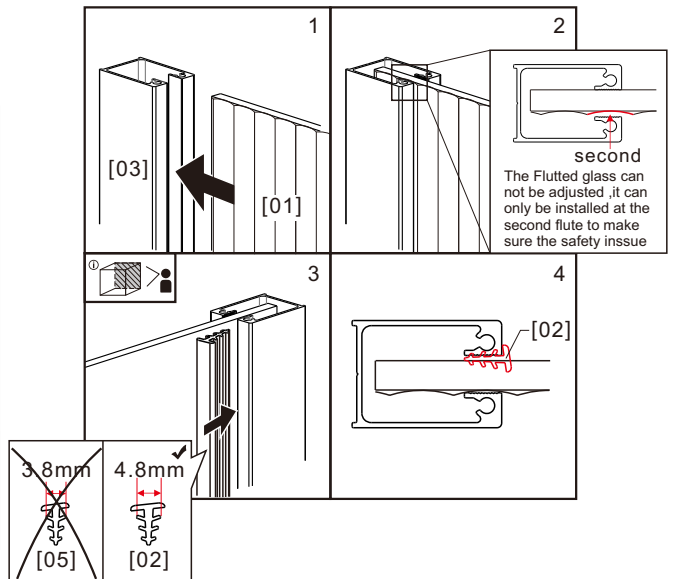
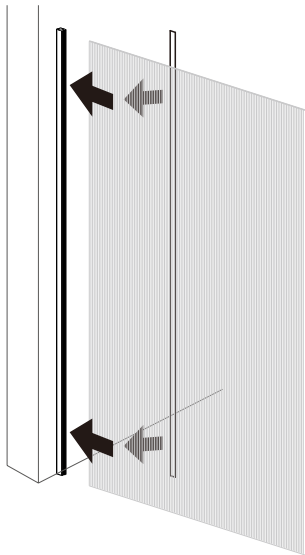
4x



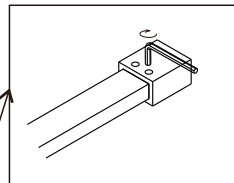
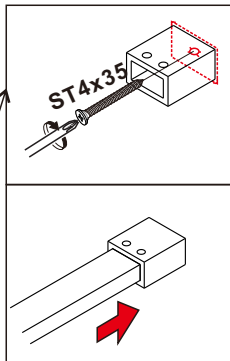
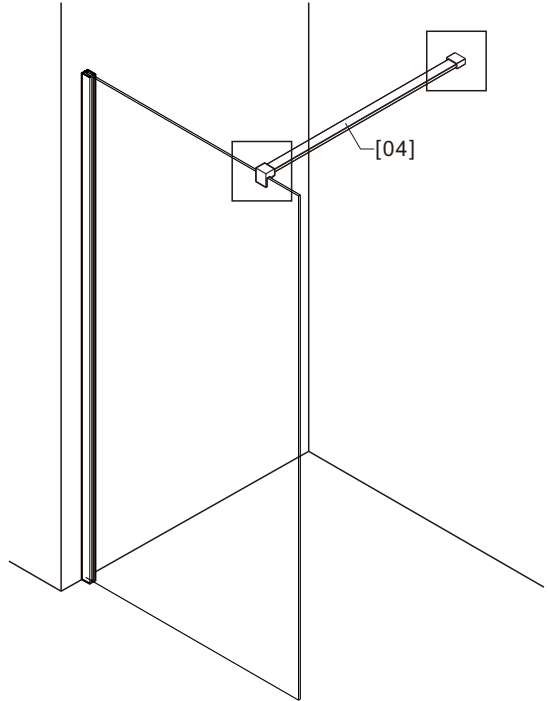
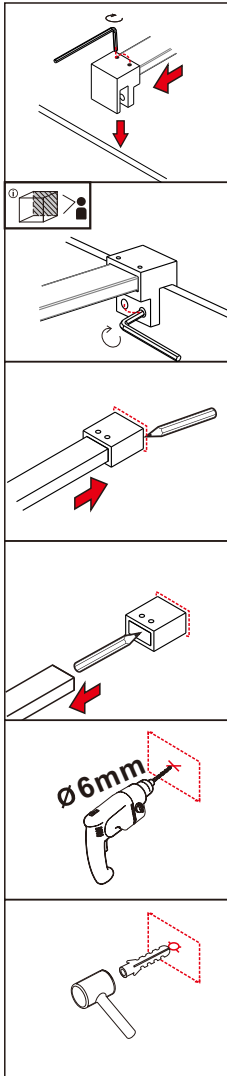
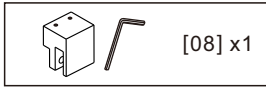
02



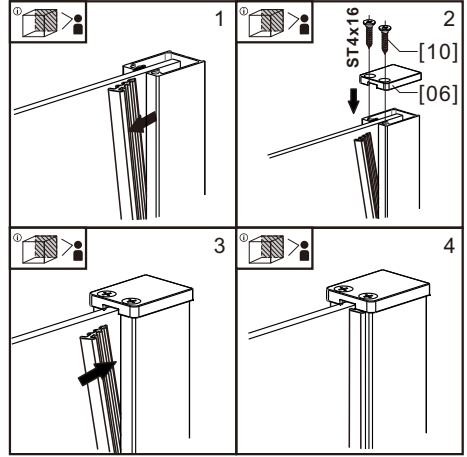
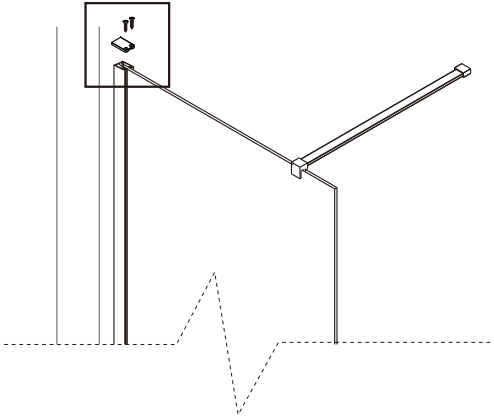
! For Fluted glass ,pls refer to the steps stated below :



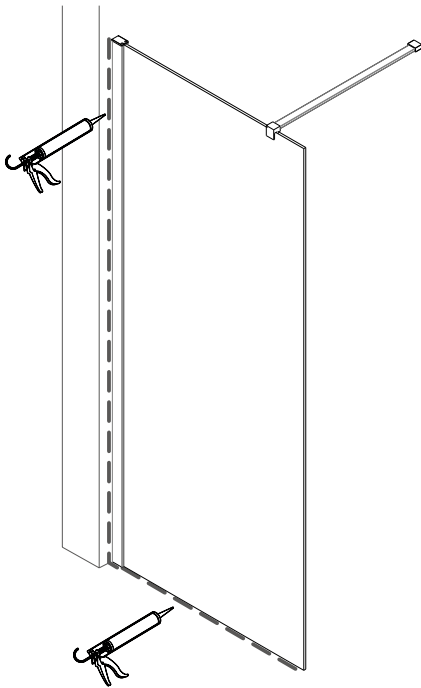
03



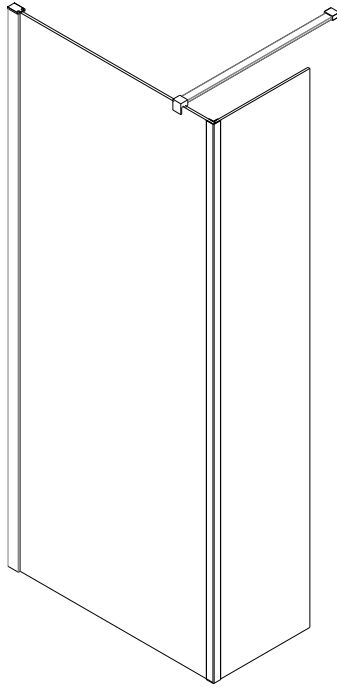
04



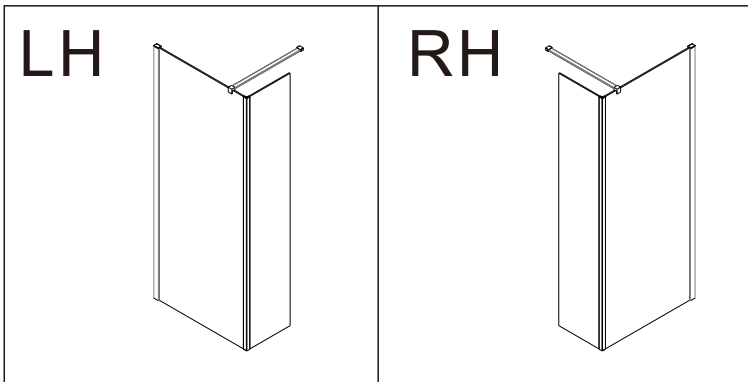
05



2

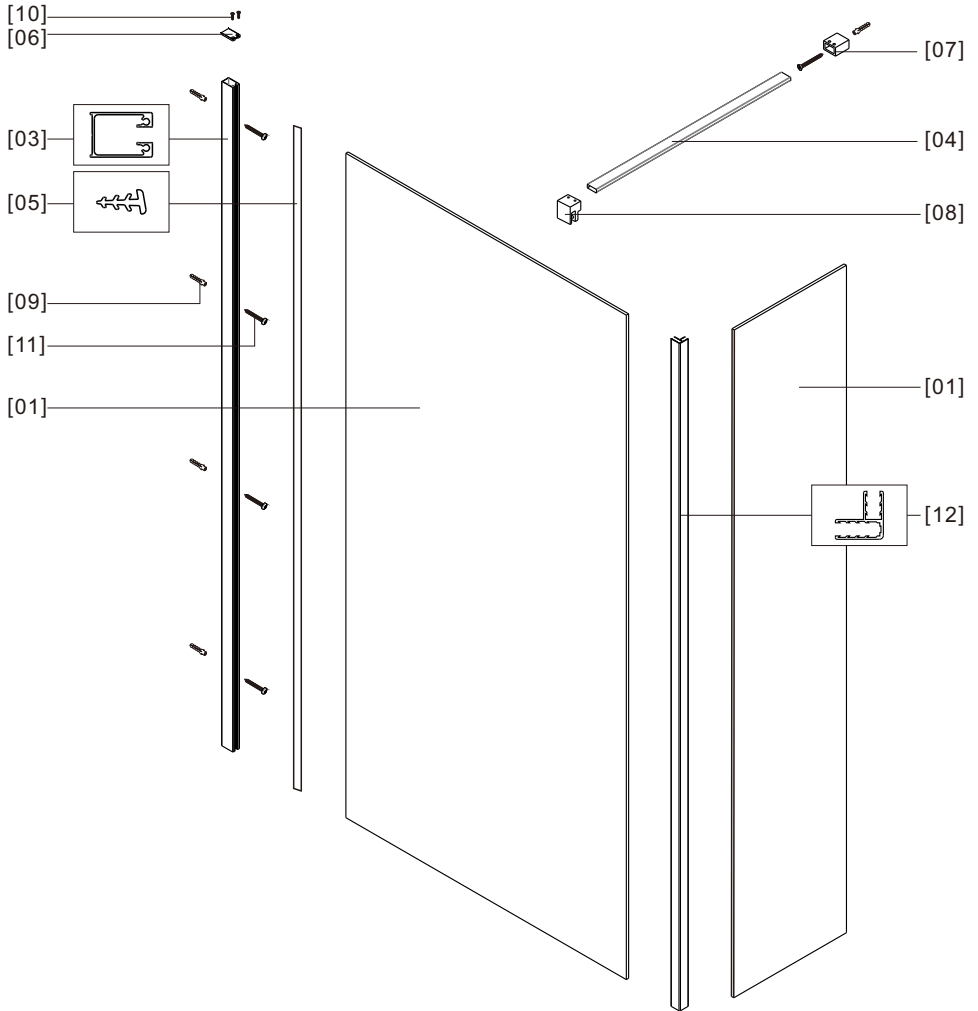


Box -1 x2 + Box -2 + Box -3



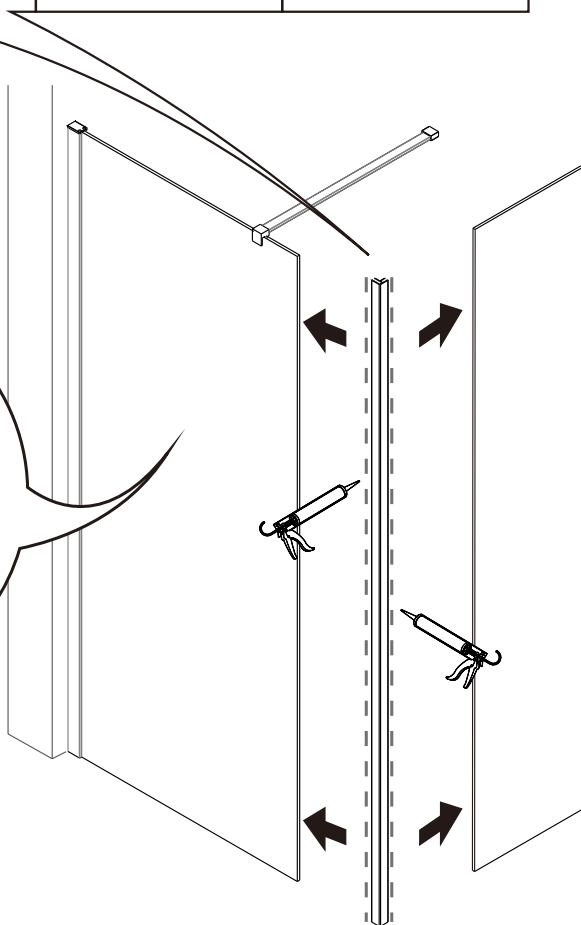
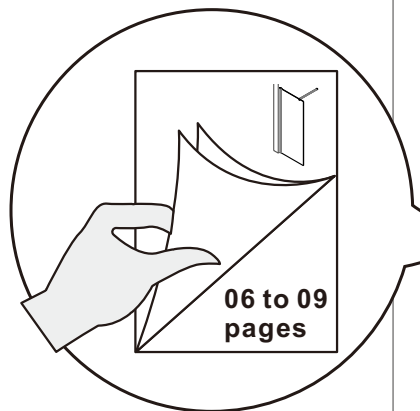
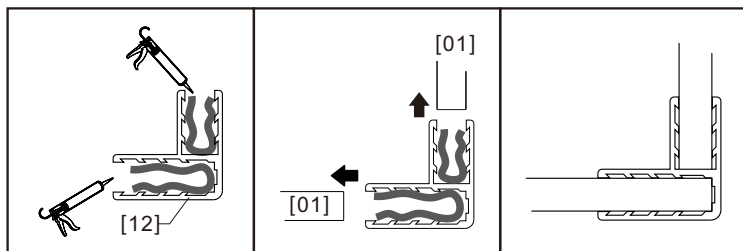


Box -1 x2 + Box -2 + Box -3

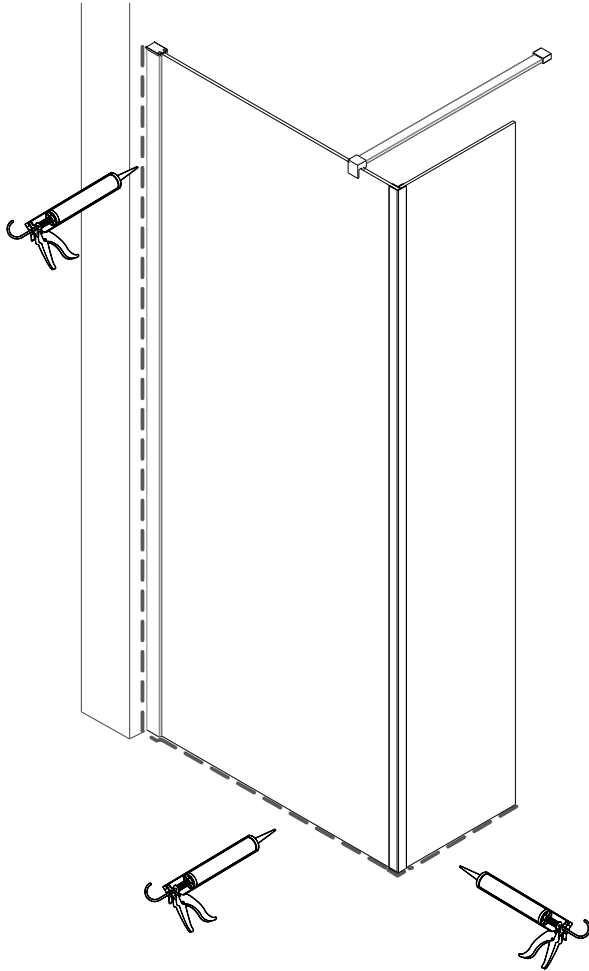




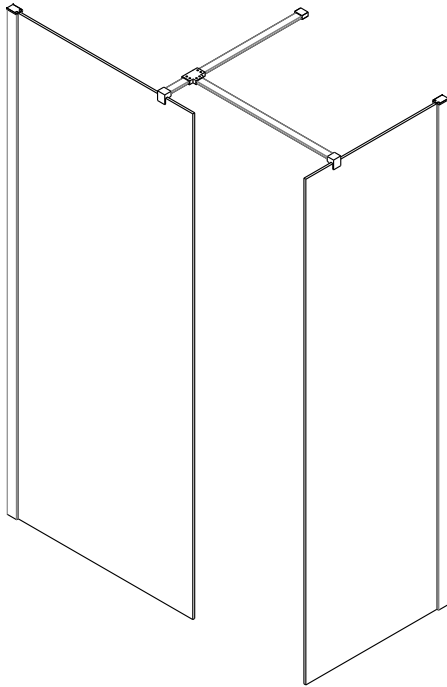
01



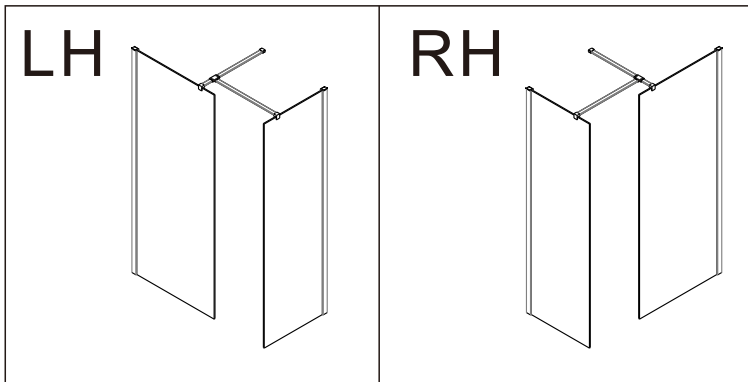
02



3

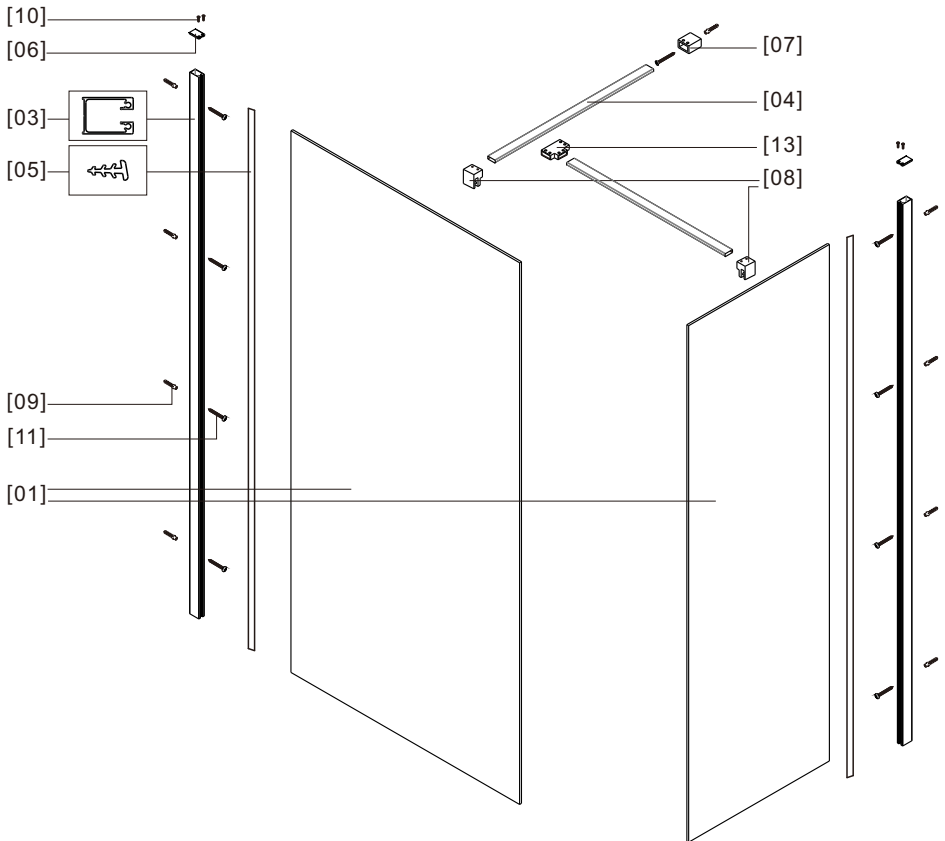


Box -1 x2 + Box -2 x2 + Box -4



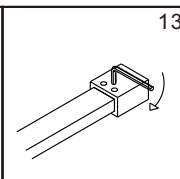
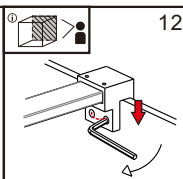
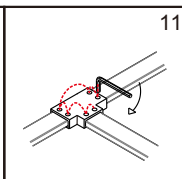
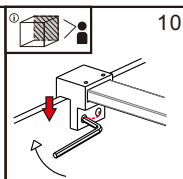
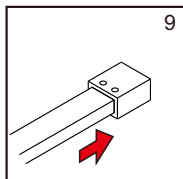
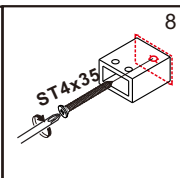
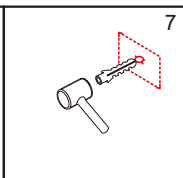
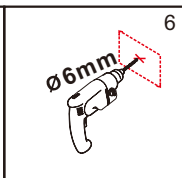
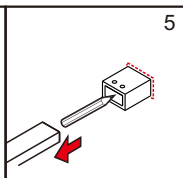
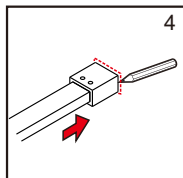
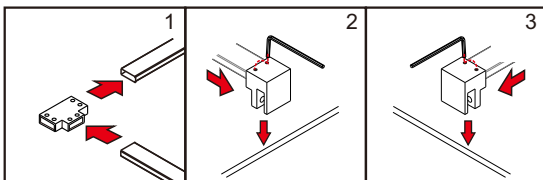
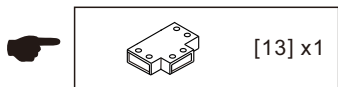
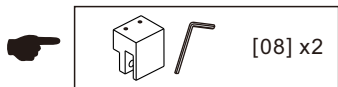
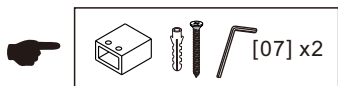
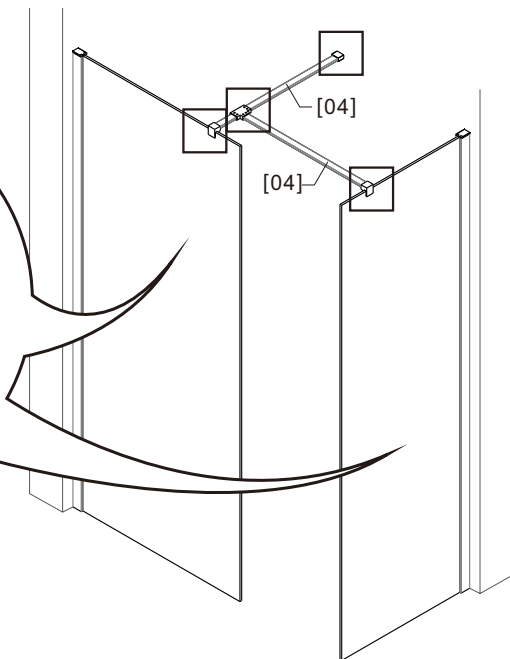
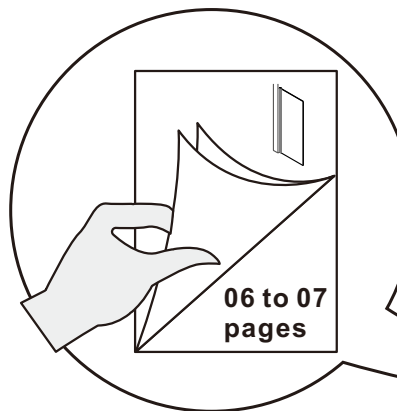


Box -1 x2 + Box -2 x2 + Box -4

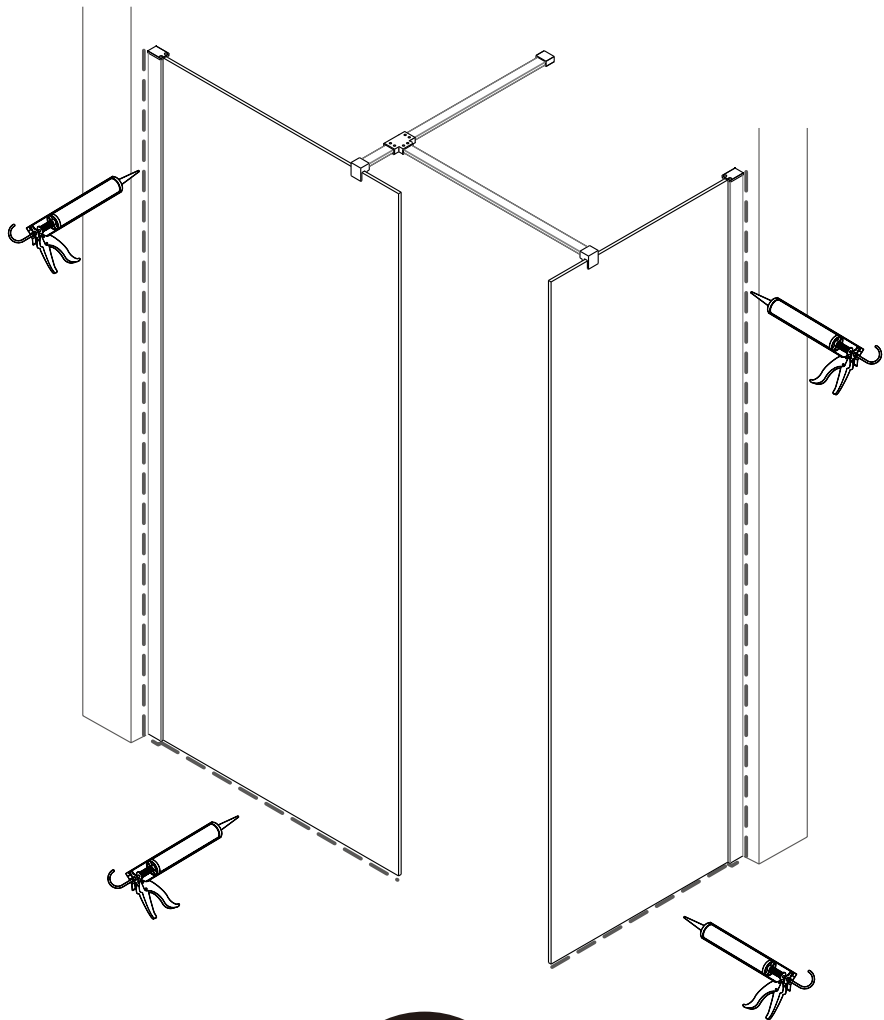




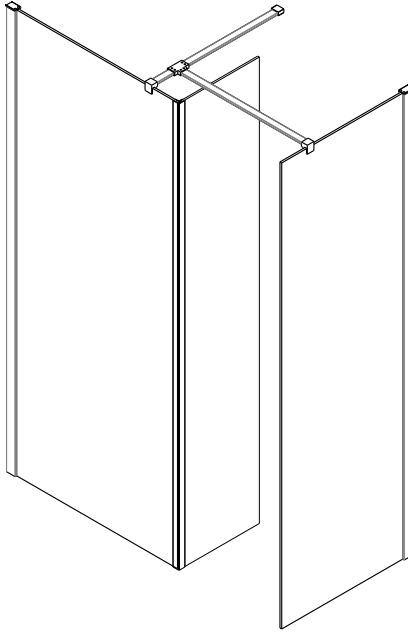
01



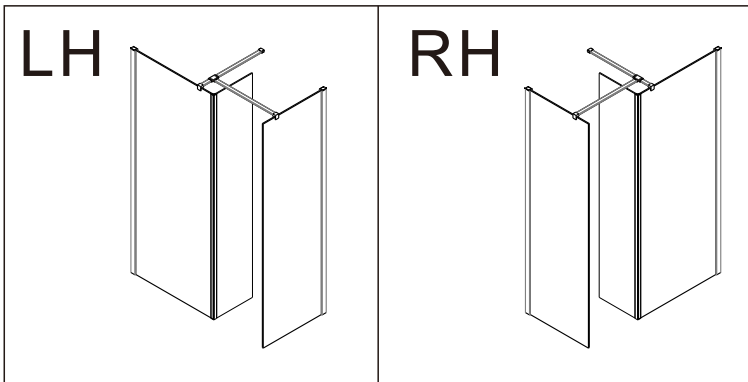
02



4

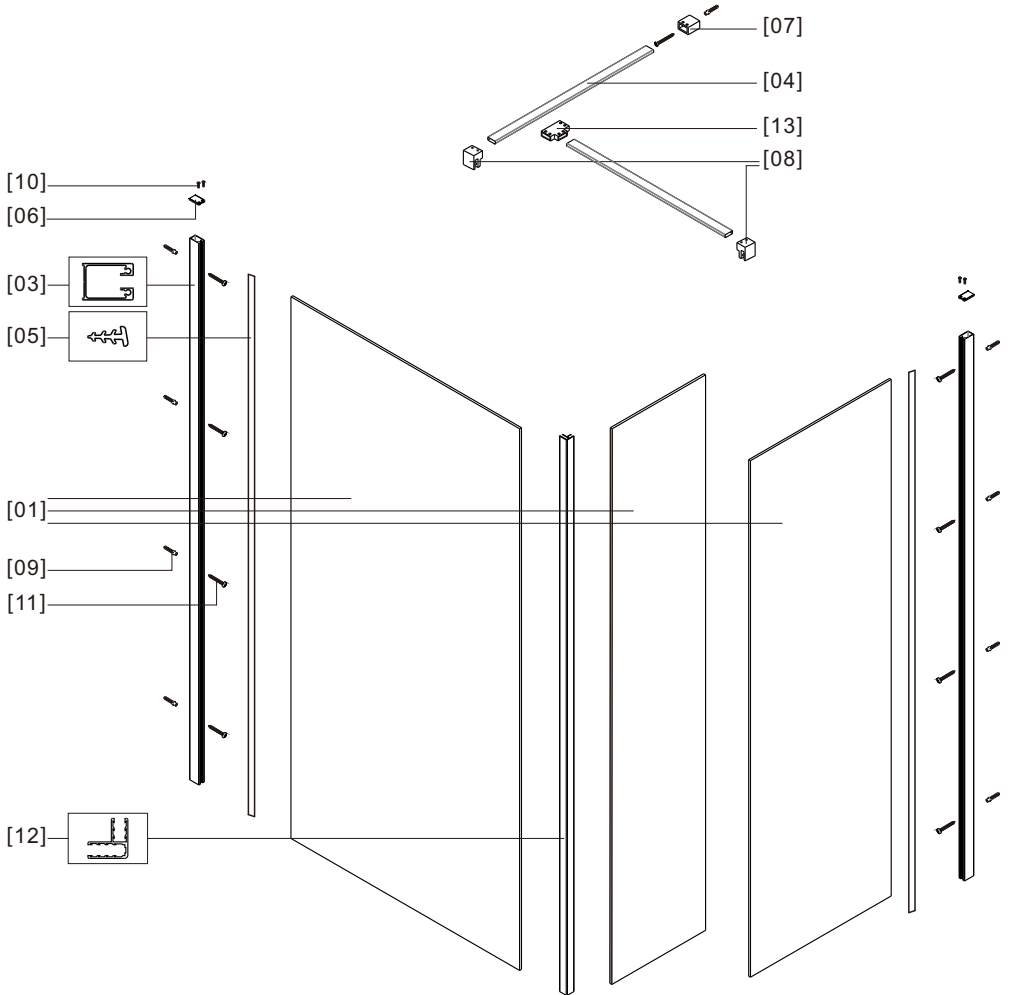


**Box -1 x3 + Box -2 x2 + Box -3
+ Box -4**



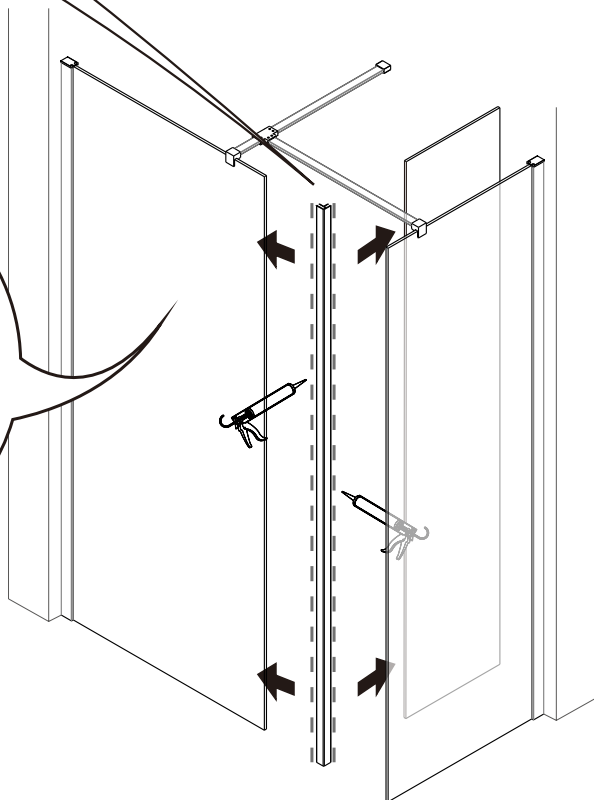
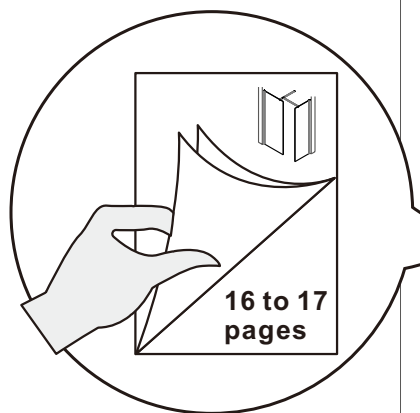
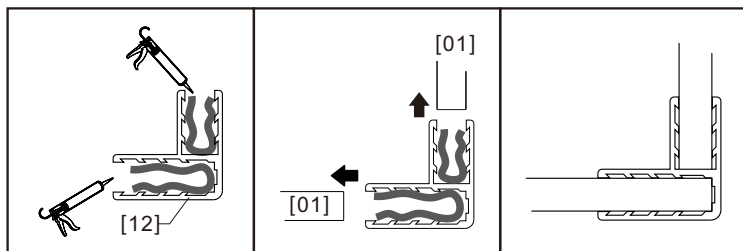


Box -1 x3 + Box -2 x2 + Box -3 + Box -4





01



02

