

fortifura



GENERAL INFORMATION

Please inspect the product immediately upon receipt for transit damage, missing packs/parts or manufacturing fault. Damage reported later cannot be accepted. Please handle the product with care avoiding knocks and shock loading to all sides and edges of the glass.

NOTES: Safety glass can not be re-worked

Please read these instructions carefully before start of installation.

Special care should be taken when drilling walls to avoid hidden pipes or electrical cables.

Note: This product is heavy and may require two people to install.

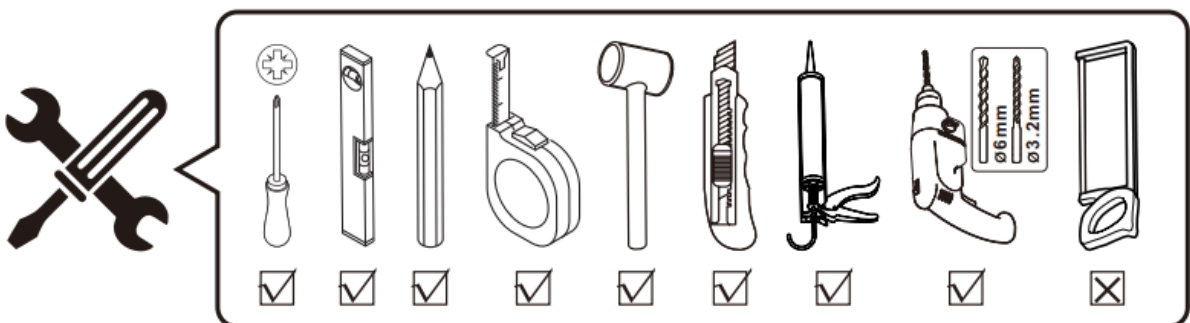
AFTERCARE INSTRUCTIONS

After use, your shower should be cleaned with soap and water. This is particularly important in hard water districts where insoluble lime salts may be deposited and allowed to build up.

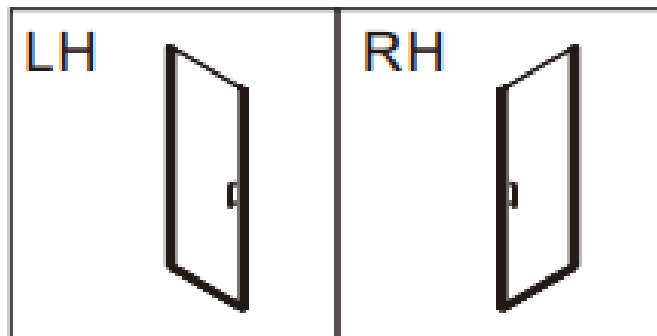
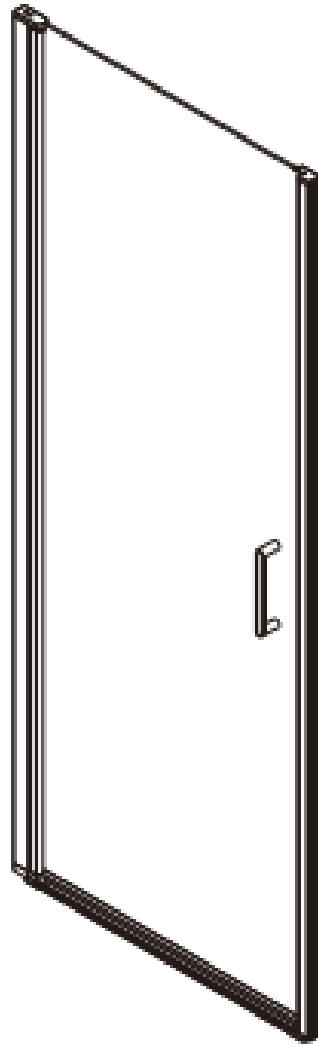
Cleaners of a gritty or abrasive nature should not be used. Care should be taken to avoid contact with strong chemicals such as organic solvents and strippers.

Class cleaners can be used but with caution, if in doubt contact the manufacturer of the cleaner in question.

Please keep these instructions for aftercare and customer service details.



fortifura



fortifura



Box -1



[01] x2



[02] x1



[03] x1



[04] x1



[05] x1



[06] x1



[07] x1



[08A] x1



[08B] x1



[09] x2



[10A] x1



[10B] x1



[11] x8



[12] x8



[13] x8



[14] x8



[15] x1

Additional hardwares



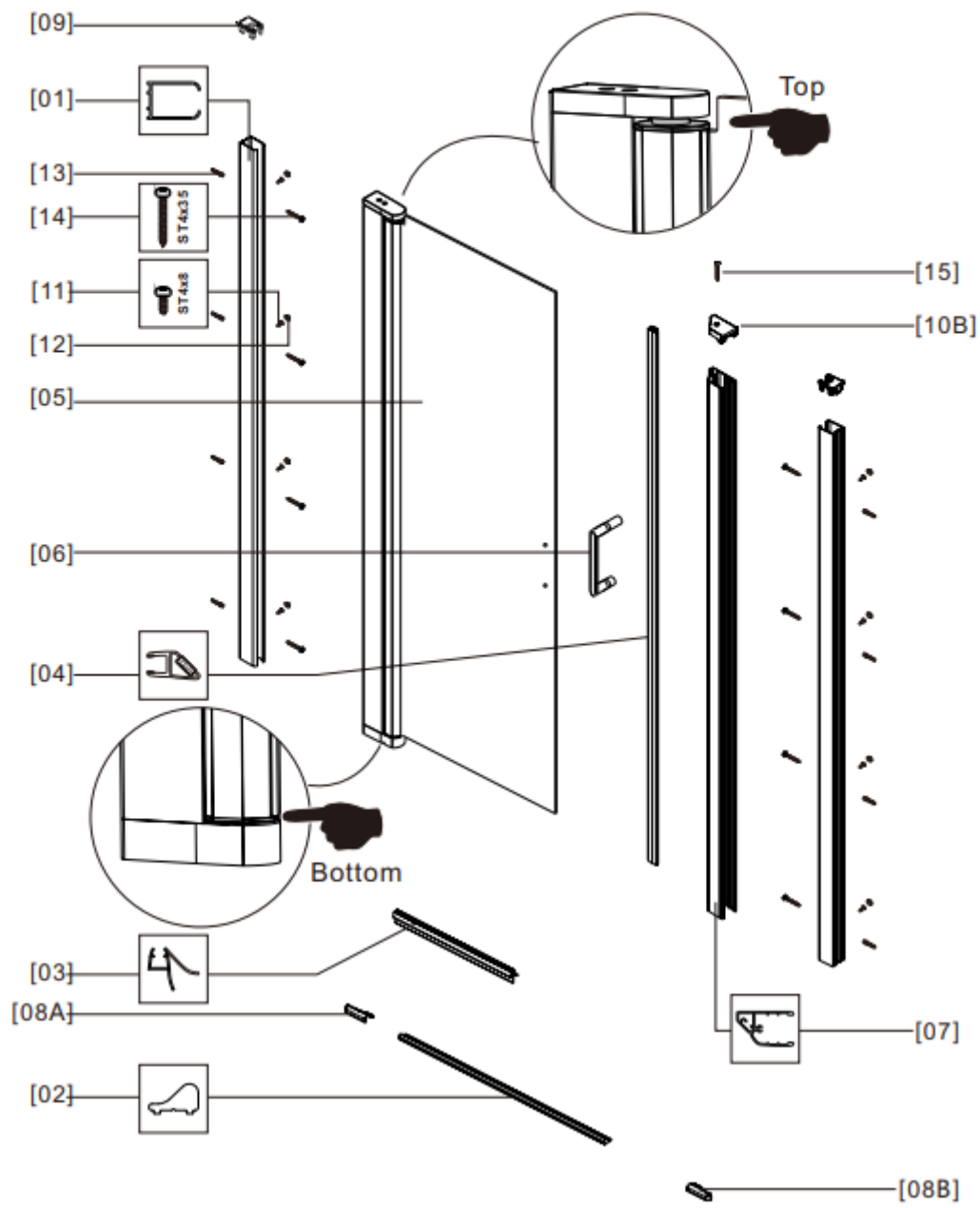
[16] x1



[17A] x1



[17B] x1

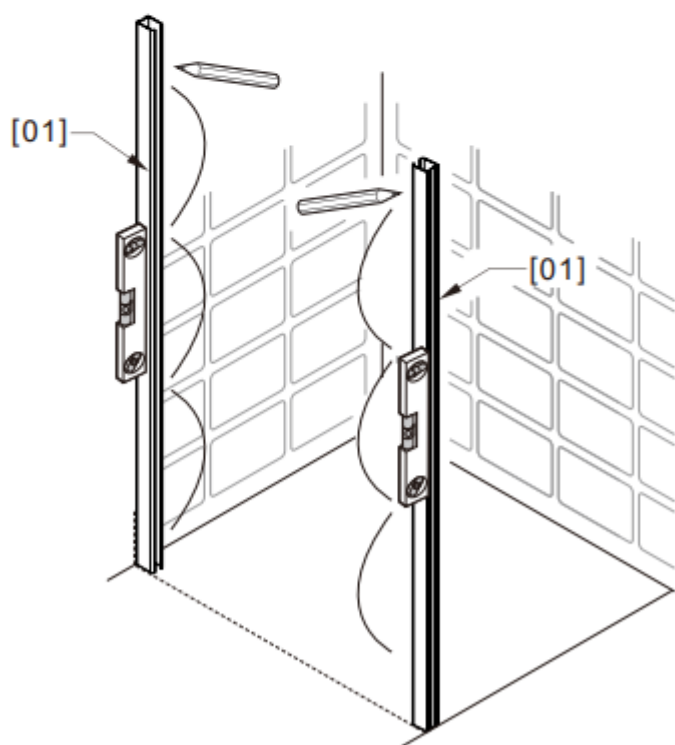
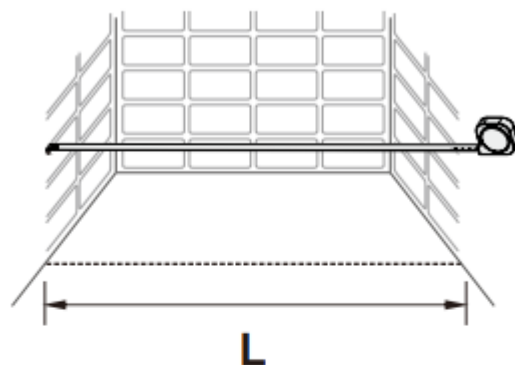


fortifura

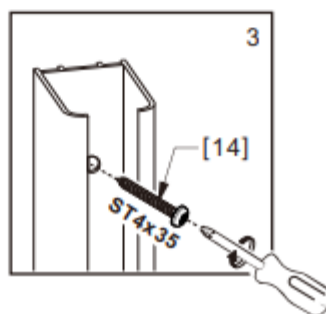
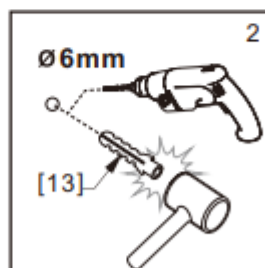
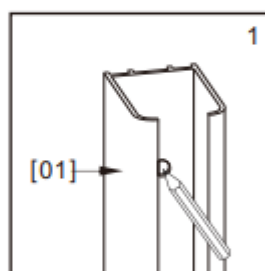


01

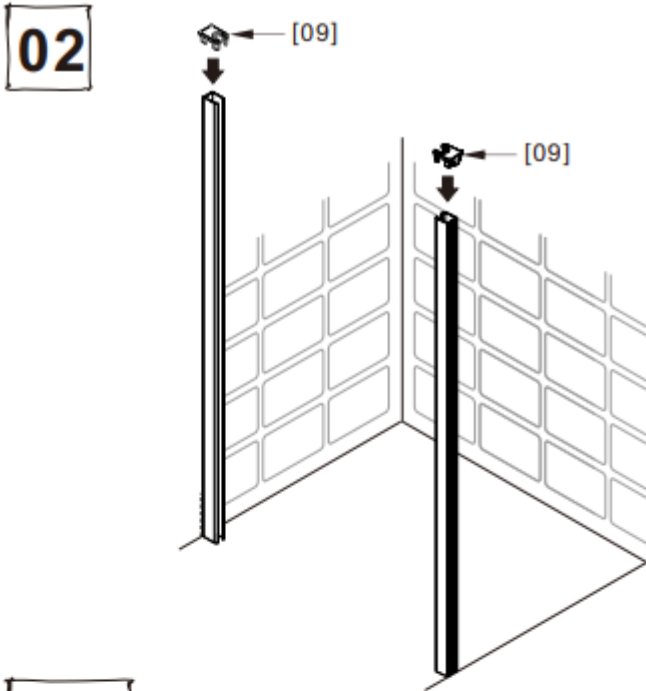
Size (mm)	L	
	Min.	Max.
600	577	617
700	677	717
800	777	817
900	877	917
1000	977	1017



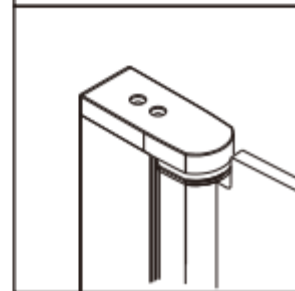
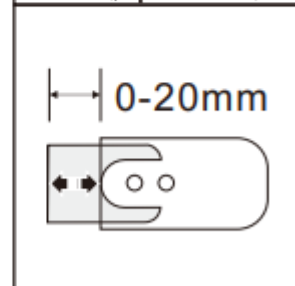
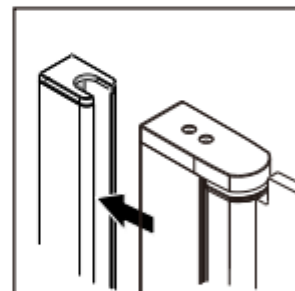
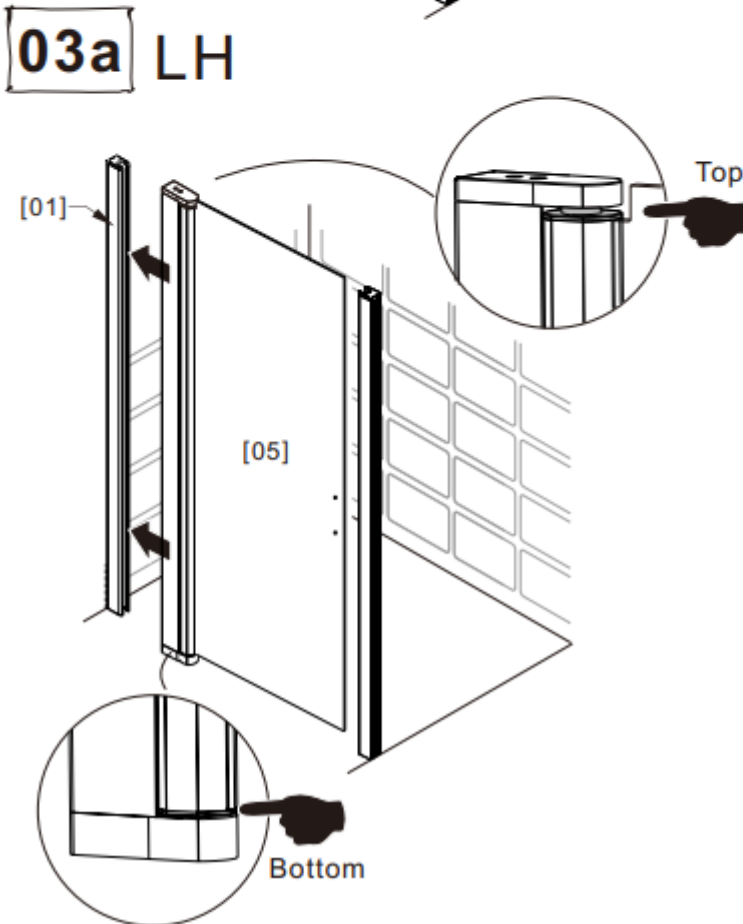
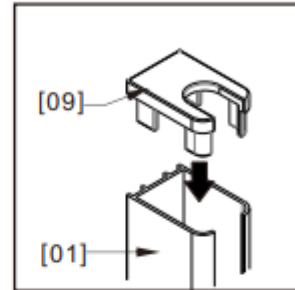
8x



fortifura

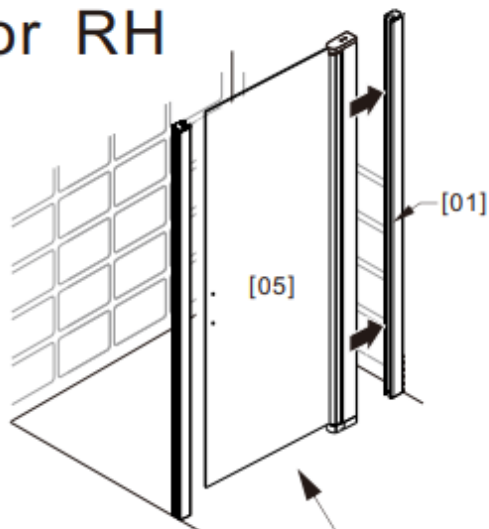


2x

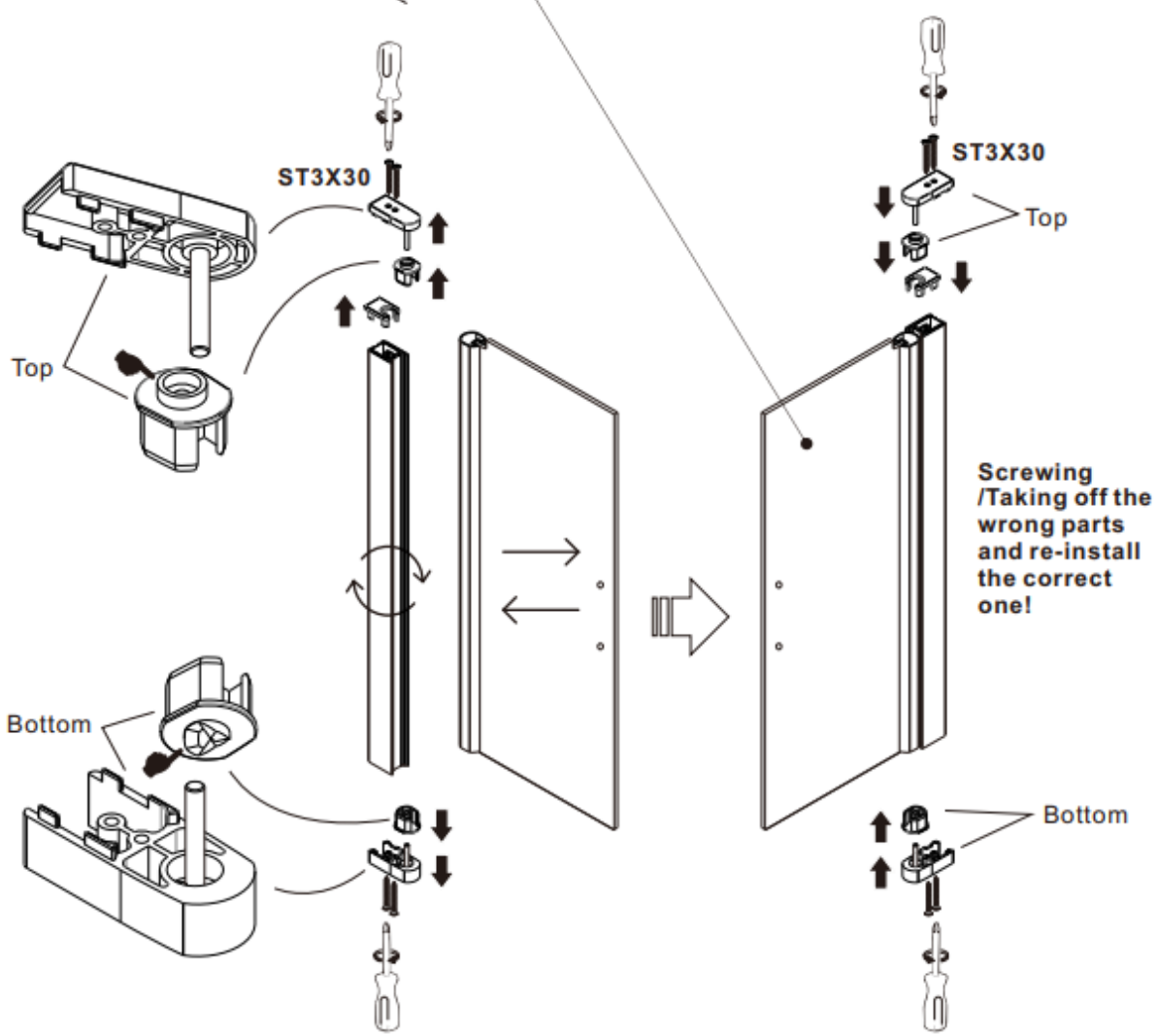


fortifura

03b or RH

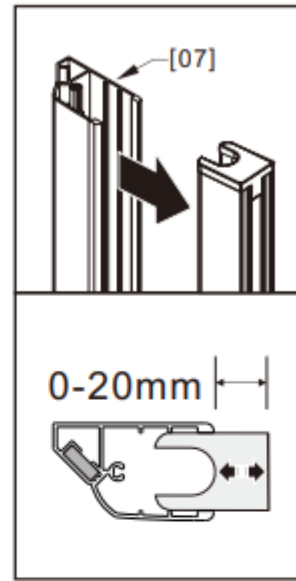
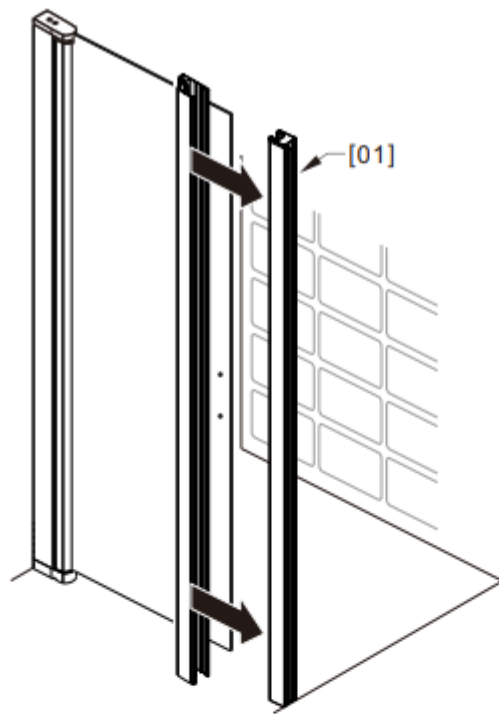


**Please note:
Screw holes
must be on the
inside of the
shower door**

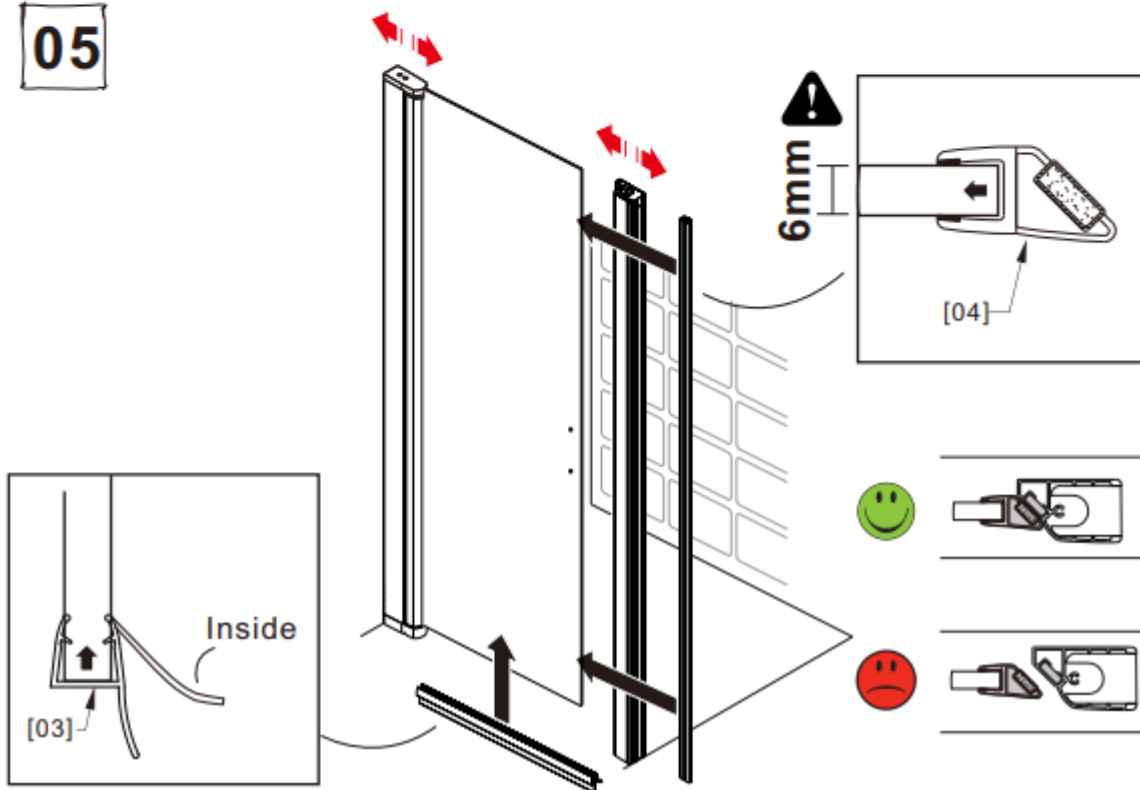


fortifura

04

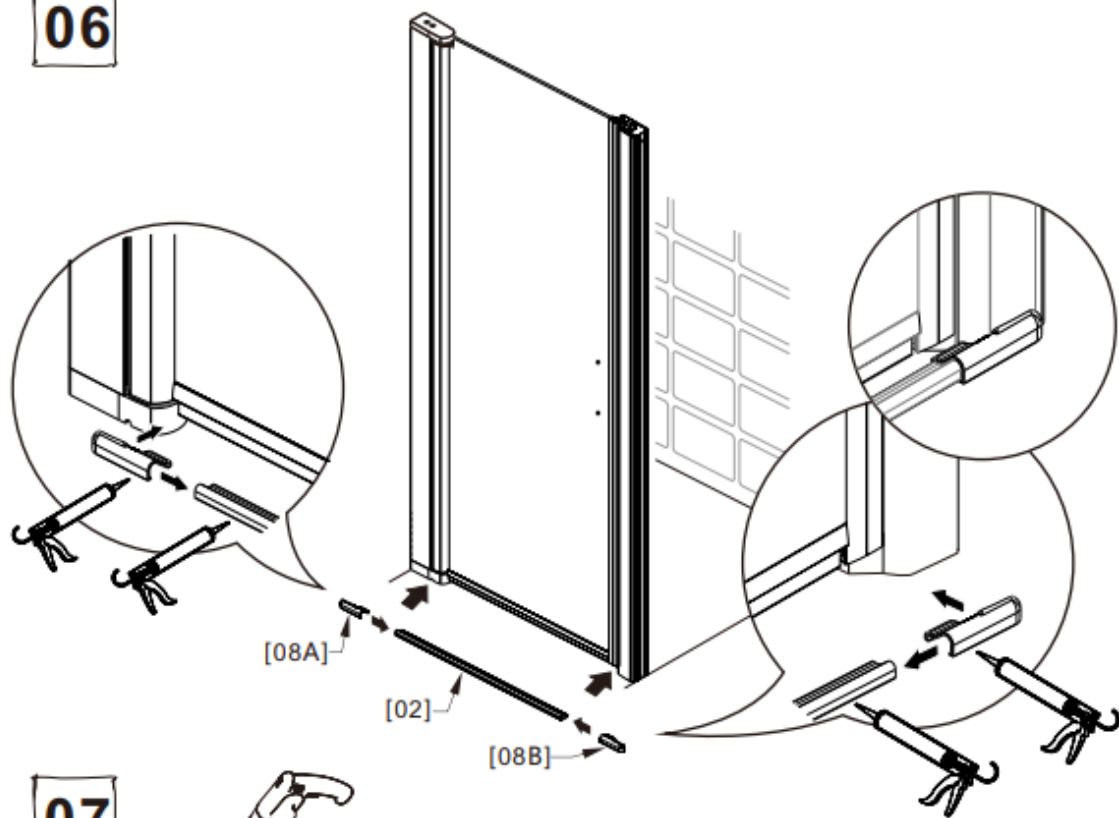


05

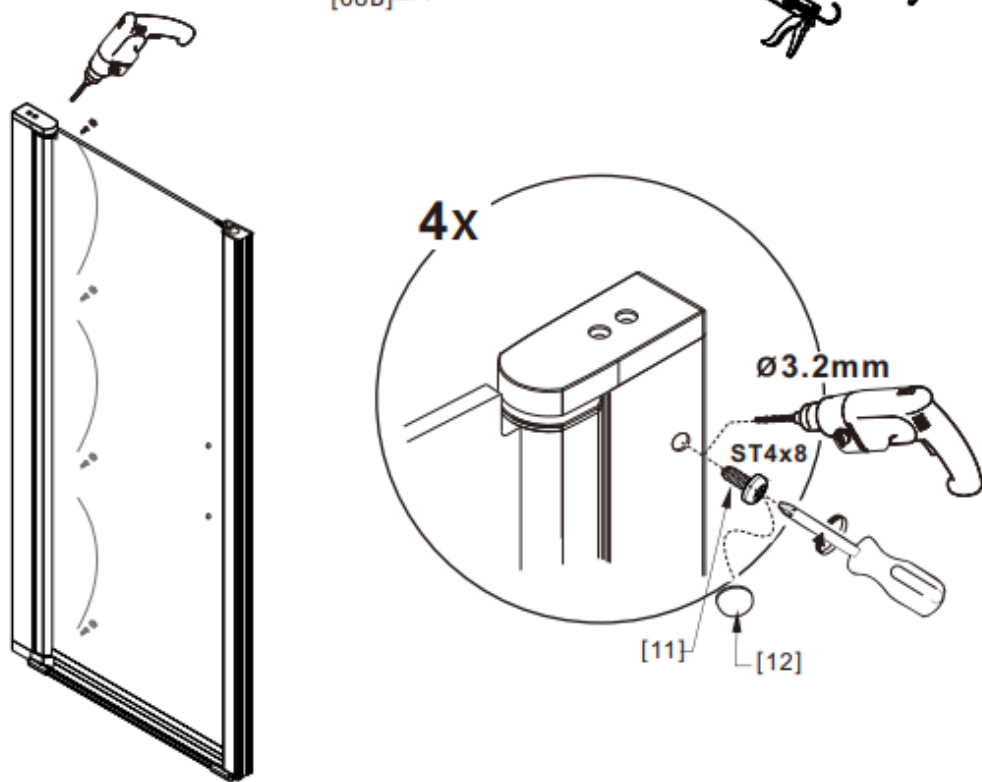


fortifura

06

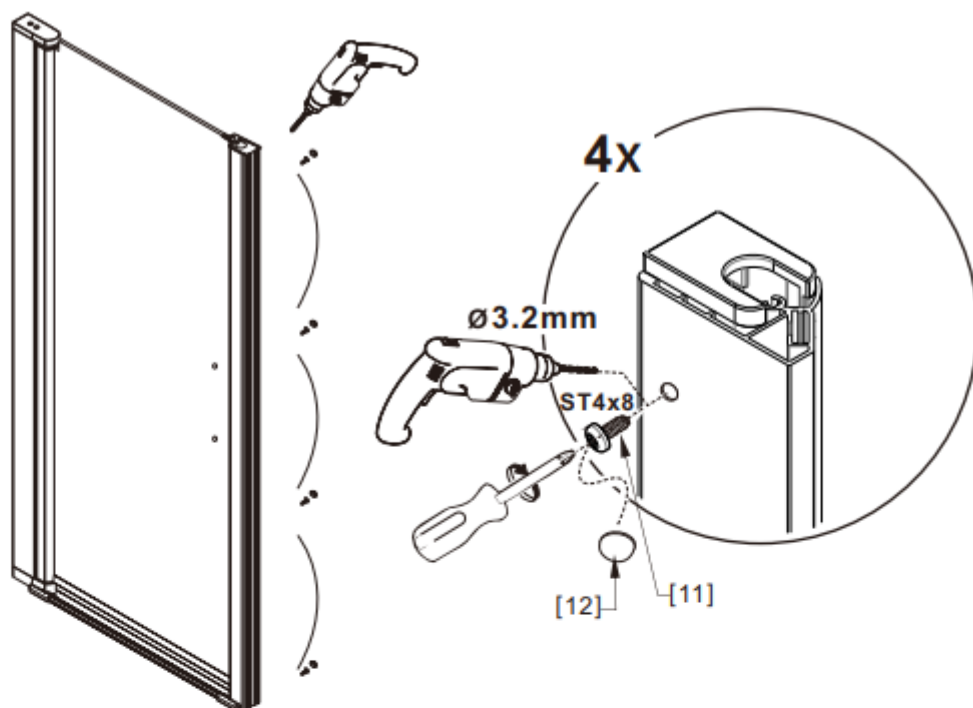


07

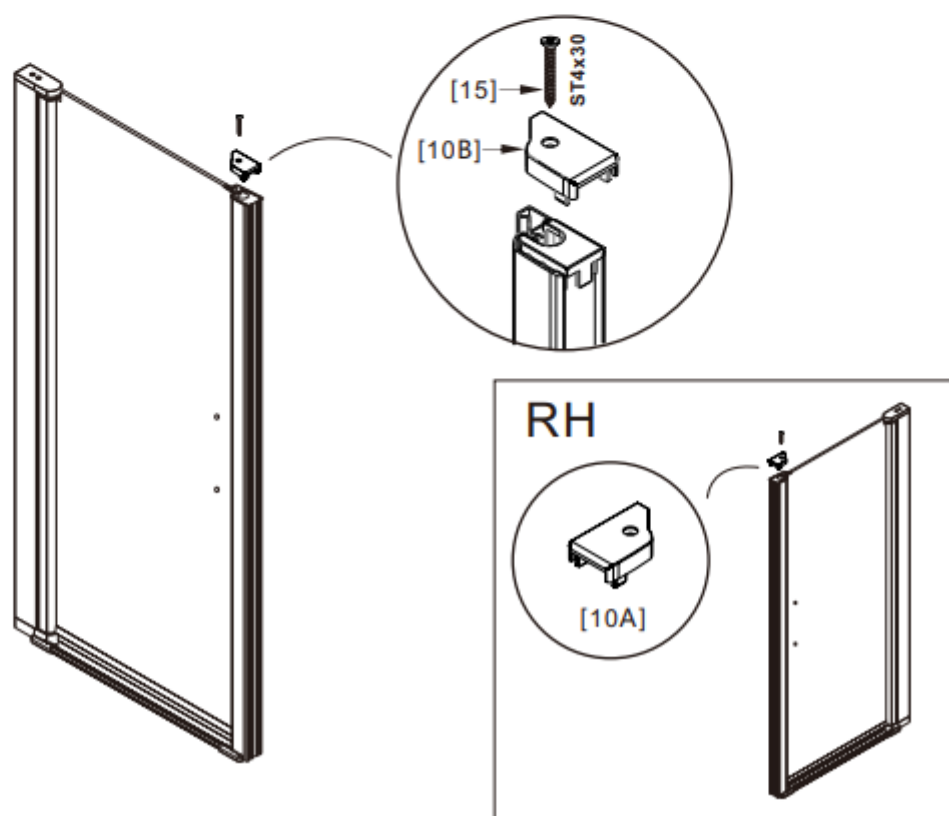


fortifura

08

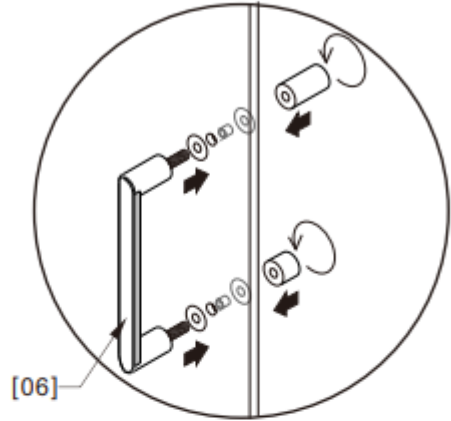
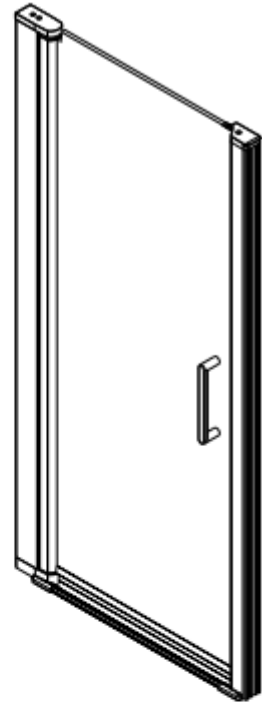


09

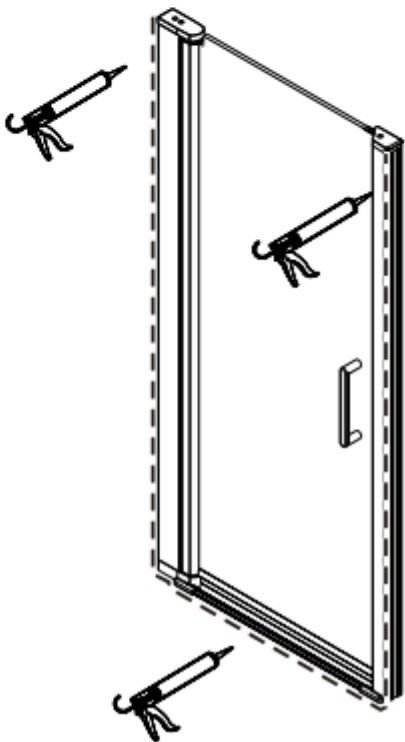


fortifura

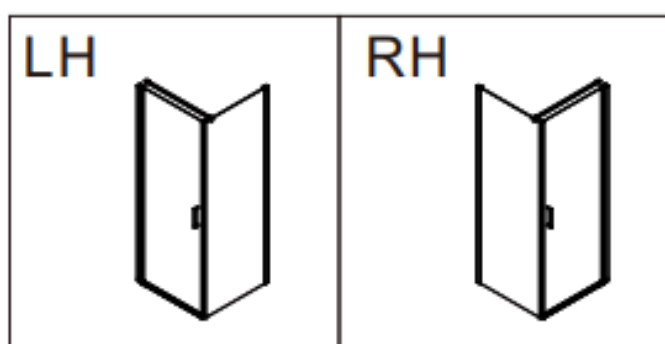
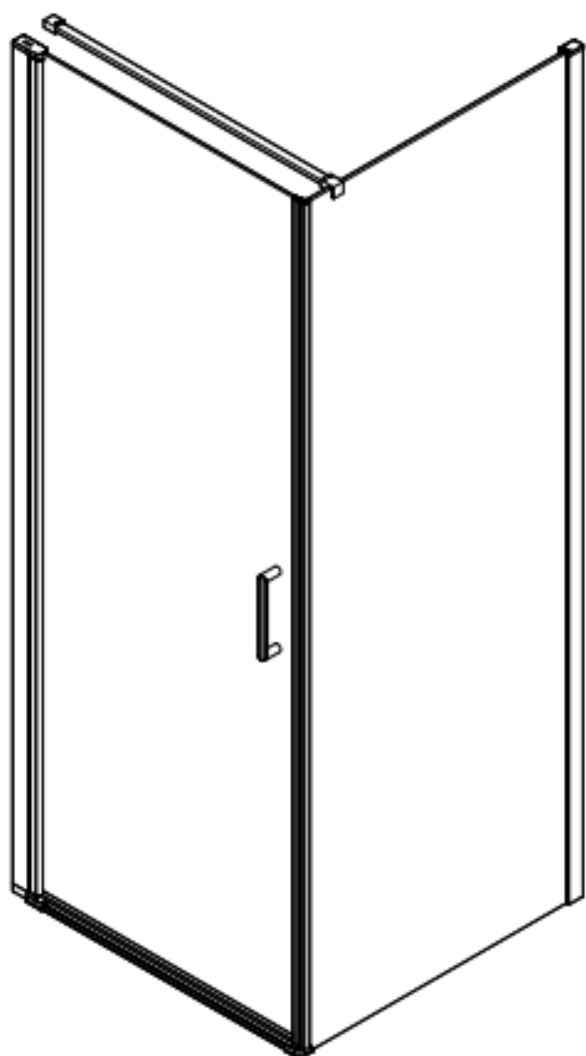
10



11



fortifura



fortifura



Box -1



[01] x2



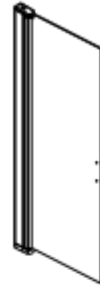
[02] x1



[03] x1



[04] x1



[05] x1



[06] x1



[07] x1



[08A] x1



[08B] x1



[09] x2



[10A] x1



[10B] x1



[11] x8



[12] x8



[13] x8



[14] x8



[15] x1

Additional hardwares



[16] x1



[17A] x1



[17B] x1



Box -2



[18] x1



[19] x1



[20] x1



[21] x1



[22] x1



[23] x1



[24] x4



ST4x16

[25] x2



[26] x4

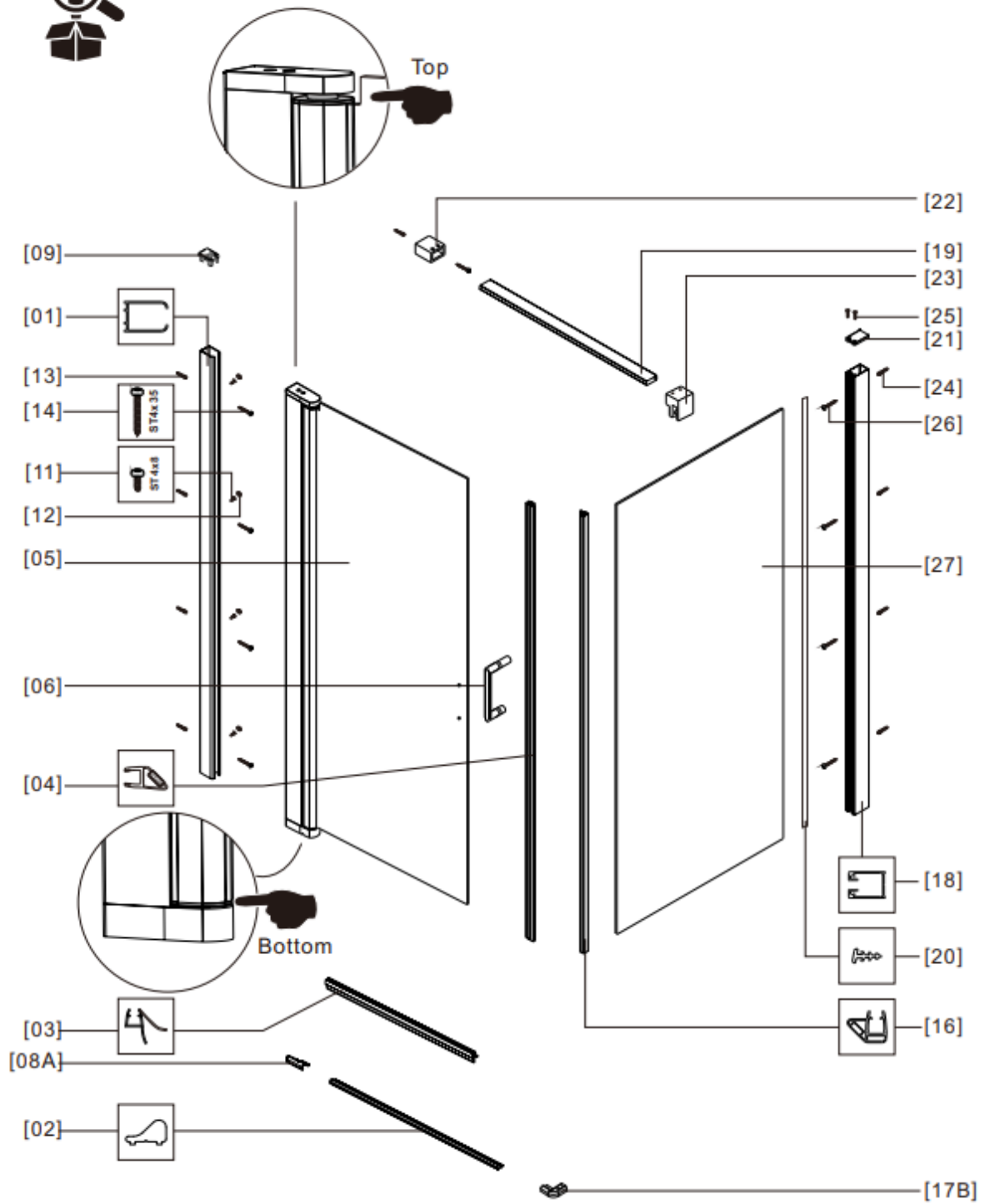
ST4x30



Box -3



[27] x1



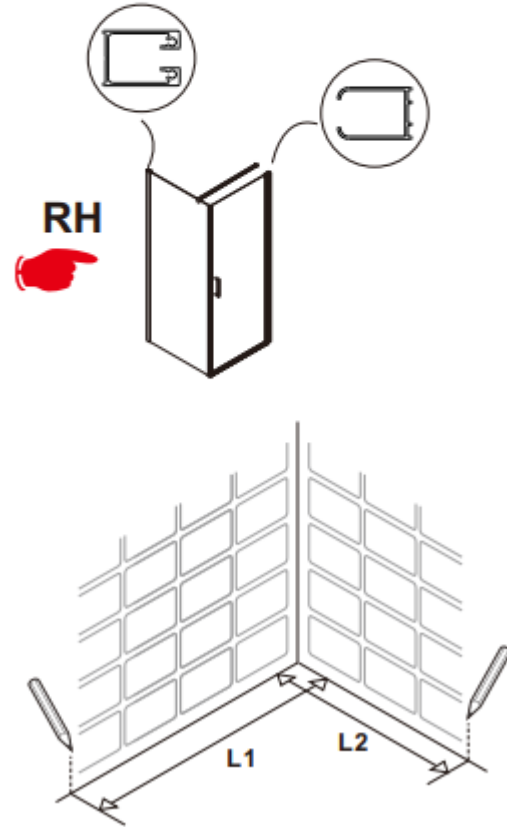
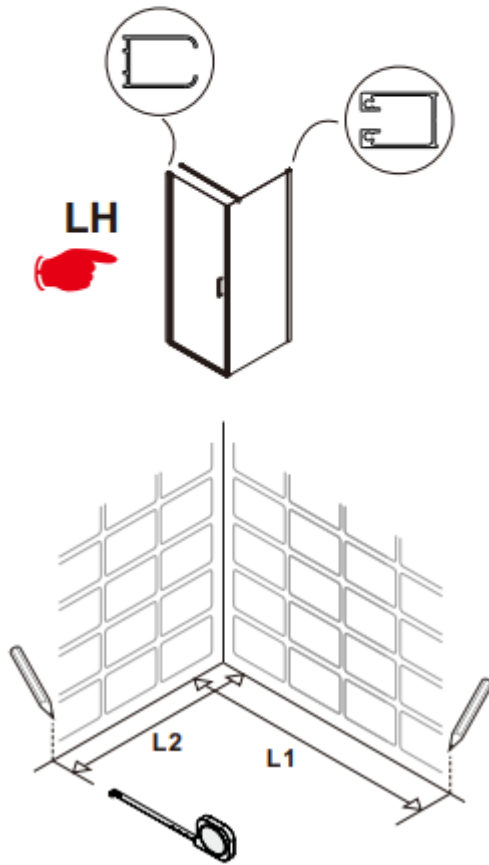
fortifura



01

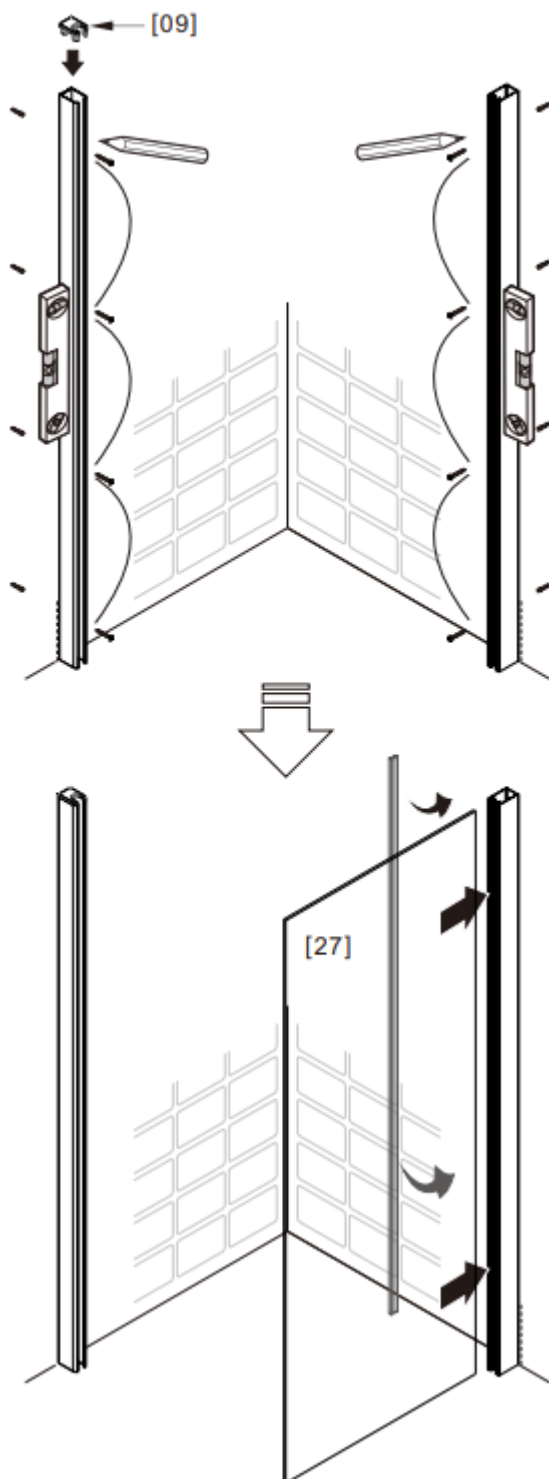
Size (mm)	L1	
	Min.	Max.
600	554	574
700	654	674
800	754	774
900	854	874
1000	954	974

Size (mm)	L2	
	Min.	Max.
800	780	805
900	880	905
1000	980	1005
1100	1080	1105
1200	1180	1205
1400	1380	1405
1600	1580	1605
1800	1780	1805

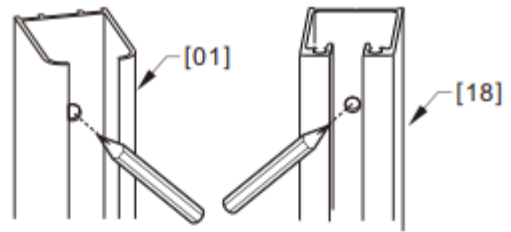


fortifura

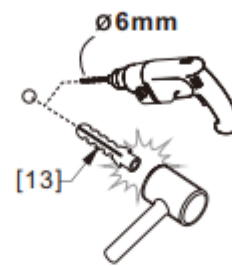
02



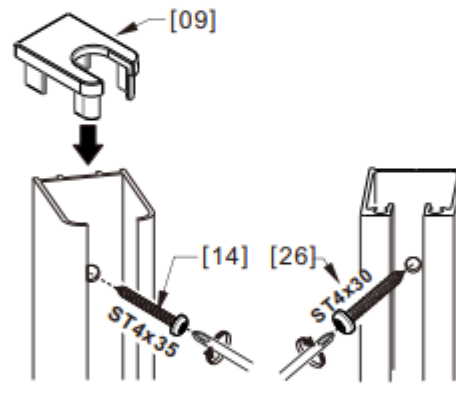
2.1



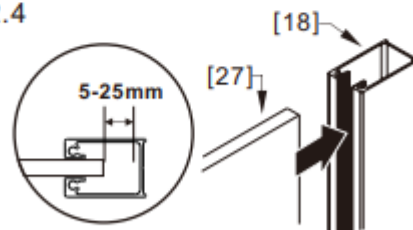
2.2



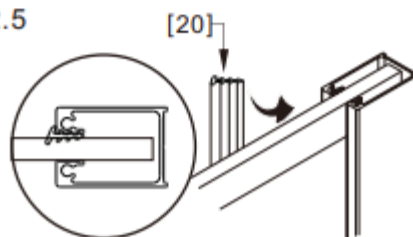
2.3



2.4



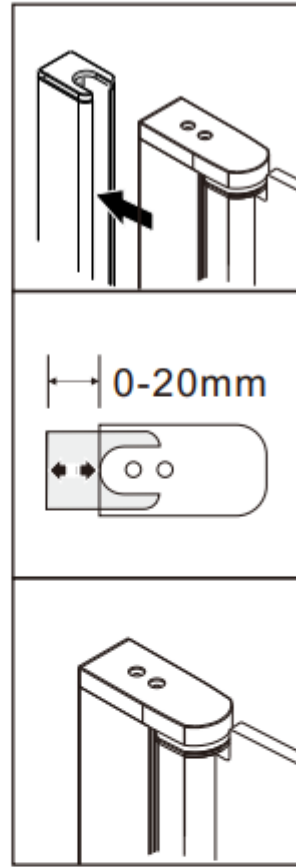
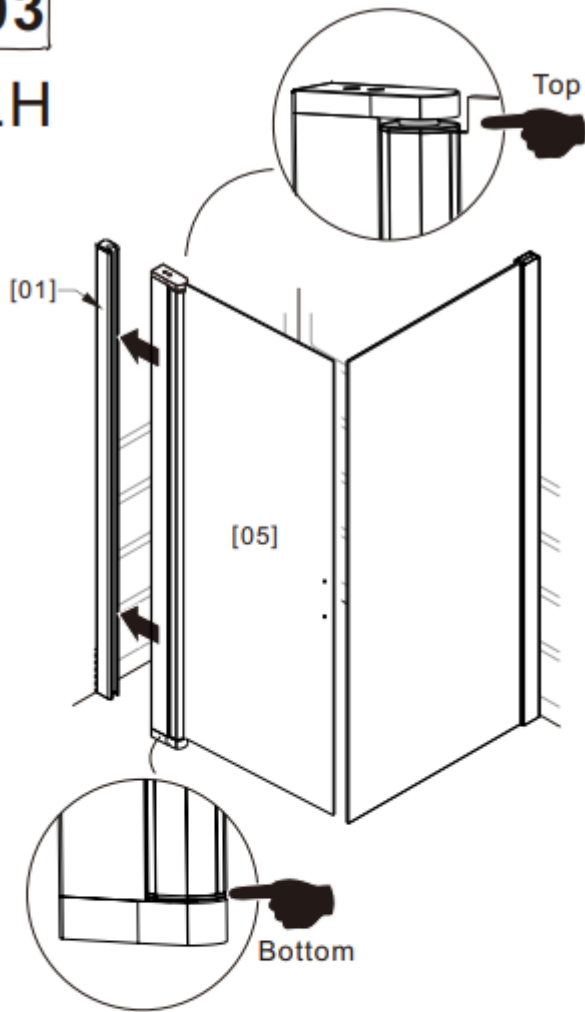
2.5



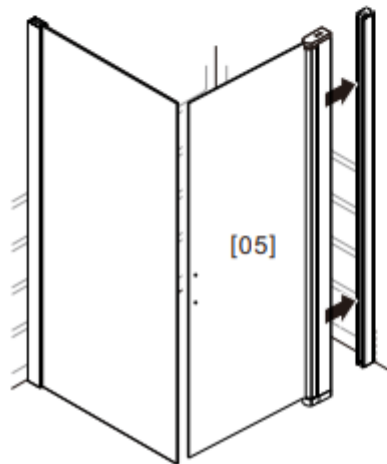
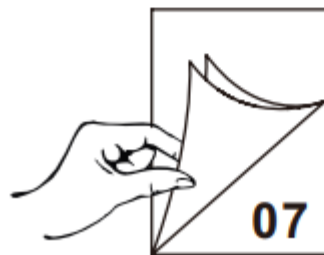
fortifura

03

LH

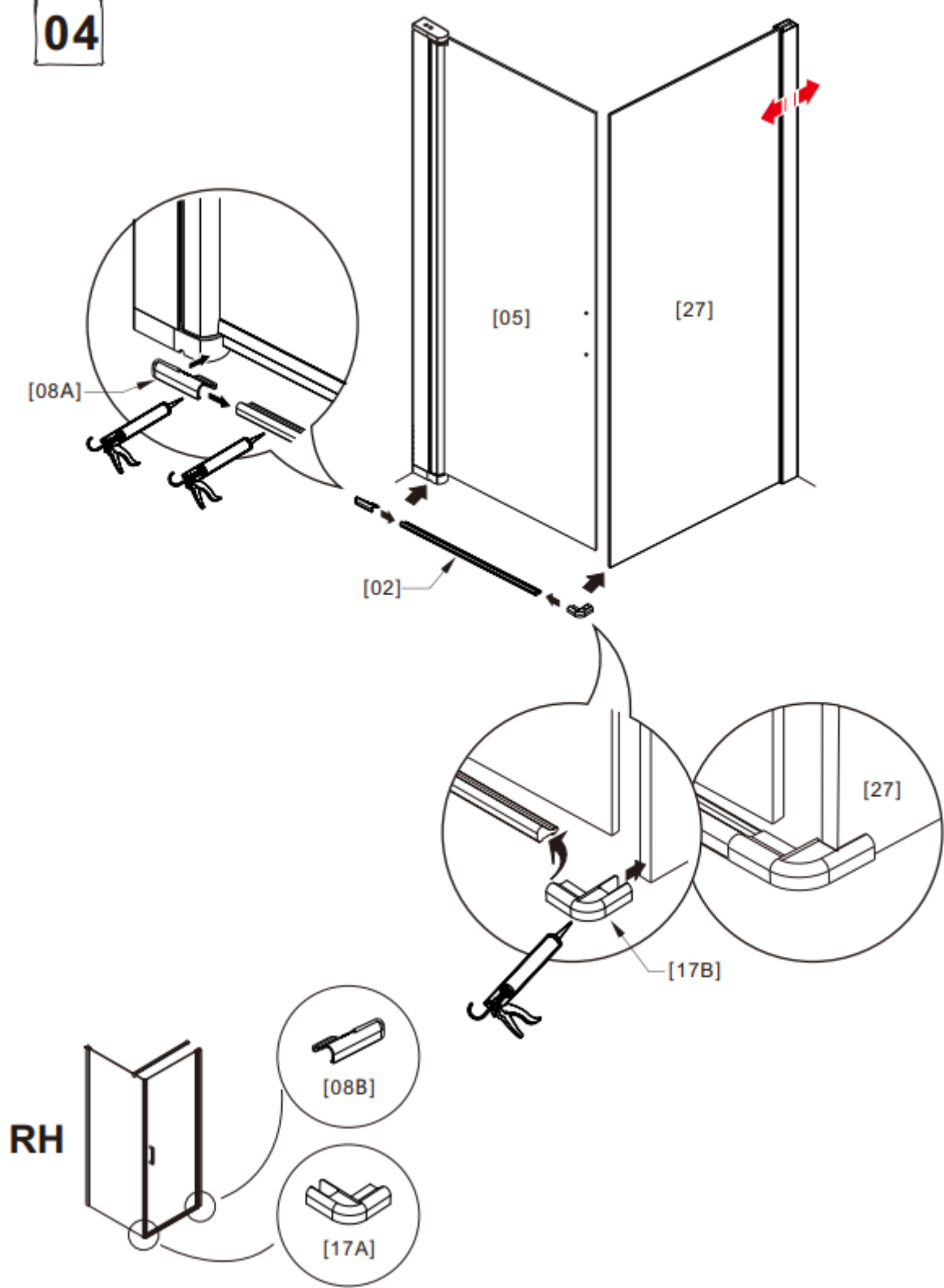


or RH



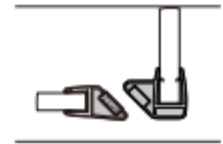
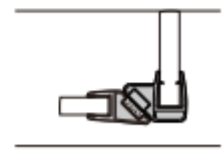
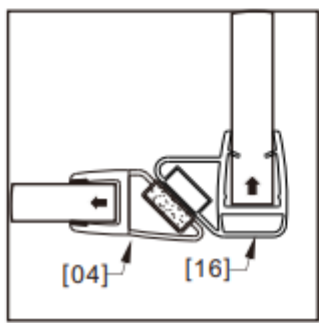
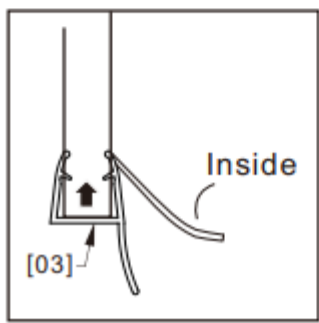
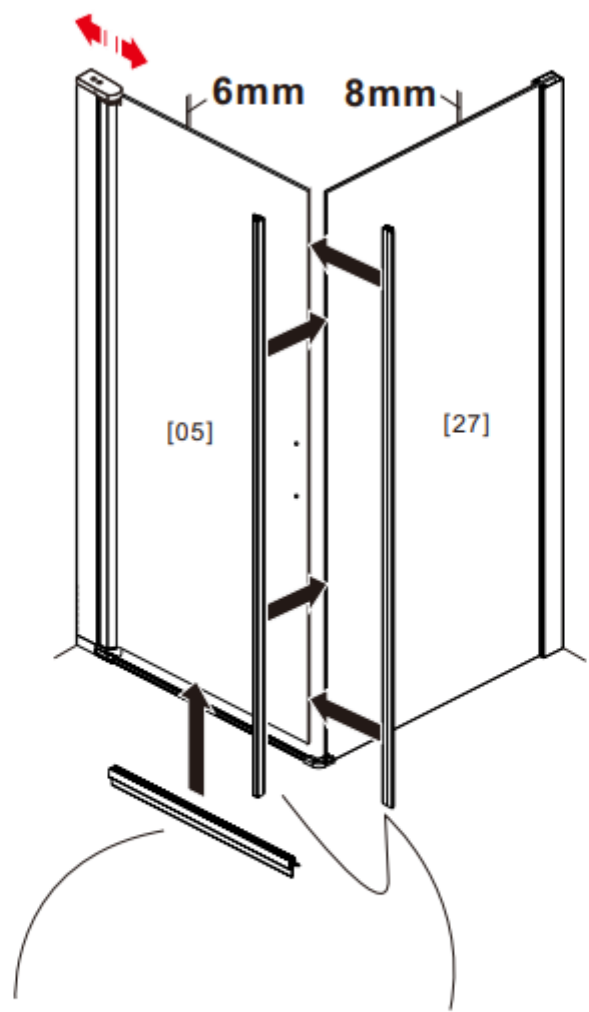
fortifura

04

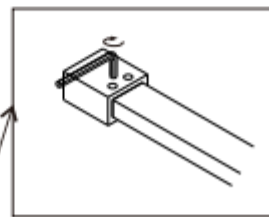
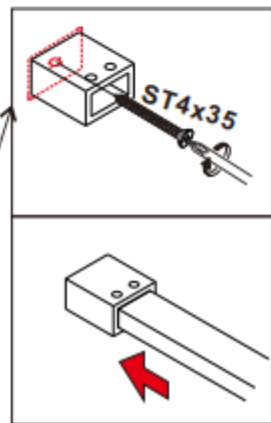
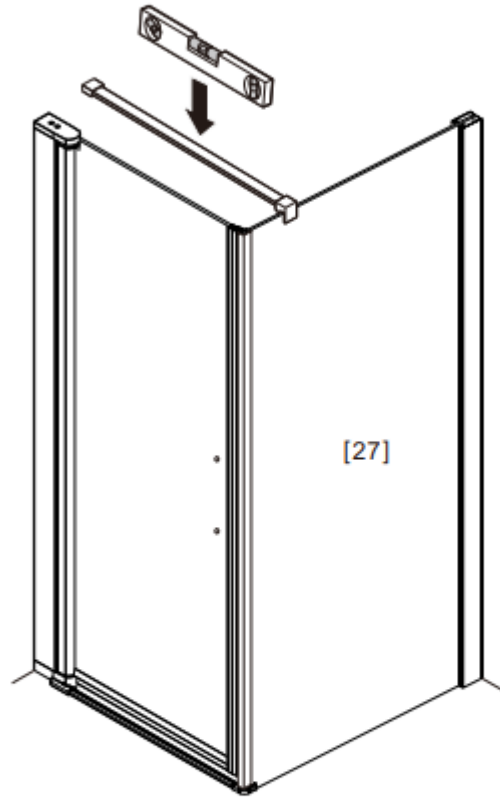
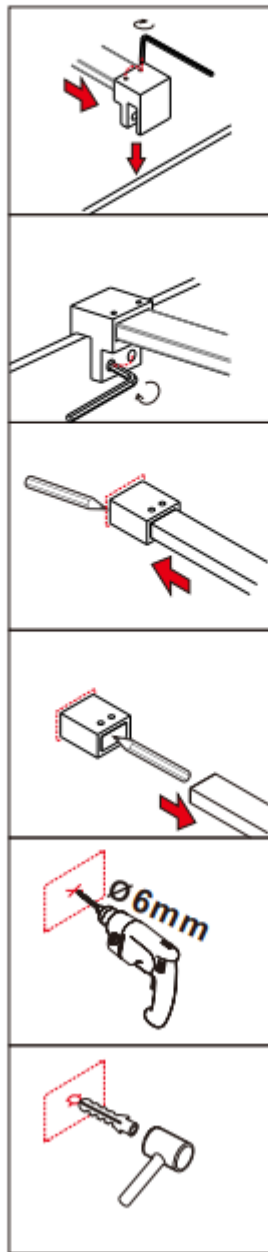
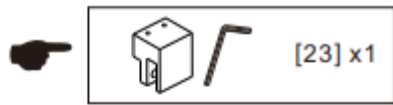


fortifura

05

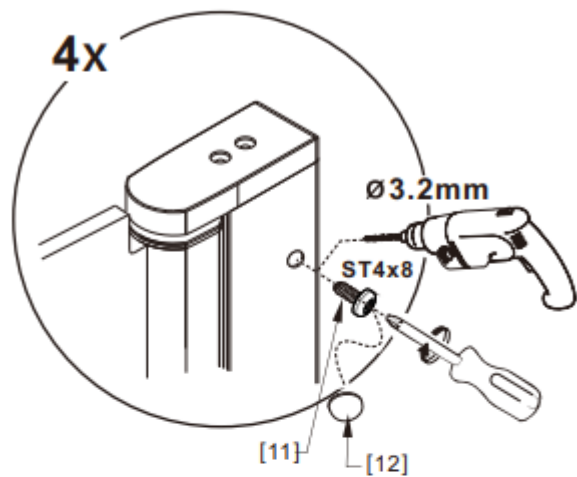
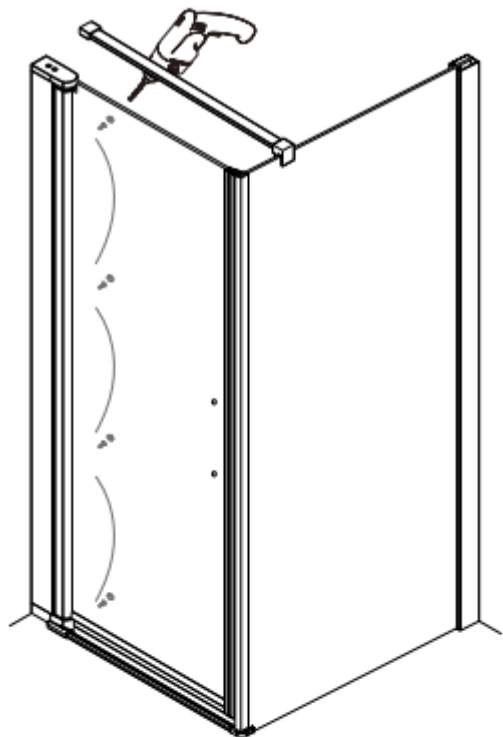


fortifura

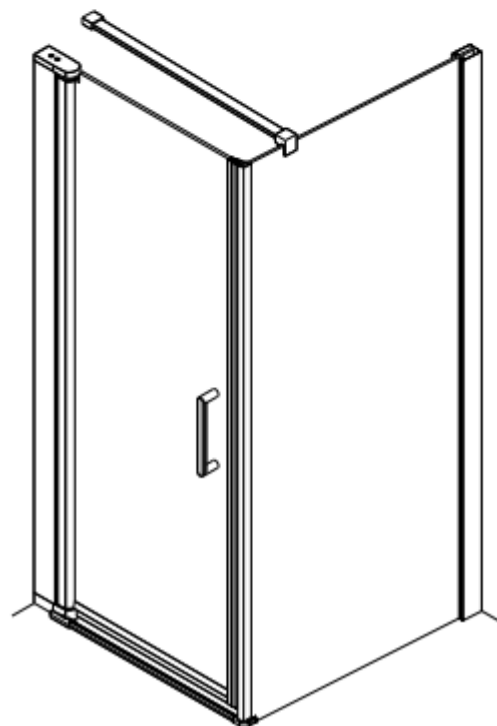
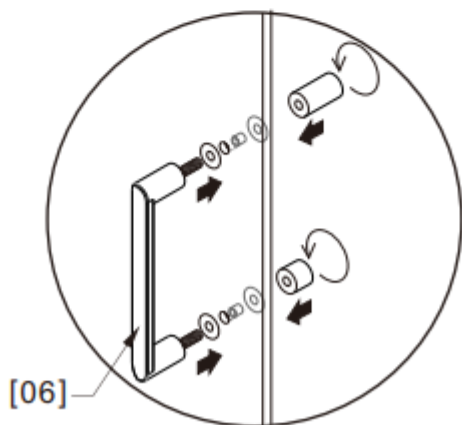


fortifura

07

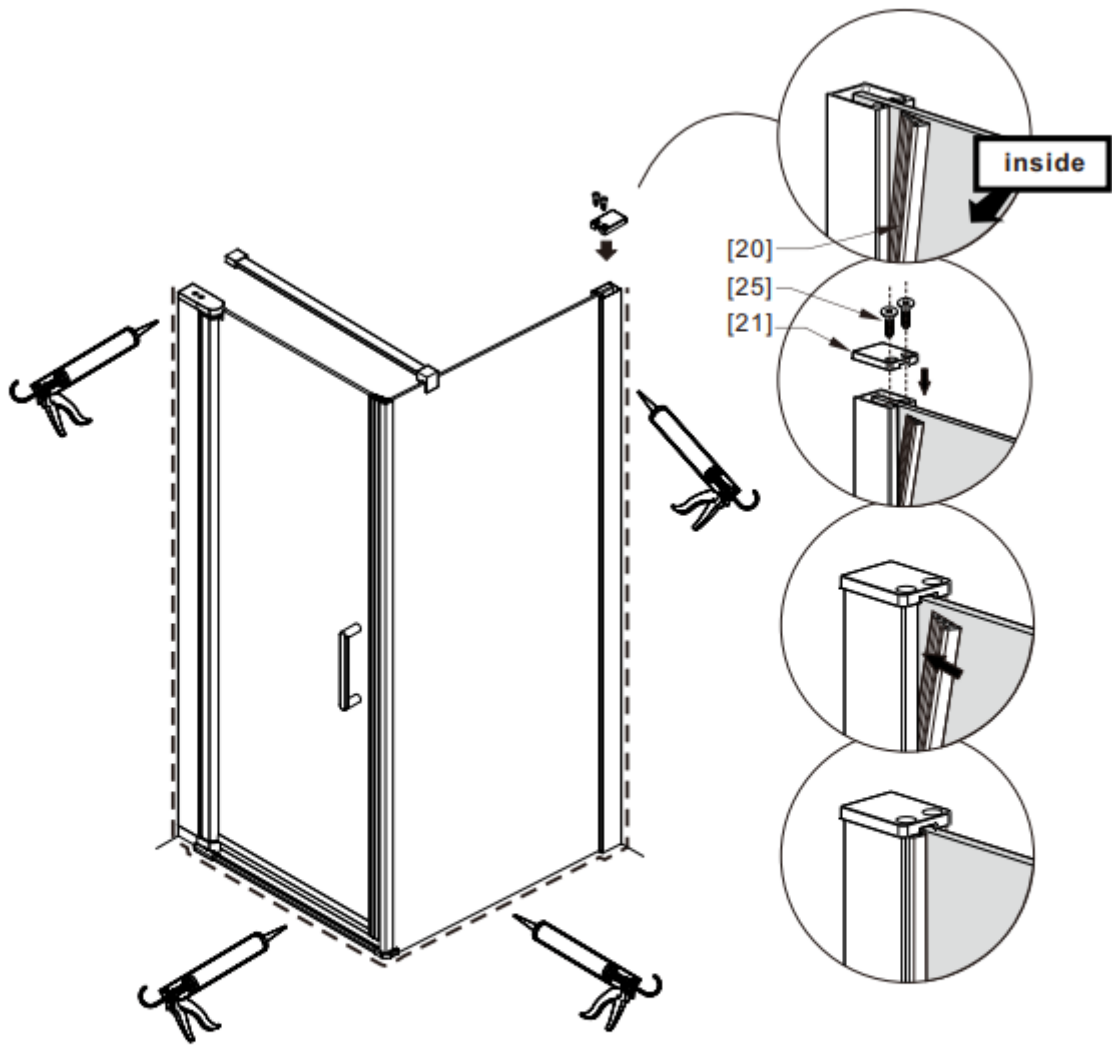


08



fortifura

09



fortifura