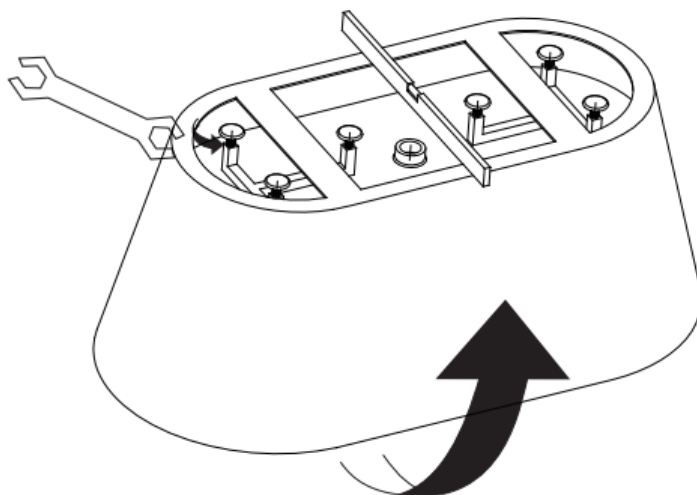


zeza



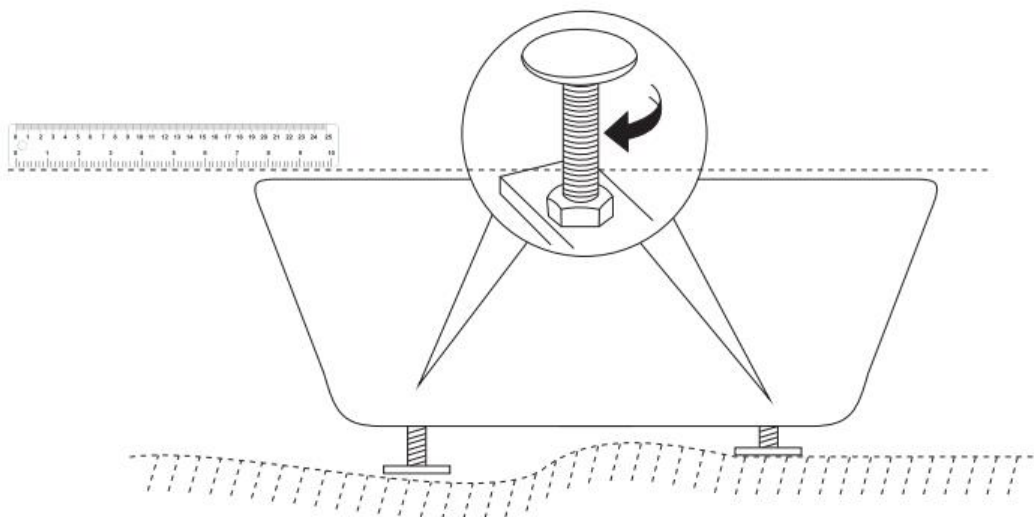
1

Place the bath upside down on a dust sheet or soft cloth so not to scratch the surface. Level the feet on the base of the bath and lock them into place.



2

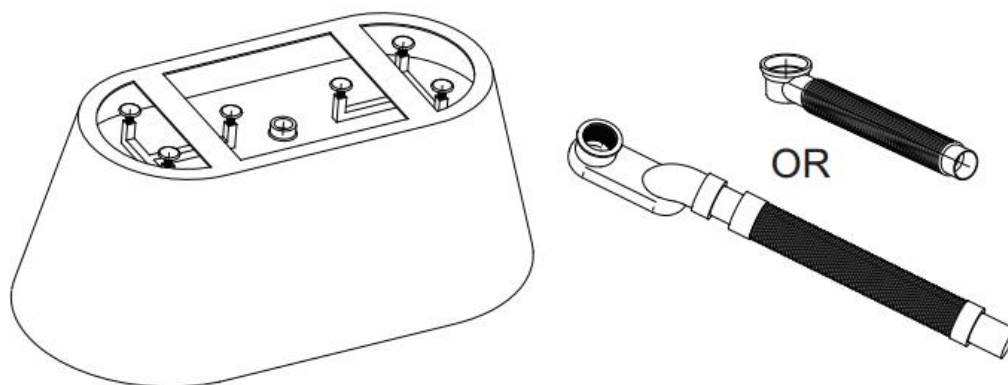
Turn the bath over and temporarily place in what will be final position in the bathroom. Check along the top of the bath using a spirit level and adjust the feet if necessary and lock into place.





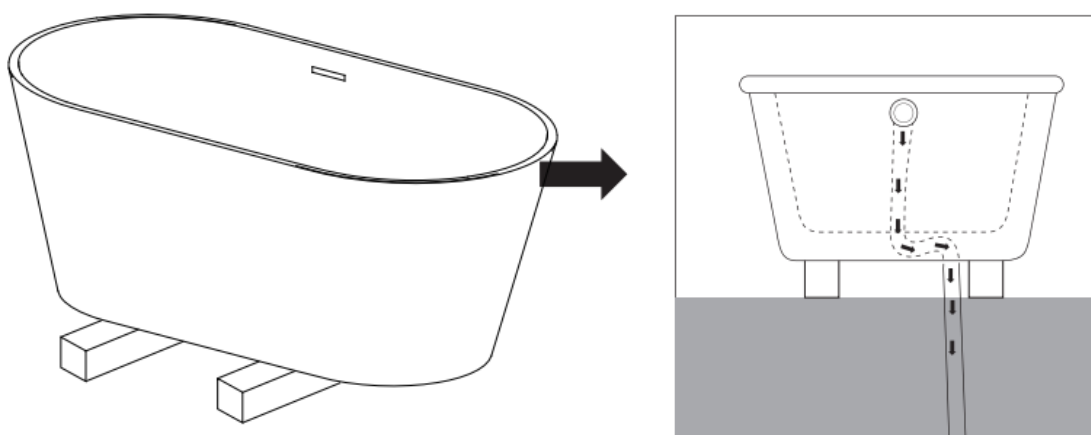
3

Turn the tub upside down and install a drain line in the tub according to your home's sewer configuration



4

Turn the bath the right way up and rest on two blocks (ideally 4" x 4") in position to gain access underneath to attach the household pipework.

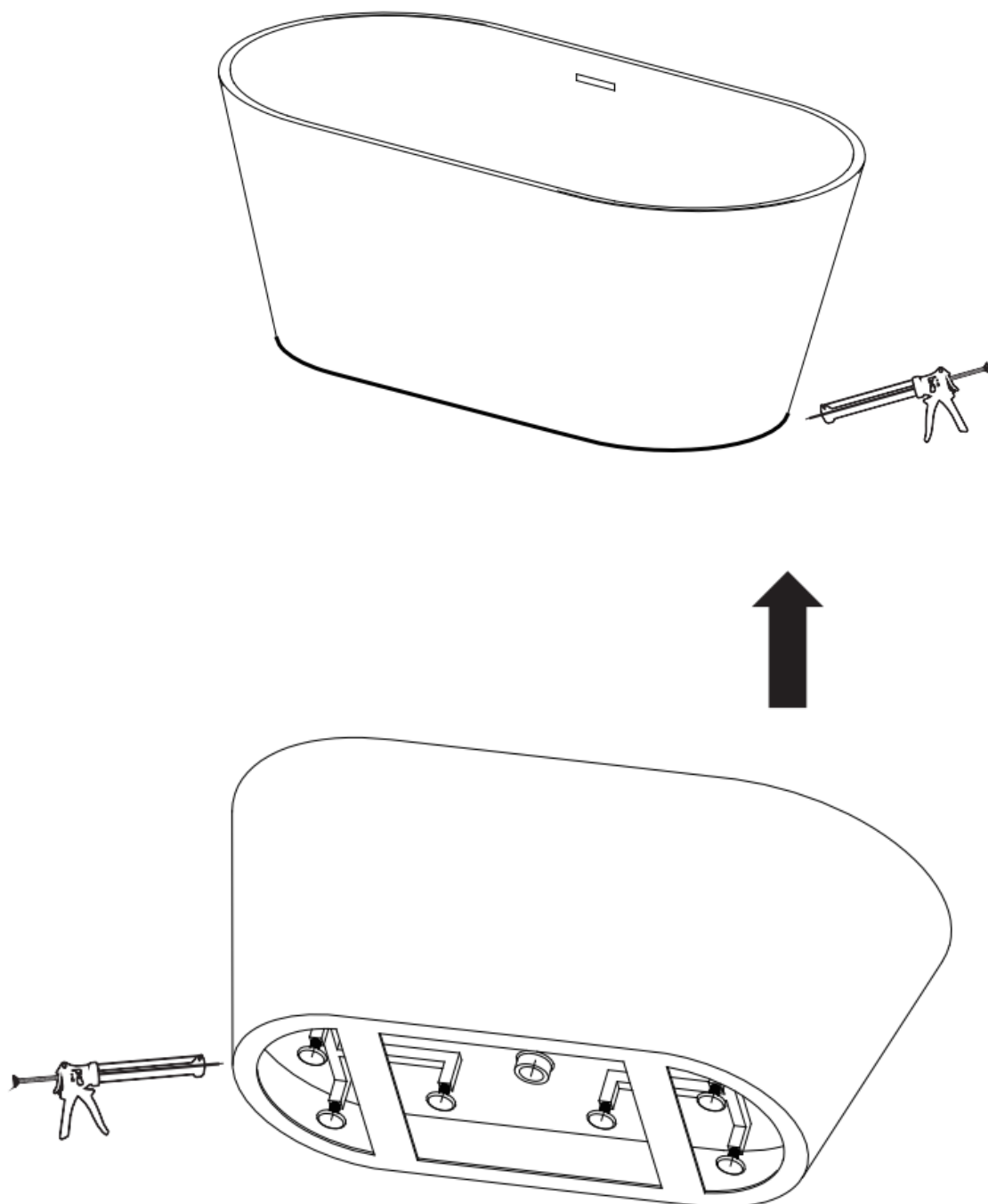


zeza



5

Once the waste option has been chosen and attached to the household pipework water should be poured through the waste to check for leaks. Once this has been done apply silicon to the underside of the bath to complete the look.

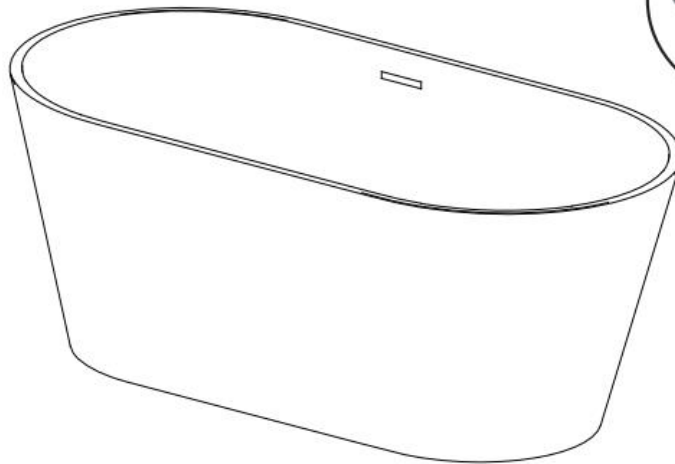


zeza



6

Please allow 24 hours for the silicon to dry off before use. The installation guide includes options for waste connection: The final decision about installation and waste connection should be taken by a qualified person.



AFTER INSTALLATION

Run water into the bath and check connections for leaks.



ALWAYS

- Clean every day by thoroughly rinsing with mild soap and warm water and wipe dry with a cloth.
- Keep the tub free of any standing water as this can cause a buildup of mineral deposit, which can affect the appearance of your sink.
- Always rinse the bathtub after using any cleaning agent and wipe dry with a cloth . Clean any mineral deposits built up over time with a mild solution of vinegar and water followed by thorough flushing with water.

NEVER

- Use steel wool or a scouring pad as it damages the sink surface and causes discoloration.
- Let household cleaning agents or bleach sit in your bathtubs for a long period as this may ruin the finish of your sink.
- Leave rubber mats , sponges , or cleaning pads in the bathtub for long periods as this may damage the finish of your tub.
- Use the inside of the tub as a cutting surface.

NOTE

- The uneven surface --- To finish polishing a bathtub , we usually apply wax to make it shine and protect it from stains and scratches . However , the extra wax will eventually generate an uneven Surface . Before using it , please use a clean cloth with warm water in circular motions to lightly wipe the surface to remove the extra wax.
- The water stain --- To finish testing the bathtub overflow, we usually inspect the bathtub overflow drains by running water down the drains to test if there is any leak at the overflow . Therefore, water stains may be found on the surface of the bathtub.