




Positie	Aantal	Omschrijving
	1	<p><b>MAGNA3 25-40</b></p>  <p>Opm. De foto kan afwijken van het eigenlijke product</p> <p>Artikelnr.: <a href="#">97924244</a></p> <p><b>MAGNA3 – More than a pump</b>              With its unrivalled efficiency, all-encompassing range and built-in communication capabilities plus functionalities replacing system components, the MAGNA3 is ideal for engineers and specifiers looking to create high-performance systems for buildings.</p> <p>This pump in the Grundfos Master Class will fit both heating and cooling applications perfectly, making it the obvious choice for almost any building project – old or new.</p> <p>The MAGNA3 is of the canned-rotor type, i.e. pump and motor form an integral unit without shaft seal and with only two gaskets for sealing. The bearings are lubricated by the pumped liquid.</p> <p>The innovative clamp with only one screw enables easy repositioning of the pump head.</p> <p>The MAGNA3 is a pump with no maintenance requirements and with extremely low Life Cycle Cost.</p> <p>The pump is characterised by the following:</p> <ul style="list-style-type: none"> <li>• controller integrated in the control box</li> <li>• control panel with TFT display on the control box</li> <li>• control box prepared for optional CIM modules</li> <li>• built-in differential-pressure and temperature sensor</li> <li>• cast-iron pump housing (depending on model)</li> <li>• carbon-fibre-reinforced composite rotor can</li> <li>• stainless-steel bearing plate and rotor cladding</li> <li>• aluminium alloy stator housing</li> <li>• air-cooled power electronics</li> </ul> <p>The MAGNA3 is a single-phase pump.</p> <p><b>Characteristic features</b></p> <ul style="list-style-type: none"> <li>• AUTOADAPT.</li> <li>• FLOWADAPT and FLOWLIMIT (more than a pump function as it reduces the need for pump throttling valves).</li> <li>• Proportional-pressure control.</li> <li>• Constant-pressure control.</li> <li>• Constant-temperature control.</li> <li>• Constant-curve duty.</li> <li>• Max. or min. curve duty.</li> <li>• Automatic Night Setback.</li> <li>• No external motor protection required.</li> <li>• Insulating shells supplied with single-head pumps for heating systems.</li> <li>• Large temperature range where the liquid temperature and the ambient temperature are independent of each other.</li> </ul> <p><b>Communication</b>              The MAGNA3 enables communication via the following:</p> <ul style="list-style-type: none"> <li>• wireless Grundfos GO Remote</li> <li>• fieldbus communication via CIM modules</li> </ul>



Firma naam:

Gemaakt door:

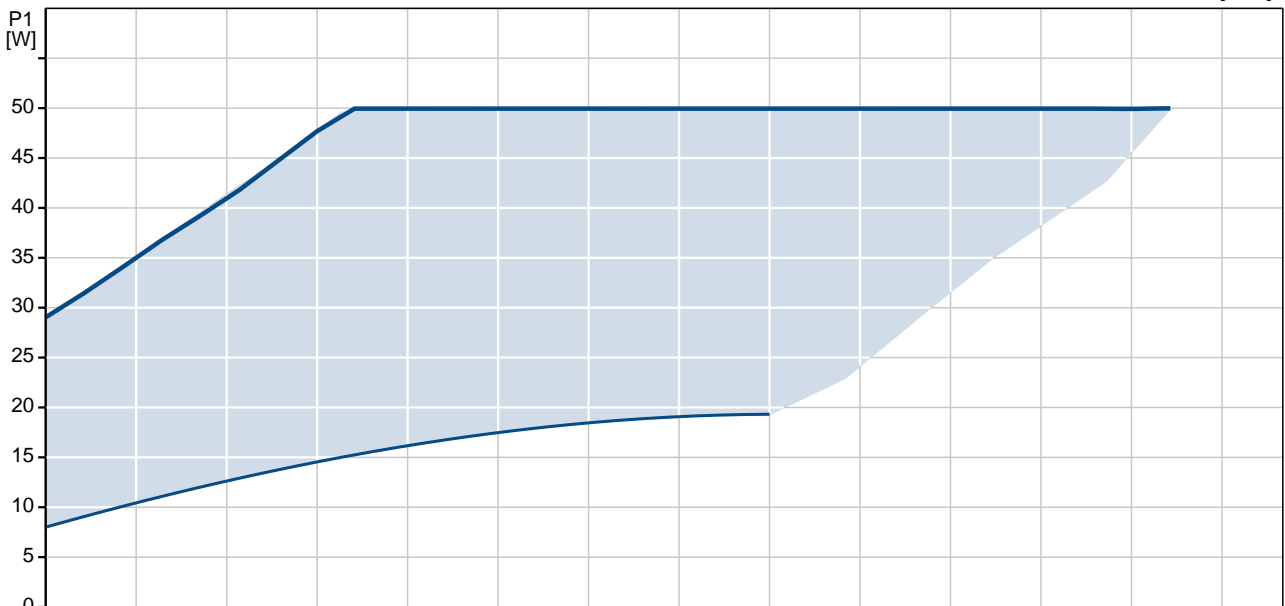
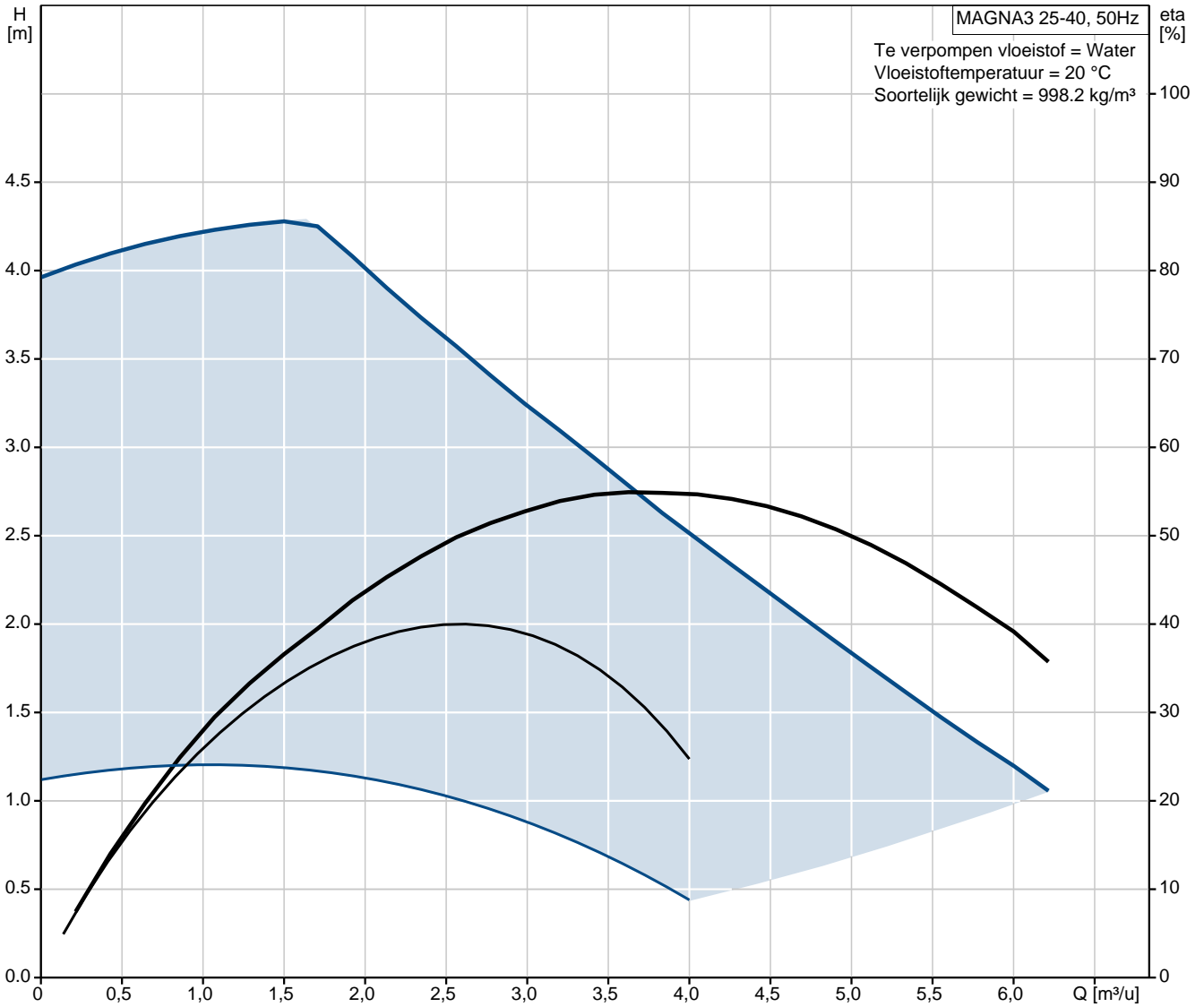
Telefoon:

Datum:

Positie	Aantal	Omschrijving
		<ul style="list-style-type: none"> <li>• digital inputs</li> <li>• relay outputs</li> <li>• analog input (more than a pump function as heat energy meter)</li> </ul> <p>Motor and electronic controller                      The MAGNA3 incorporates a 4-pole synchronous, permanent-magnet motor (PM motor). This motor type is characterised by higher efficiency than a conventional asynchronous squirrel-cage motor.                      The pump speed is controlled by an integrated frequency converter.                      A differential-pressure and temperature sensor is incorporated in the pump.</p> <p><b>Vloeistof:</b>                      Bereik vloeistoftemperatuur: -10 .. 110 °C</p> <p><b>Technisch:</b>                      TF klasse: 110                      Keurmerken op typeplaat: CE,VDE,EAC</p> <p><b>Materialen:</b>                      Pomphuis: Gietijzer                      EN-GJL-200                      ASTM A48-200B                      Waaier: PES 30%GF</p> <p><b>Installatie:</b>                      Reeks van omgevingstemperaturen: 0 .. 40 °C                      Maximale bedrijfsdruk: 10 bar                      Leidingaansluiting: G 1 1/2"                      Druktrap: PN10                      Inbouwlengte: 180 mm</p> <p><b>Elektrische gegevens:</b>                      Vermogen - P1: 9 .. 56 W                      Maximum stroomverbruik: 0.09 .. 0.46 A                      Netfrequentie: 50 Hz                      Nominale spanning: 1 x 230 V                      Dichtheidsklasse (IEC 34-5): X4D                      Insolatie klasse (IEC 85): F</p> <p><b>Overige:</b>                      Label: Grundfos Blueflux                      Energy (EEI): 0.19                      Netto gewicht: 4.81 kg                      Bruto gewicht: 5.27 kg                      Transportvolume: 0.015 m³</p>



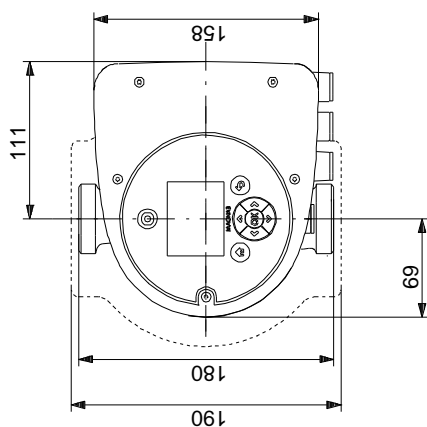
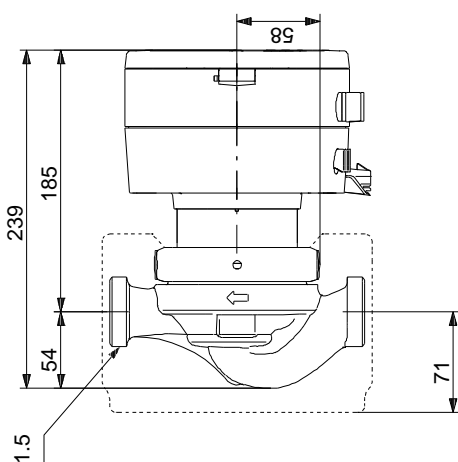
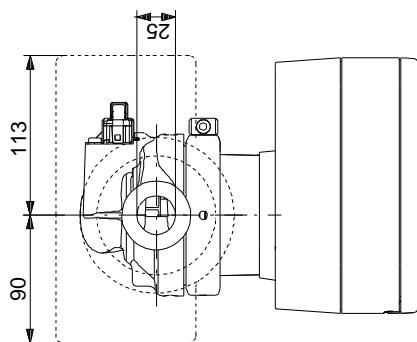
## 97924244 MAGNA3 25-40 50 Hz







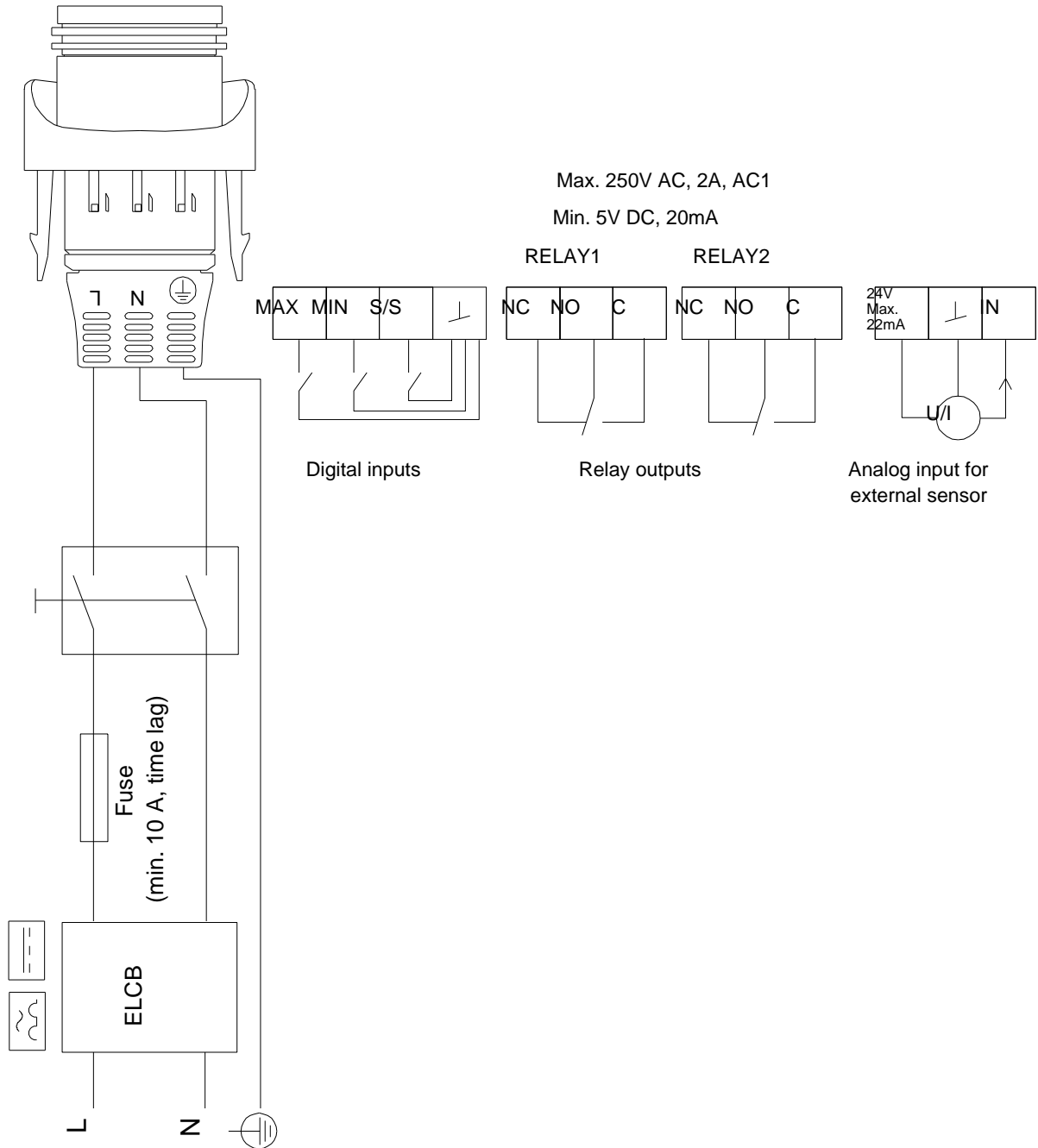
## 97924244 MAGNA3 25-40 50 Hz



Opm! Alle unit's zijn in [mm] tenzij anders aangegeven.  
Disclaimer: Deze eenvoudige maatschets toont u niet alle details.



**97924244 MAGNA3 25-40 50 Hz**



Opm.: Alle eenheden in (mm) tenzij anders vermeld