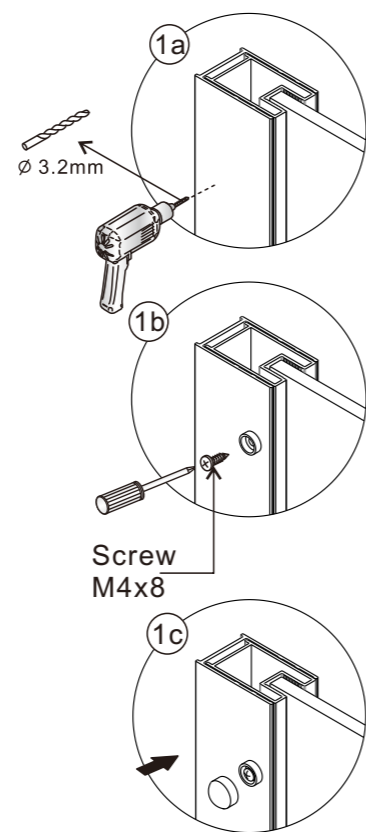
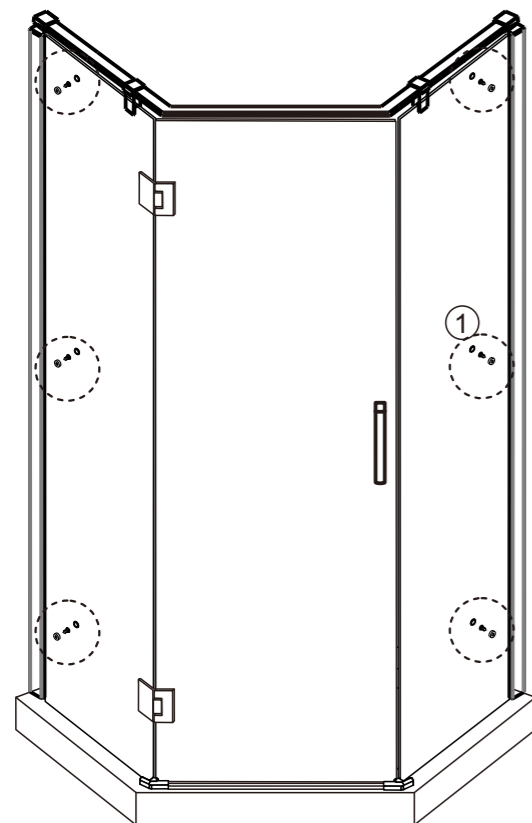
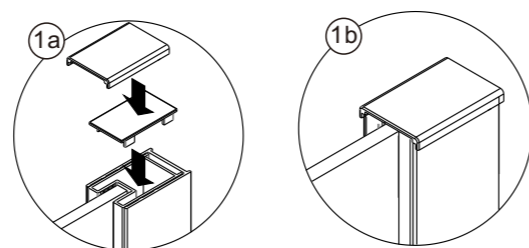
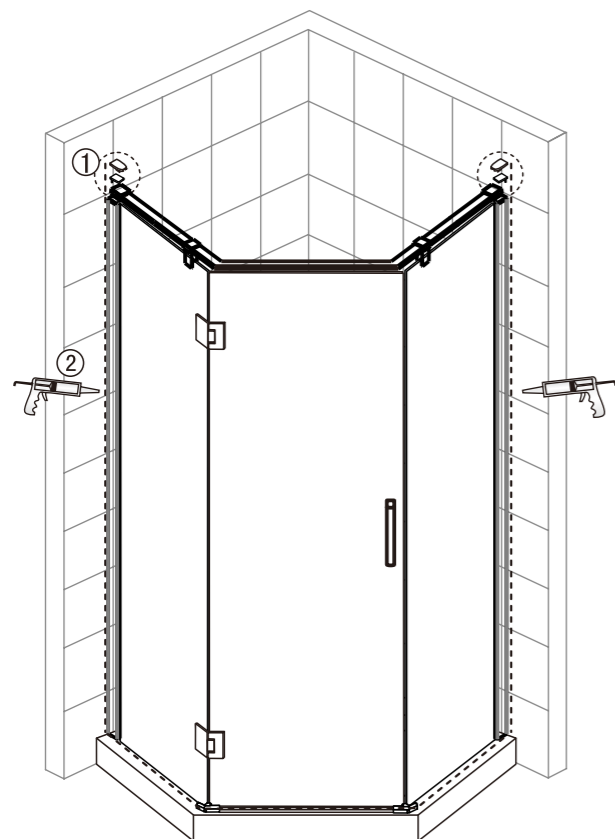


Step 7



View from inside

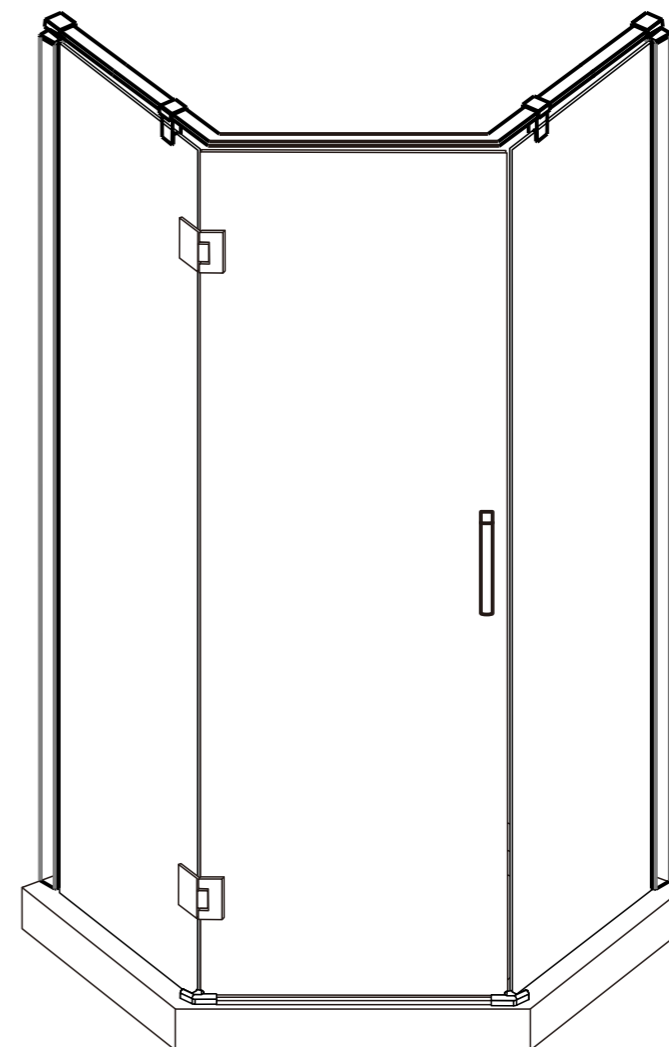
Step 8



Allow 24 hours for silicone to dry before use.

# INSTALLATION INSTRUCTIONS

## SW451482



Size: 900x900x1950mm

## ◆ General Information

Please inspect the product immediately upon receipt for transit damage, missing packs/parts or manufacturing fault. Damage reported later cannot be accepted. Please handle the product with care avoiding knocks and shock loading to all sides and edges of the glass.

### Notes: Safety glass can not be re-worked.

Please read these instructions carefully before start of installation.

Special care should be taken when drilling walls to avoid hidden pipes or electrical cables.

Note: This product is heavy and may require two people to install.

### Aftercare instructions

After use, your shower should be cleaned with soap and water. This is particularly important in hard water districts where insoluble lime salts may be deposited and allowed to build up.

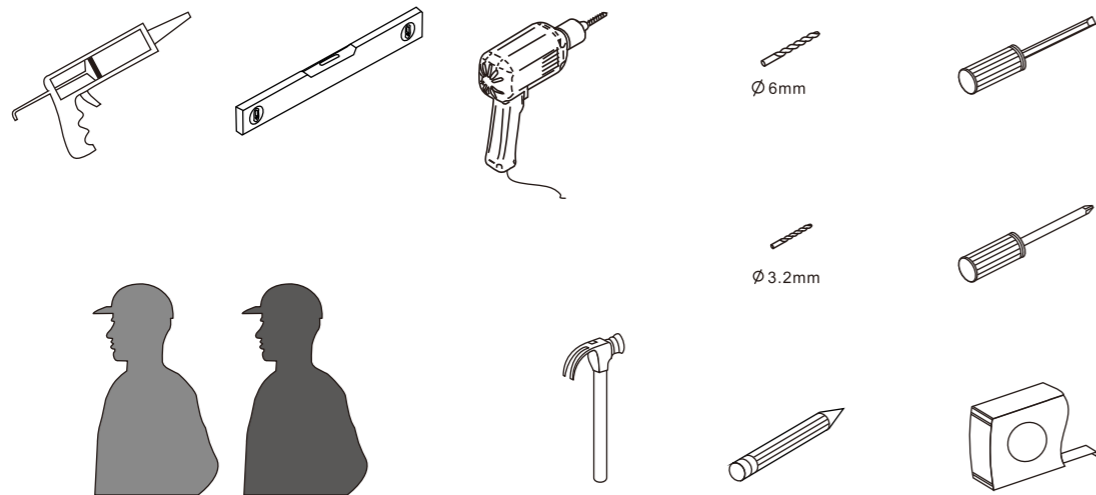
Cleaners of a gritty or abrasive nature should not be used. Care should be taken to avoid contact with strong chemicals such as organic solvents and strippers.

Glass cleaners can be used but with caution, if in doubt contact the manufacturer of the cleaner in question.

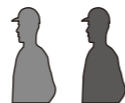
Glass cleaners can be used but with caution, if in doubt contact the manufacturer of the cleaner in question.

Please keep these instructions for aftercare and customer service details.

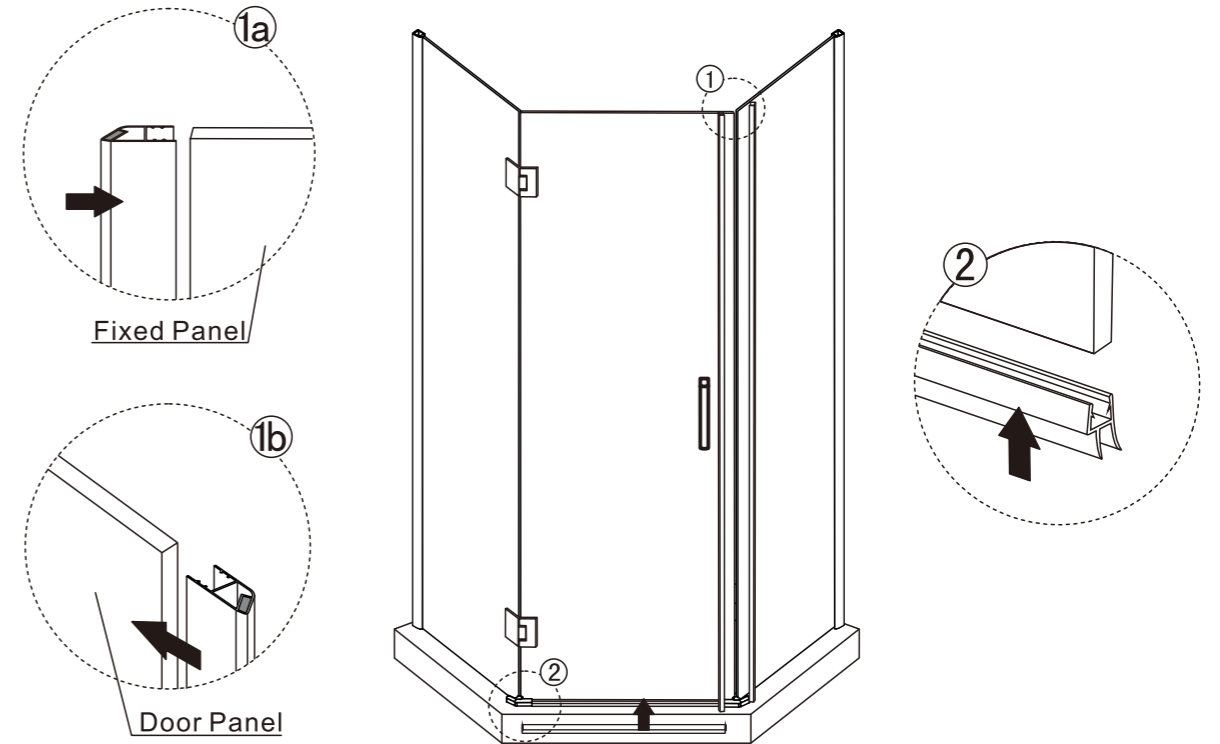
### Tools Required



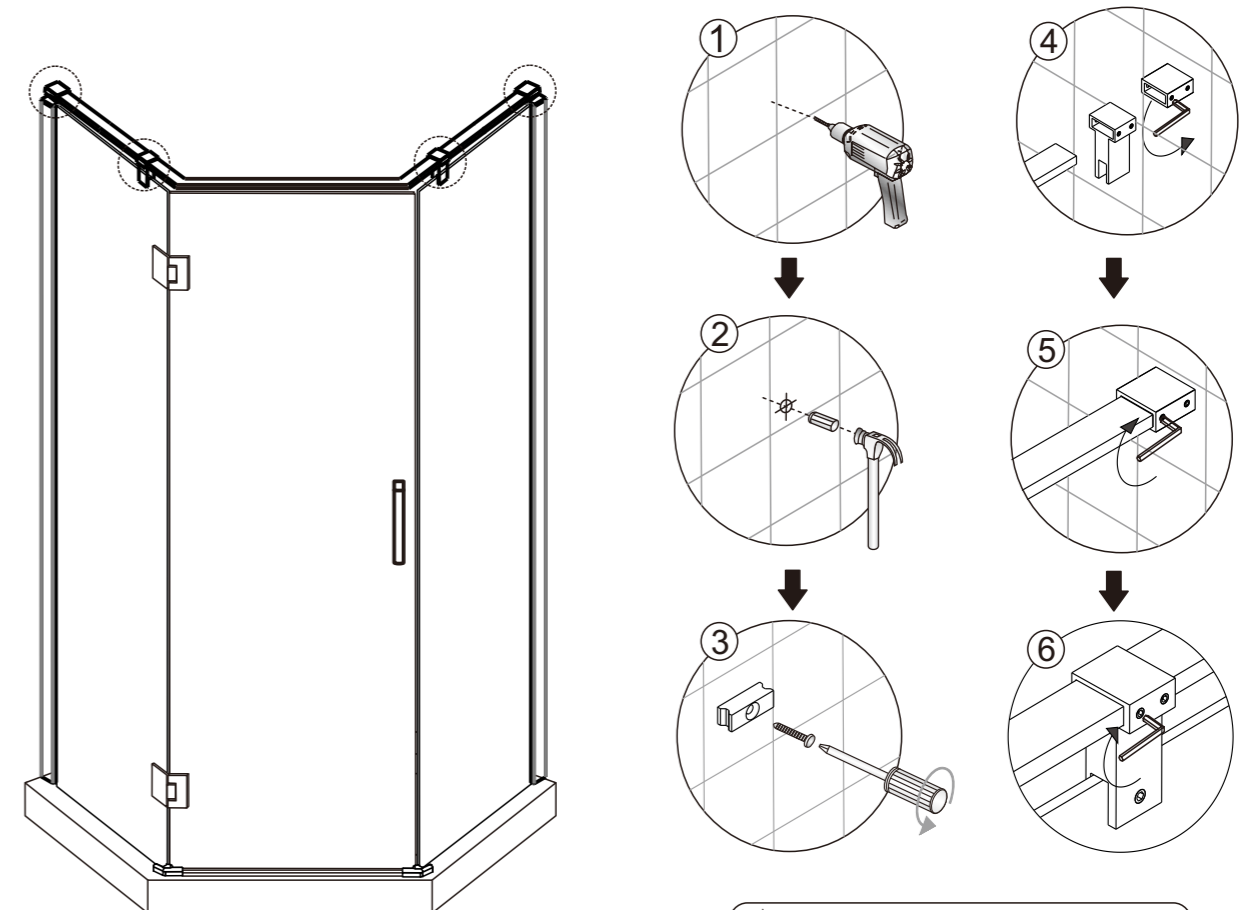
This product is heavy and may require two people to install.



### Step 5

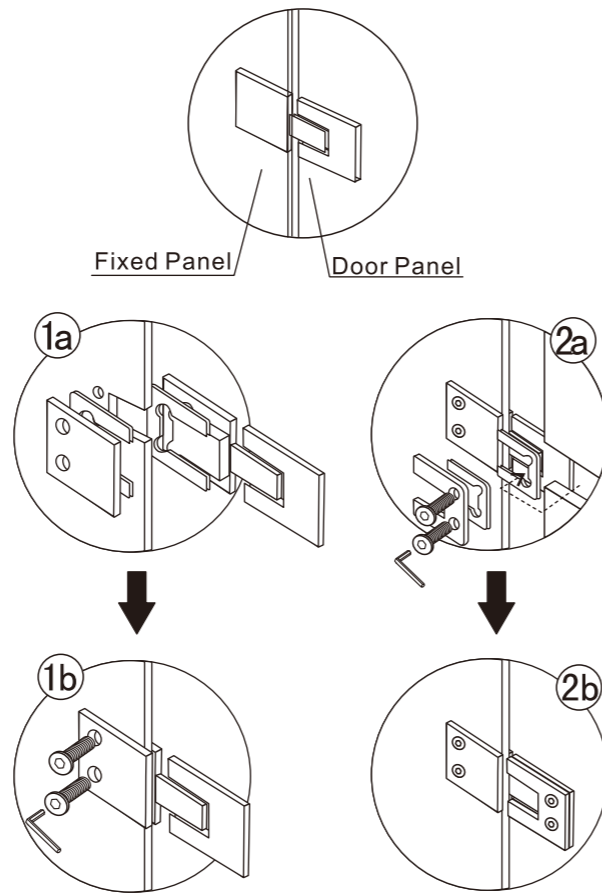
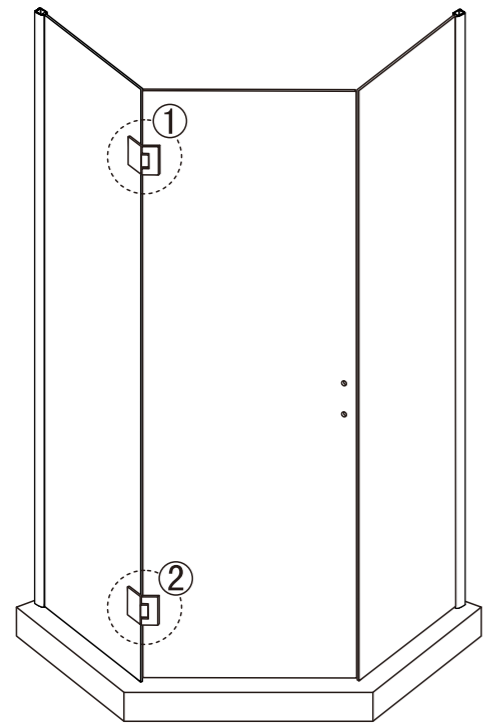


### Step 6



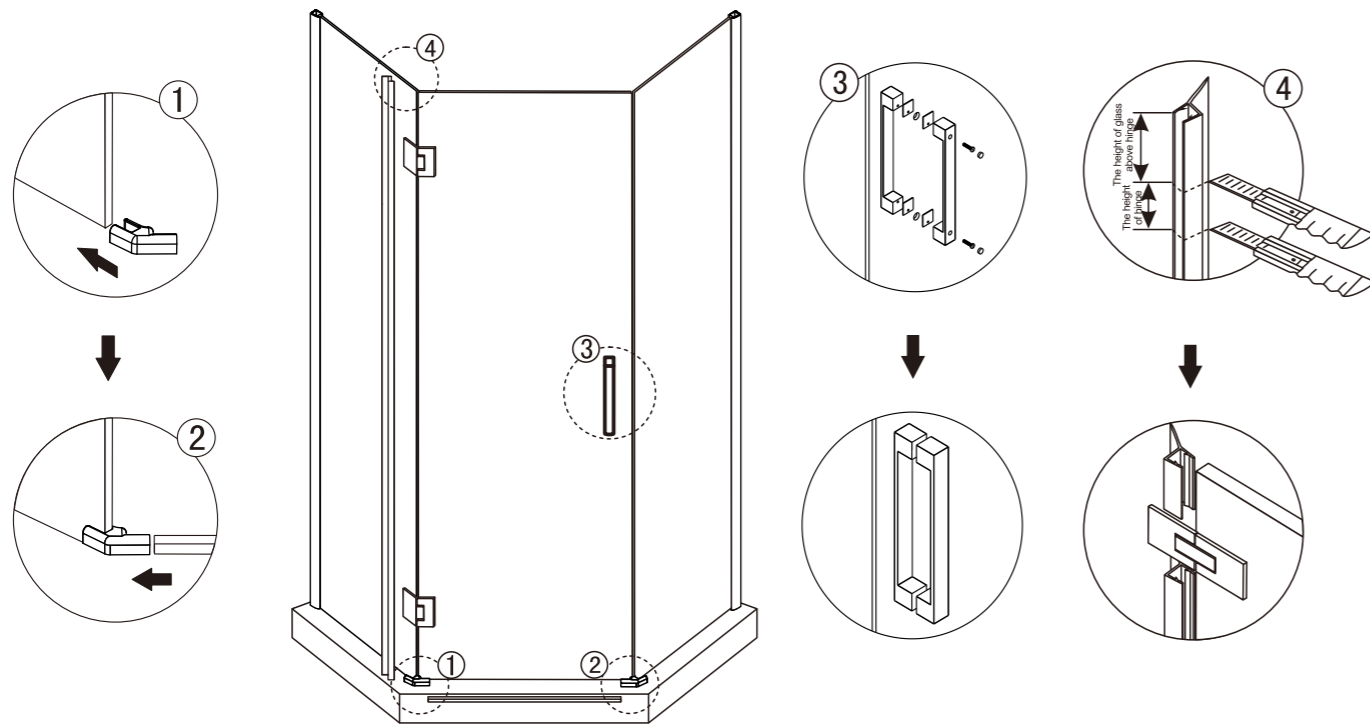
⚠ Ensure wall profiles are plumb.  
Adjust enclosure to be square and level.

### Step 3



View from inside

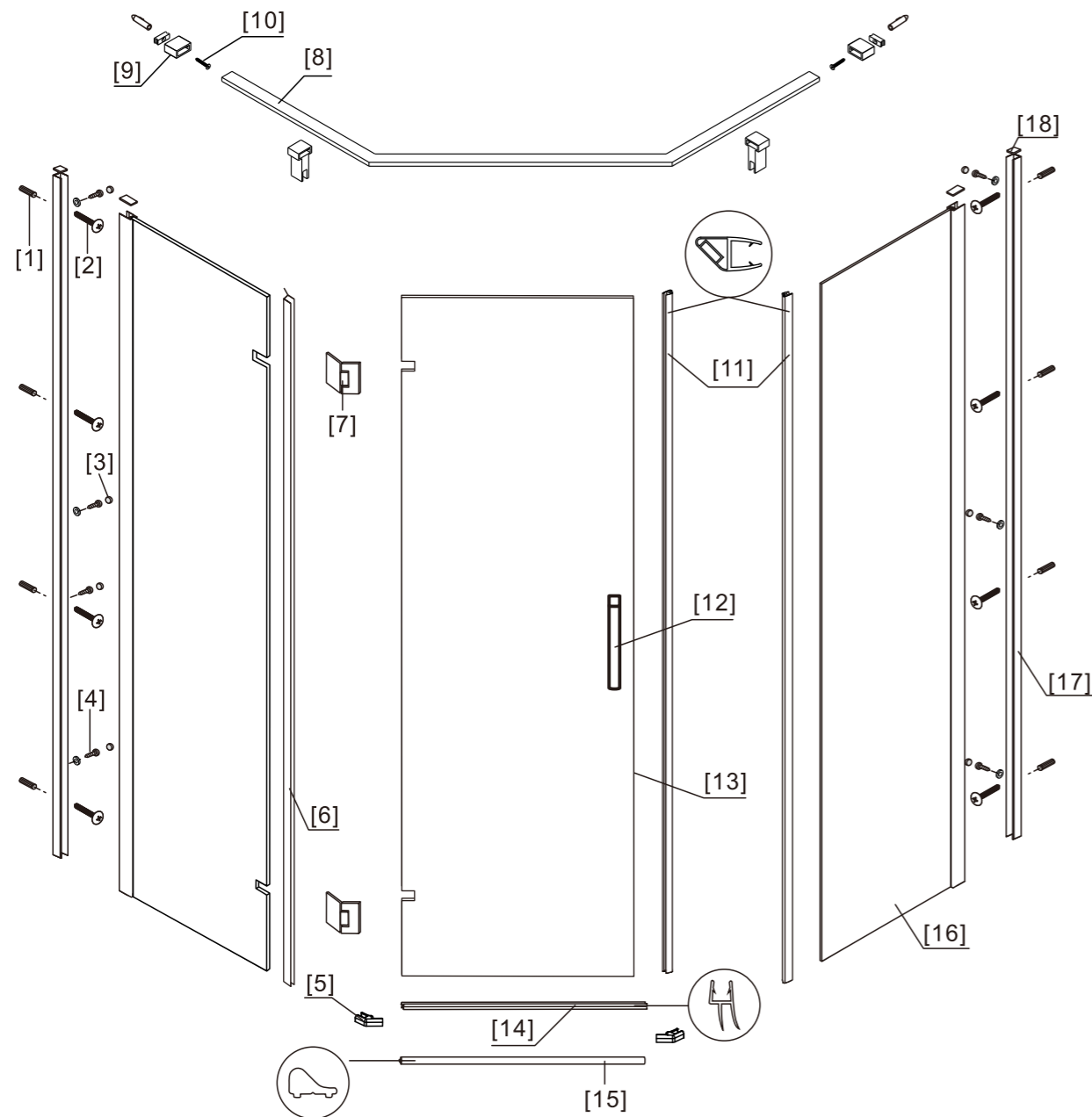
### Step 4



### ◆ Box Contents

[1] 1xAluminum Seal. 2xDoor Seal Clips.	➔	
[2] 1xInstallation Instruction.	➔	
[3] 1xHandle Set.	➔	
[4] 2xHinges.	➔	
[5] 2xWall Posts.	➔	
[6] 1xBracket	➔	
[7] 8xWall Plugs. 8xScrews M4x35. 6xScrews M4x8. 6xScrew Cover Caps.	➔	
[8] 2xWater Deflectors. 4xProfil Covers.	➔	
[9] 2xMagnetic Seals.	➔	
[10] 1xDoor Panel.	➔	
[11] 2xFixed Panels.	➔	

## ◆ Assembly Drawing

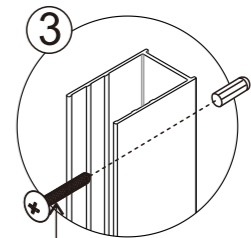
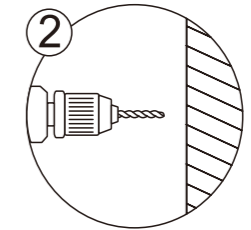
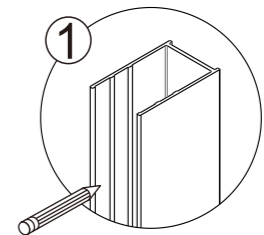
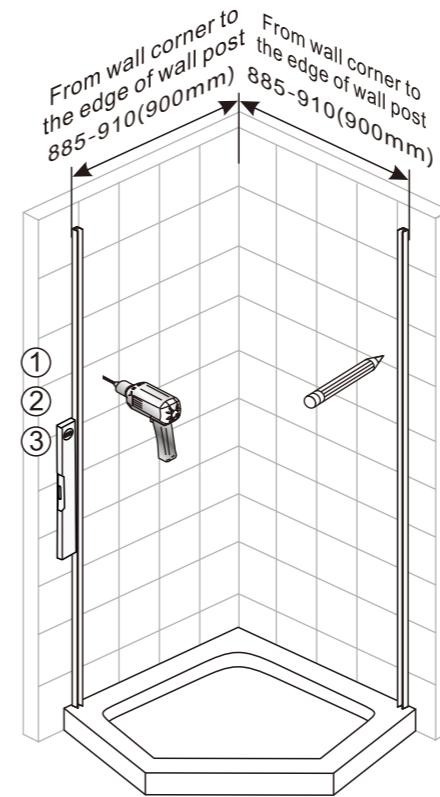


- [1] 10xWall Plugs.
- [2] 8xScrews M4x35.
- [3] 6xScrew Cover Caps.
- [4] 6xScrews 4x8.
- [5] 2xFloor Clips.
- [6] 1xWater Deflectors.
- [7] 2xHinges.
- [8] 1xBrackets.
- [9] 2xWall Connect Clips.

- [10] 2xScrews M4x35
- [11] 2xMagnetic Seals.
- [12] 1xHandle Set.
- [13] 1xDoor Panel.
- [14] 1xWater Deflector.
- [15] 1xAluminium Seal.
- [16] 2xFixed Panels.
- [17] 2xWall Posts.
- [18] 4xProfile Covers.

## ◆ Installation Steps

### Step 1



Flat Screw  
St4x35

### Step 2

