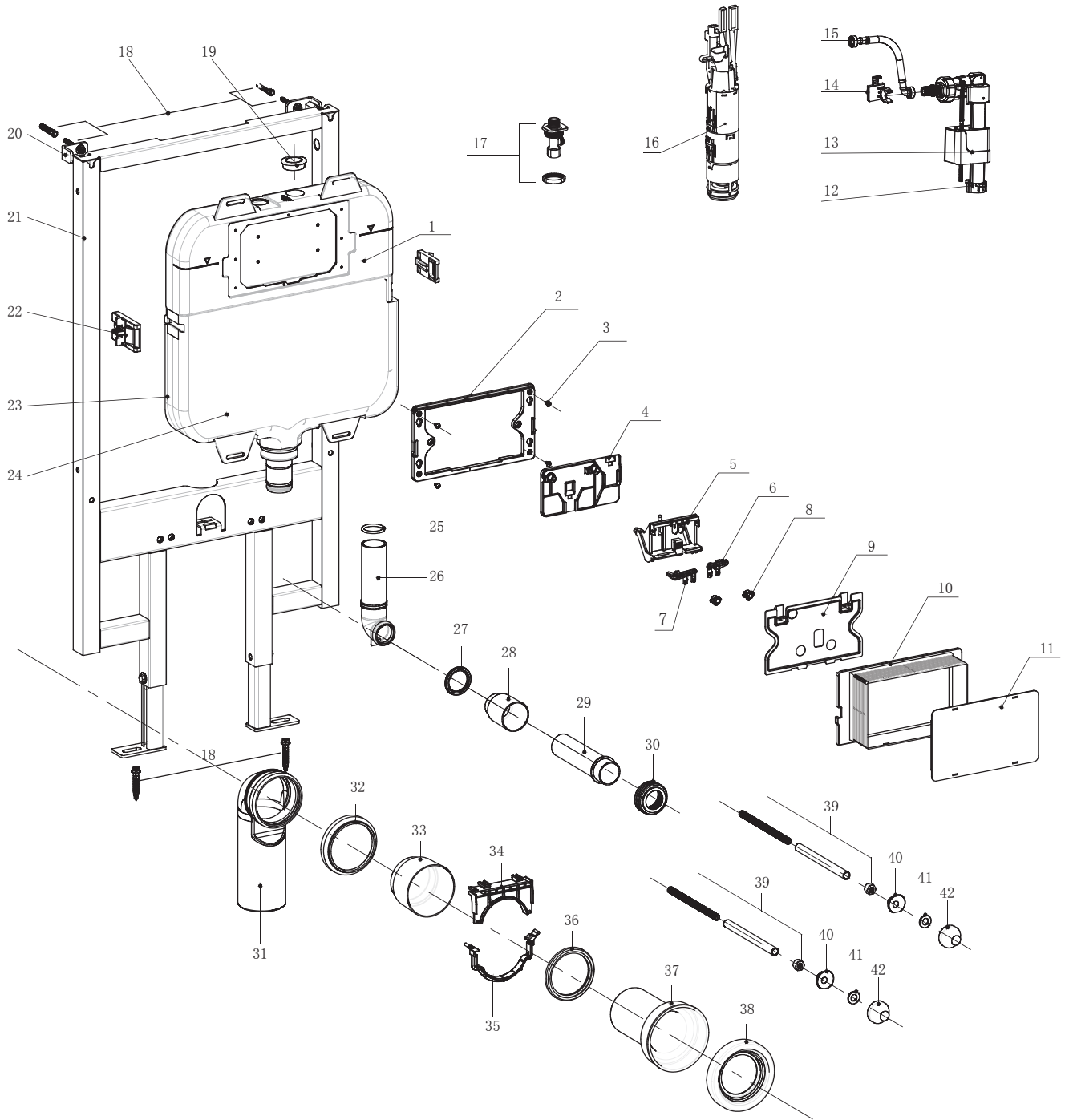
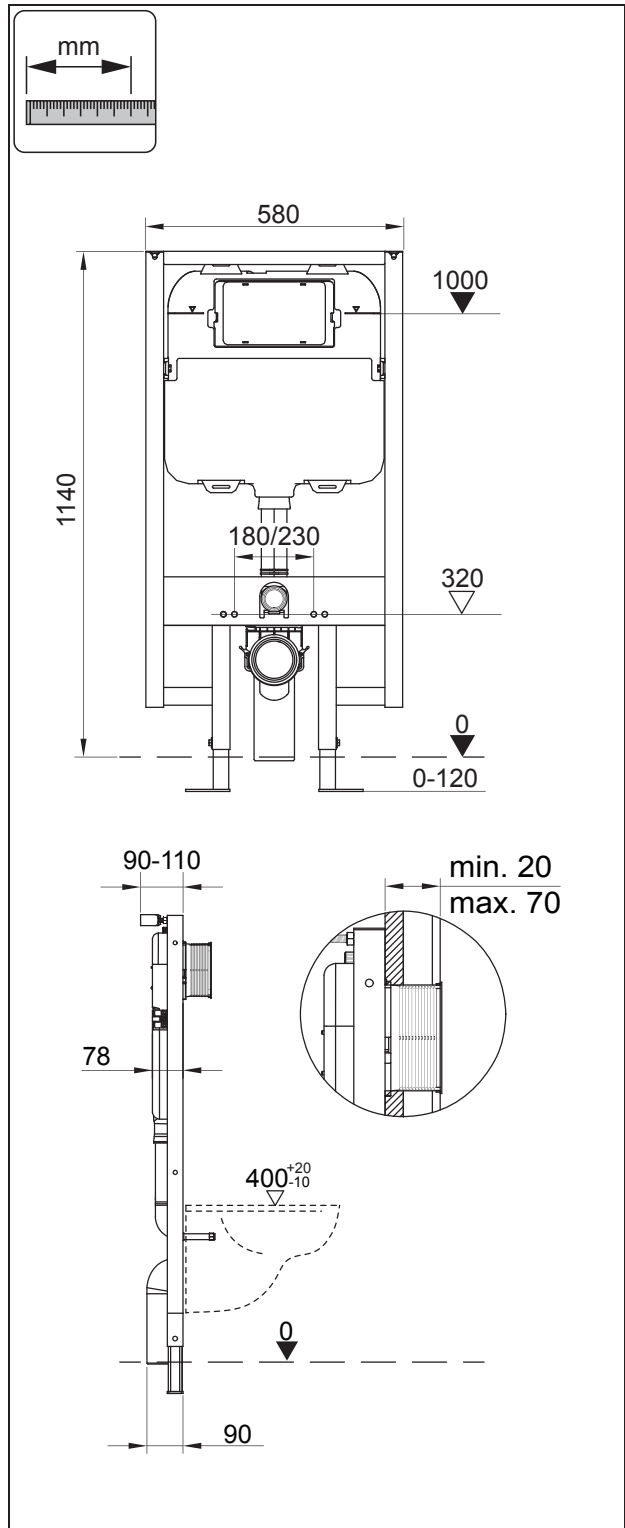
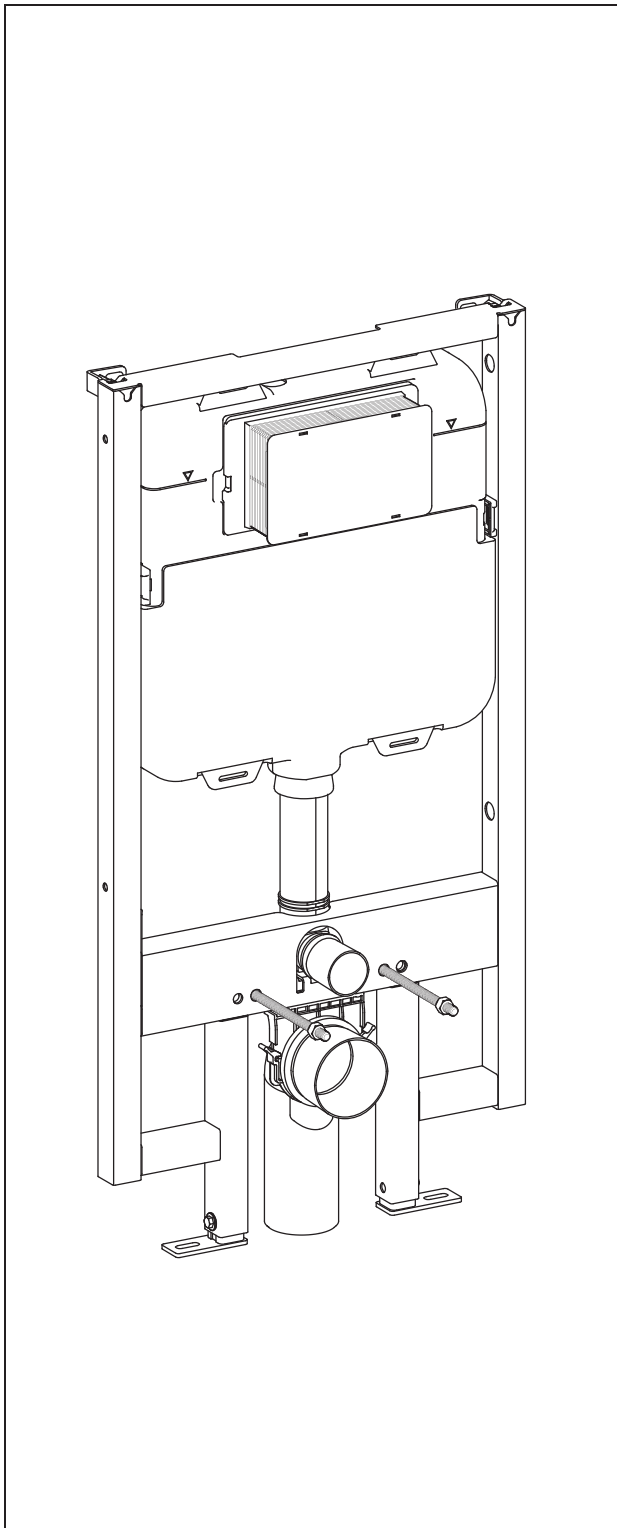


# **installation** instructions

bauhaus<sup>✕</sup>

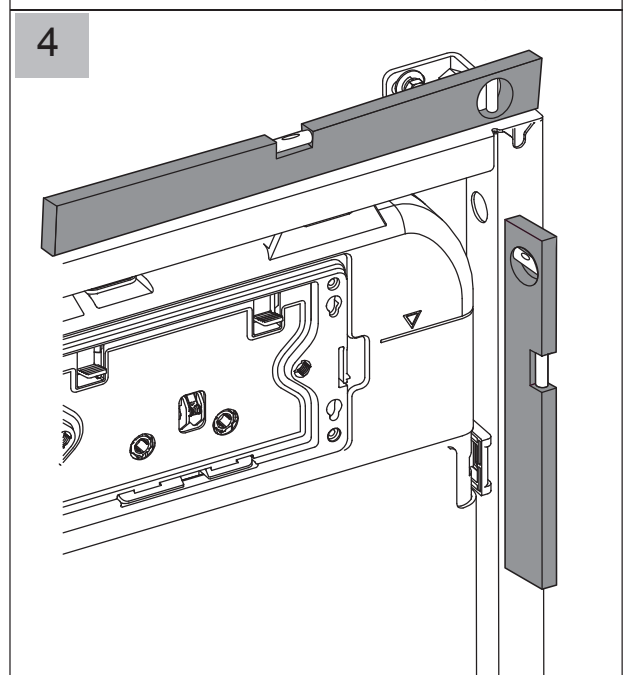
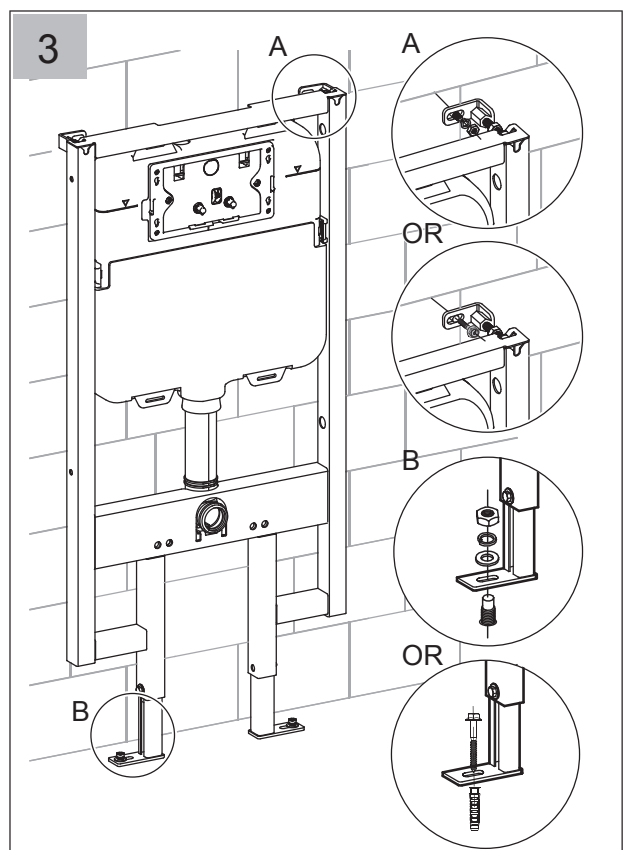
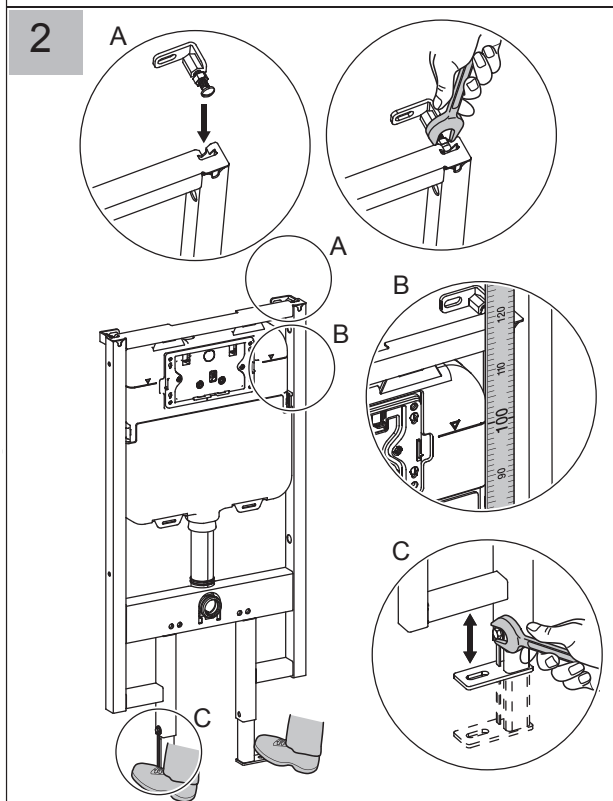
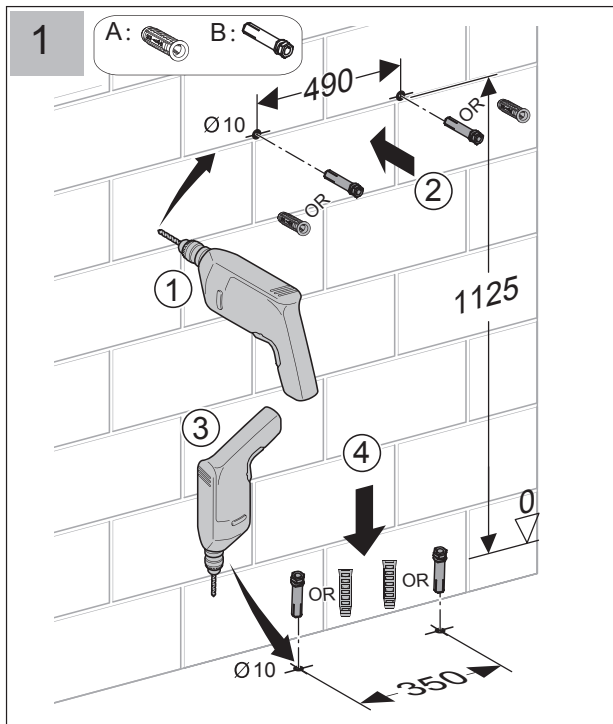


No.	Description	Quantity
1	Tank Component	1
2	Fixed Plate	1
3	Screw	4
4	Locking Plate	1
5	Gearing Bracket	1
6	Swing Arm	1
7	Swing Arm	1
8	Adjust nut	2
9	Baffle	1
10	Protection Frame	1
11	Protection Cover	1
12	Fill Sleeve	1
13	Fill Vavle	1
14	Fill Clip	1
15	Soft Pipe	1
16	Dual Flush	1
17	Angle Valve	1
18	Expansion bolt	6
19	Inlet Cover	1
20	Fixed Component	4
21	Frame	1
22	Hook	2
23	Foam(Back)	1
24	Foam(Front)	1
25	O-ring	1
26	Elbow Scour	1
27	Seal Ring	1
28	Embedded Part	1
29	Straight Scour	1
30	Seal Sleeve	1
31	Waste Elbow	1
32	Dual Cap	1
33	Embedded Part	1
34	Pipe Clip	1
35	Top Pipe Clip	1
36	Seal Ring	1
37	Straight Pipe	1
38	Seal Sleeve	1
39	Bolt Component	2
40	Plastic Washer	2
41	Washer	2
42	Nut Cap	2

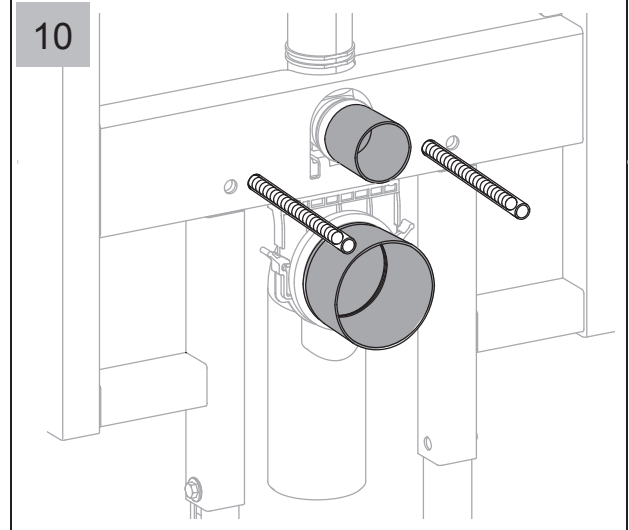
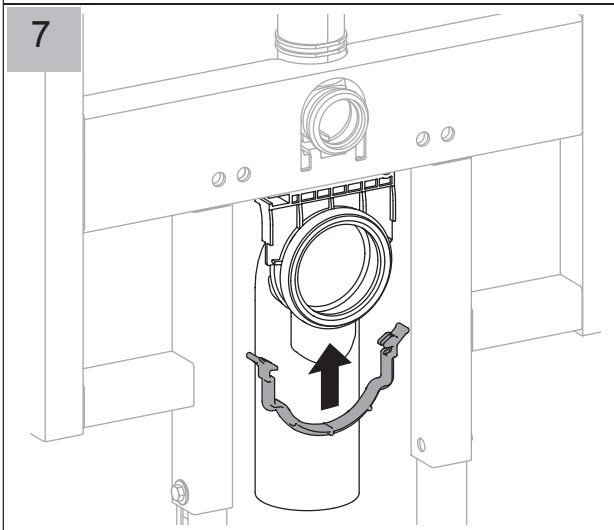
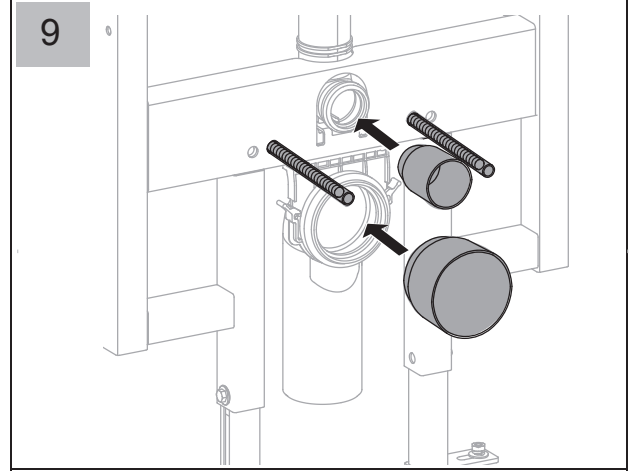
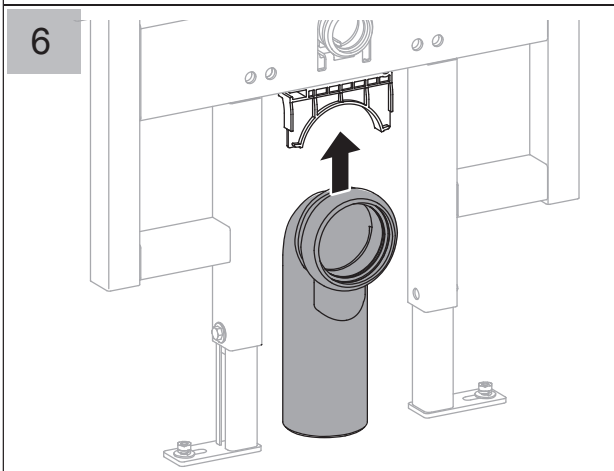
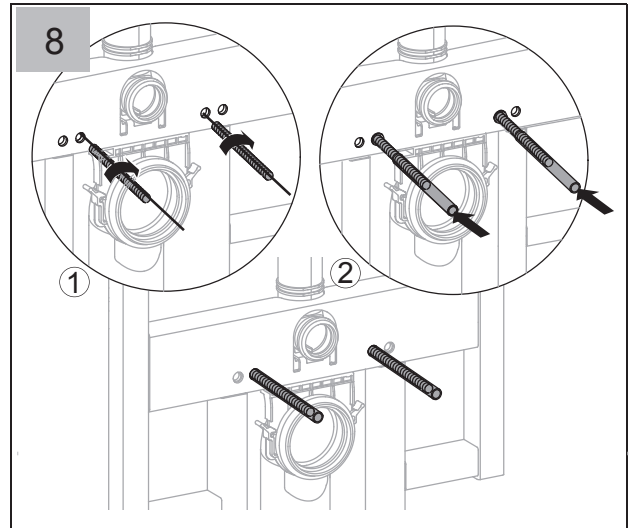
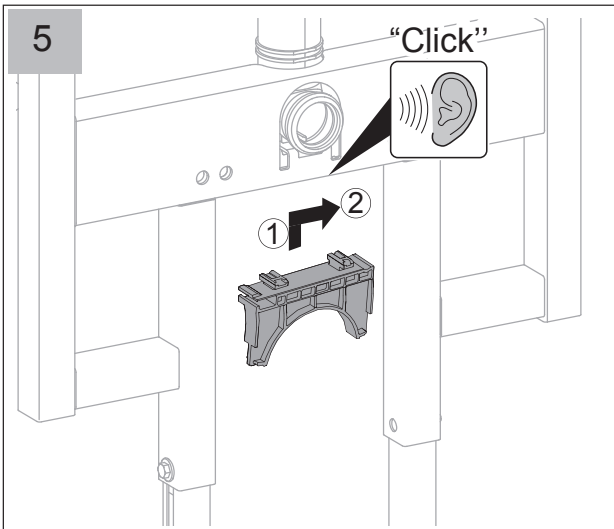


560416-\* 150916

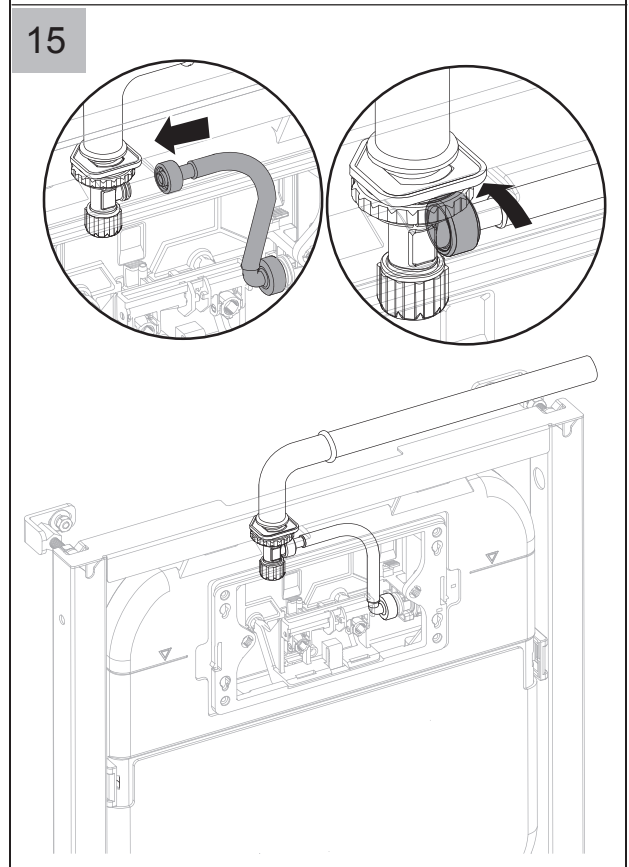
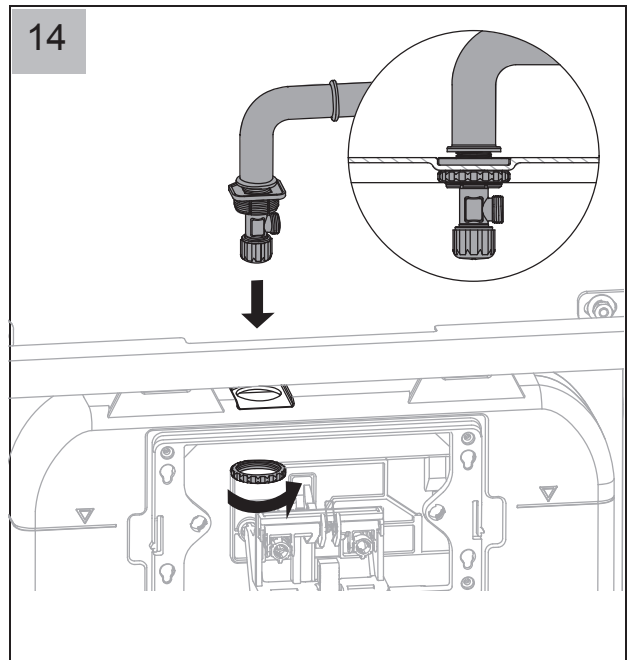
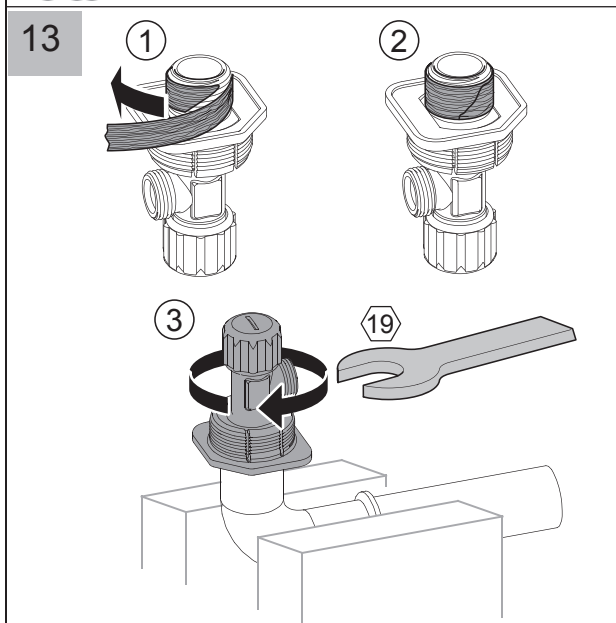
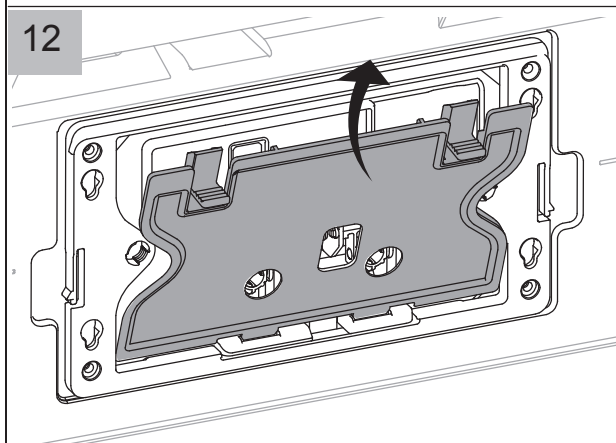
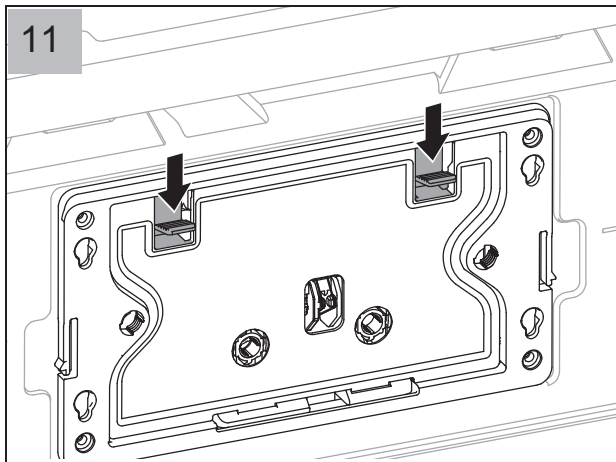
# Installation



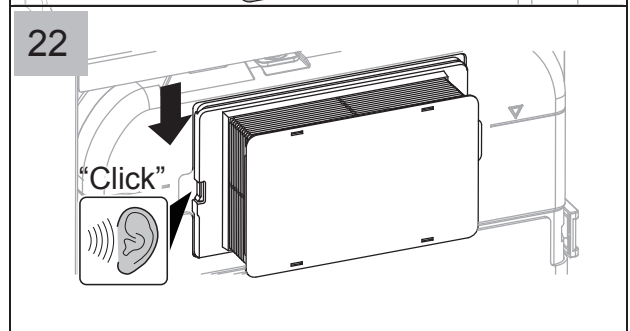
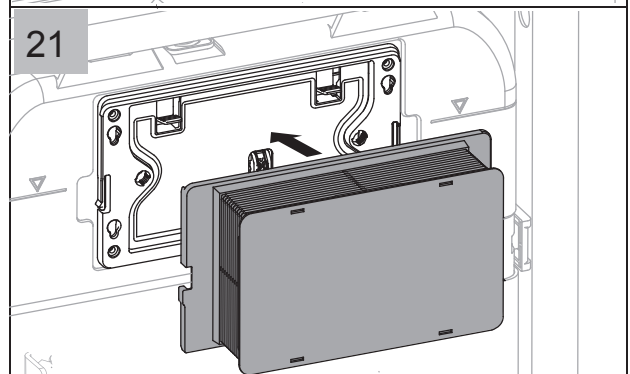
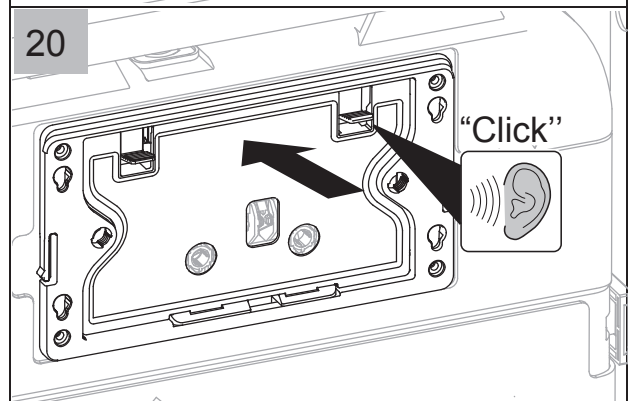
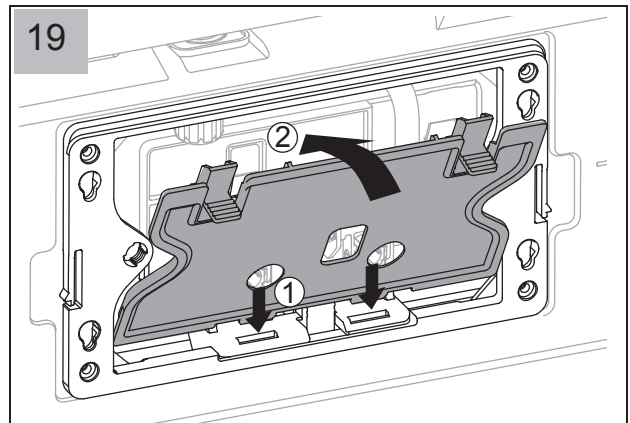
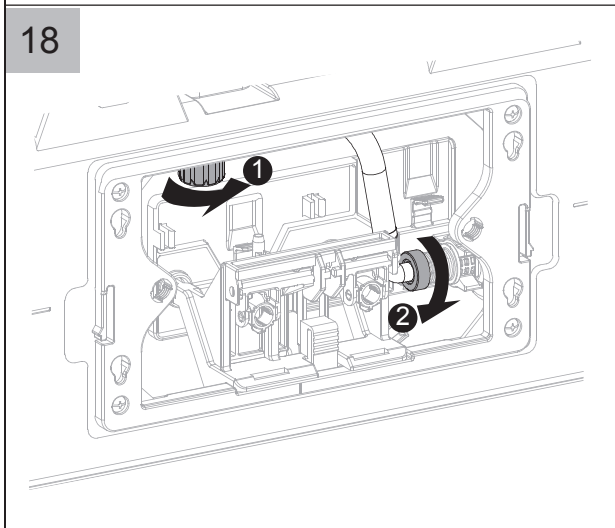
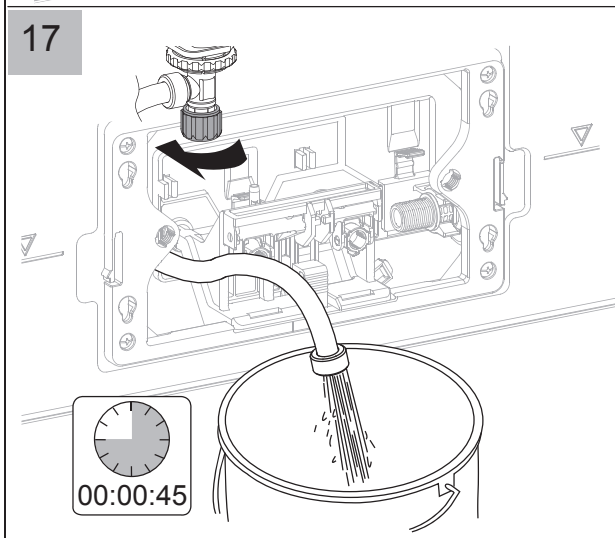
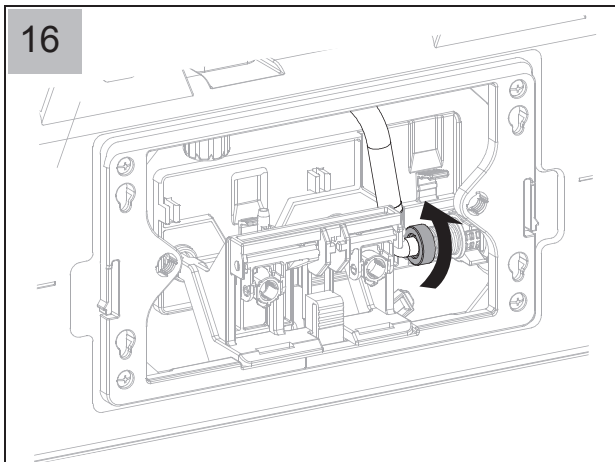
# Installation



# Installation

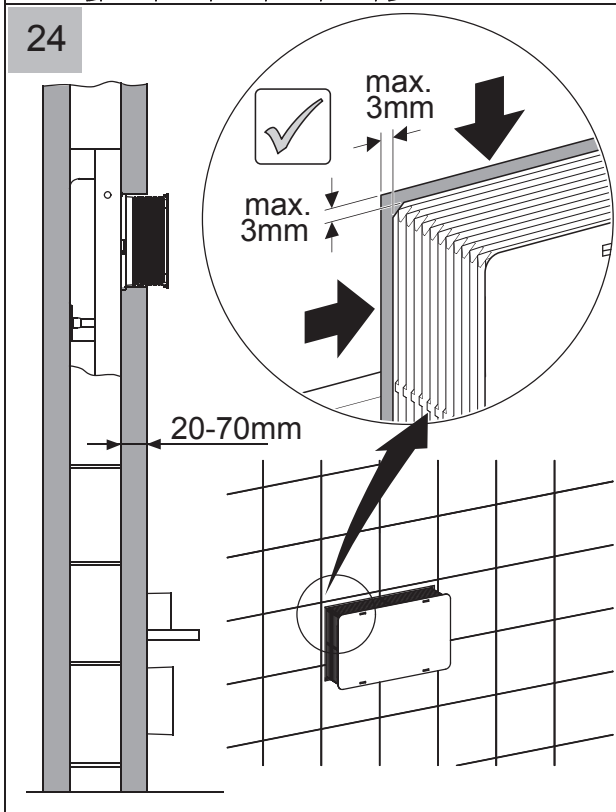
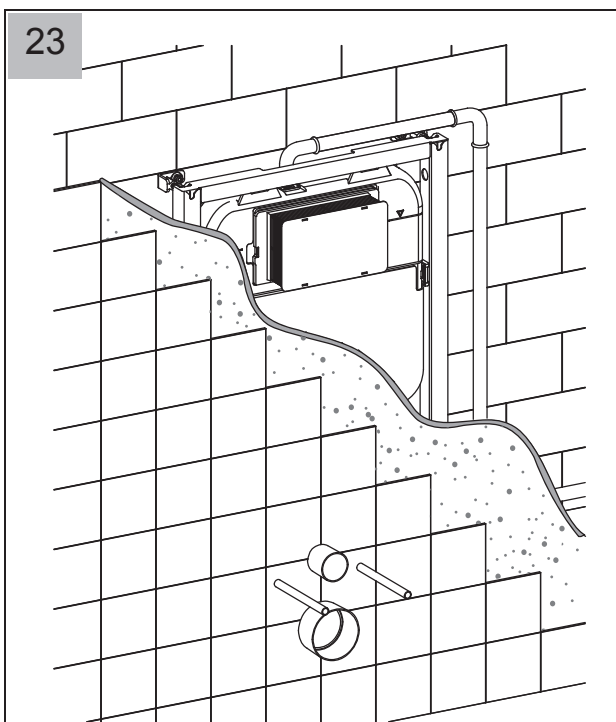


# Installation

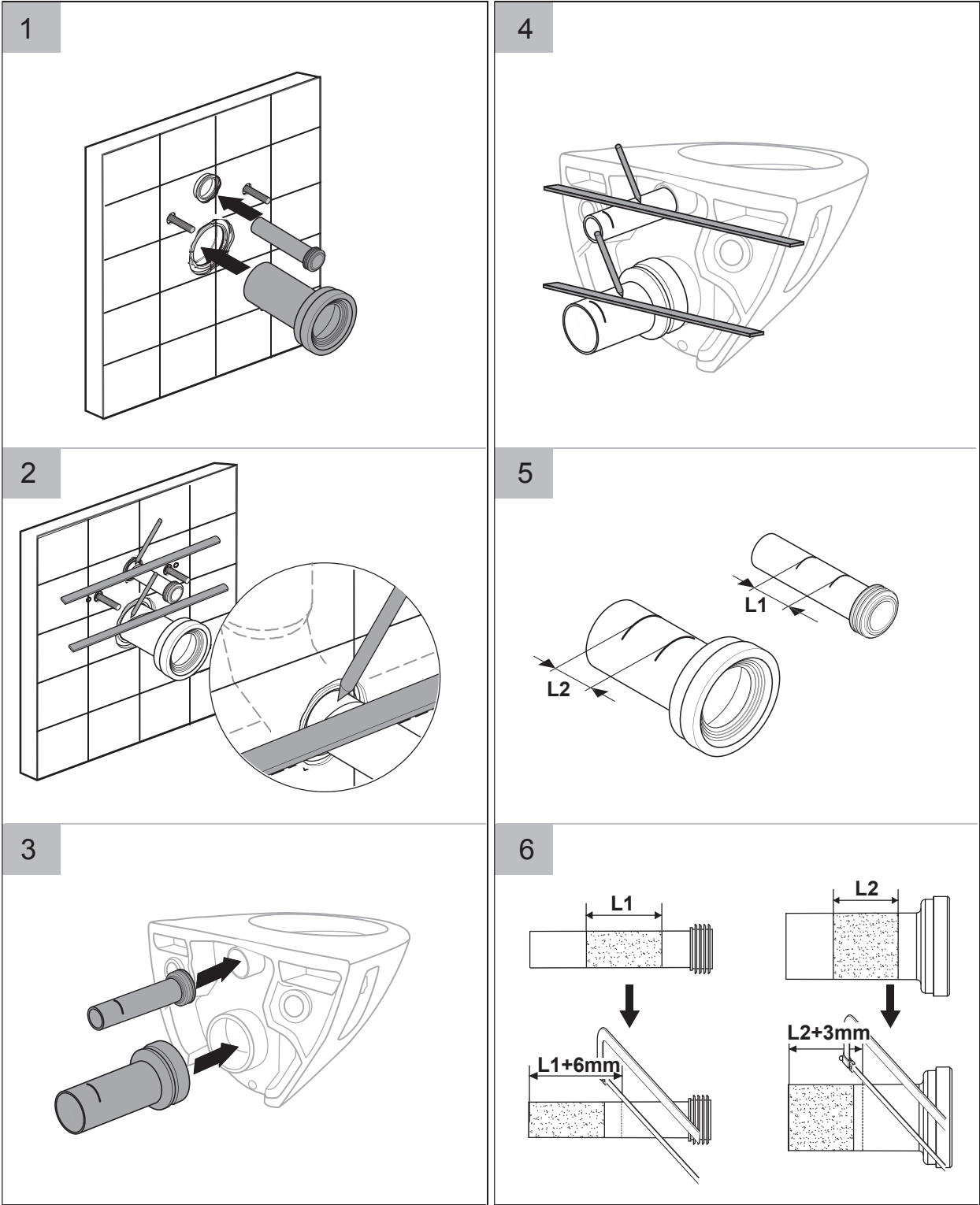




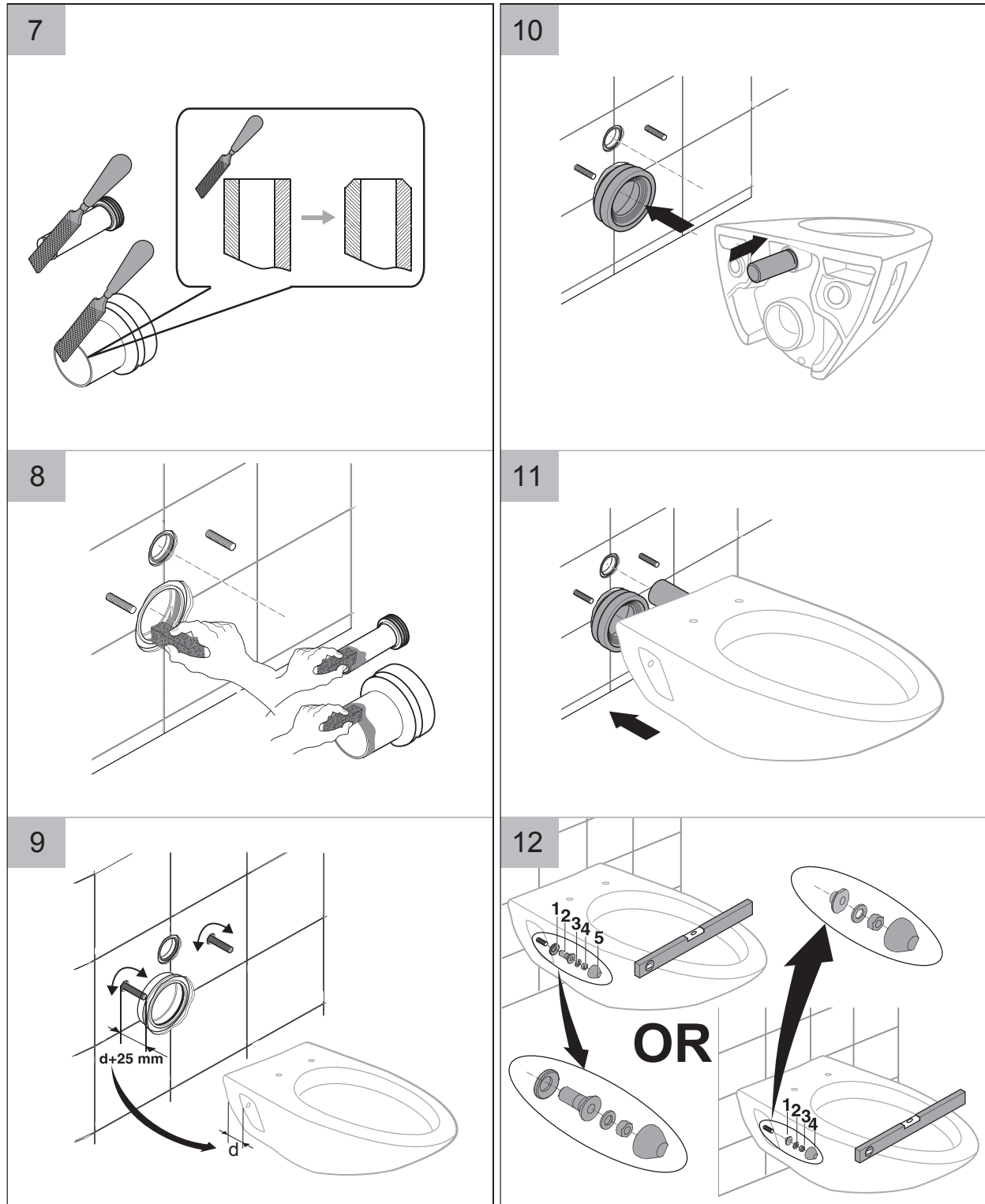
# Installation



# Installation



# Installation



For any further information please contact

Bauhaus on: **0845 873 8840**

Or visit our web-site at:

**[www.bauhaus-bathrooms.co.uk](http://www.bauhaus-bathrooms.co.uk)**

The manufacturer reserves the right to make technical modifications without prior notice.