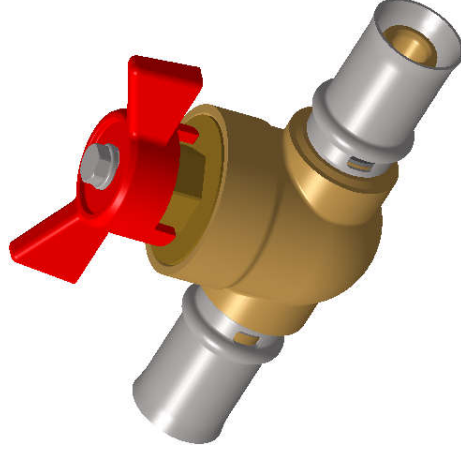
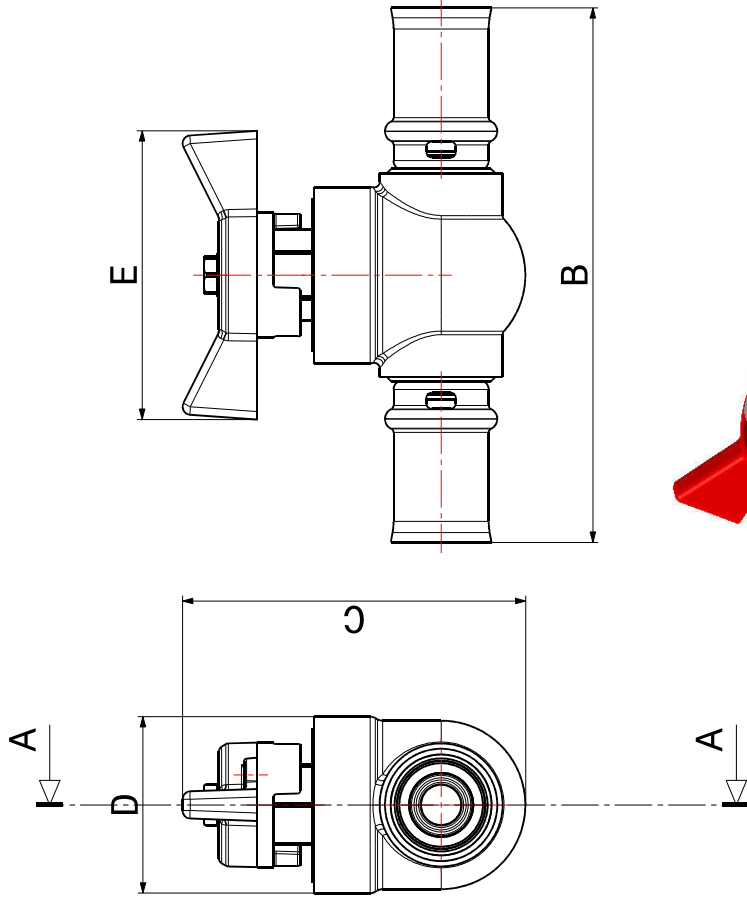


- Maximum operating pressure 10 BAR
- Temperature range min 0°C - max +95°C

CODE	A	B	C	D	E
660115	16x2	100	64	33	54
660116	20x2	100	64	33	54
660117	26x3	100	64	33	54



13	Bushing	2	Aisi 304 Stainless steel
12	O-Ring	4	EPDM 70 PEROX
11	Washer	2	PTFE
10	M4 Screw	1	Galvanised Iron
9	T handle	1	Lacquered aluminium
8	O-Ring 23,81x2,62	1	EPDM 70 PEROX
7	Upper part	1	CW617N UNI EN 12164
6	O-Ring 5,28x1,78	2	EPDM 70 PEROX
5	Stem	1	CW617N UNI EN 12164
4	Manouvre retainer	1	Stainless steel
3	Retainig ring	2	PTFE
2	Ball	1	CW617N UNI EN 12164 Chrome plated
1	Body	1	CW617N UNI EN 12165
POS.	PART NAME	N°	MATERIAL

DENOMINAZIONE	BUILT-IN BALL VALVE		
With "T" handle for multi-layer pipe			
Tolleranze Lineari	DATA		
<30 ± 0,1	MATERIALE	--	20-12-17
>30/120 ± 0,15	SCALA	1:1	
>120/400 ± 0,2	ART. ORIG.	--	
>400 ± 0,3	DIS.	---	4806
	CONTROLLO		

