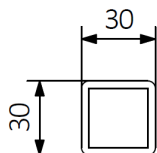
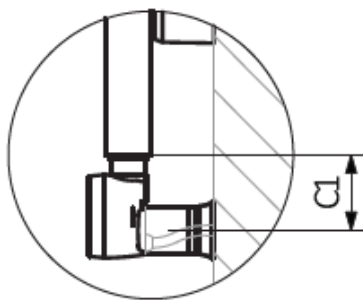
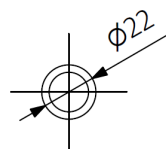


Collector :



Pipe :



Code	Colour	A	B	C1	D	E	F	Weight	Volume	He Output	Rating	Cut Out	Temp
		mm	mm	mm	mm	mm	mm	Kg	dm ³	W		Temp	Range
MP48X1140MWELEC	Matt White	1140	480	50	450	960	90	8.6	4.17	400	Class 1 IPX5	65°	30-60°
MP48X1140MBELEC	Matt Black	1140	480	50	450	960	90	8.6	4.17	400	Class 1 IPX5	65°	30-60°
MP48X1140FELEC	Brushed Brass*	1140	480	50	450	960	90	8.6	4.17	400	Class 1 IPX5	65°	30-60°

*The finish is epoxy powder coat

Why Choose Electric?

Our MPRO Electric towel warmers are supplied with a control dial, instead of a traditional valve, which includes innovative features:

- 5 temperature settings ranging from 30°C to 60°C.
- An electronic temperature sensor that guarantees precise temperature control
- Illuminated LED indicators display the set temperature level and the status of the heating
- Dryer/Boost on demand function allows the setting of a higher heating power for two hours, after which the element returns to the previous setting
- In the event of a power failure the element remembers the previous settings therefore making it suitable for connection to external timers

You can rely on the safety of our MPRO Electric towel warmers:

- The element is equipped with frost protection and double protection against overheating
- The display shows warning indicators in case of malfunction
- An active safety feature in case the rail runs dry
- Low power consumption in a standby mode

