

PROJECT TITLE

Ideavit Solid Surface Bathtubs Waste Pipe

ARTICLE NO.

PART OF THE 283730-N SPARE PART

DIMENSIONS(MILLIMETER)

940x 58.5 x 37

TOLERANCE(MILLIMETER)

±1

WEIGHT(KILOGRAMS)

-

SCALE

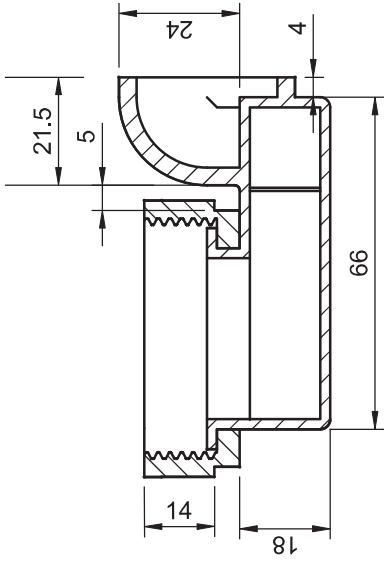
1:1

PAPER SIZE

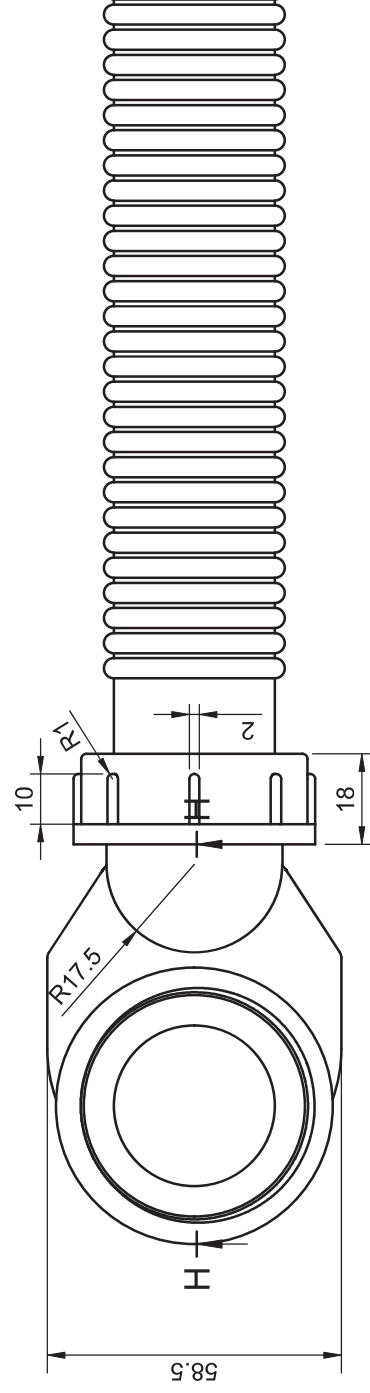
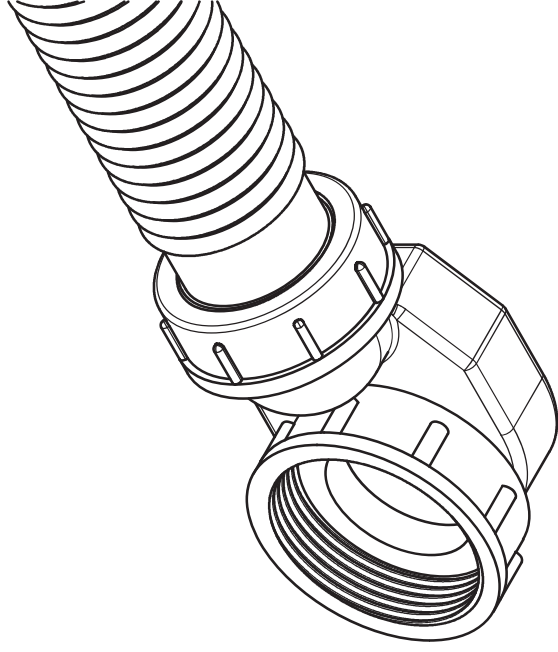
A3

REV.

A-01

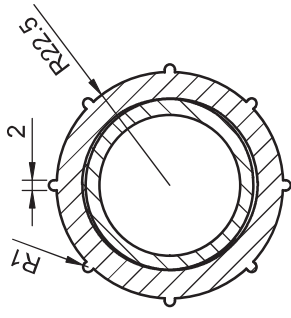


SECTION H-H

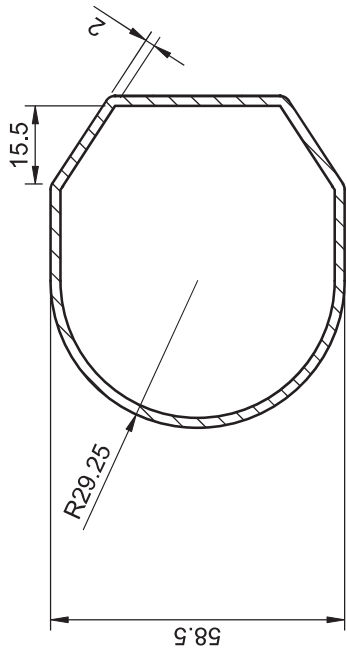


TOP VIEW

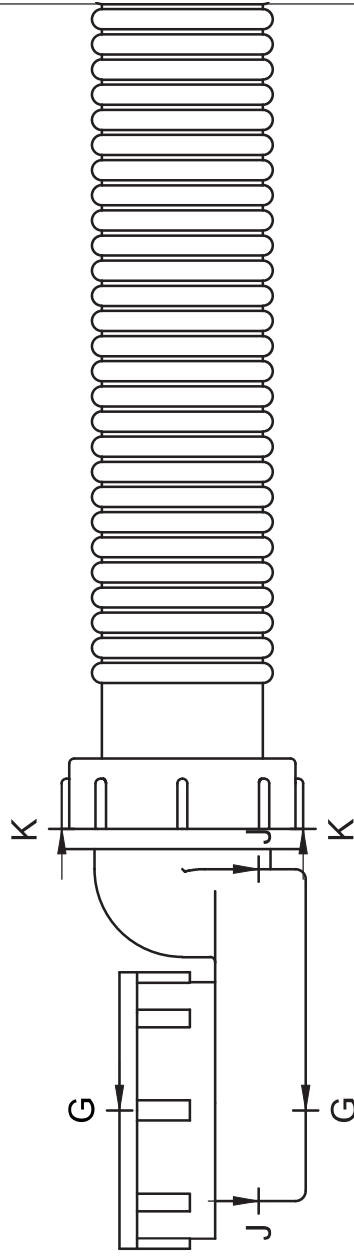
PROJECT TITLE	DIMENSIONS(MILLIMETER)	TOLERANCE(MILLIMETER)	WEIGHT(KILOGRAMS)	PAPER SIZE
Ideavit Solid Surface Bathtubs Waste Pipe	940x 58.5 x 37	±1	-	A3
ARTICLE NO.	PART OF THE 283730-N SPARE PART		SCALE	REV.
			1:1	A-01



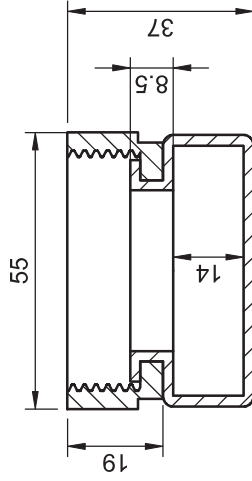
SECTION K-K



SECTION J-J

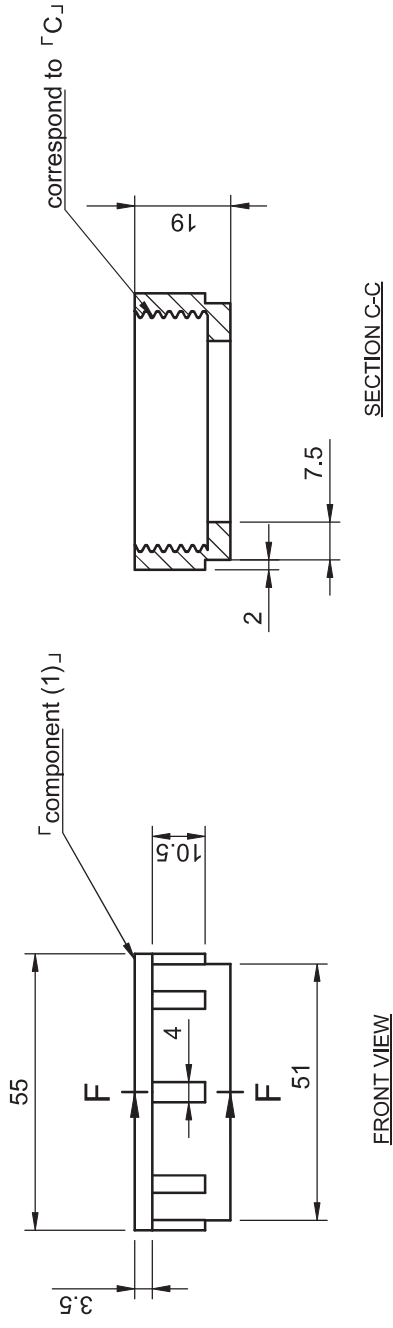


FRONT VIEW

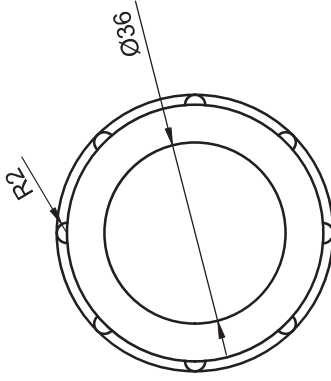


SECTION G-G

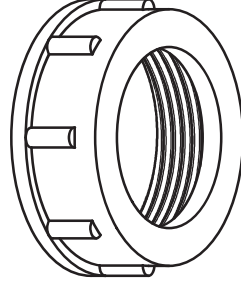
	PROJECT TITLE	DIMENSIONS(MILLIMETER)	TOLERANCE(MILLIMETER)	WEIGHT(KILOGRAMS)	PAPER SIZE
	Ideavit Solid Surface Bathtubs Waste Pipe	940x 58.5 x37	±1	-	A3
	ARTICLE NO.			SCALE	REV.
	PART OF THE 283730-N SPAREPART			1:1	A-01



FRONT VIEW



TOP VIEW



IDEAVIT	PROJECT TITLE	Bath tub Drain Set	DIMENSIONS(MILLIMETER)	55x 55 x 19	TOLERANCE(MILLIMETER)	±1	WEIGHT(KILOGRAMS)	-	PAPER SIZE	A3
	ARTICLE NO.	283730-N					SCALE	1:1	REV.	A-01