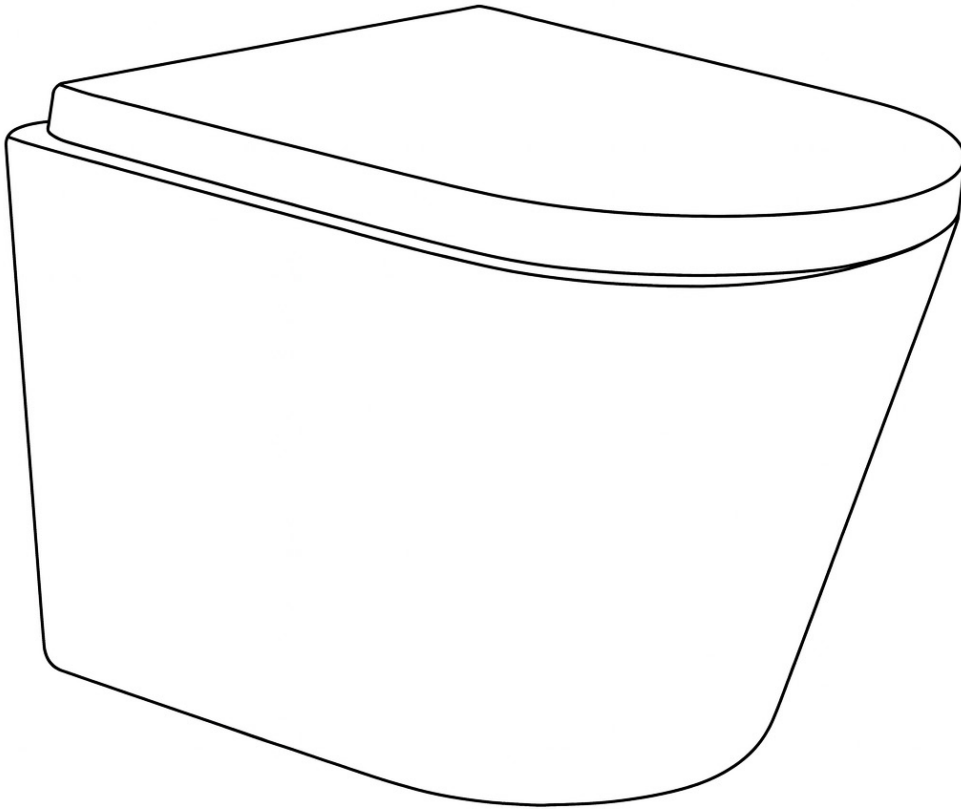
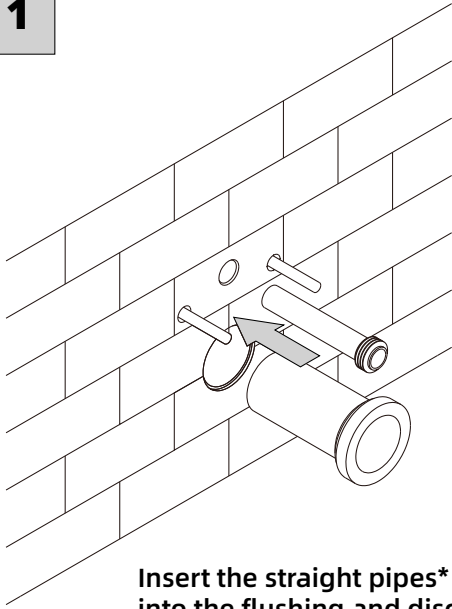


Installation Manual

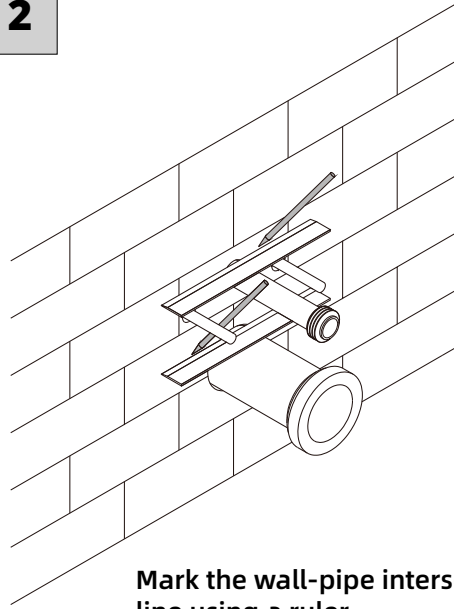
QeramiQ Wave Arc Toilet



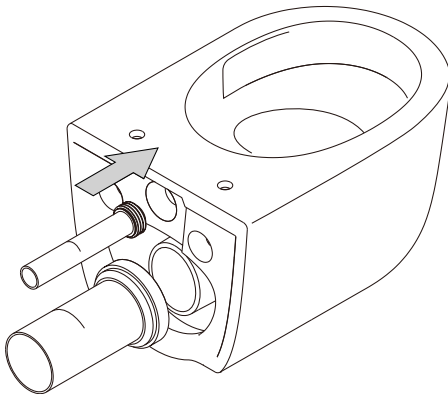
Q E R A M I Q

1

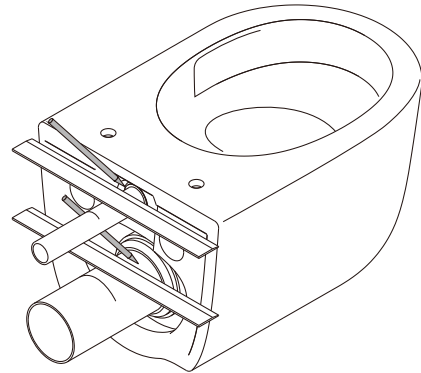
Insert the straight pipes* fully into the flushing and discharging outlets of the cistern.

2

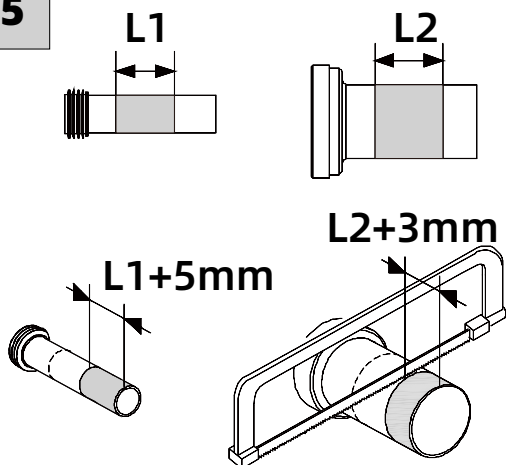
Mark the wall-pipe intersection line using a ruler.

3

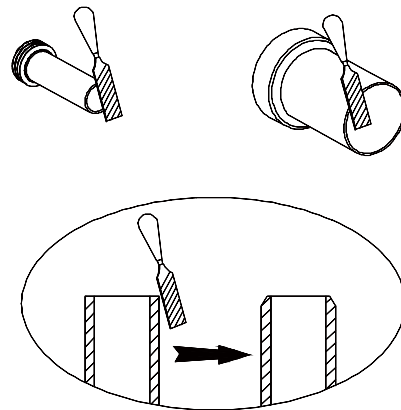
Lubricate the rubber washer on the straight pipes, then insert it into the ceramic inlet and outlet holes.

4

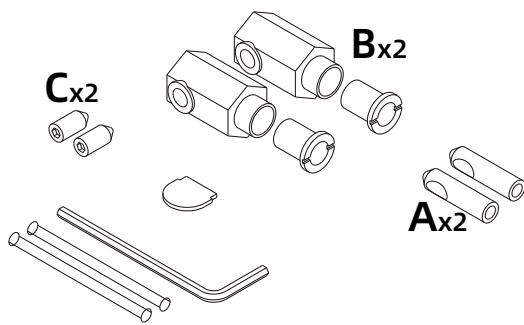
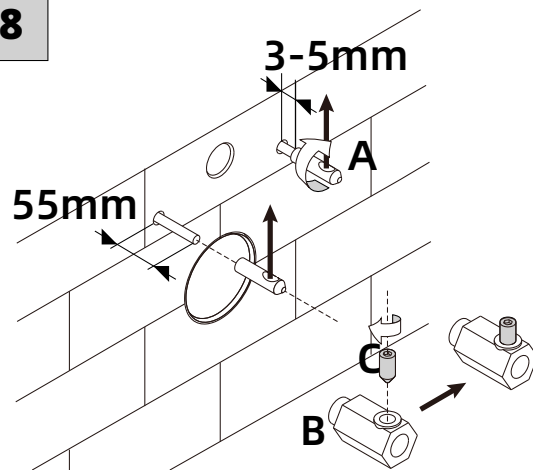
Place a ruler against the ceramic back wall and mark the intersection line on the pipes.

5

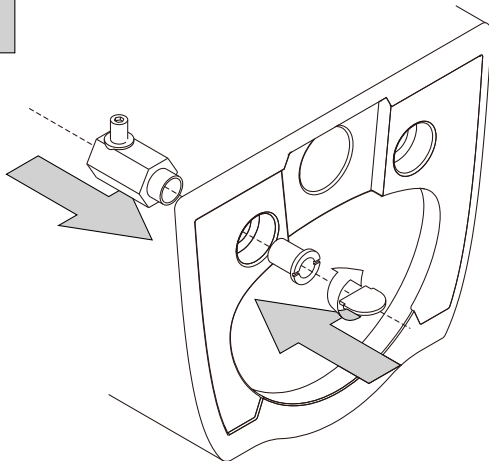
Measure the distance between the two reference lines on each pipes and record them as L1 and L2. Cut the pipes according to the indicated lengths.

6

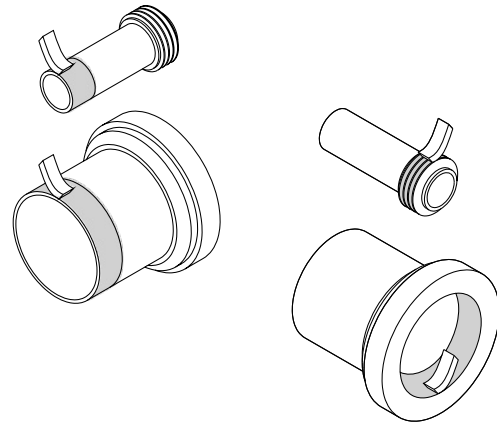
Grind the cut surfaces of both straight pipes to form chamfers and remove burrs. Apply lubricant to all joint surfaces.

7**8**

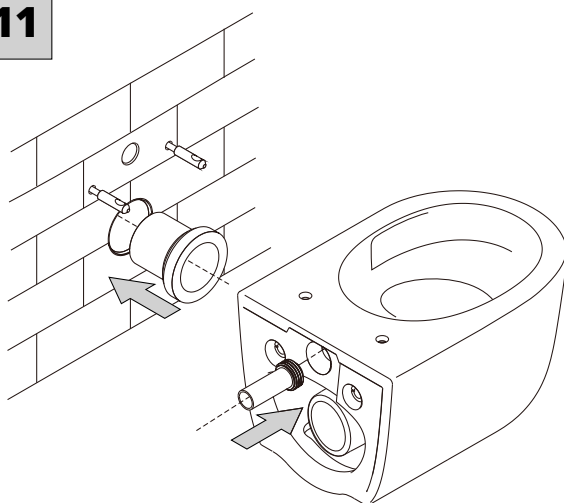
- Screw the rod to the length shown in the illustration, then fasten screw A, leaving a 3-5 mm gap with the notch facing upwards.
- Temporarily screw part C onto part B to prevent it from slipping off.

9

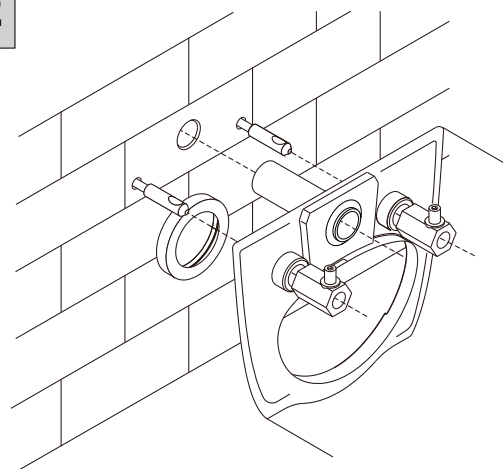
Insert the two parts of A through the ceramic mounting hole and connect them. Use the included tool D to tighten, ensuring that the opening of part C faces upward.

10

Evenly apply lubricant to all connection points between the straight pipe and both the cistern and the ceramic body.

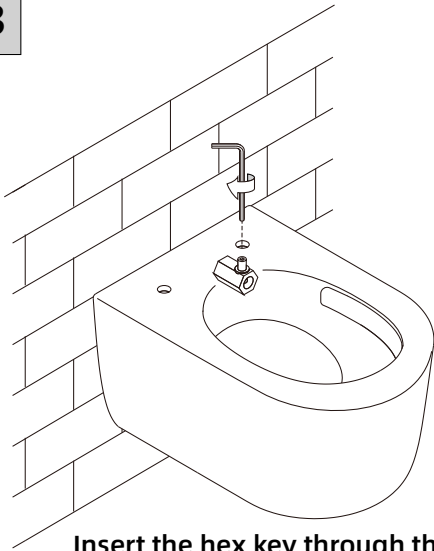
11

Insert the waste straight pipe into the cistern's waste outlet, and the inlet straight pipe into the toilet's flushing outlet.

12

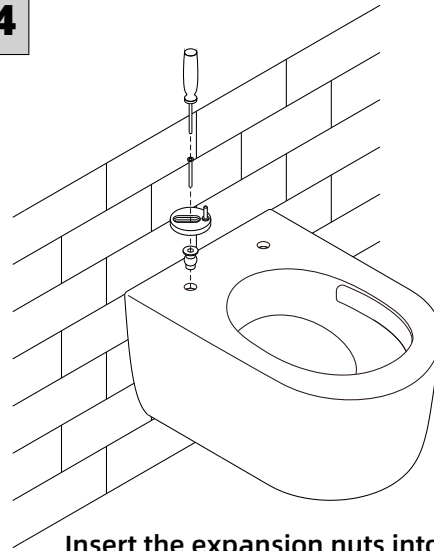
Align the installation hole with the cistern mounting bolt (i.e., part B with part A) and insert. Ensure that both the water inlet and waste outlet are securely connected.

13



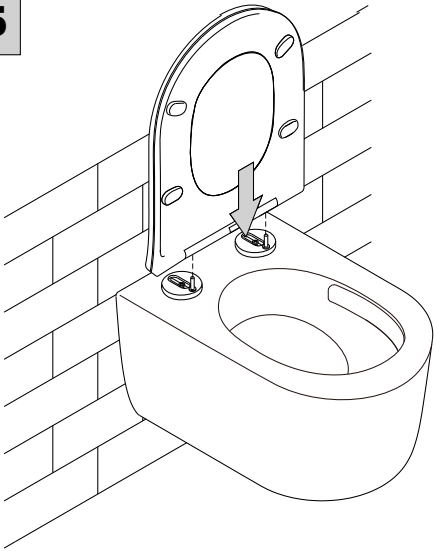
Insert the hex key through the screw holes of the seat cover and tighten screw C to ensure the toilet is securely installed.

14



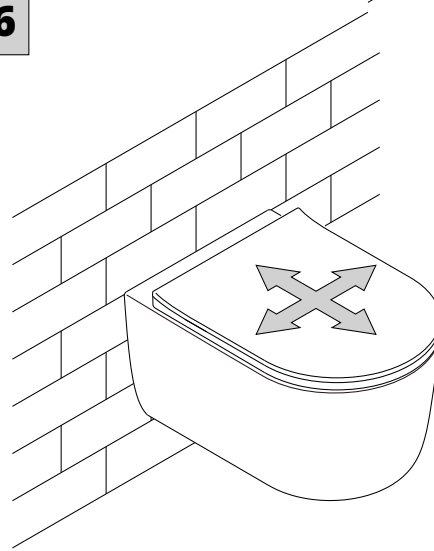
Insert the expansion nuts into the seat cover screw holes and secure the hinge bases onto them, leaving some room for adjustment.

15



Insert the seat cover.

16



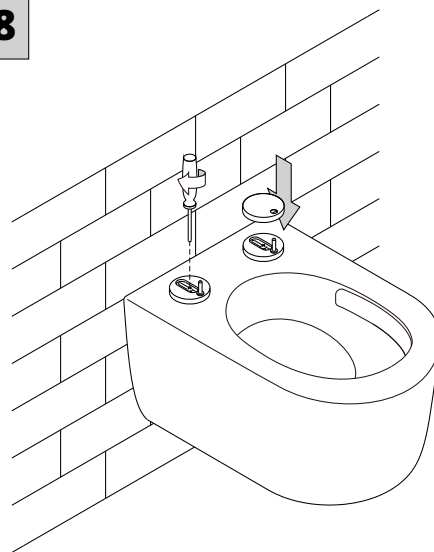
Adjust the seat cover position to align it with the toilet.

17



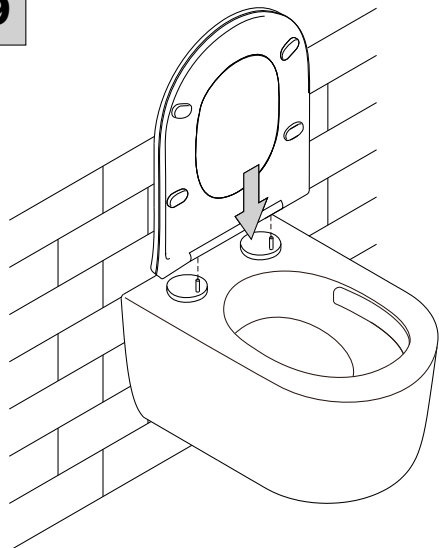
Press the quick-release button to remove the seat cover.

18



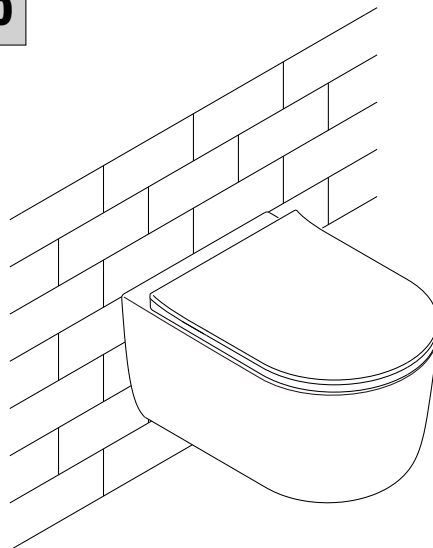
Secure the hinge base and cover with the decorative cap.

19



Reinsert the seat cover into the hinge base.

20



Assembly complete.