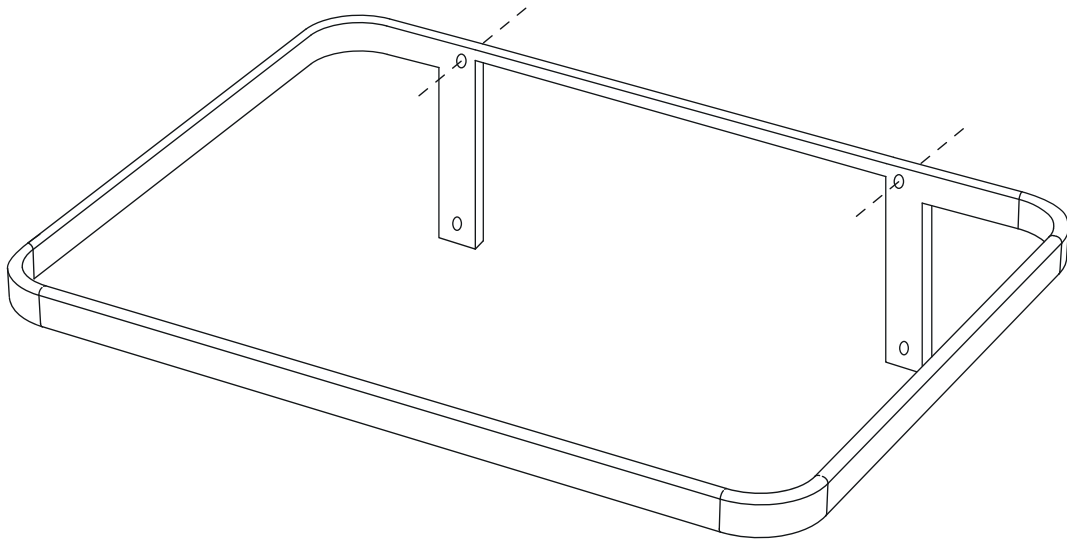
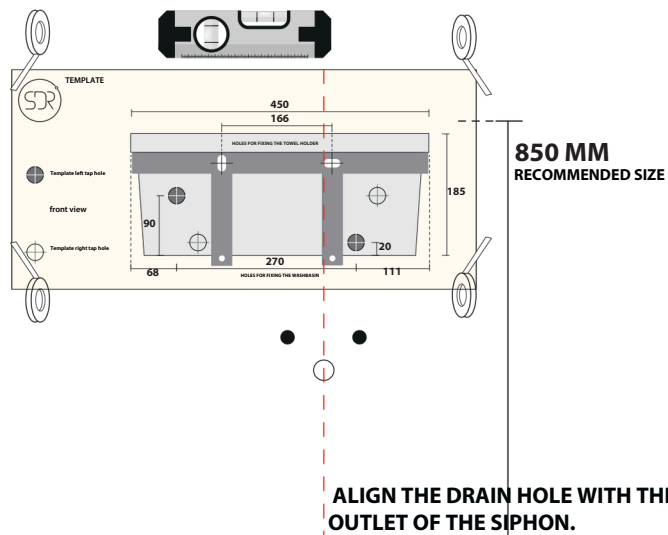


# INSTALLATION MANUAL

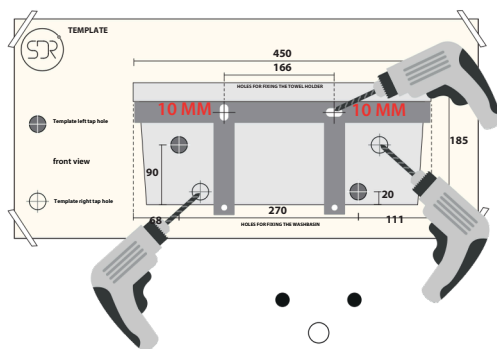


QERAMIQ

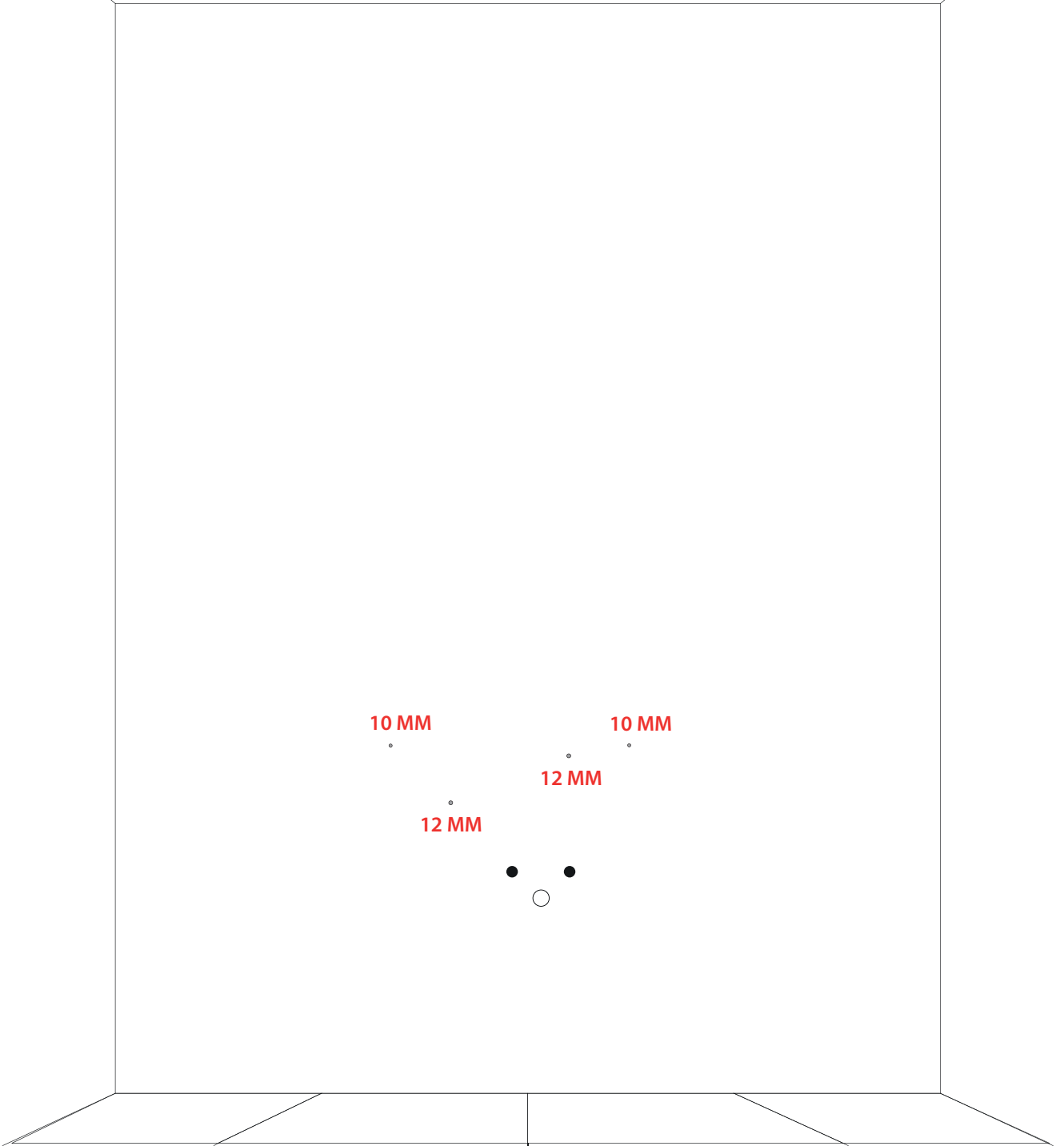
- 1** TEMPLATE, AFTER ADJUSTING WITH THE LEVEL, BLOCK THE TEMPLATE WITH ADHESIVE TAPE, ALIGN THE DRAIN HOLE WITH THE WALL OUTLET OF THE SIPHON..



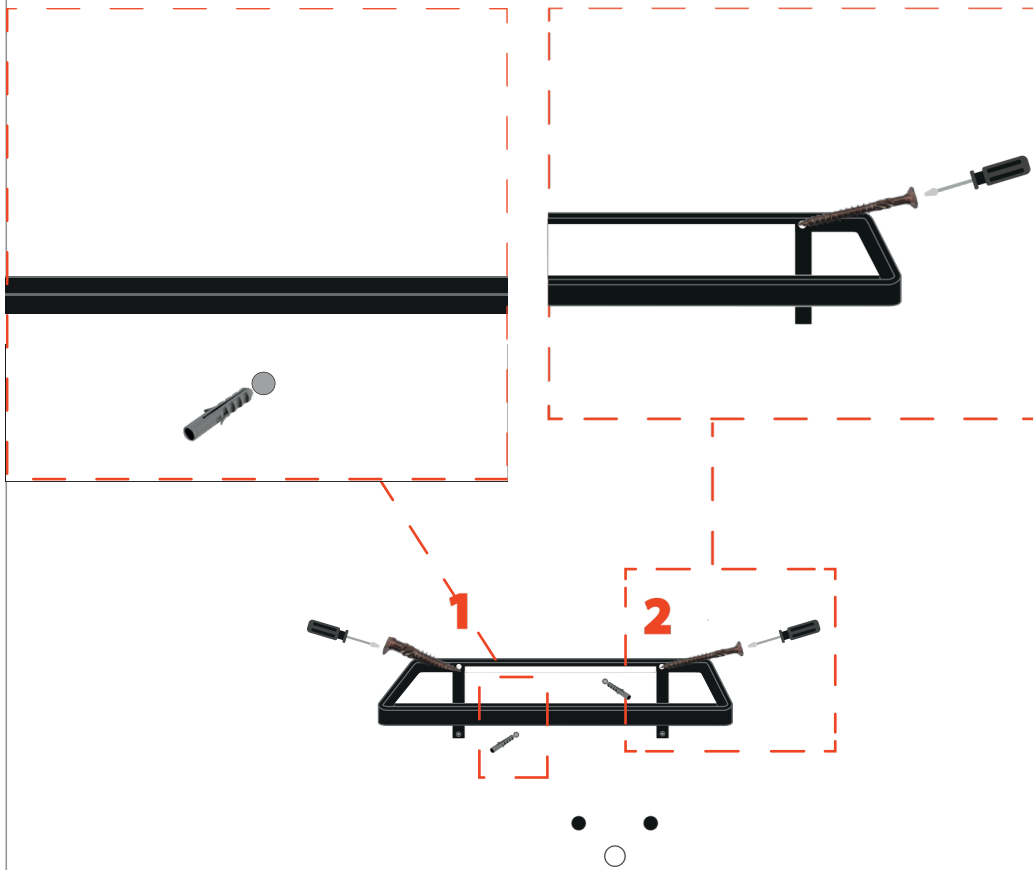
**2** DRILL WITH A 12 MM DRILL FOR WASHBASIN FIXING AND DRILL WITH A 10 MM DRILL FOR TOWEL RACK FIXING.



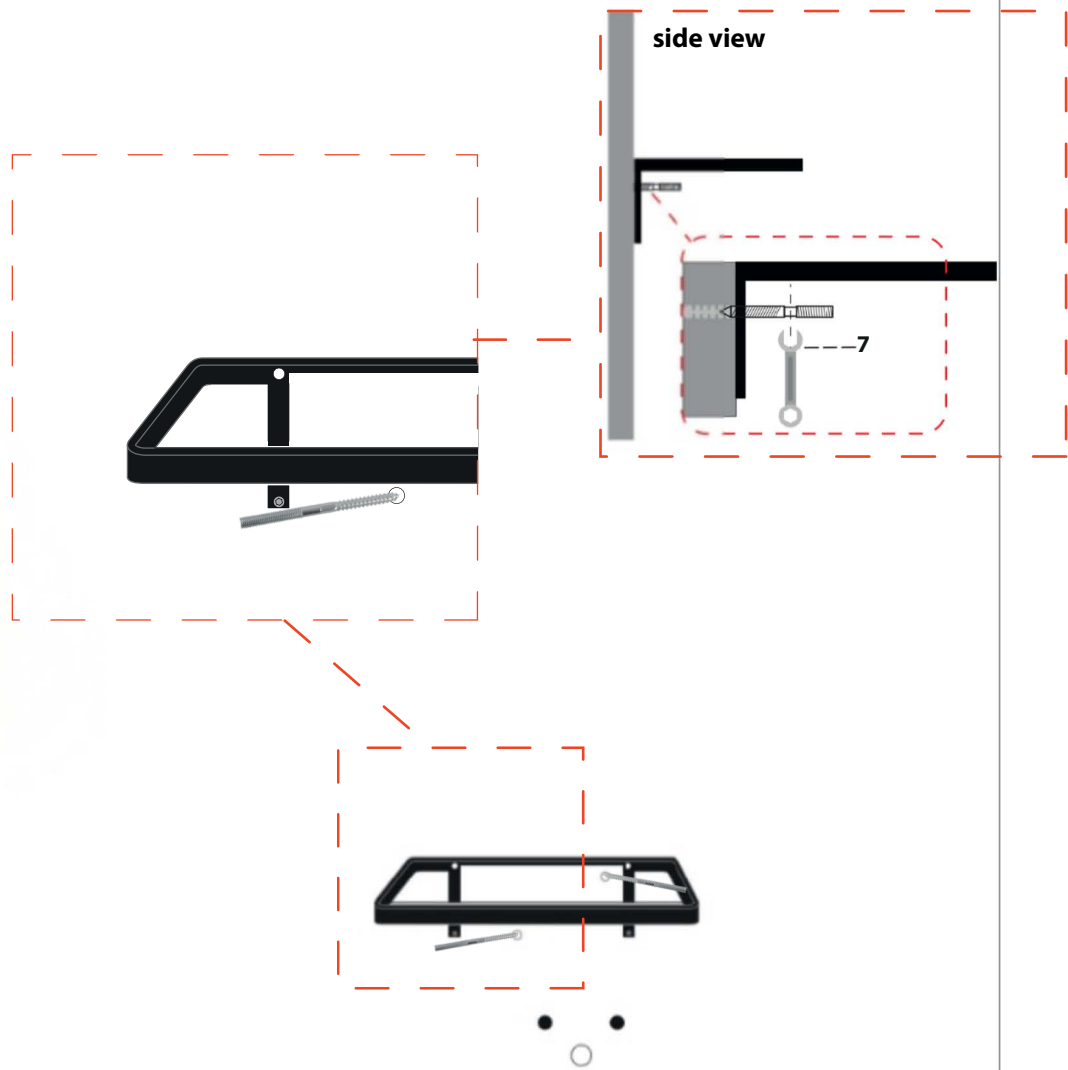
### 3 REMOVE THE TEMPLATE AFTER DRILLING.



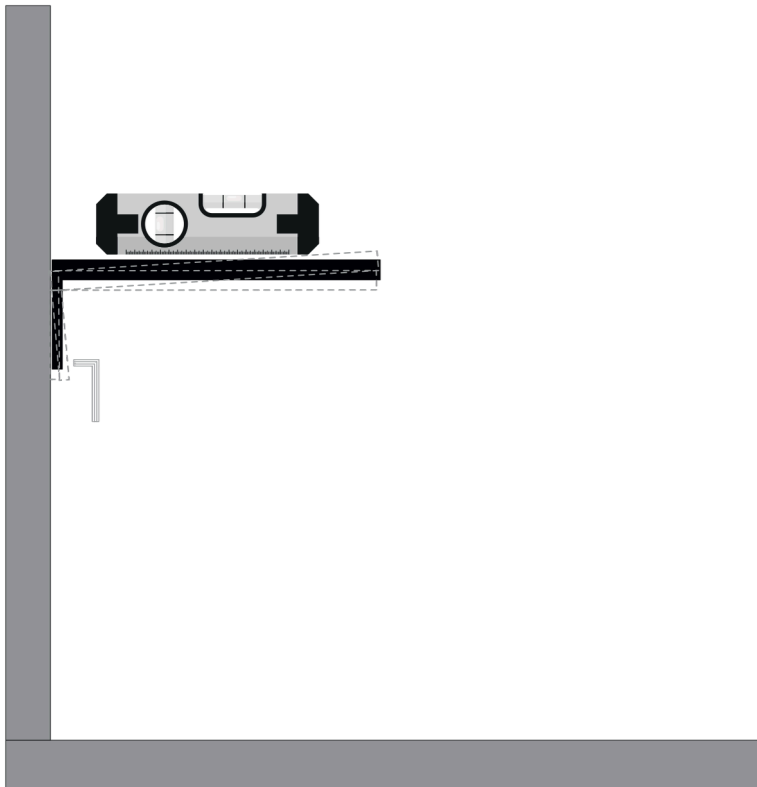
**4** SCREW THE TOWEL HOLDER WITH THE 10 MM SCREWS SUPPLIED AND INSERT THE SINK CAPS INTO THE HOLES.



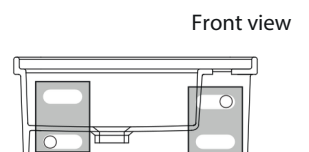
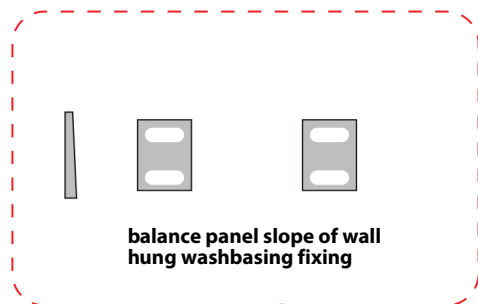
**5** INSERT THE SCREW INTO THE PLUG TO FIX THE SINK.



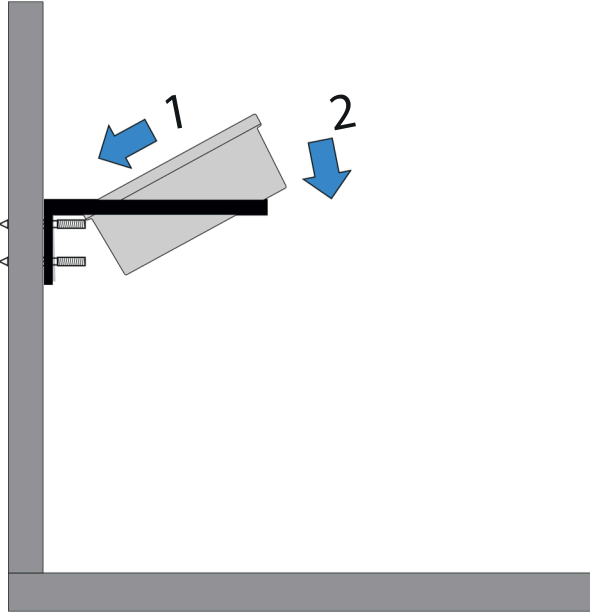
# 6 LEVEL ( USE THE BOTTOM SCREW IF NECESSARY ).



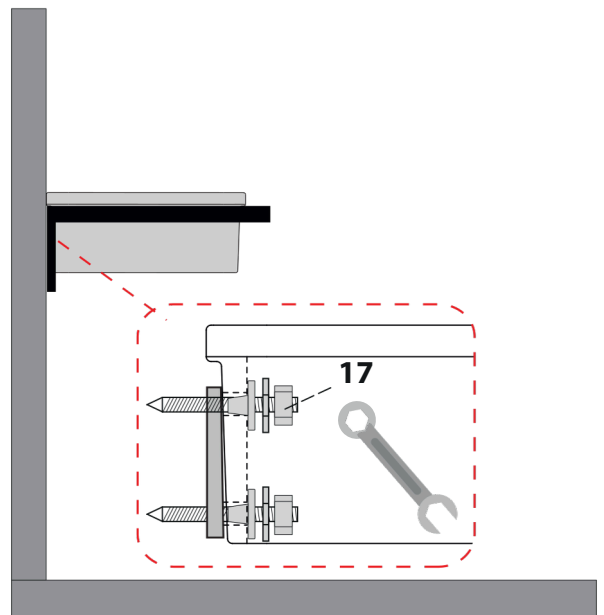
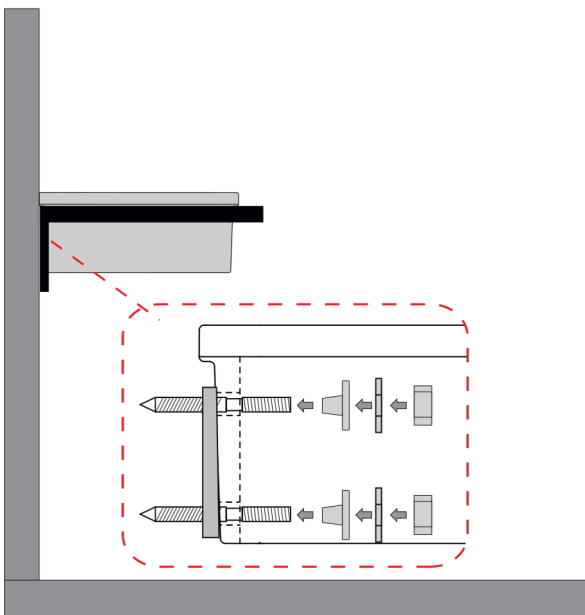
# 7 INSERT THE ANCHORS AND TWO ADAPTERS TO INSTALL THE BASIN.



**8** INSERT THE SINK DIAGONALLY.



**9** PLACE FIRST THE PLASTIC WASHER, THEN THE METAL ONE AND SCREW WITH A 17 WRENCH.



# 10 WE SUGGEST A SILICONE THREAD TO PREVENT WATER INFILTRATION

