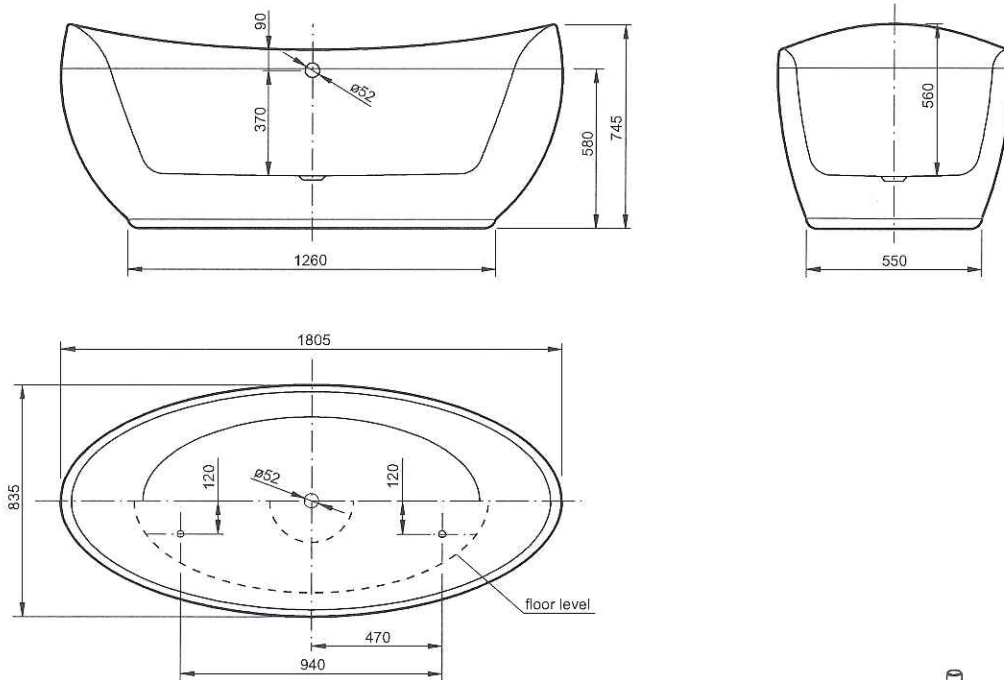


1x



1x

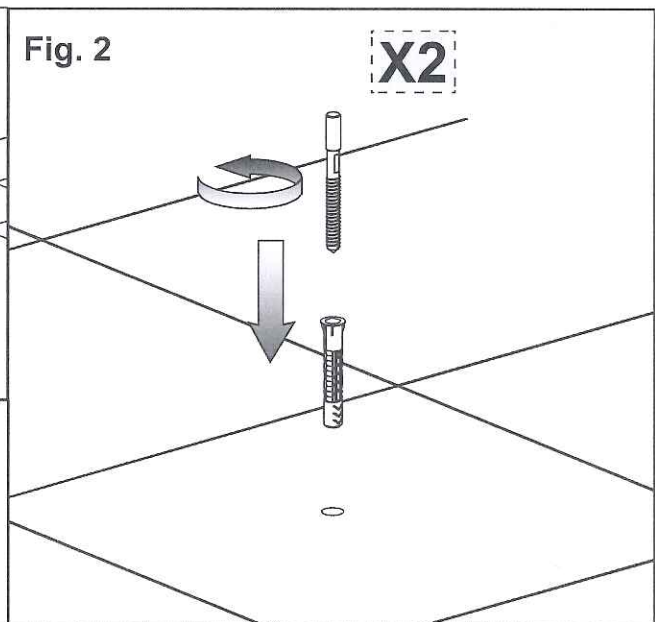
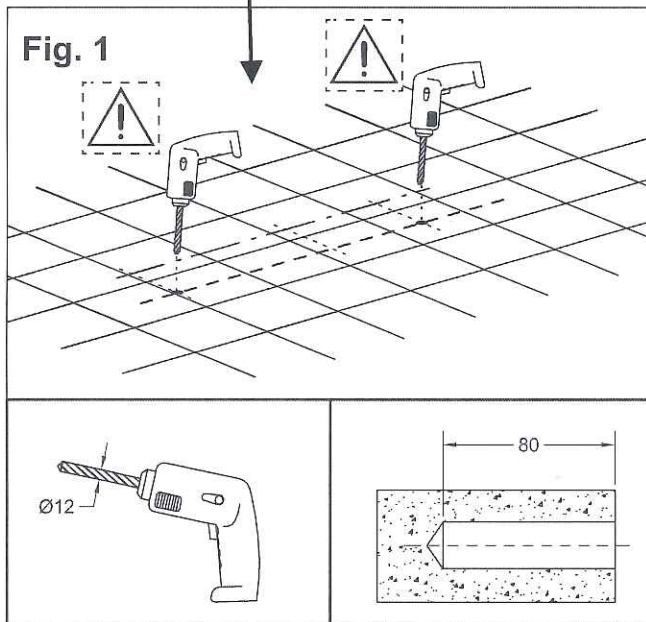
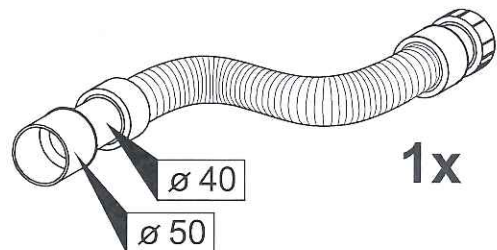
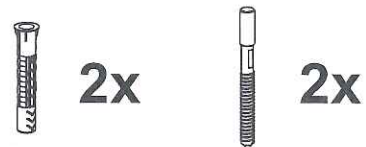
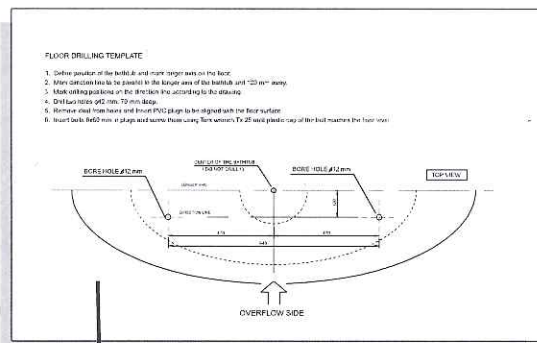


Fig. 3

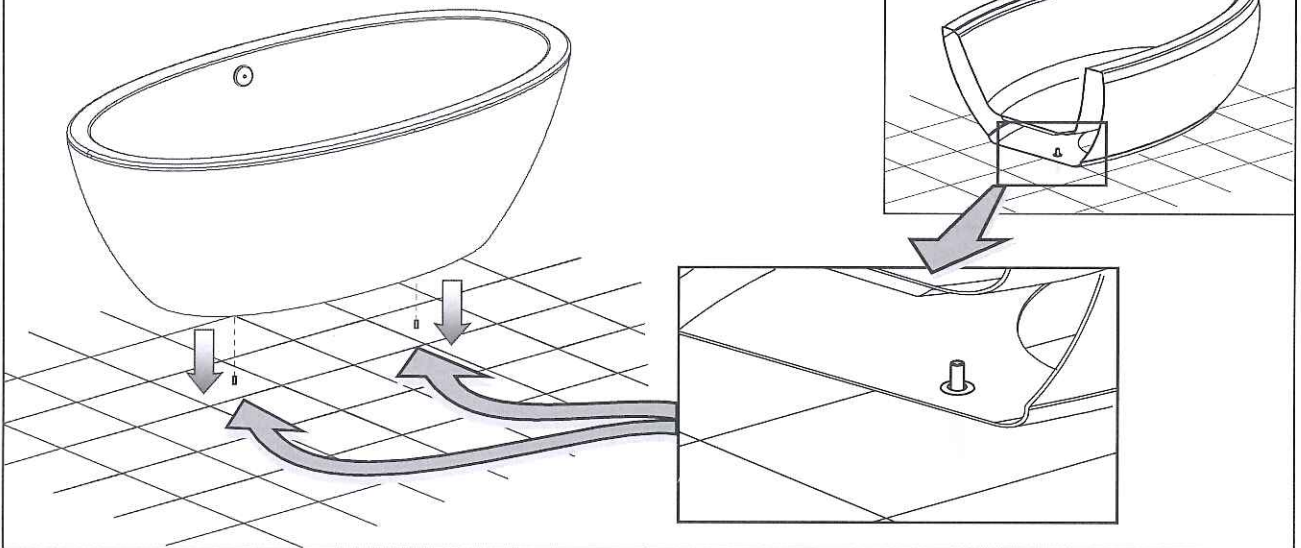


Fig. 4

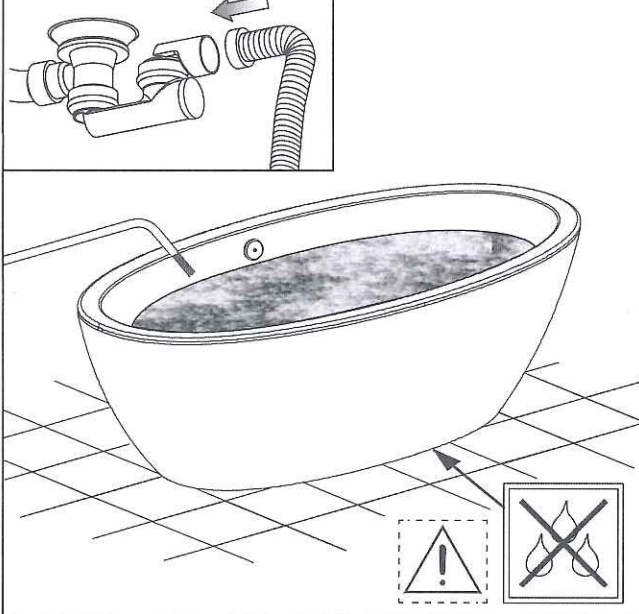
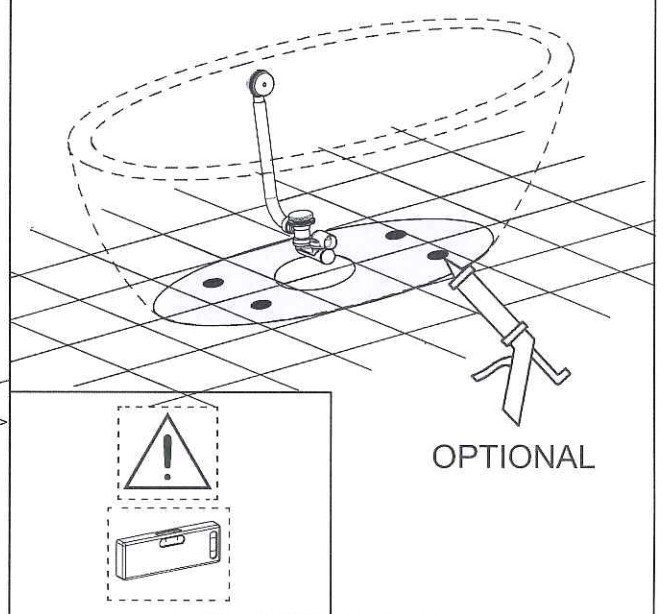


Fig. 5



**OPTION :**

Fig. 6

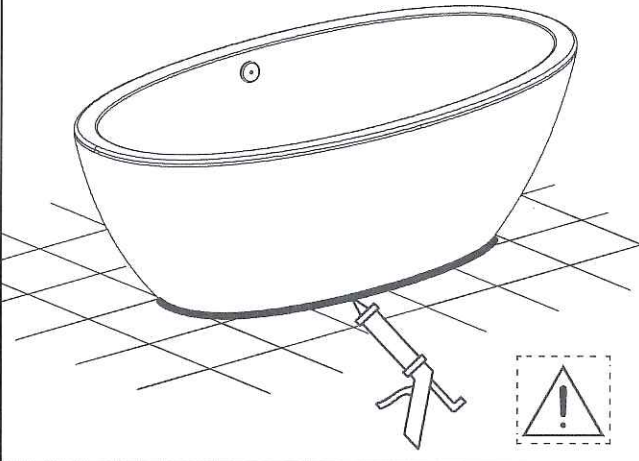


Fig. 7



1. Define position of the bathtub and mark longer axis on the floor.
2. Mark direction line to be parallel to the longer axis of the bathtub and 120 mm away.
4. Mark drilling positions on the direction line according to the drawing.
5. Drill two holes  $\phi 12$  mm, 70 mm deep.
6. Remove dust from holes and Insert PVC plugs to be aligned with the floor surface.
7. Insert bolts 8x60 mm in plugs and screw them using Torx wrench Tx 25 until plastic cap of the bolt reaches the floor level.

