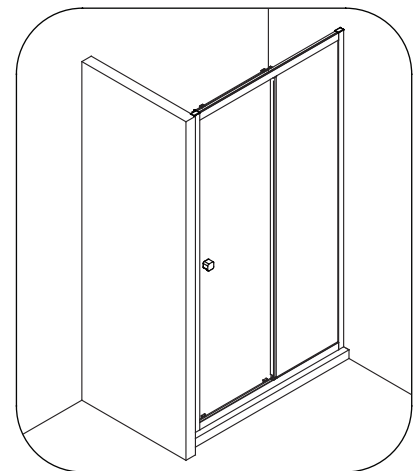
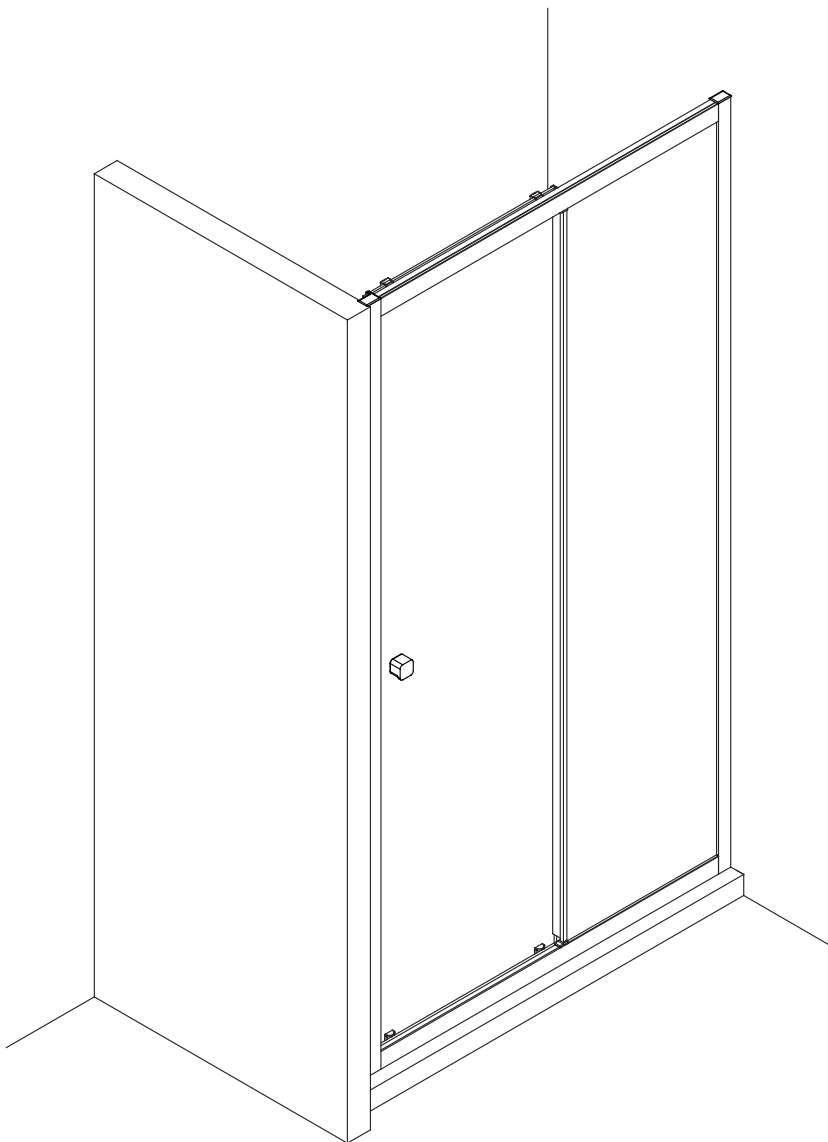


CLEAR 6 SLIDER SINGLE

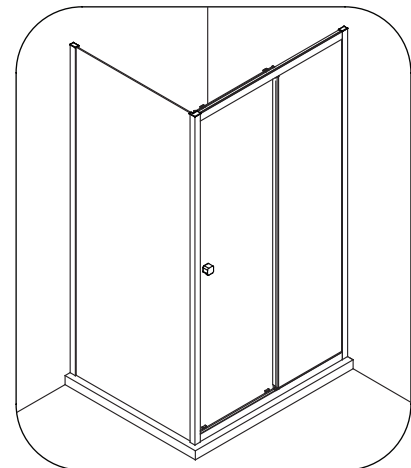
CASLSC1000	CASLBC1400
CASLSC1100	CASLBC1500
CASLSC1200	CASPSC0700
CASLSC1300	CASPSC0760
CASLSC1400	CASPSC0800
CASLSC1500	CASPSC0900
CASLSC1600	CASPSC1000
CASLSC1700	CASPBC0800
CASLBC1200	CASPBC0900

IMPORTANT

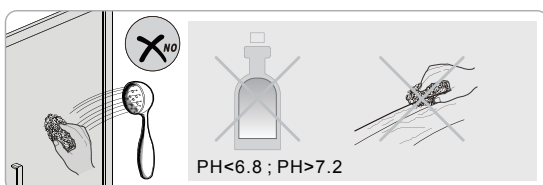
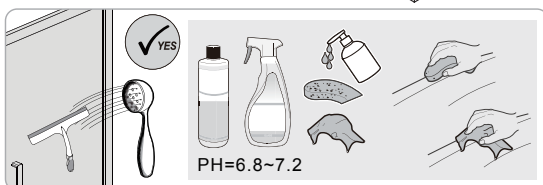
BEFORE STARTING THE INSTALLATION ENSURE ALL THE DOOR SIZE MEASUREMENTS CORRESPOND WITH THE INSTALLATION AREA INCLUDING THE FINISHED TILED/PANELLED WALLS. RETURNS DUE TO INCORRECT SIZING WILL NOT BE ACCEPTED.



SLIDER DOOR IN ALCOVE



SLIDER DOOR & SIDE PANEL



INSTALLATION INSTRUCTIONS

crosswater[®]
SHOWERING

IMPORTANT - Please read before installation

Please read these instructions carefully before starting installation and keep in a safe place for future reference.

Check the contents of the pack carefully before installation. Crosswater will not be held responsible for any de-fit / re-fit costs where faulty product has been fitted.

If any fault is found with materials or workmanship, it must be reported immediately to the manufacturer. Remedial action will be taken, based on information received, on condition that:

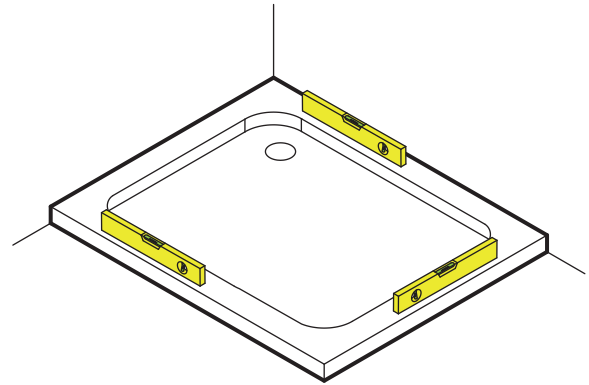
1. Full details are supplied to the manufacturer;
2. The enclosure has not been modified or tampered with;
3. The manufacturer is informed of any damage/shortages prior to installation.

We do not accept responsibility for any problems that may occur through incorrect installation.

The success of the installation and operation of any shower enclosure is, of course, dependant on the squareness, alignment and construction of the walls to which fixing is to be carried out.

VERY IMPORTANT

You must complete all tiling and grouting, and the shower tray **MUST** be level and fully sealed to the tiles before installation. If you do not fit the enclosure onto a tiled surface, or seal the tiles to the tray before installation, water may soak into the wall behind the wall profiles.



INSTALLATION - Advice and safety

These products come with the two wall channels pushed onto each side of the glass panel frame. The side panels do **NOT** come with wall channels, you must use one of the channels from the door.

The installation instructions are based on typical use and conditions.

Please follow the installation instructions relevant to your enclosure.

These hints have been prepared for your guidance, you must exercise due care at all times.

For Health and Safety 2 people must carry out the installation of this enclosure.

Handle glass with care. Although the glass supplied is toughened safety glass (EN12150), impacts can damage both the glass and the frame.

Warning!

Please check for any hidden pipes or cables before drilling holes in the wall.

To stop the drill bit slipping, masking tape can be applied to the tiles when preparing the holes.

When using power tools always follow the manufacturers user instructions.

Do not sit the enclosure on a bed of silicone, as this will also stop any water from draining back into the tray.

DO NOT SEAL THE ENCLOSURE TO THE TRAY ON THE INSIDE.

If the enclosure is sealed to the tray on the inside, any water that may get into the framework will not be able to drain back into the tray, this may cause the enclosure to leak.

Leave the silicone sealant to dry for 24 hours before using the enclosure.

CARE AND CLEANING

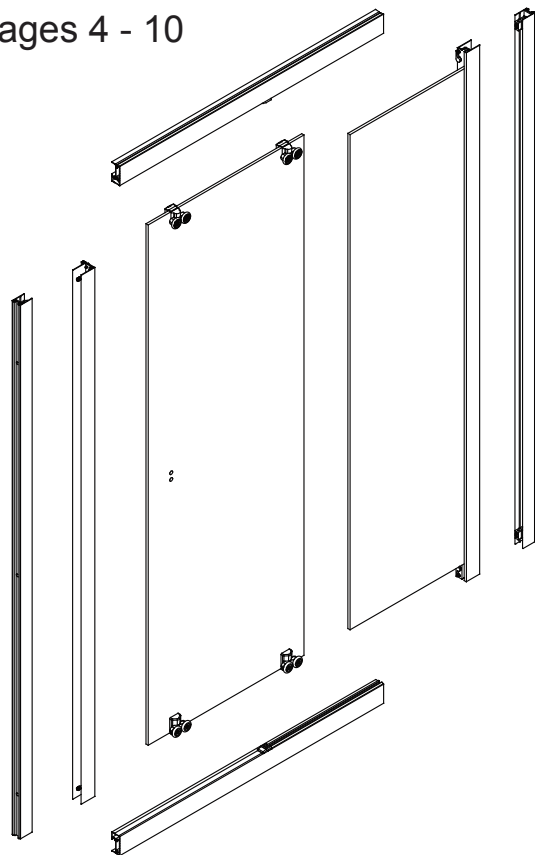
Do not use solvents or abrasive material or chemicals to clean the enclosure.

Only clean using soapy water and a soft cloth, rinse thoroughly afterwards.

CONTENTS

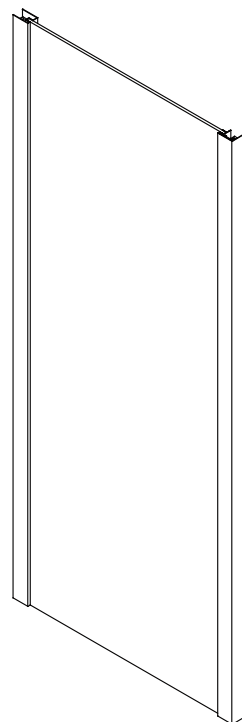
DOOR IN ALCOVE

See pages 4 - 10



DOOR & SIDE PANEL

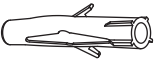
See pages 11 - 17



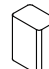
A  M4 *40mm Screw x 6

B  M4 *30mm Screw x 4


C  M4 *20mm Screw x 4

D  Wall Plug x 6

E  Cover x 3

F  Filler x 2

G  Cover x 4

H  Waterproof strip x 1

I  Waterproof strip x 1

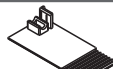
J  Waterproof strip x 1

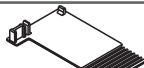
K  Handle x 1

L  Sleeve x 1

M  Spanner x 1


N  Top Cap(LH) x 1

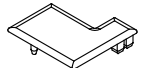
O  Top Cap(RH) x 1

P  Top Cap(LH) x 1

AA  M4 *20mm Screw x 1

AB  Adjustment block x 1

AC  Top Cap x 1

AD  Top Cap(LH) x 1

AE  Top Cap(RH) x 1

AF  Filler x 2

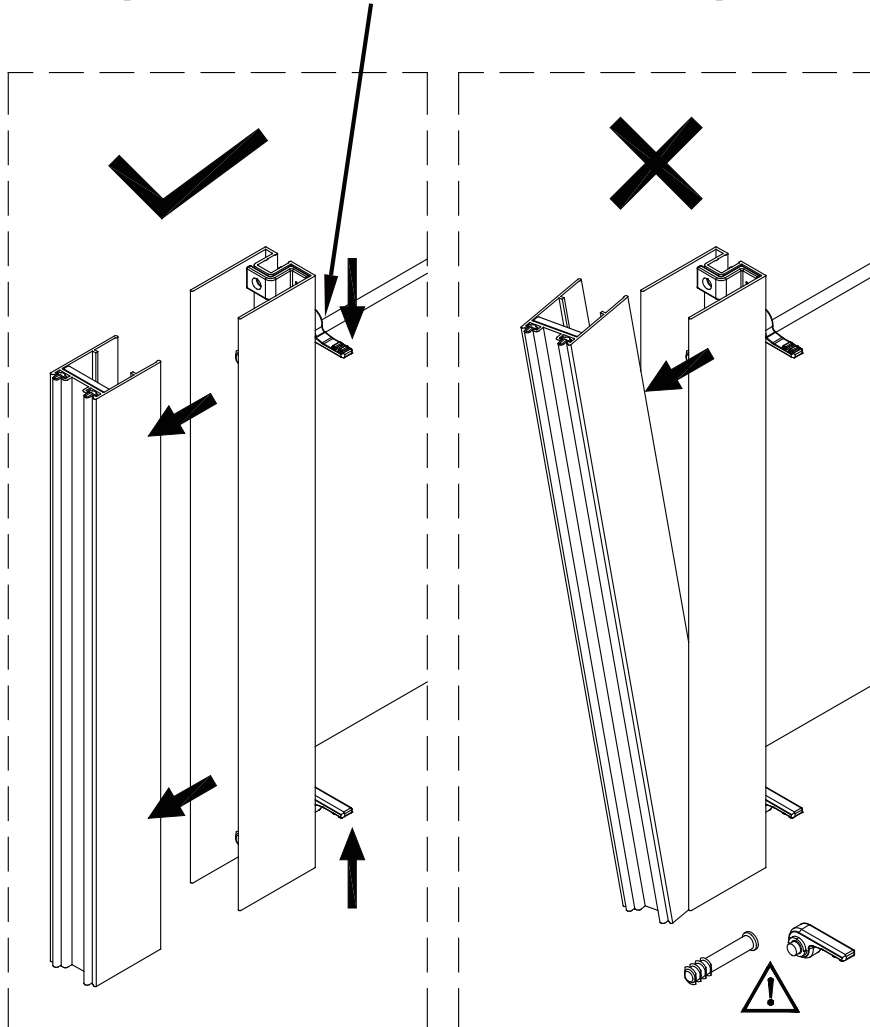
Q  Top Cap(RH) x 1

Tools and equipment needed

Drill, 6mm Masonry drill bit, Philips screwdriver, Spirit level, Pencil, Tape measure, Silicone sealant.

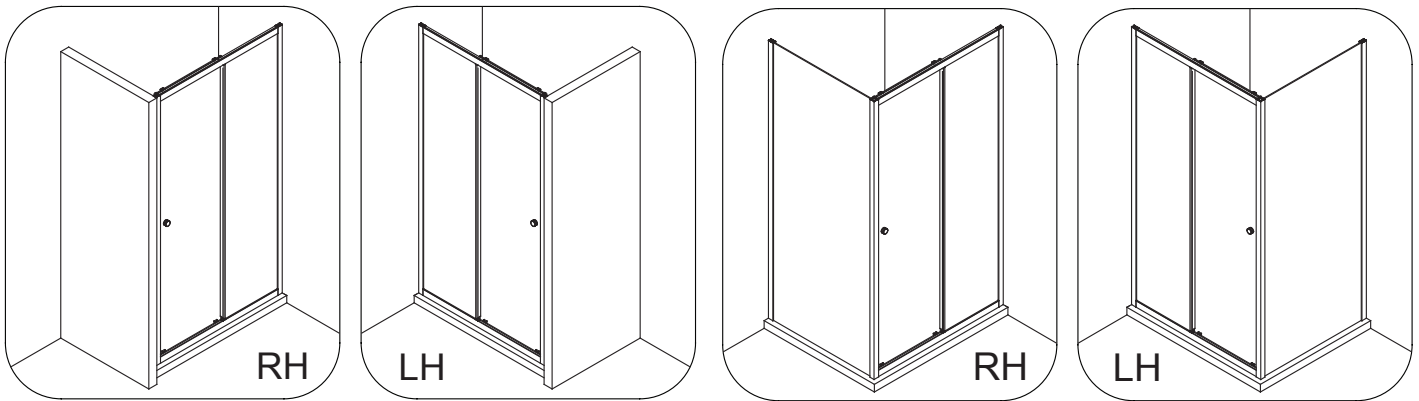


Before removing the wall profile for installation please ensure the locking pin lever is in a horizontal position.



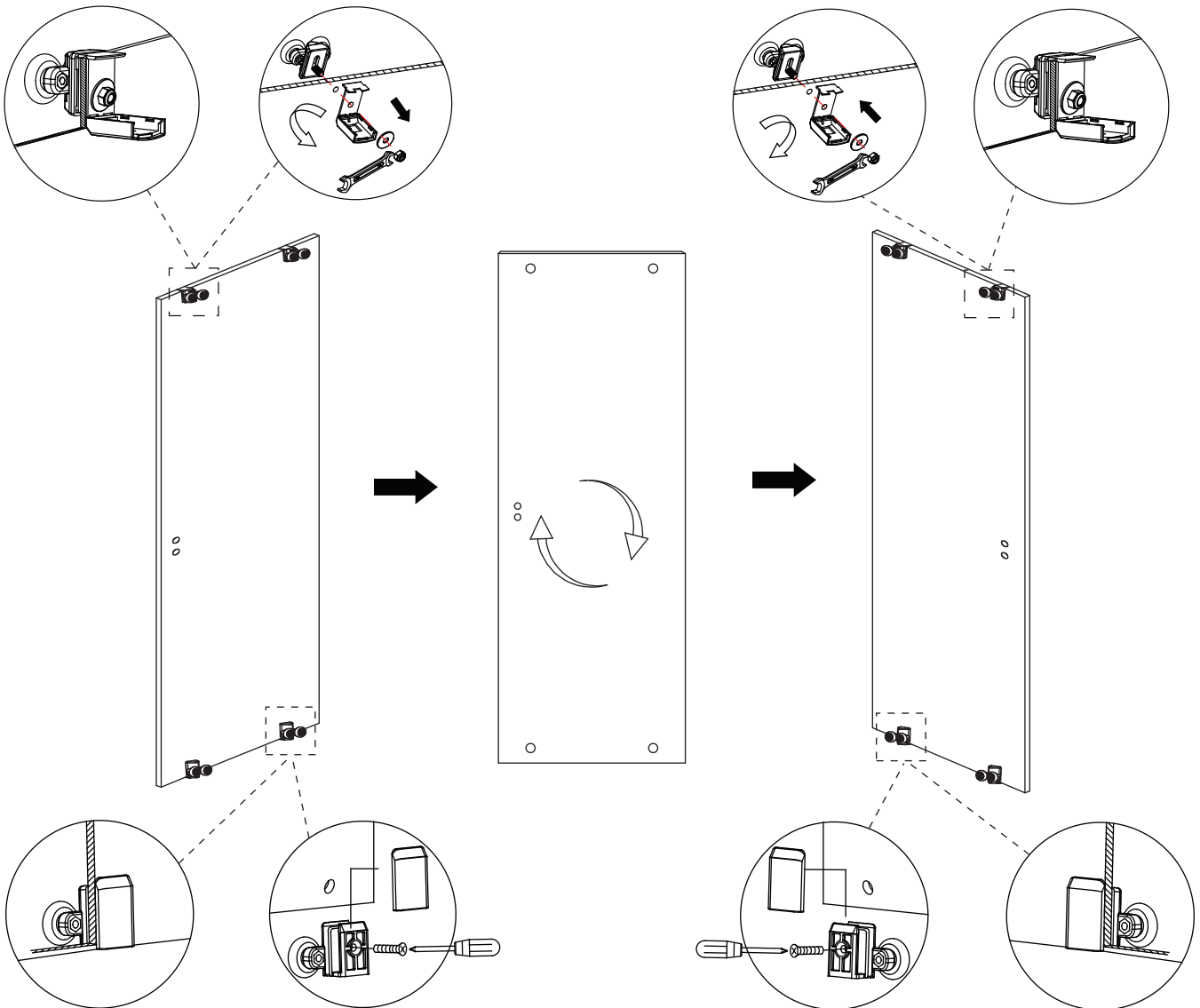
CAUTION

THE WALL PROFILE MUST BE REMOVED PARALLEL FROM BOTH ENDS AT THE SAME TIME



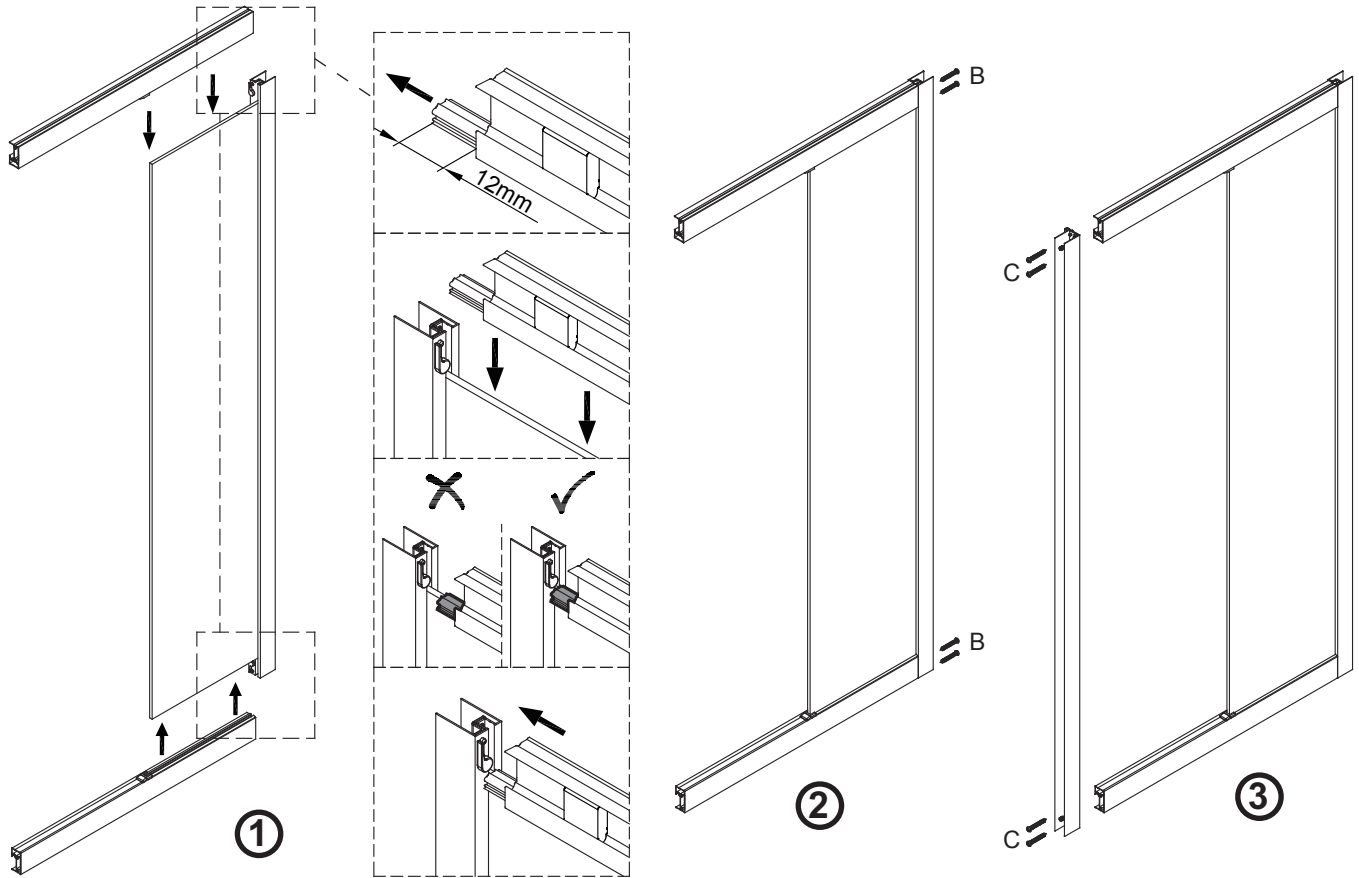
The Slider shower enclosure is reversible for left or right hand fitting. Installation of the enclosure is RH, You just ignore the diagram below. For the LH installation, the diagram below should be followed.

- 1: Disassemble the top and bottom roller using the tool (M).
- 2: Turn the glass up side down.
- 3: Reinstall the top and bottom roller.

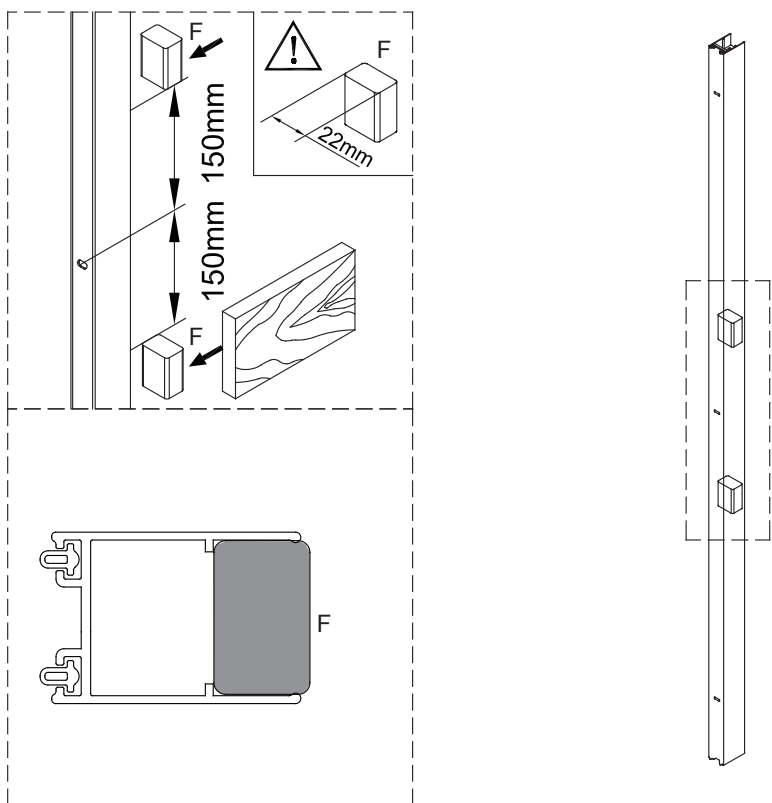


SLIDER DOOR IN ALCOVE

Step 1



Step 2

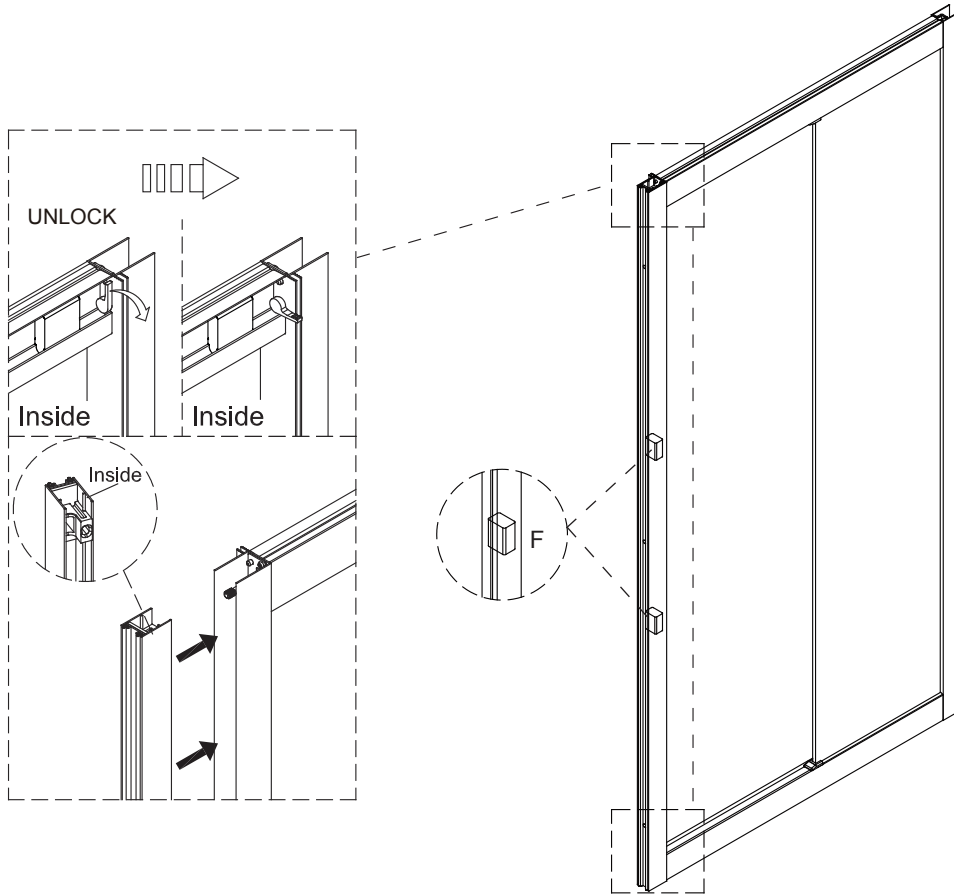


Step 3

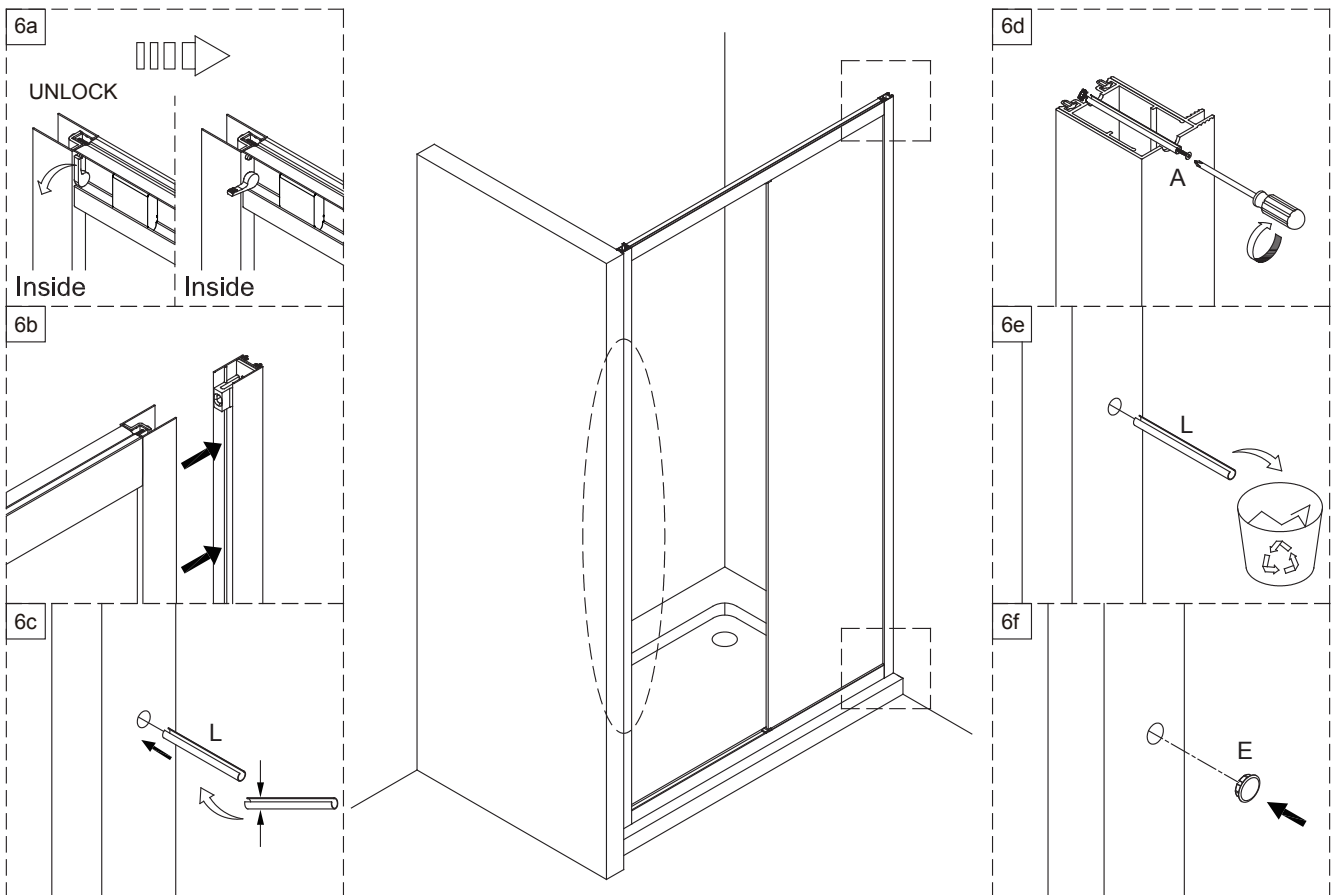
Model	A (mm)	Model	A (mm)
CASLSC1000	960-990	CASLSC1600	1560-1590
CASLSC1100	1060-1090	CASLSC1700	1660-1690
CASLSC1200	1160-1190	CASLBC1200	1160-1190
CASLSC1300	1260-1290	CASLBC1400	1360-1390
CASLSC1400	1360-1390	CASLBC1500	1460-1490
CASLSC1500	1460-1490		

Step 4

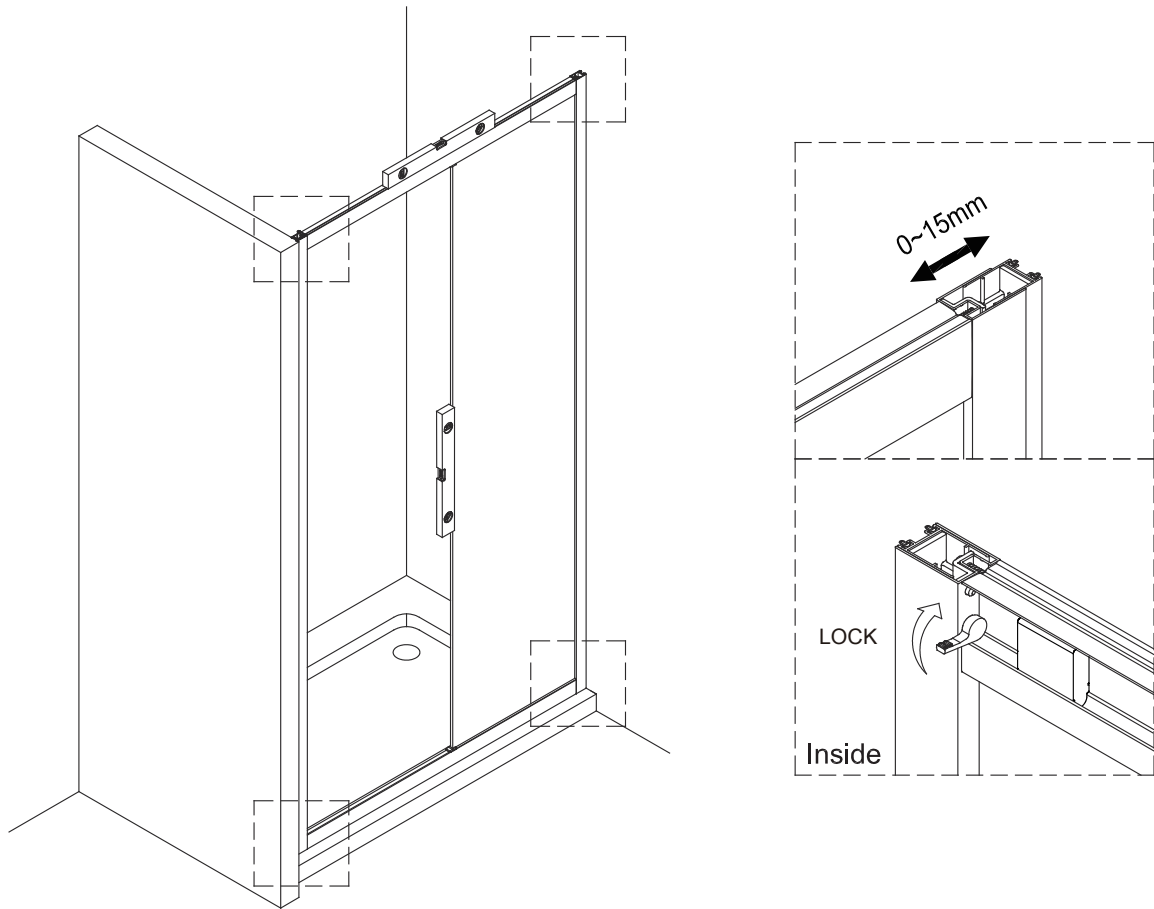
Step 5



Step 6

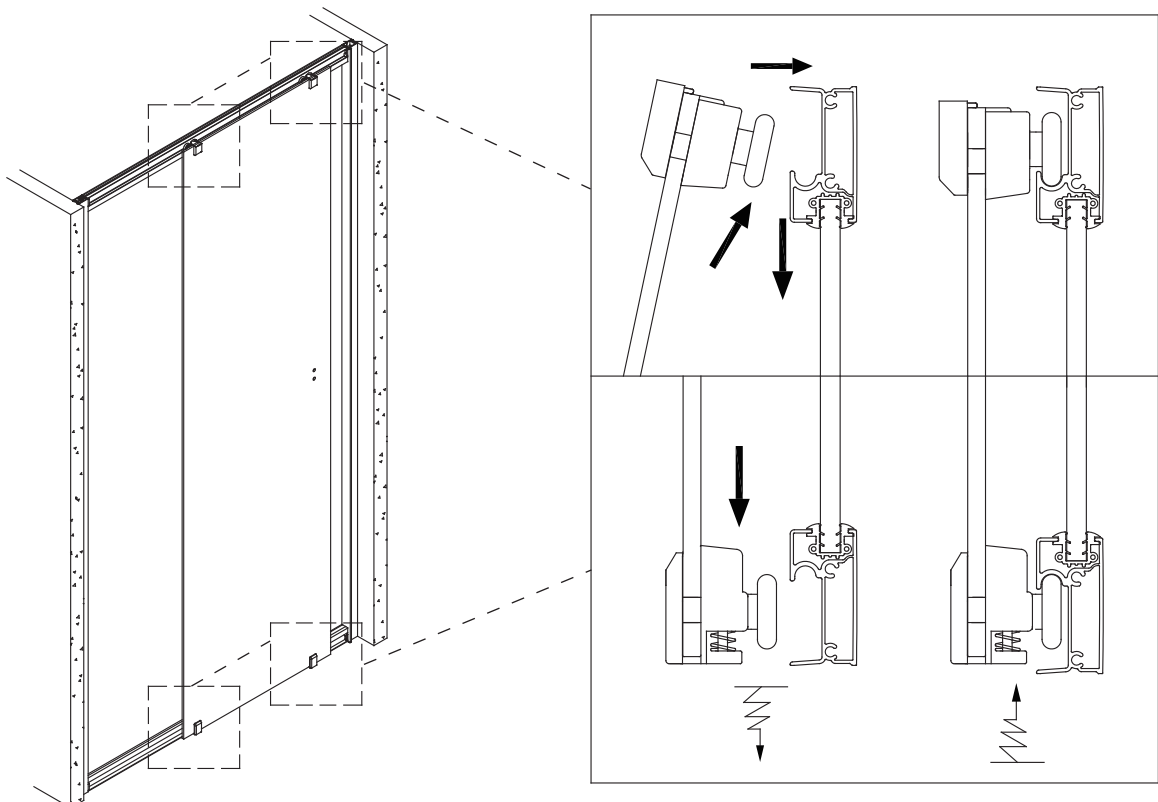


Step 7

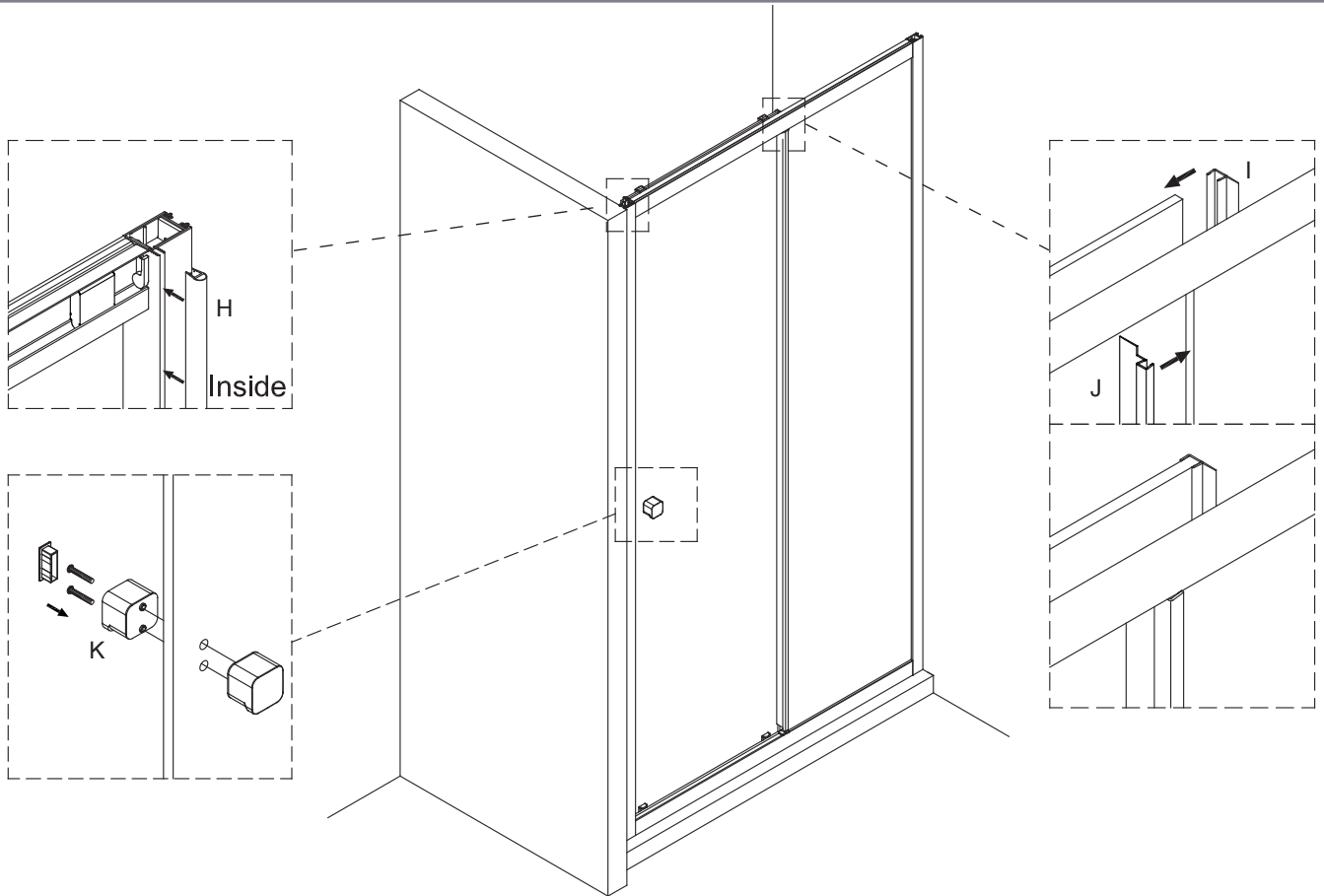


Step 8

First mount the top roller to the track, then press down the bottom roller and locate into the bottom track.

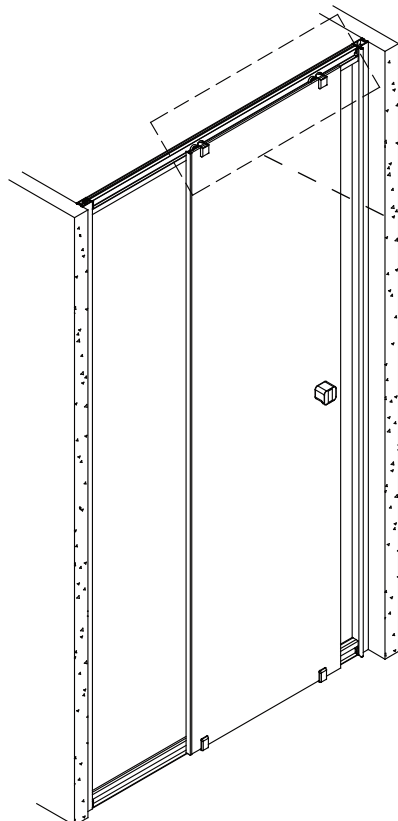


Step 9



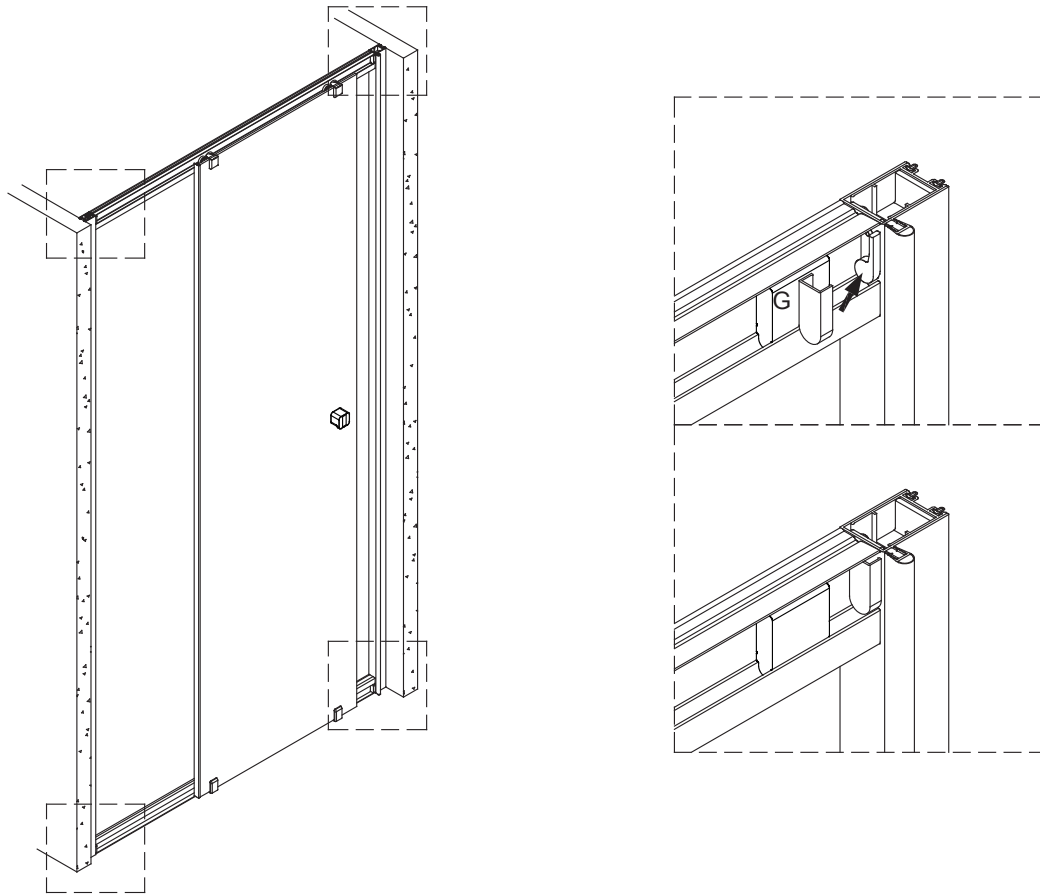
Step 10

Please check that if the sliding door is skew it will not work correctly. Loosen the top roller and adjust the sliding door. The nut of top roller must be tighten after having the sliding door adjusted vertically.

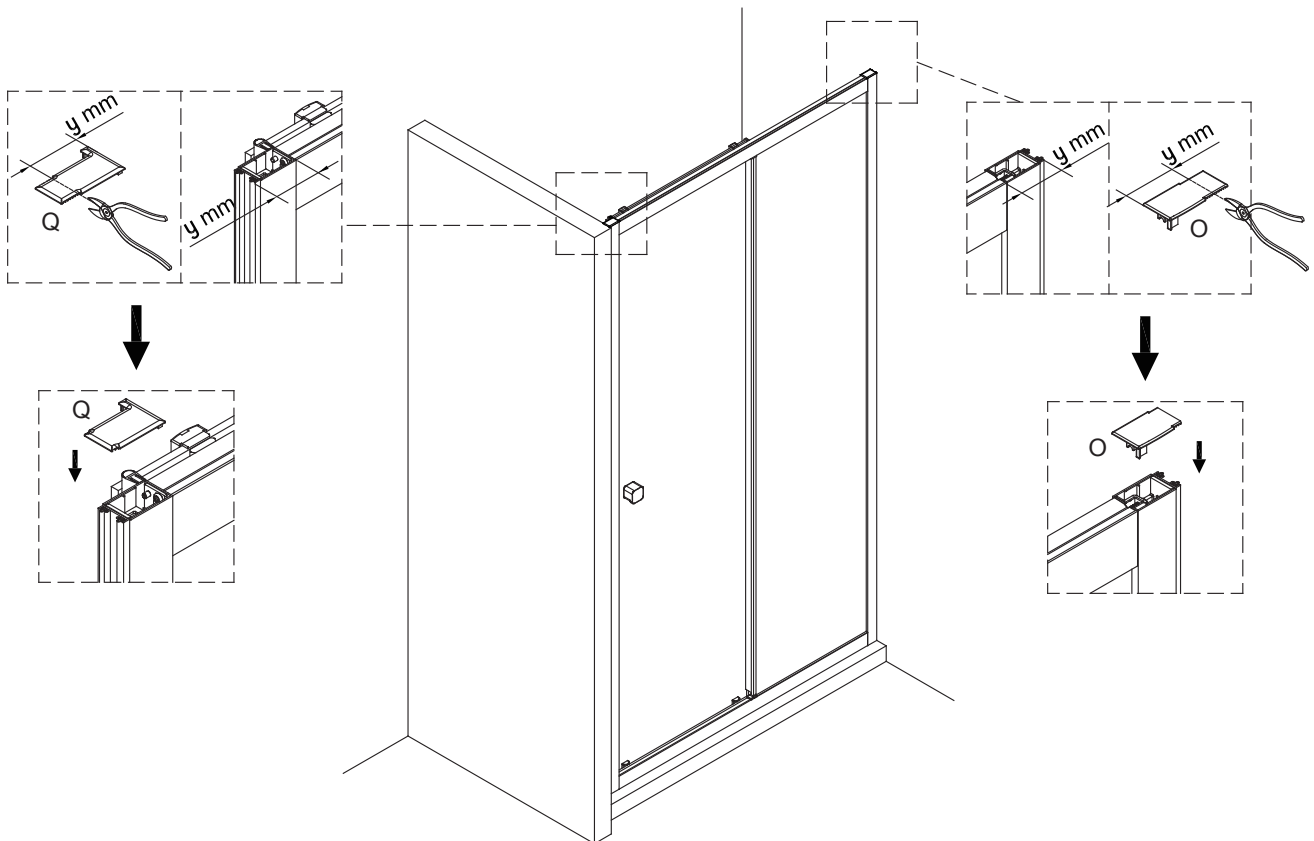


Problem	Resolution
X	
✓	

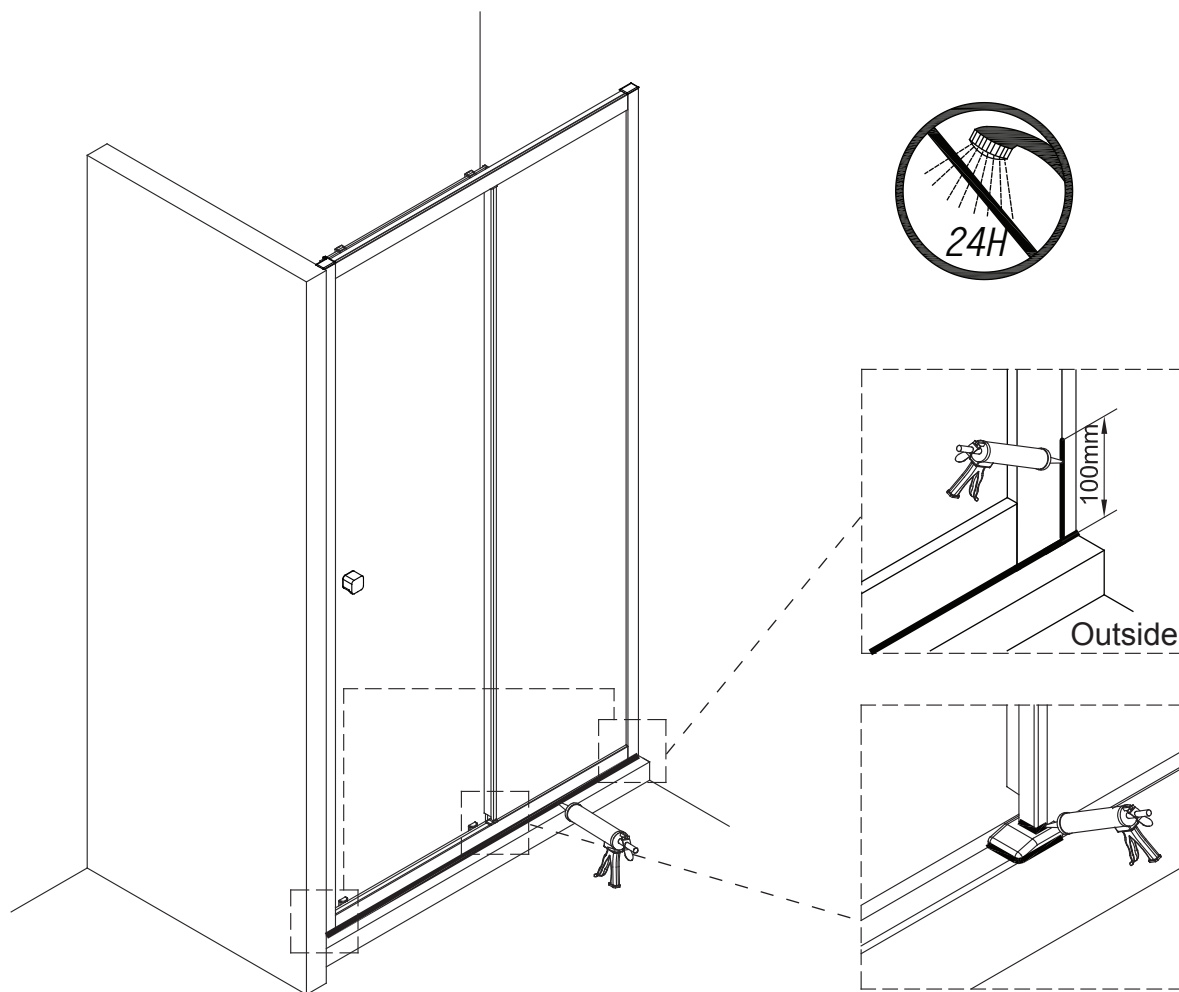
Step 11



Step 12

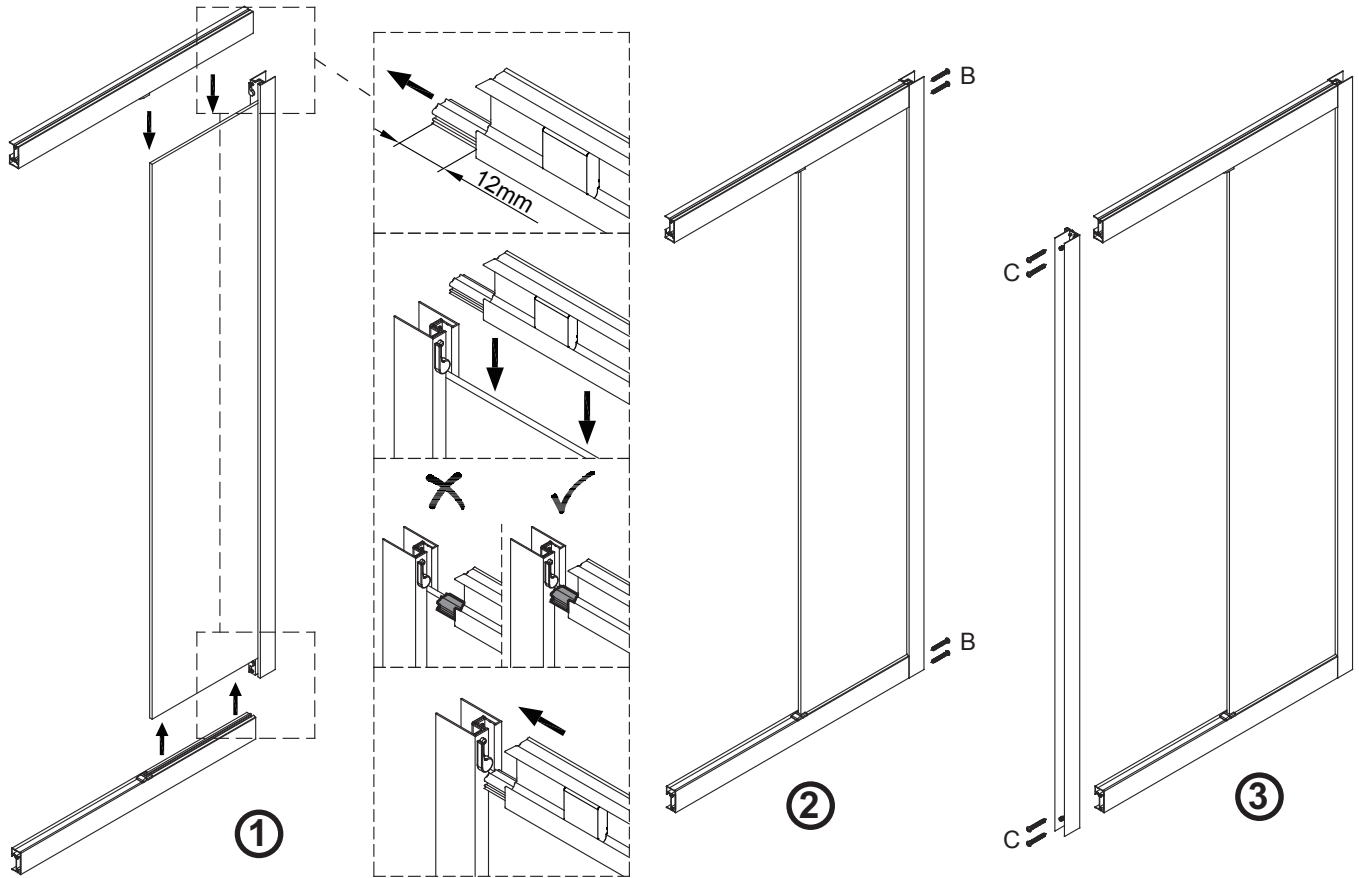


Step 13

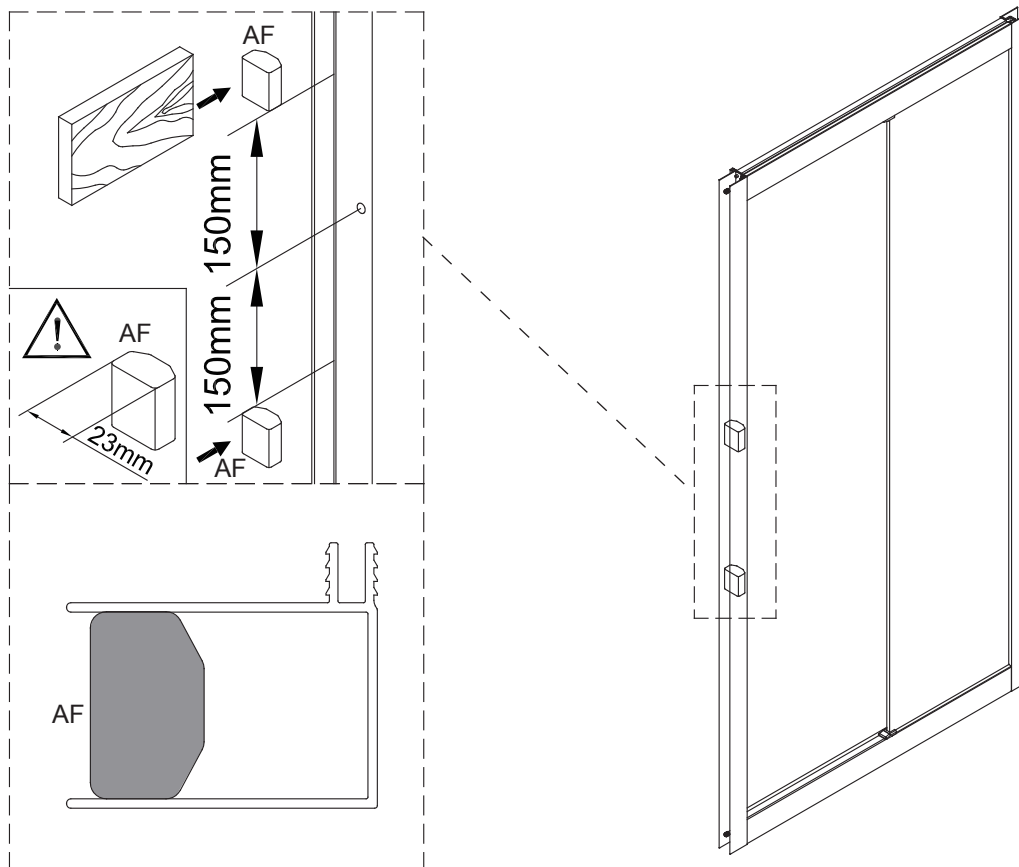


SLIDER & SIDE PANEL

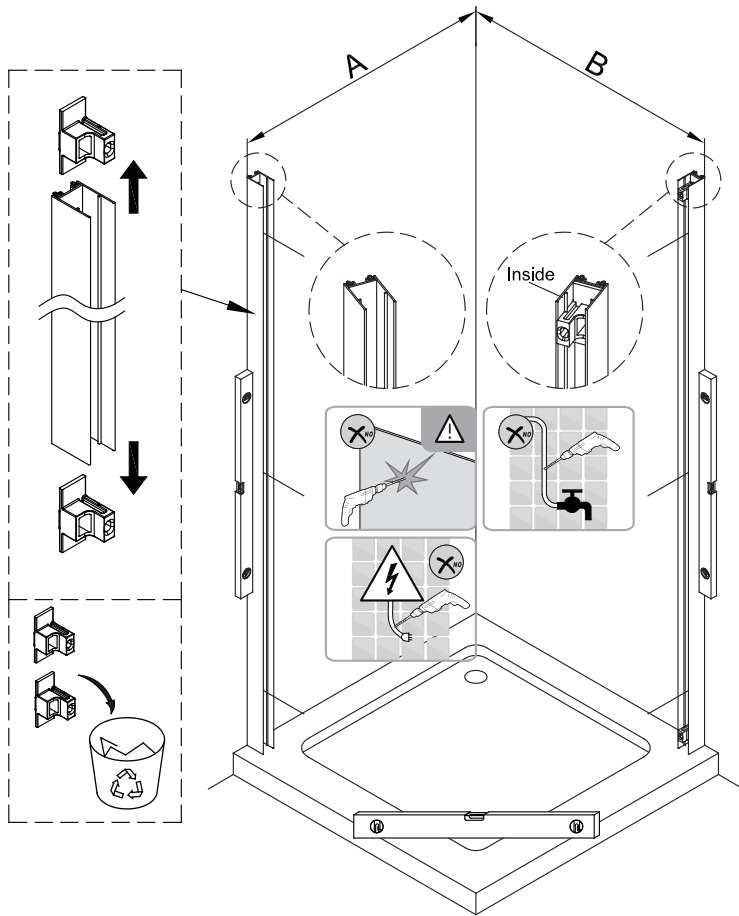
Step 1



Step 2

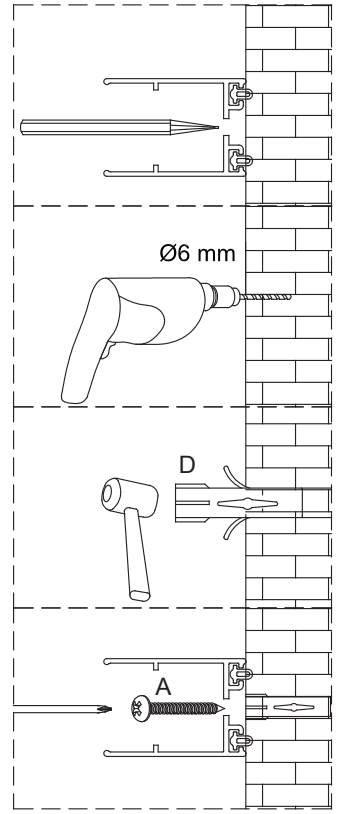


Step 3

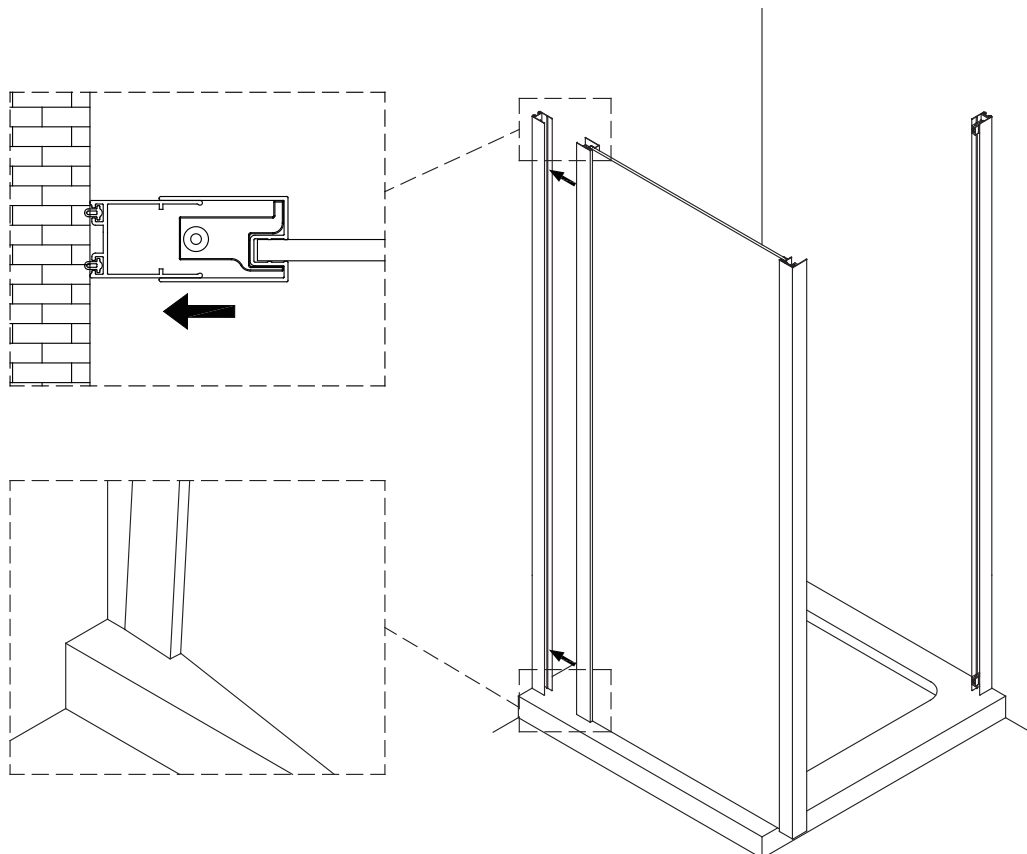


Model	A (mm)
CASLSC1000	960-975
CASLSC1100	1060-1075
CASLSC1200	1160-1175
CASLSC1300	1260-1275
CASLSC1400	1360-1375
CASLSC1500	1460-1475
CASLSC1600	1560-1575
CASLSC1700	1660-1675
CASLBC1200	1160-1175
CASLBC1400	1360-1375
CASLBC1500	1460-1475

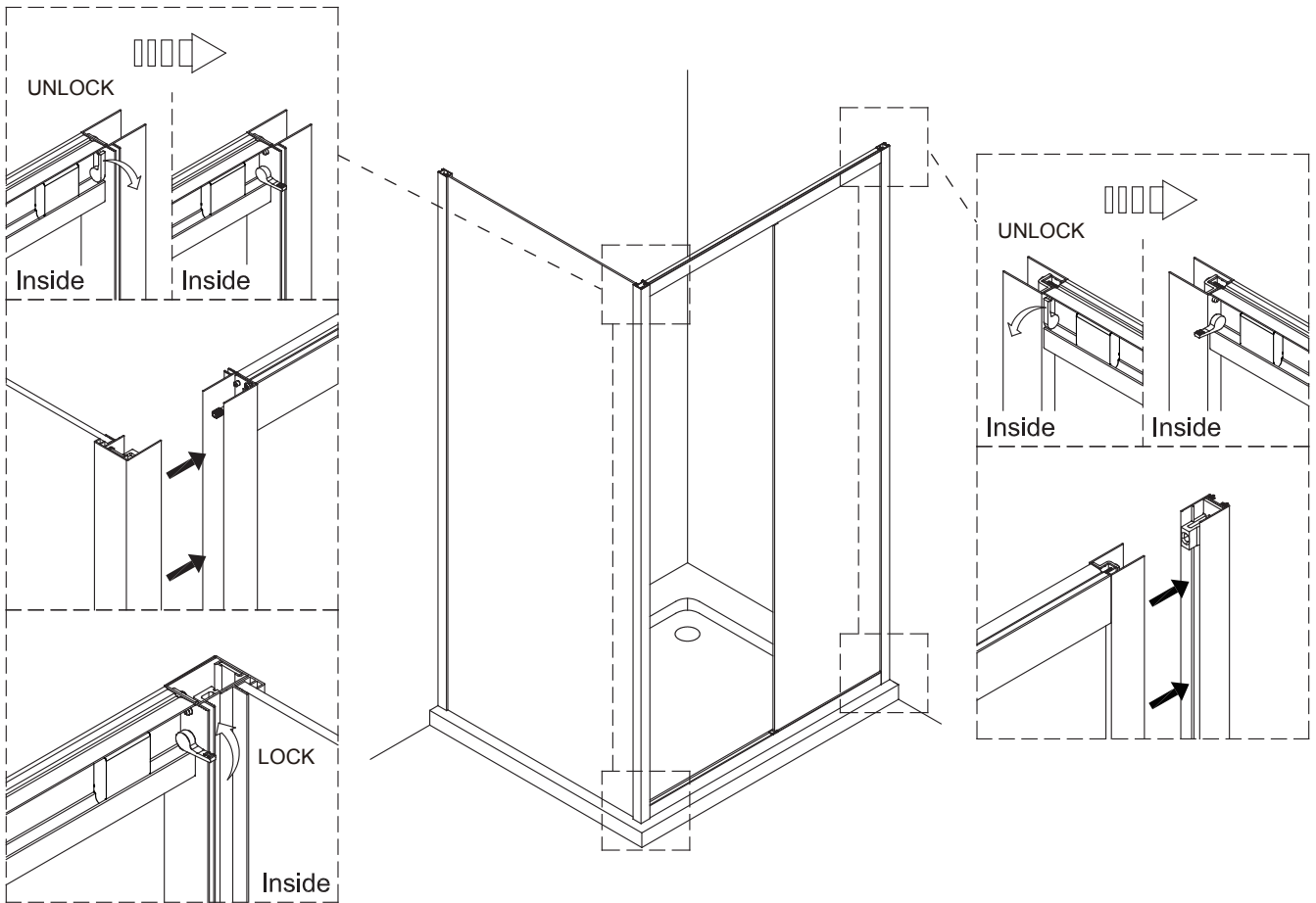
Model	B (mm)
CASPSC0700	673-688
CASPSC0760	733-748
CASPSC0800	773-788
CASPSC0900	873-888
CASPSC1000	973-988
CASPBC0800	773-788
CASPBC0900	873-888



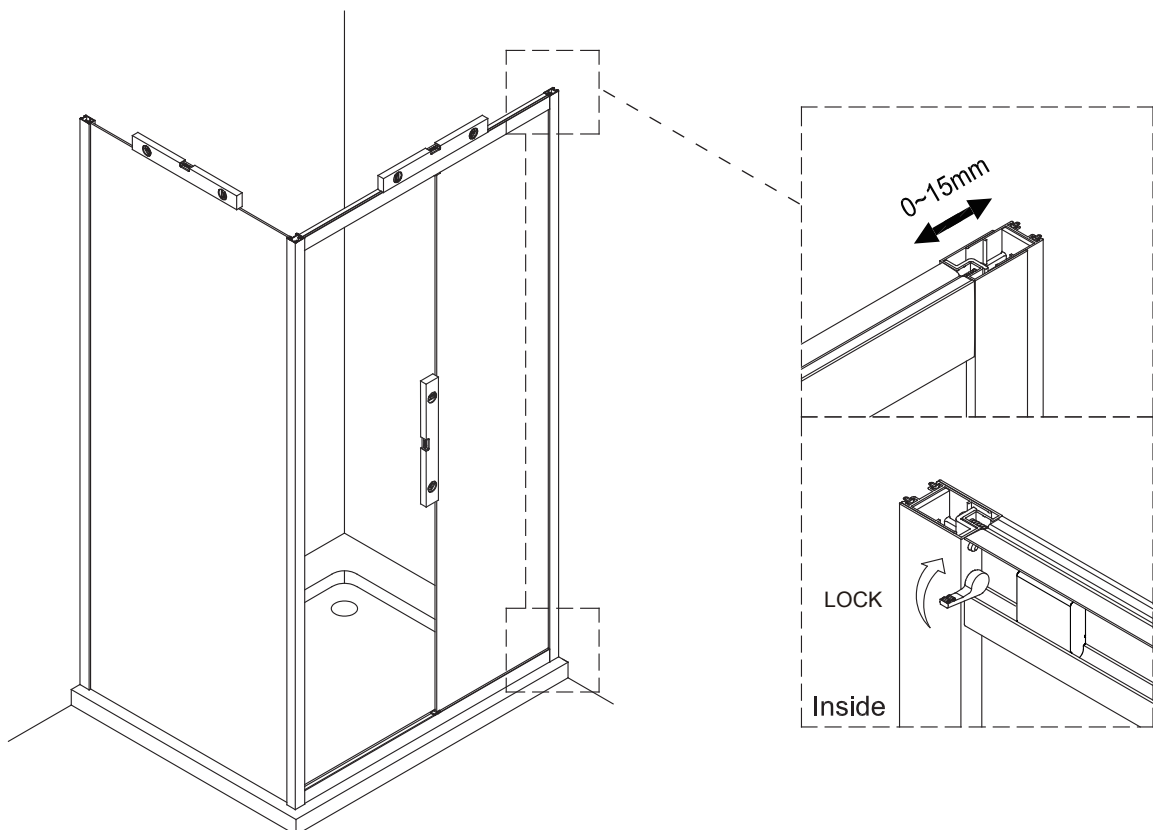
Step 4



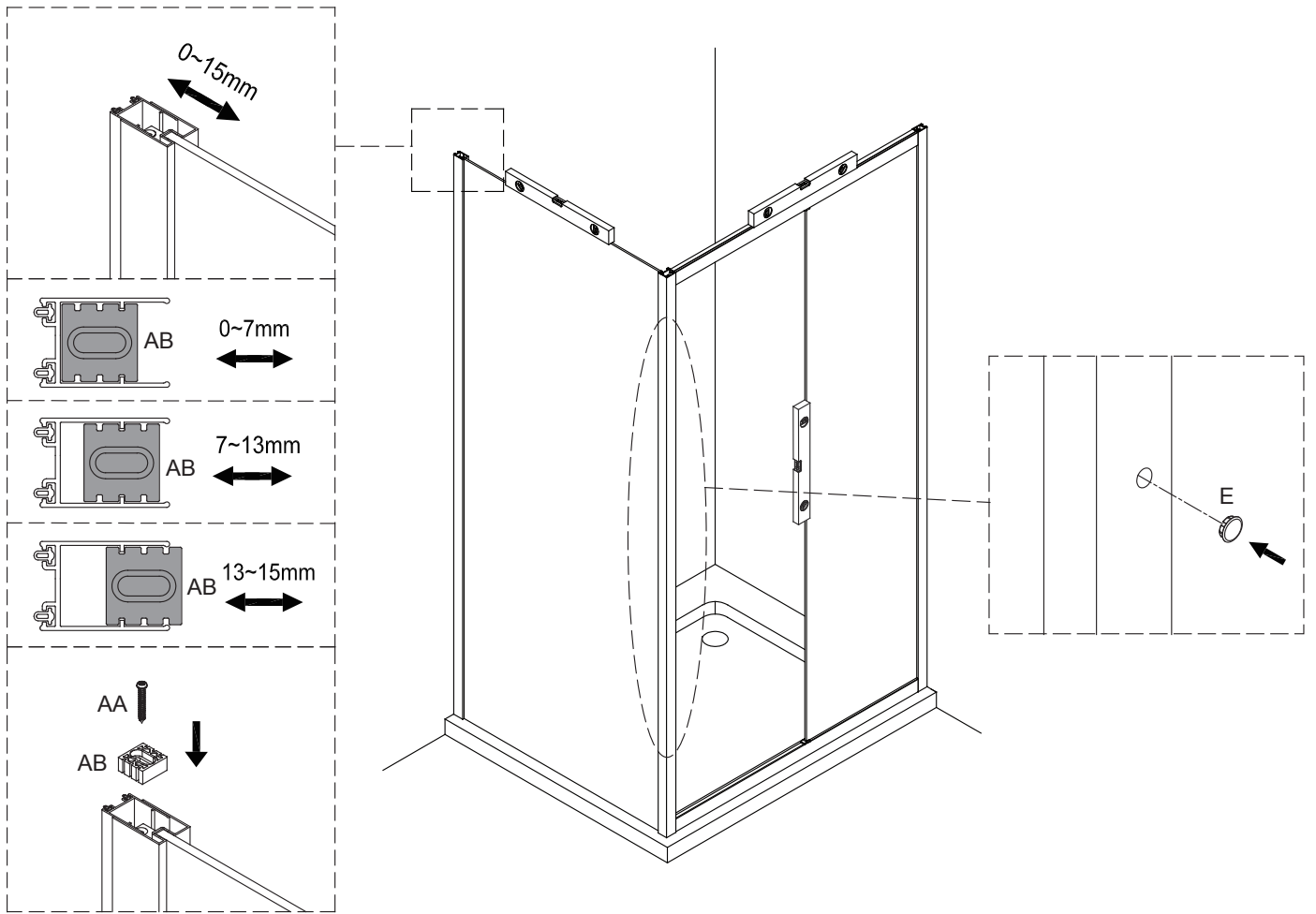
Step 5



Step 6

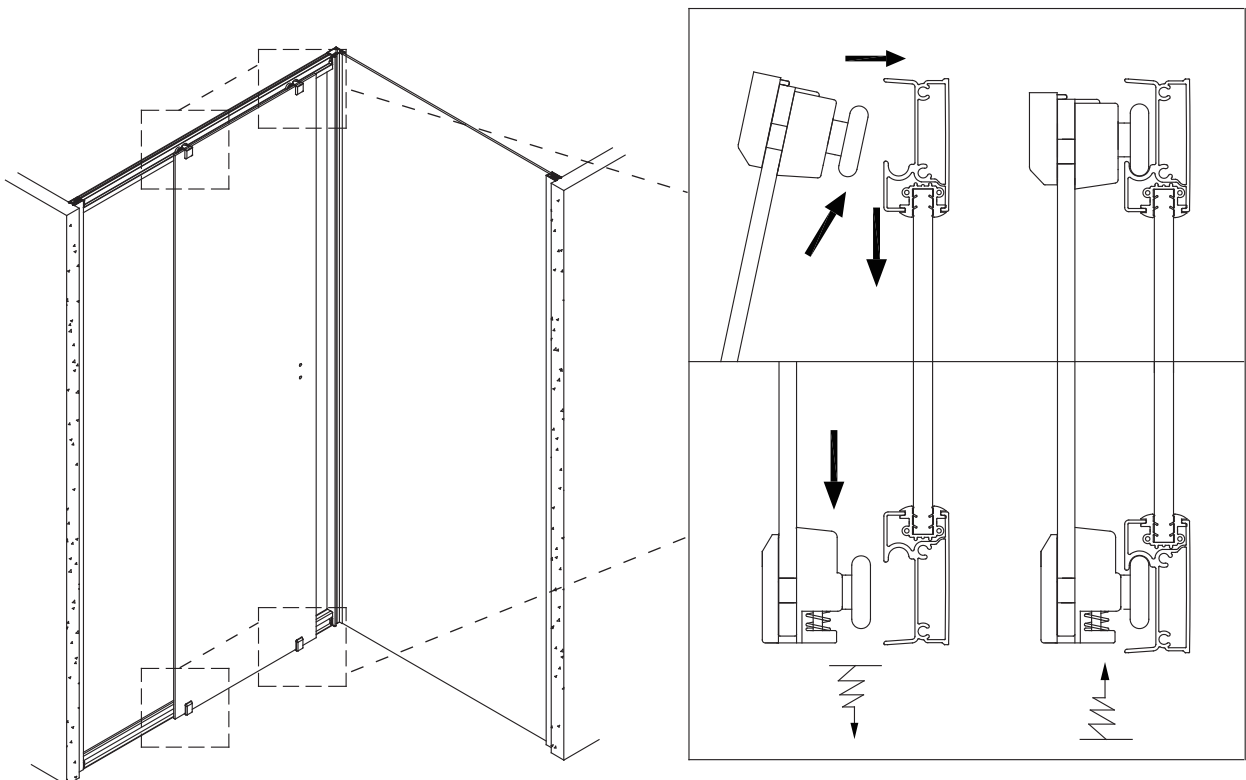


Step 7

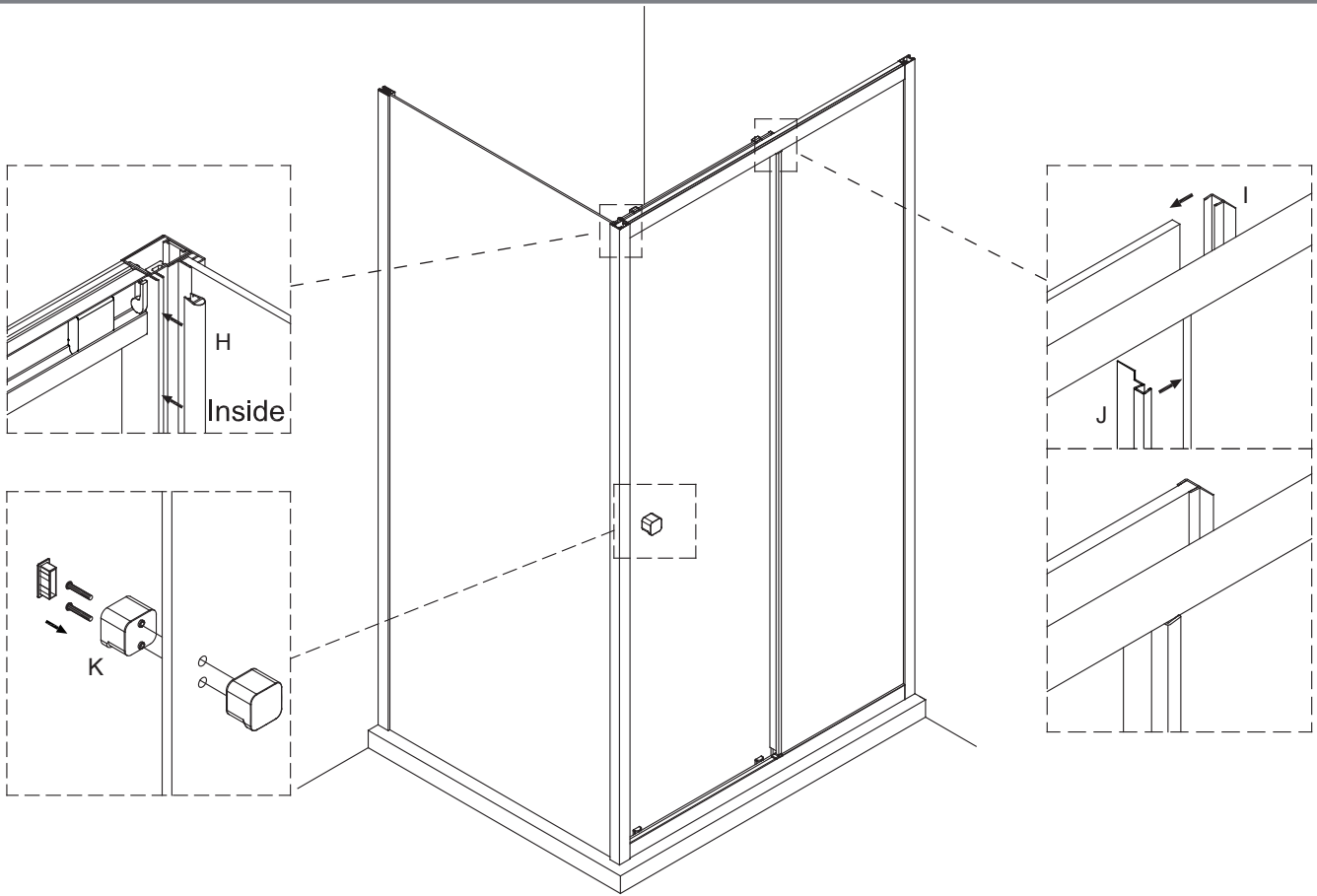


Step 8

First mount the top roller to the track, then press down the bottom roller to make it into the bottom track.

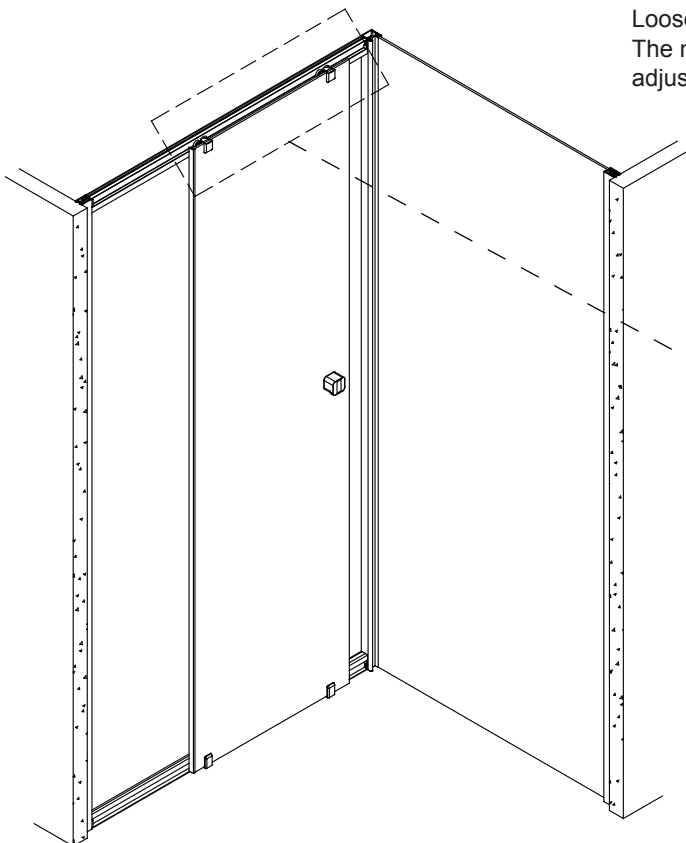


Step 9



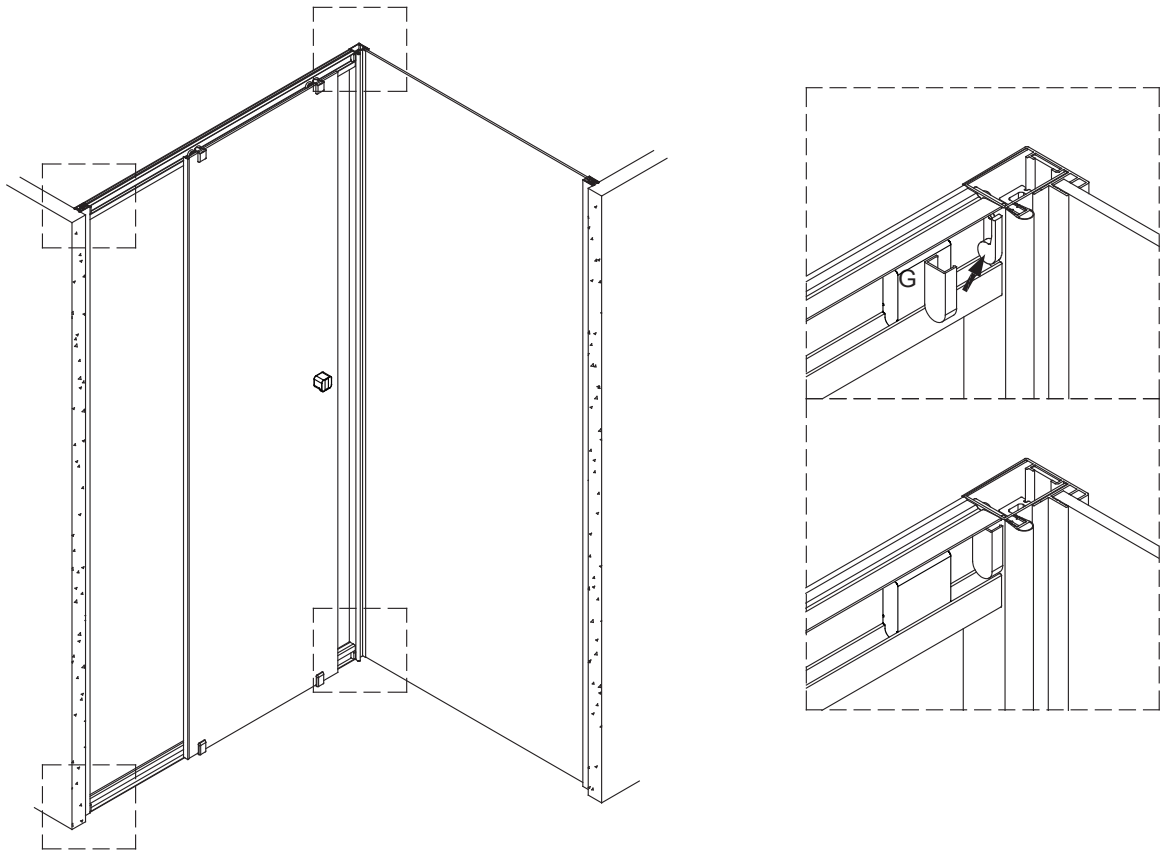
Step 10

Please check that if the sliding door is skew it will not work correctly. Loosen the top roller and adjust the sliding door. The nut of top roller must be tighten after having the sliding door adjusted vertically.

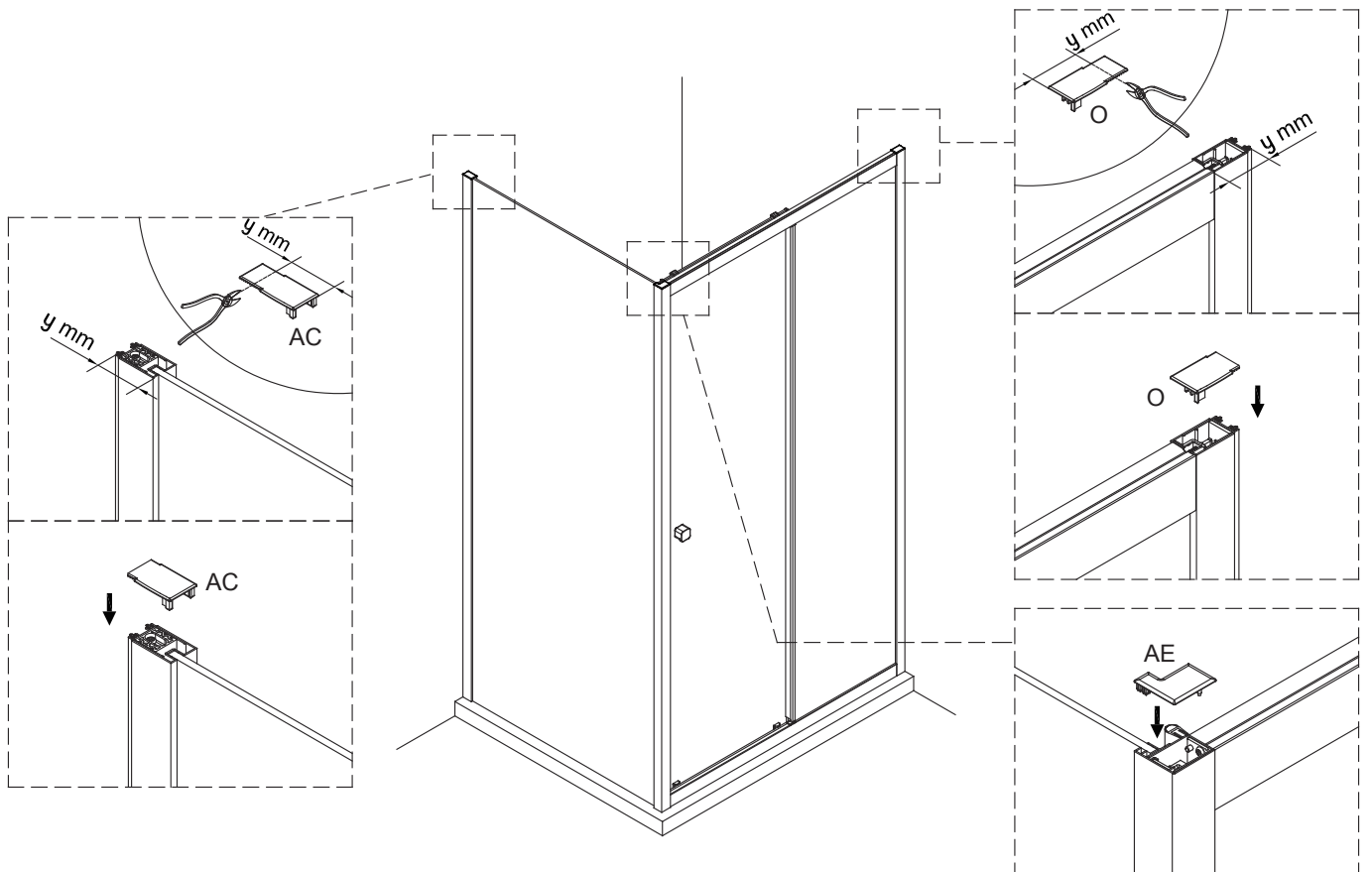


Problem	Resolution

Step 11



Step 12



Step 13

