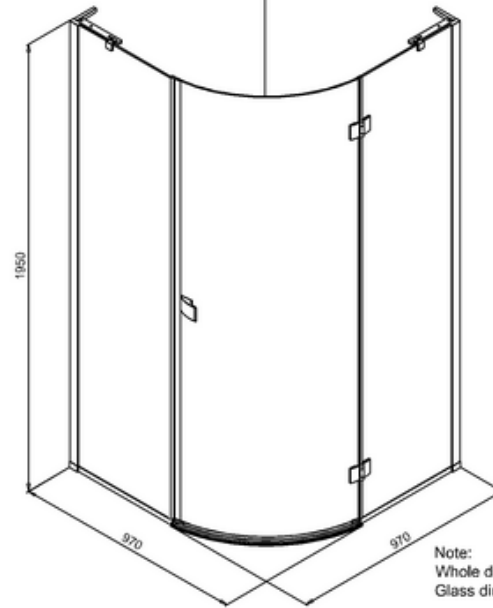
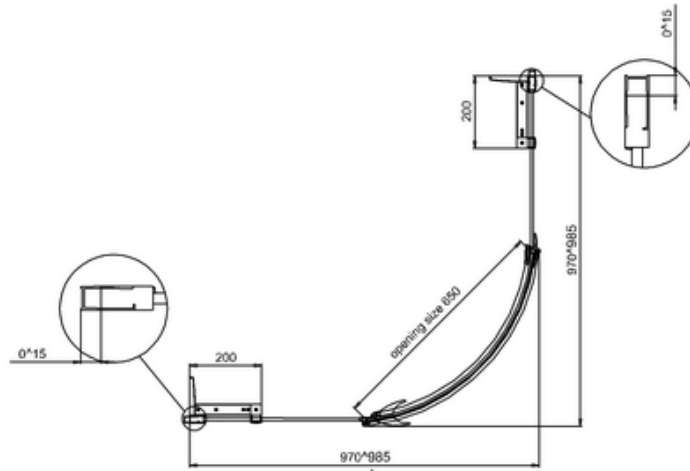


DQSSC1000A+ - Curved Quad with Single Door 1000mm Box A



Note:
Whole dimension tolerance is ± 5 .
Glass dimension tolerance is ± 2 .