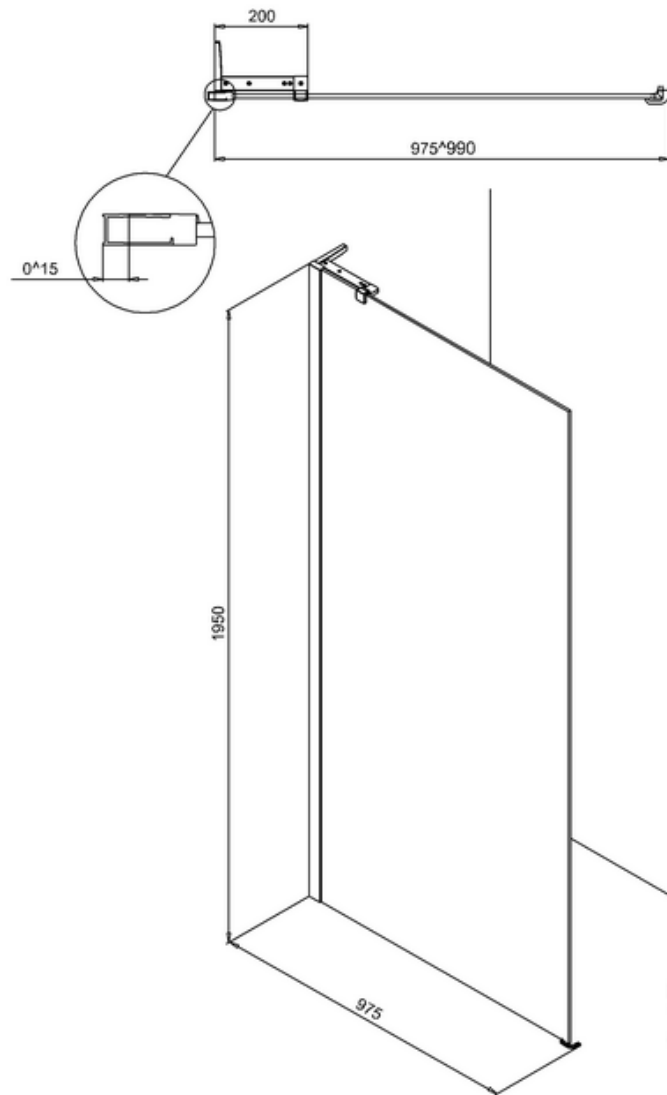


DSPSC1000+ - Side panel 1000mm



Note:
Whole dimension tolerance is ± 5 .
Glass dimension tolerance is ± 2 .